



US00D511816S

(12) **United States Design Patent**
Kulig

(10) **Patent No.:** **US D511,816 S**
(45) **Date of Patent:** **** Nov. 22, 2005**

(54) **FAUCET**

(75) **Inventor:** **Zbigniew Kulig**, Milwaukee, WI (US)

(73) **Assignee:** **Graff Faucets**, Milwaukee, WI (US)

(**) **Term:** **14 Years**

(21) **Appl. No.:** **29/220,197**

(22) **Filed:** **Dec. 28, 2004**

(51) **LOC (8) Cl.** **23-01**

(52) **U.S. Cl.** **D23/242; D23/241; D23/238**

(58) **Field of Search** **D23/238-257;**
4/675-678; 137/801

(56) **References Cited**

U.S. PATENT DOCUMENTS

D233,235 S	*	10/1974	Arbon	D23/238
D301,056 S	*	5/1989	Paul	D23/242
D310,865 S	*	9/1990	Strignano	D23/241
D325,773 S	*	4/1992	Paul	D23/255
D493,210 S	*	7/2004	Citterio	D23/238

OTHER PUBLICATIONS

Kulig, et al., U.S. Appl. No. 29/200,364, filed Feb. 16, 2004, entitled *Faucet*.

Kulig, et al., U.S. Appl. No. 29/203,606, filed Apr. 16, 2004, entitled *Faucet Body*.

* cited by examiner

Primary Examiner—Louis S. Zarfes

Assistant Examiner—Gregory Andoll

(74) *Attorney, Agent, or Firm*—Boyle Fredrickson
Newholm Stein & Gratz S.C.

(57) **CLAIM**

The ornamental design for a faucet, as shown and described.

DESCRIPTION

FIG. 1 is perspective view of a faucet incorporating my new design, viewed from in front of, above, and from the left side of the faucet;

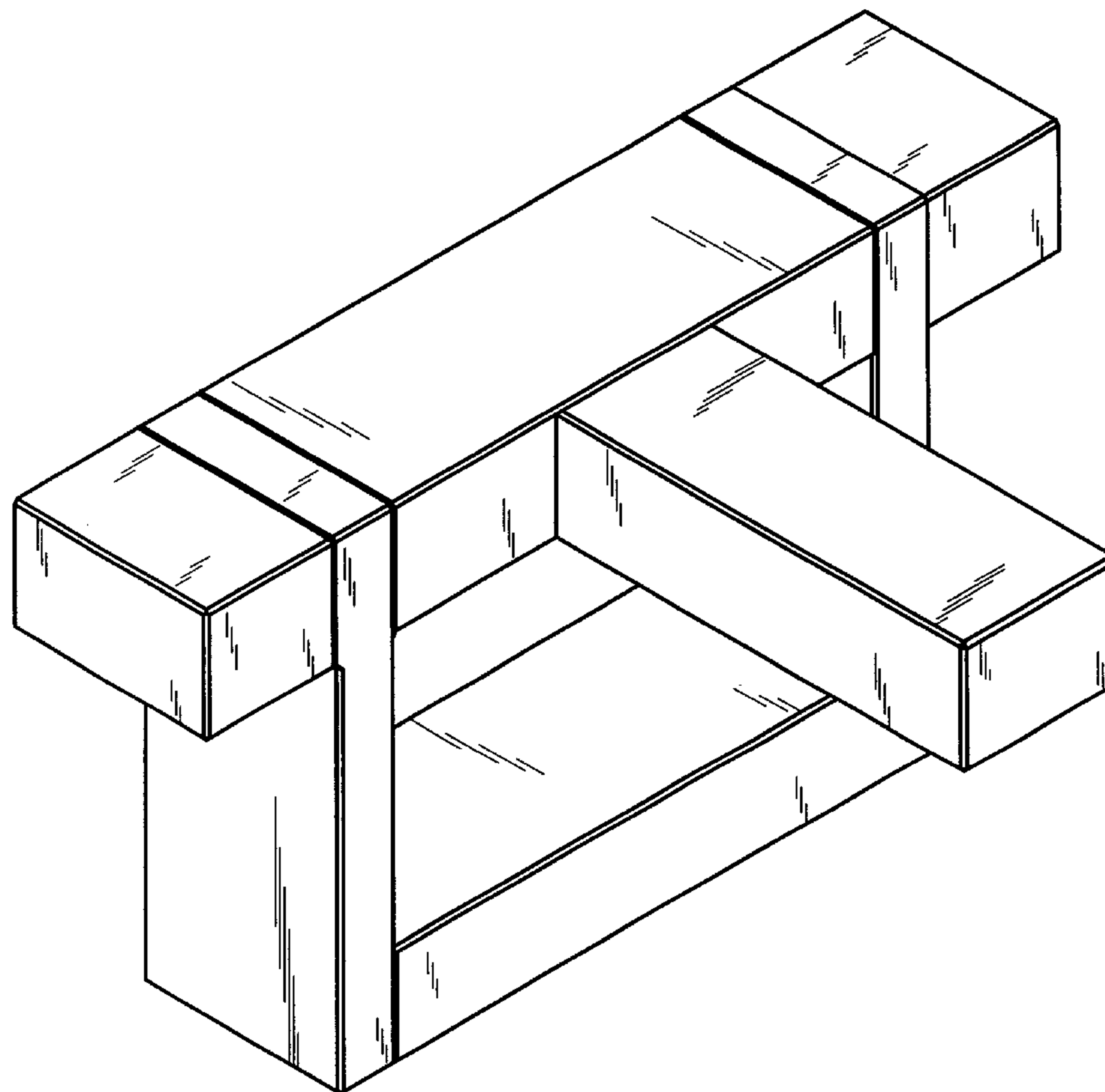
FIG. 2 is a front elevation view thereof;

FIG. 3 is a rear elevation view thereof;

FIG. 4 is a top plan view thereof; and,

FIG. 5 is a right-side elevation view thereof with the left side being a mirror image of the right side.

1 Claim, 6 Drawing Sheets



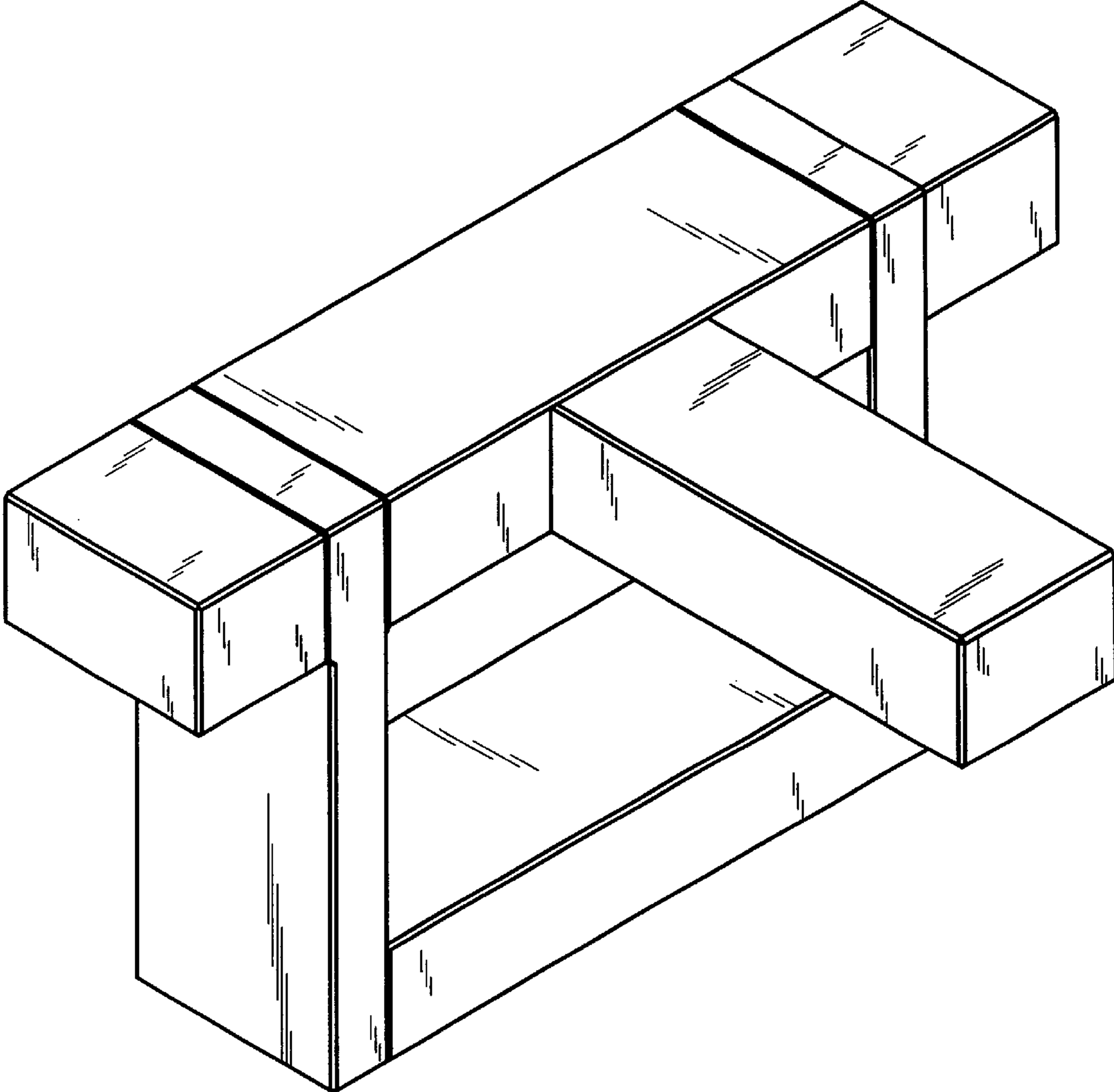


FIG. 1

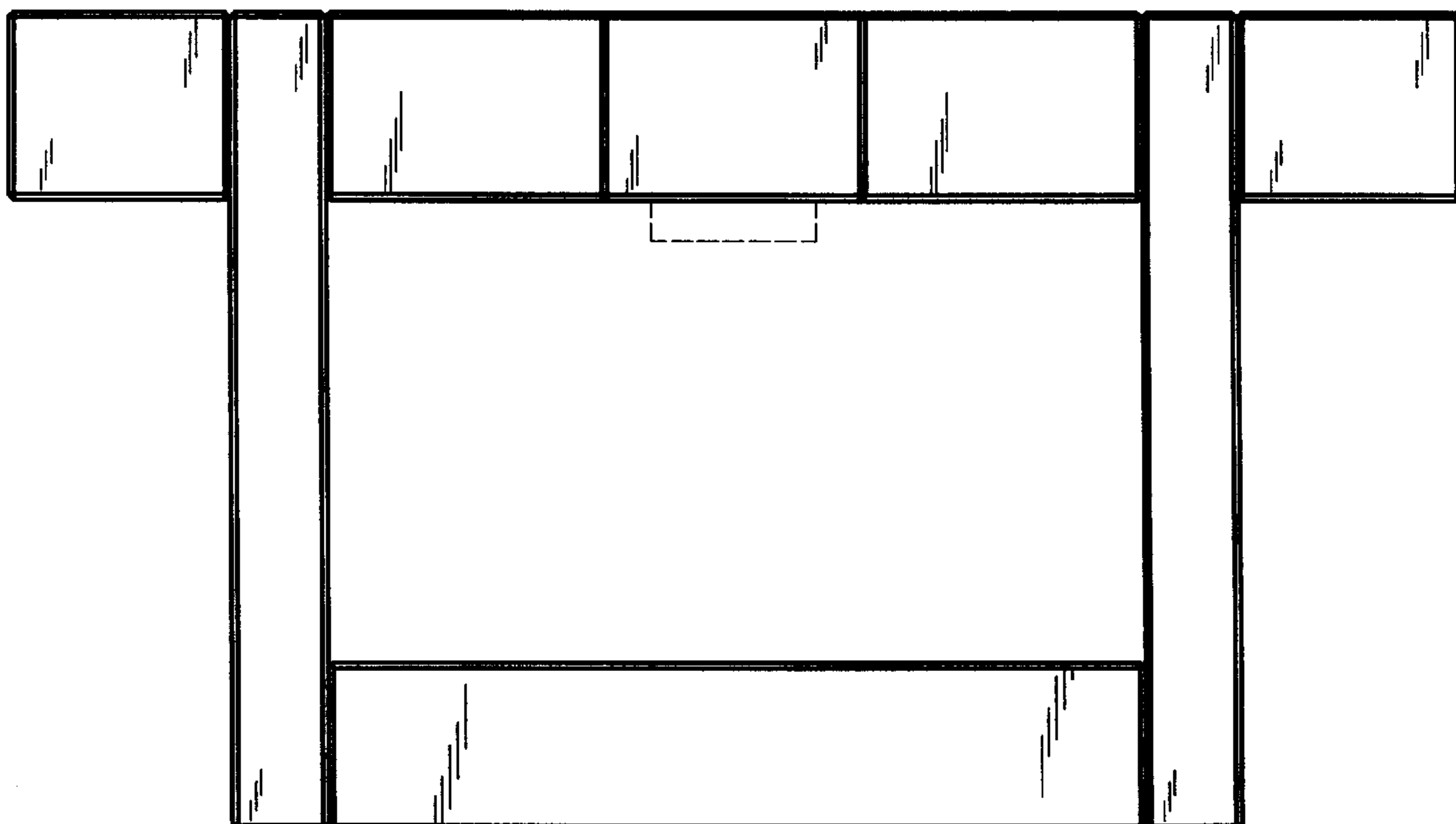


FIG. 2

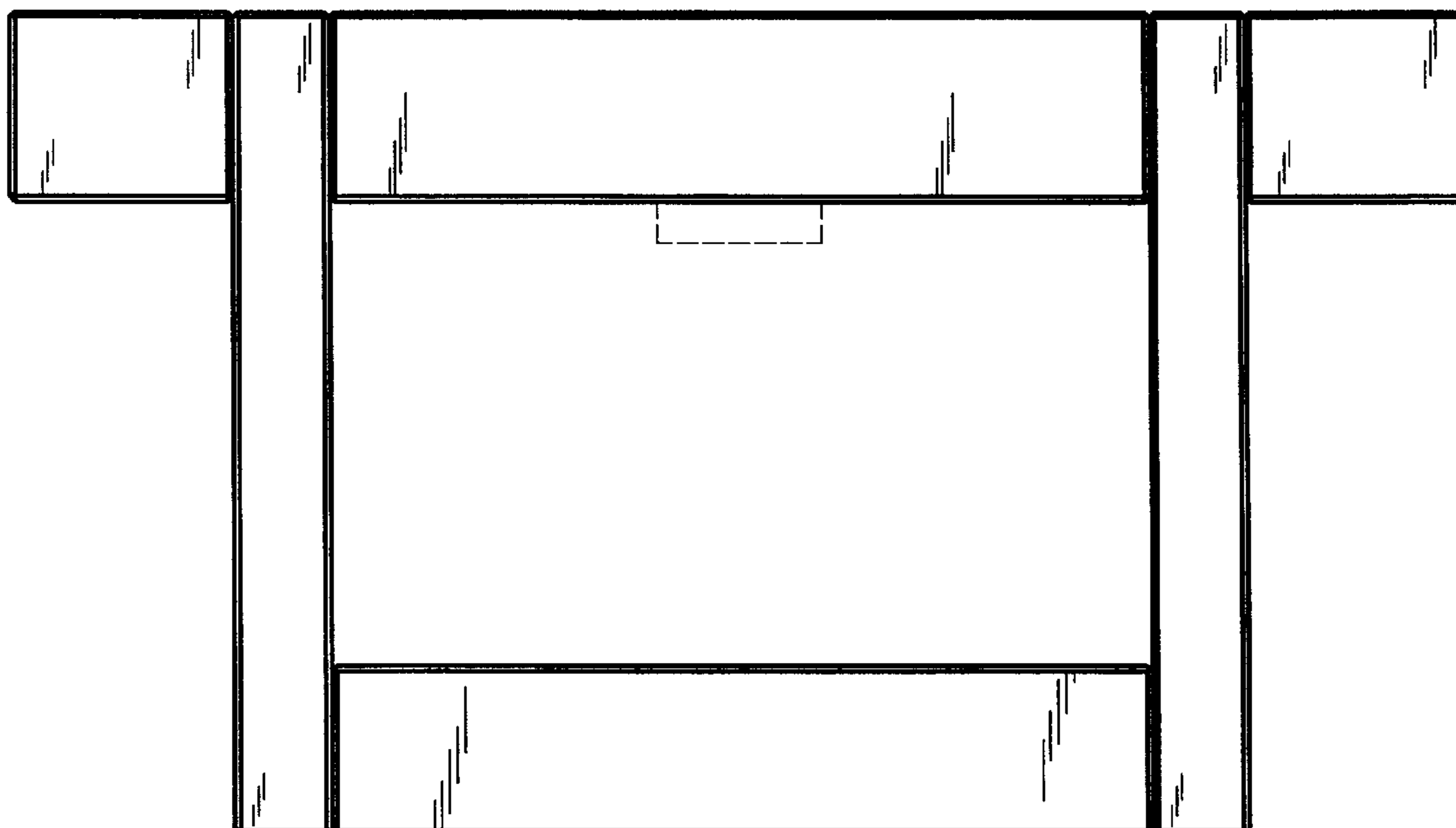


FIG. 3

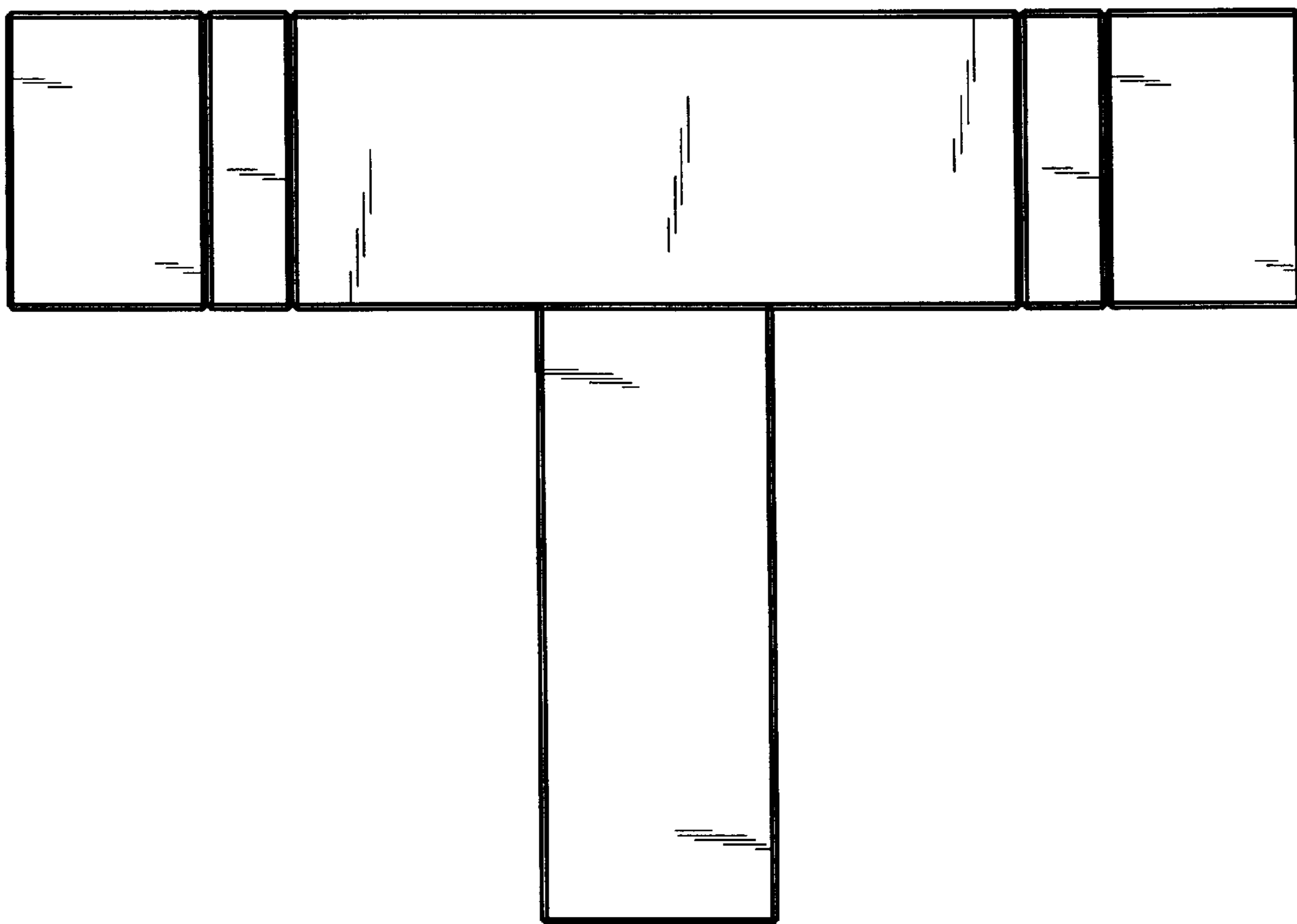


FIG. 4

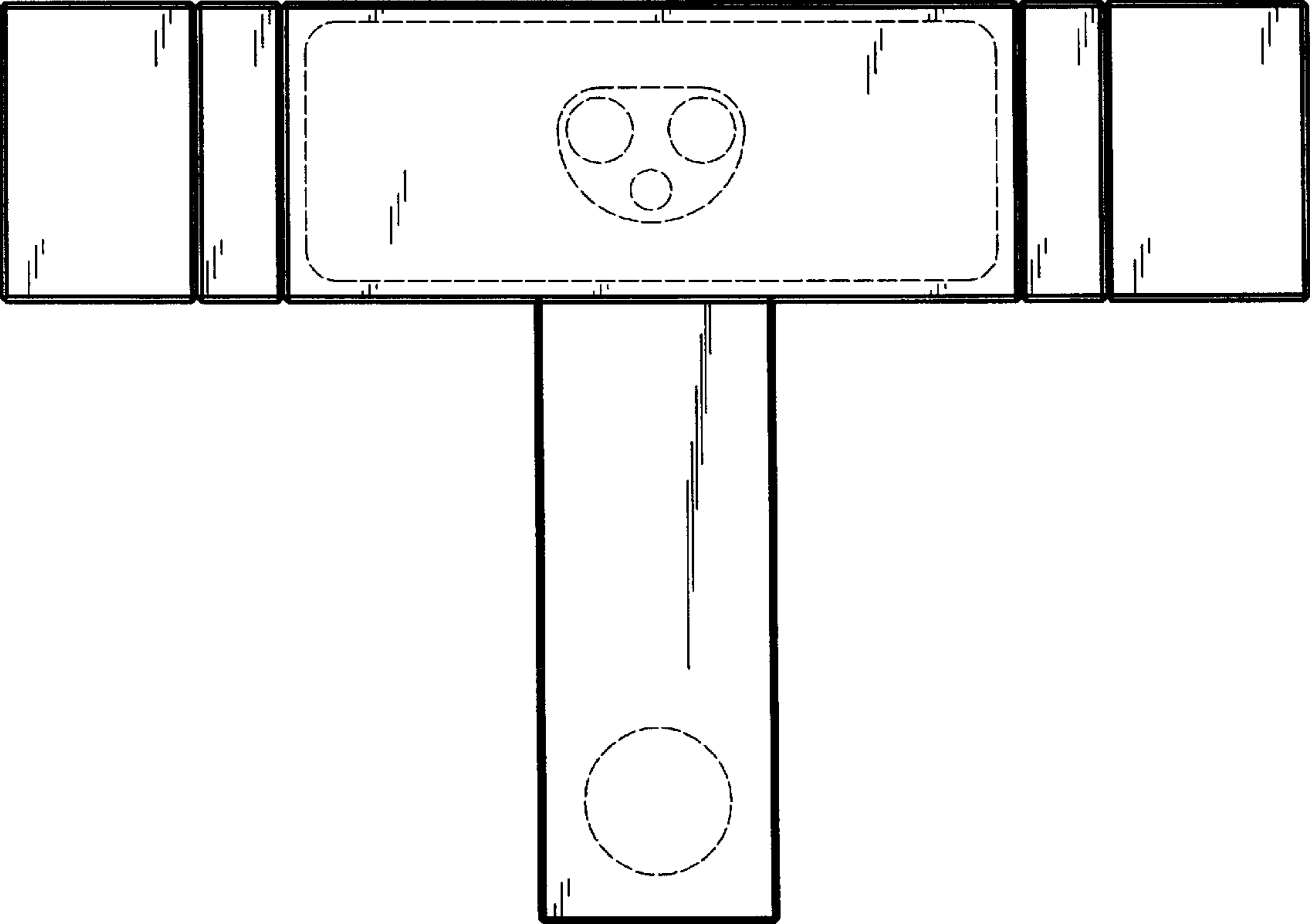


FIG. 5

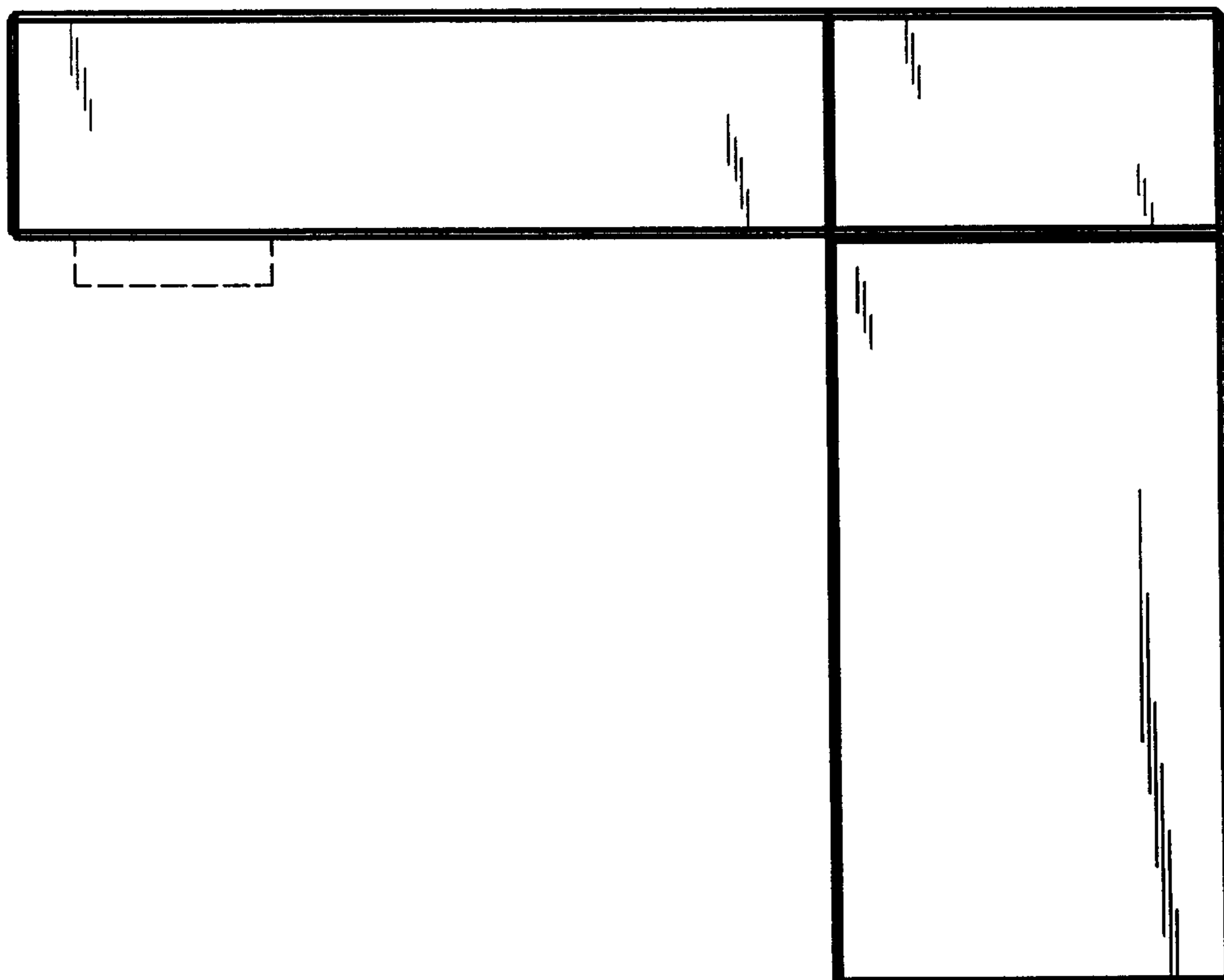


FIG. 6