



US00D511815S

(12) **United States Design Patent** (10) **Patent No.:** **US D511,815 S**  
Egee (45) **Date of Patent:** **\*\* Nov. 22, 2005**

(54) **BRIDGE FAUCET**

(75) Inventor: **Paul Egee**, Southbury, CT (US)

(73) Assignee: **American Standard International Inc.**, New York, NY (US)

(\*\*) Term: **14 Years**

(21) Appl. No.: **29/202,154**

(22) Filed: **Mar. 26, 2004**

(51) **LOC (8) Cl.** ..... **23-01**

(52) **U.S. Cl.** ..... **D23/241; D23/242**

(58) **Field of Search** ..... **D23/238-257;**  
**4/675-678; 137/801**

(56) **References Cited**

**U.S. PATENT DOCUMENTS**

D149,386 S	*	4/1948	Smolensky	.....	D23/243
D291,114 S	*	7/1987	Piesco	.....	D23/223
D472,608 S	*	4/2003	Shieh	.....	D23/241
D492,391 S	*	6/2004	Herbeau	.....	D23/241

\* cited by examiner

*Primary Examiner*—Louis S. Zarfes  
*Assistant Examiner*—Gregory Andoll

(57) **CLAIM**

The ornamental design for a bridge faucet, as shown and described.

**DESCRIPTION**

FIG. 1 is a perspective view illustrating a bridge faucet connected to handles shown in phantom;

FIG. 2 is a front elevation view;

FIG. 3 is a top plan view;

FIG. 4 is a left side elevation view having a right side being a mirror image;

FIG. 5 is a rear elevation view; and,

FIG. 6 is a bottom plan view.

The phantom lines in the Figures are illustrative purposes only and form no part of the claimed design.

**1 Claim, 6 Drawing Sheets**

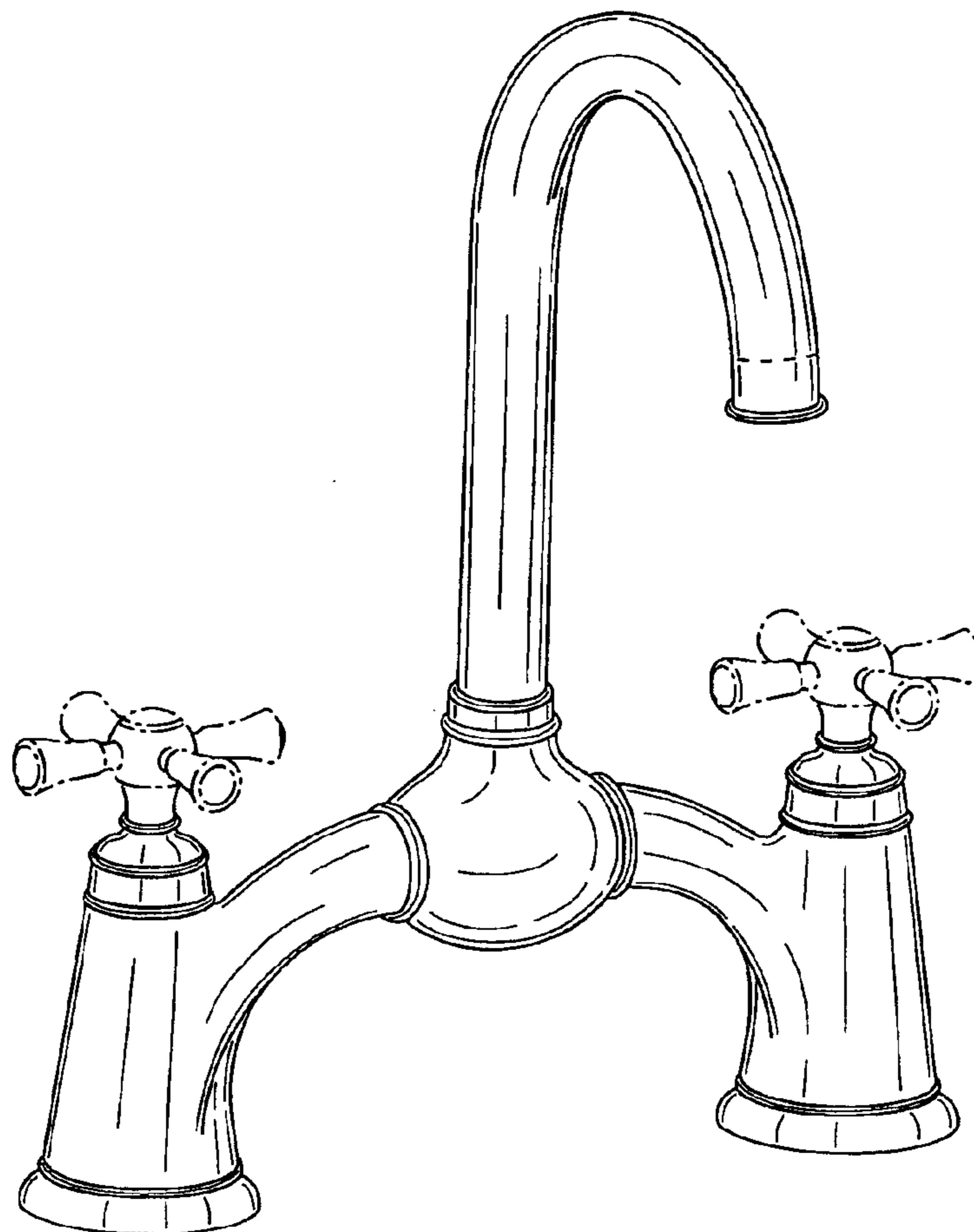


FIG. 1

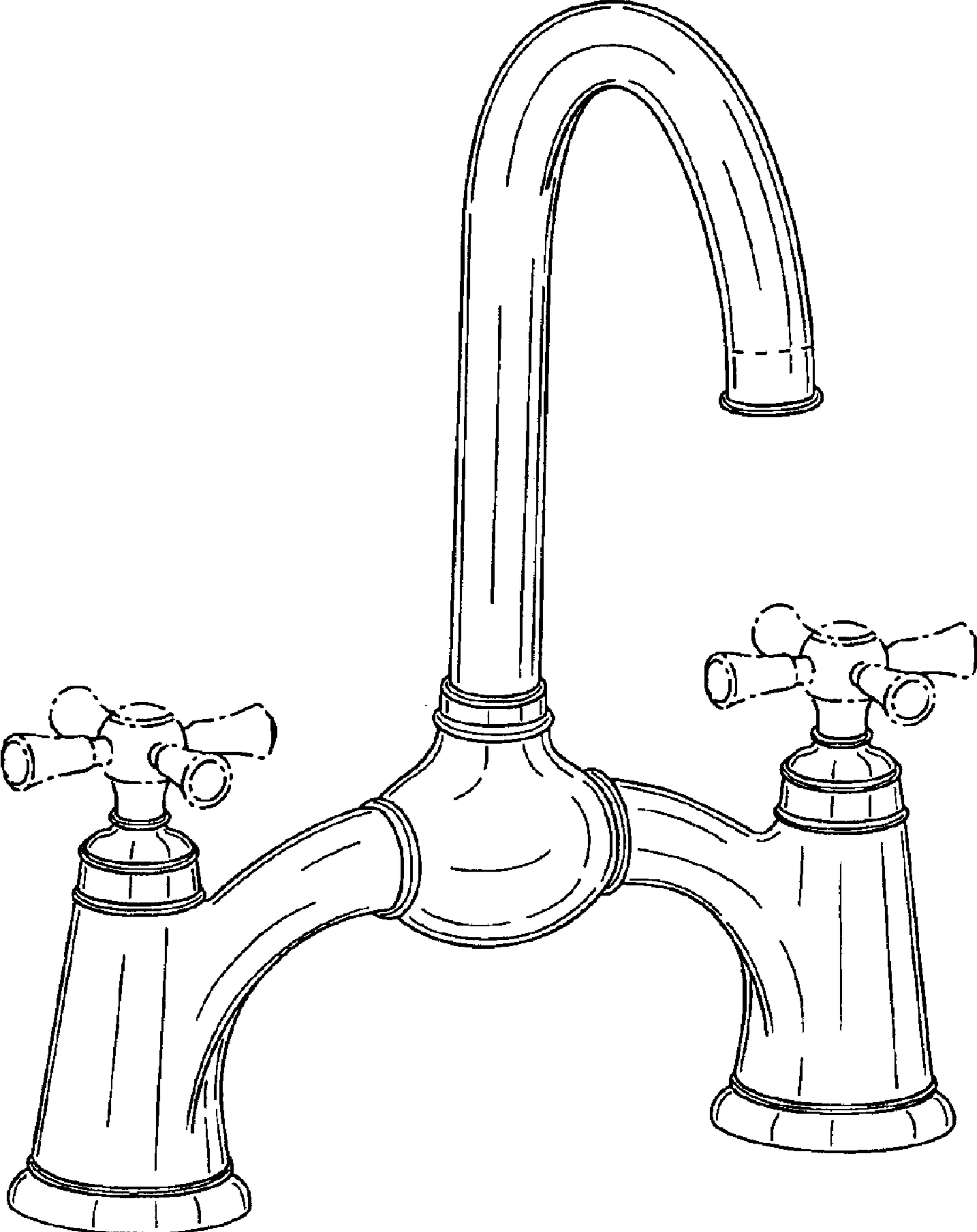


FIG. 2

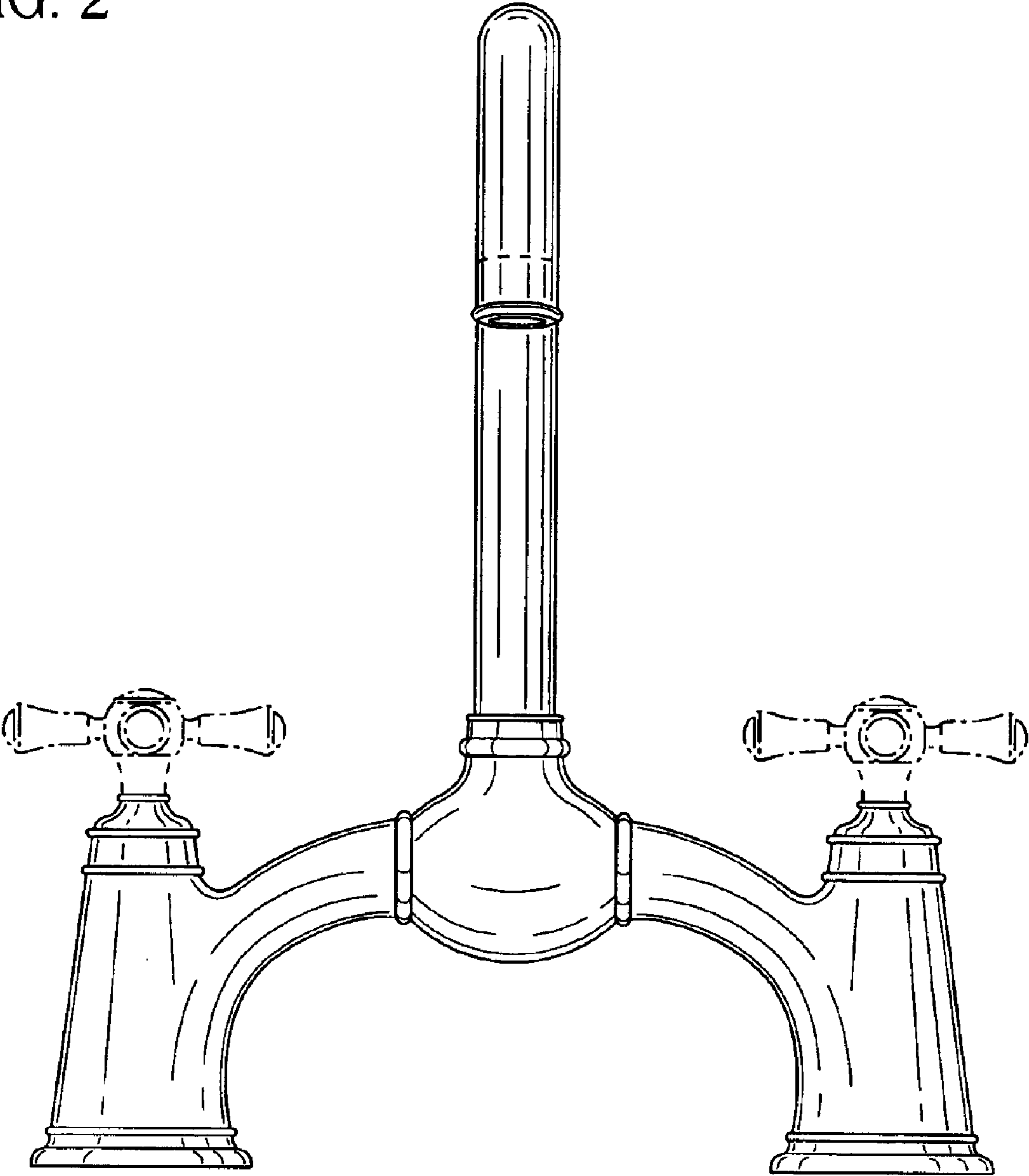


FIG. 3

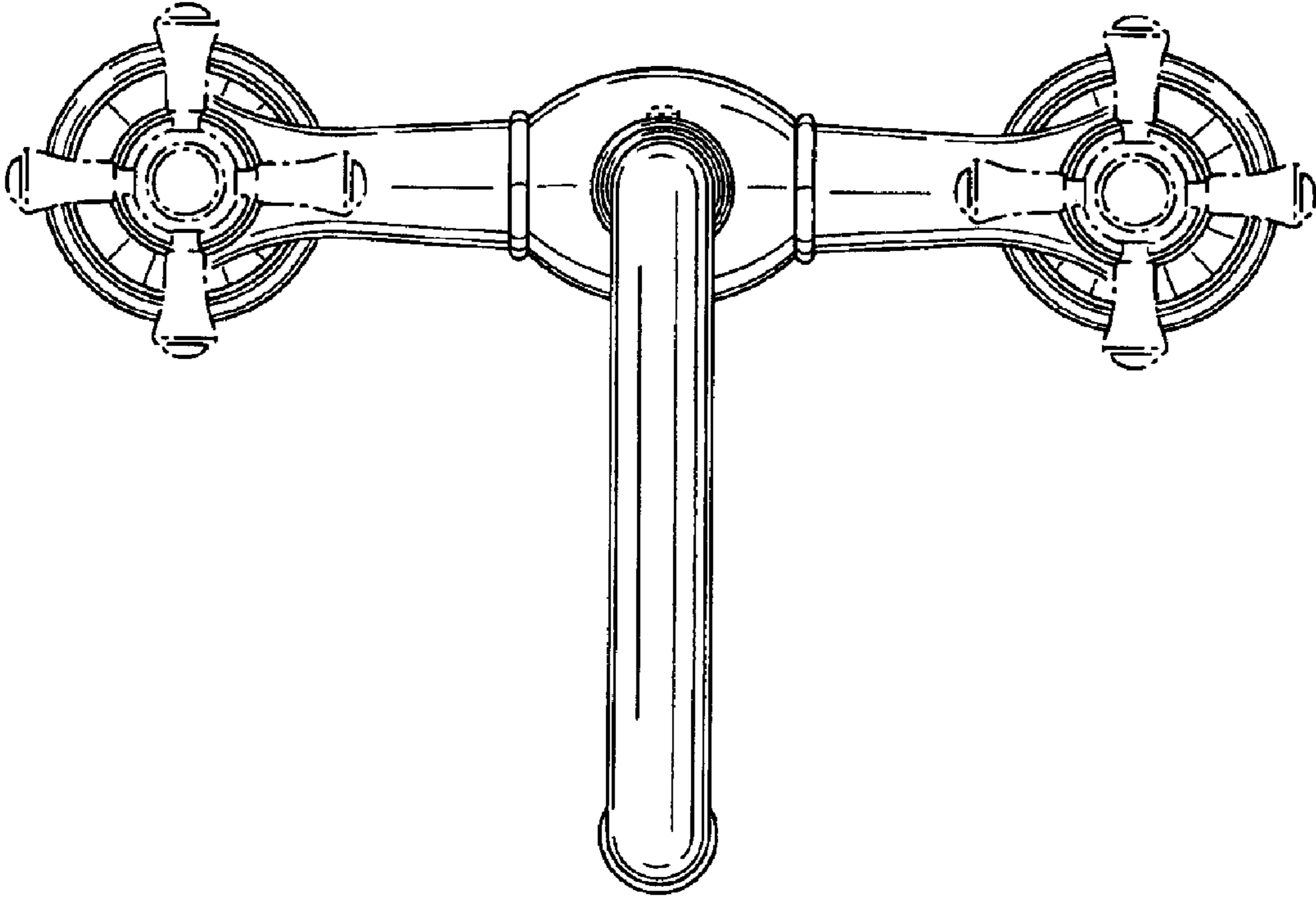


FIG. 4

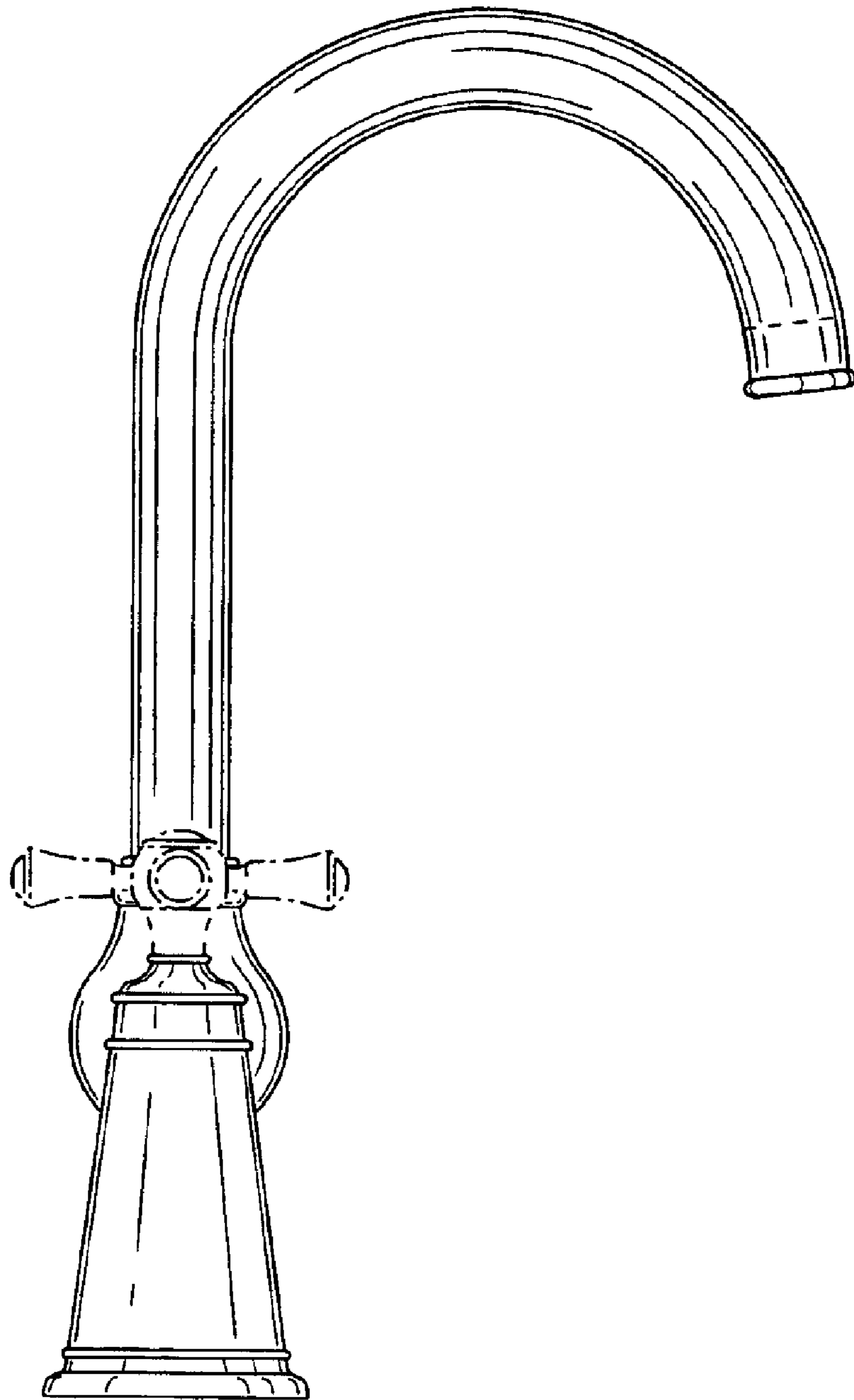


FIG. 5

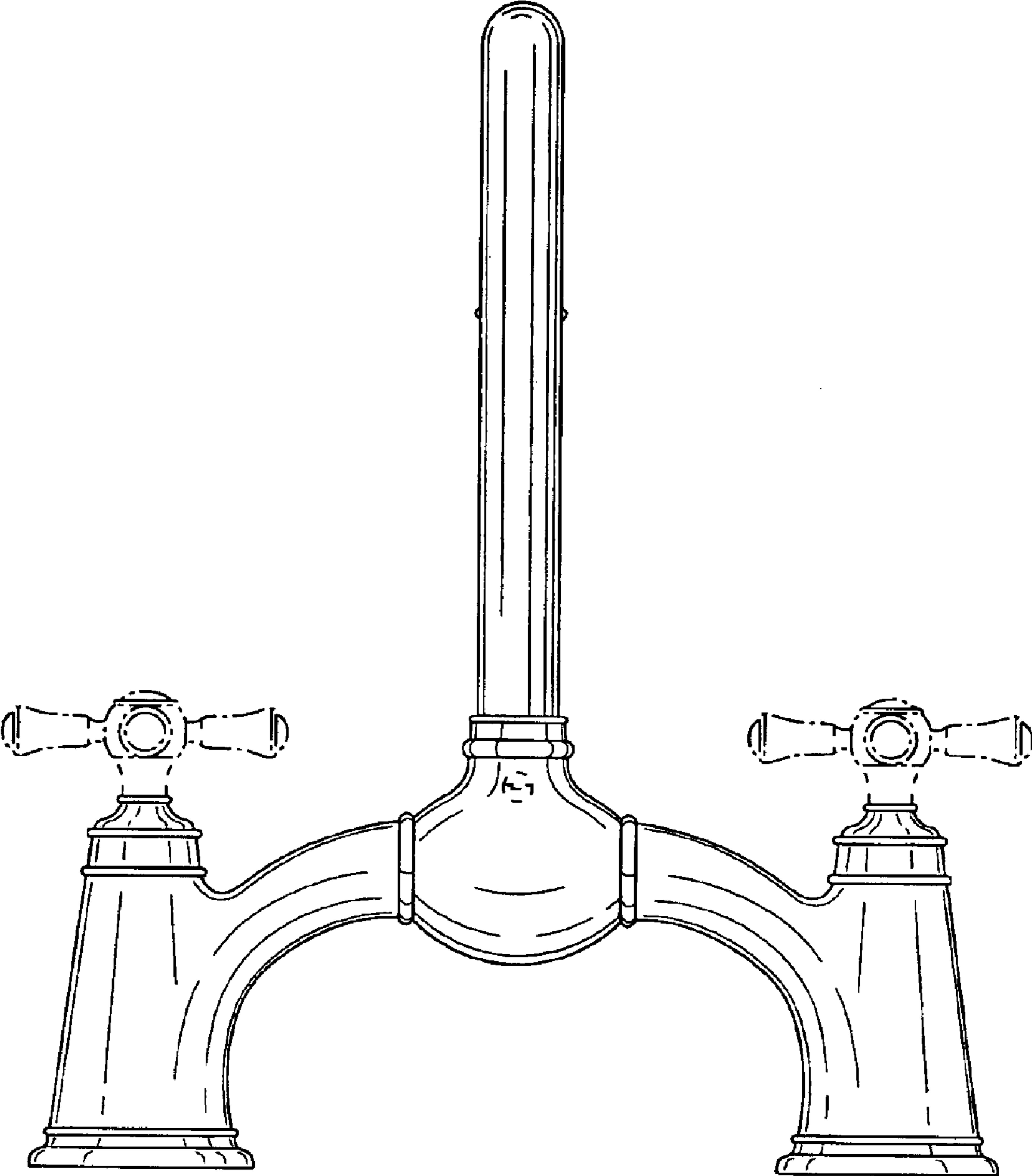


FIG. 6

