



US00D511814S

(12) **United States Design Patent**  
**Wei**

(10) **Patent No.:** **US D511,814 S**

(45) **Date of Patent:** **\*\* Nov. 22, 2005**

(54) **FAUCET**

(76) **Inventor:** **Chuan-an Wei, Yung Kang (TW)**

(\*\*) **Term:** **14 Years**

(21) **Appl. No.:** **29/200,871**

(22) **Filed:** **Mar. 8, 2004**

(51) **LOC (8) Cl. .... 23-01**

(52) **U.S. Cl. .... D23/238**

(58) **Field of Search .... D23/238-257;**  
**4/675-678; 137/801**

(56) **References Cited**

**U.S. PATENT DOCUMENTS**

D203,649 S	*	2/1966	Sundberg	.....	D23/241
D318,097 S	*	7/1991	Sieger	.....	D23/238
D318,907 S	*	8/1991	Kohler et al.	.....	D23/257
D320,259 S	*	9/1991	Delepine	.....	D23/238
D321,038 S	*	10/1991	Delepine	.....	D23/238
D323,550 S	*	1/1992	Delepine	.....	D23/257

\* cited by examiner

*Primary Examiner*—Louis S. Zarfes  
*Assistant Examiner*—Gregory Andoll

(74) *Attorney, Agent, or Firm*—Rosenberg, Klein & Lee

(57) **CLAIM**

The ornamental design for a faucet, as shown and described.

**DESCRIPTION**

FIG. 1 is a perspective view of a faucet showing my present design;

FIG. 2 is a front view thereof;

FIG. 3 is a rear view thereof;

FIG. 4 is a left view thereof;

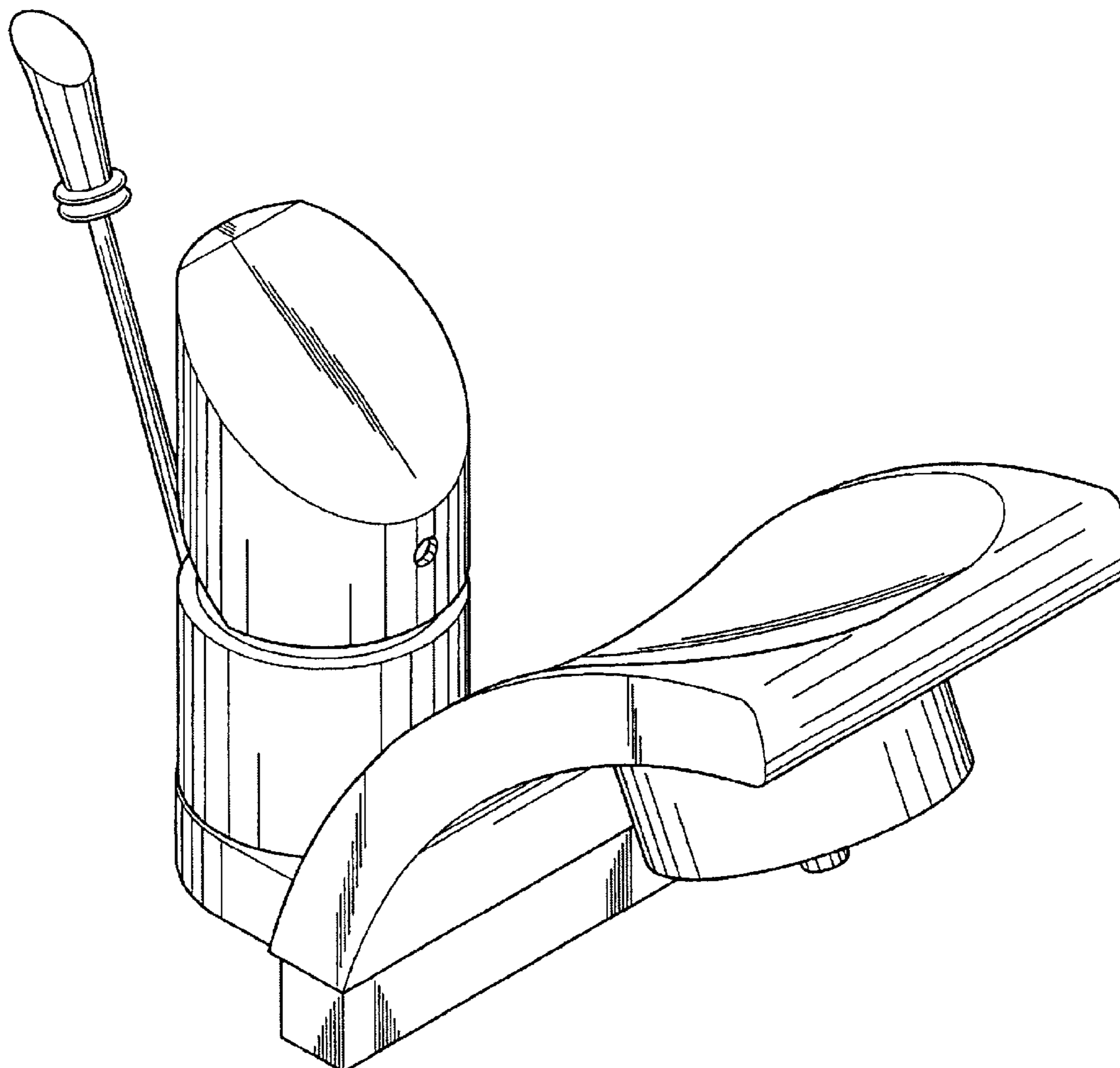
FIG. 5 is a right view thereof;

FIG. 6 is a top plan view thereof; and,

FIG. 7 is a bottom plan view.

The broken lines in the Figures are illustrative purposes only and form no part of the claimed design.

**1 Claim, 7 Drawing Sheets**



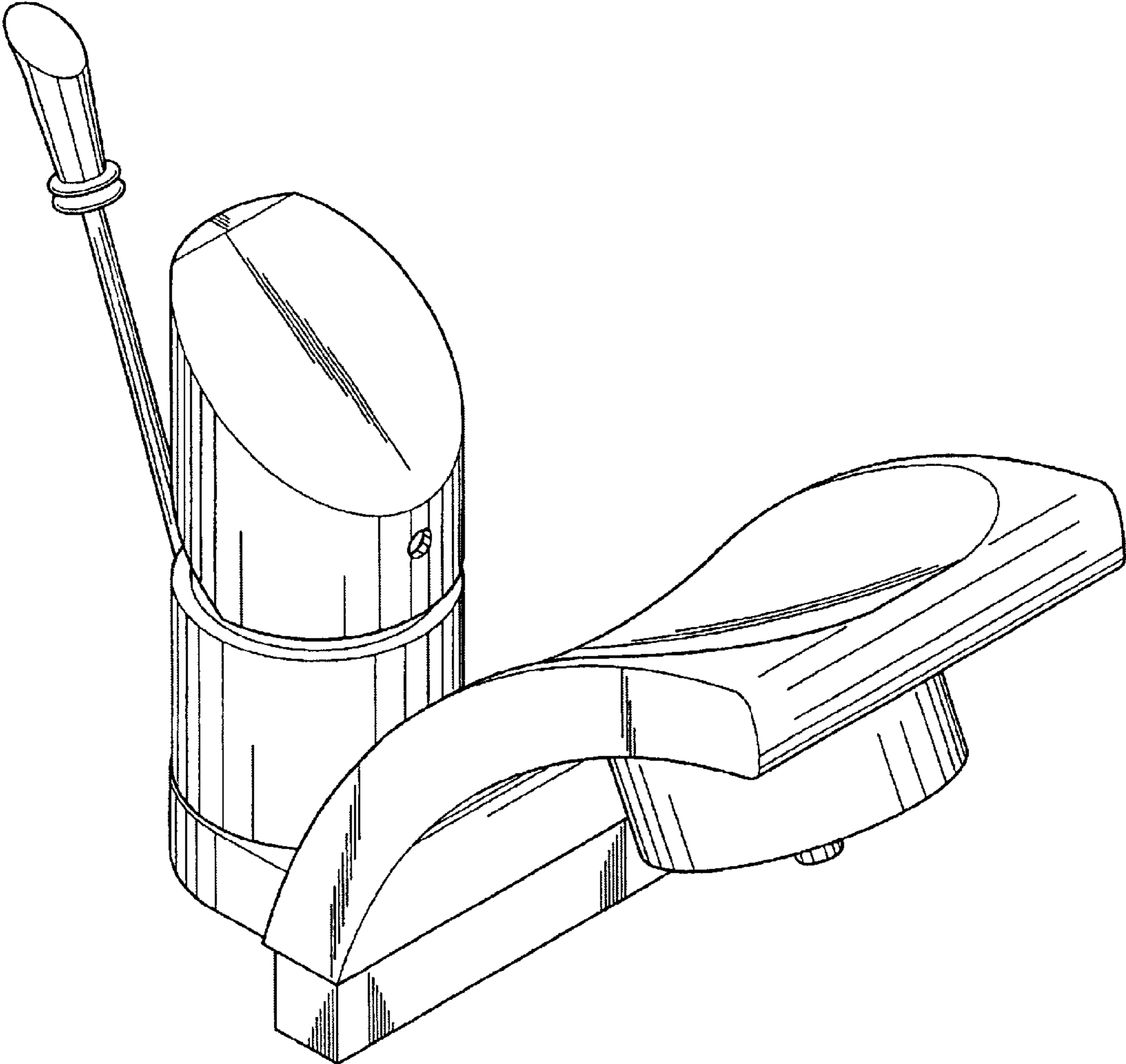


FIG. 1

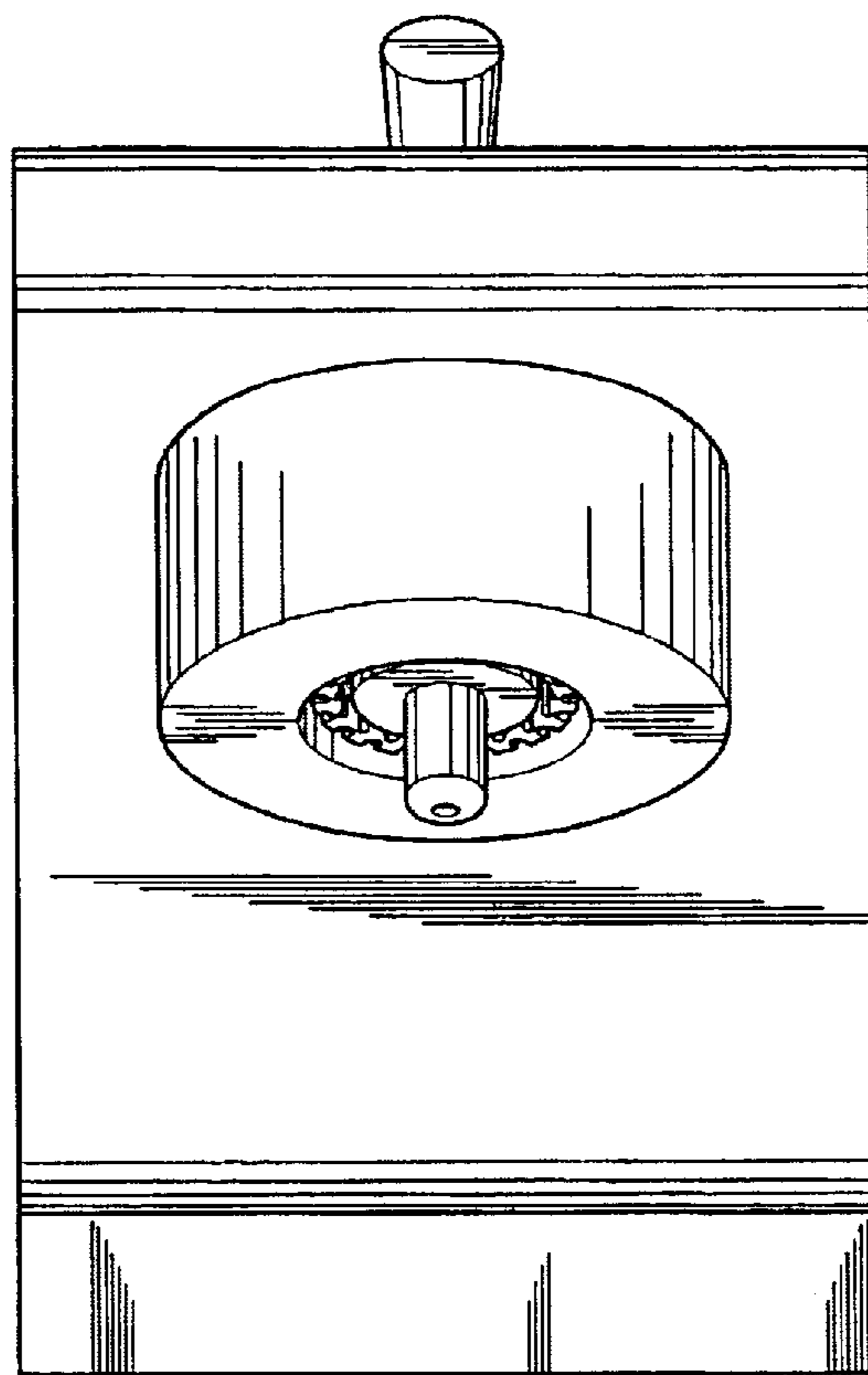


FIG. 2

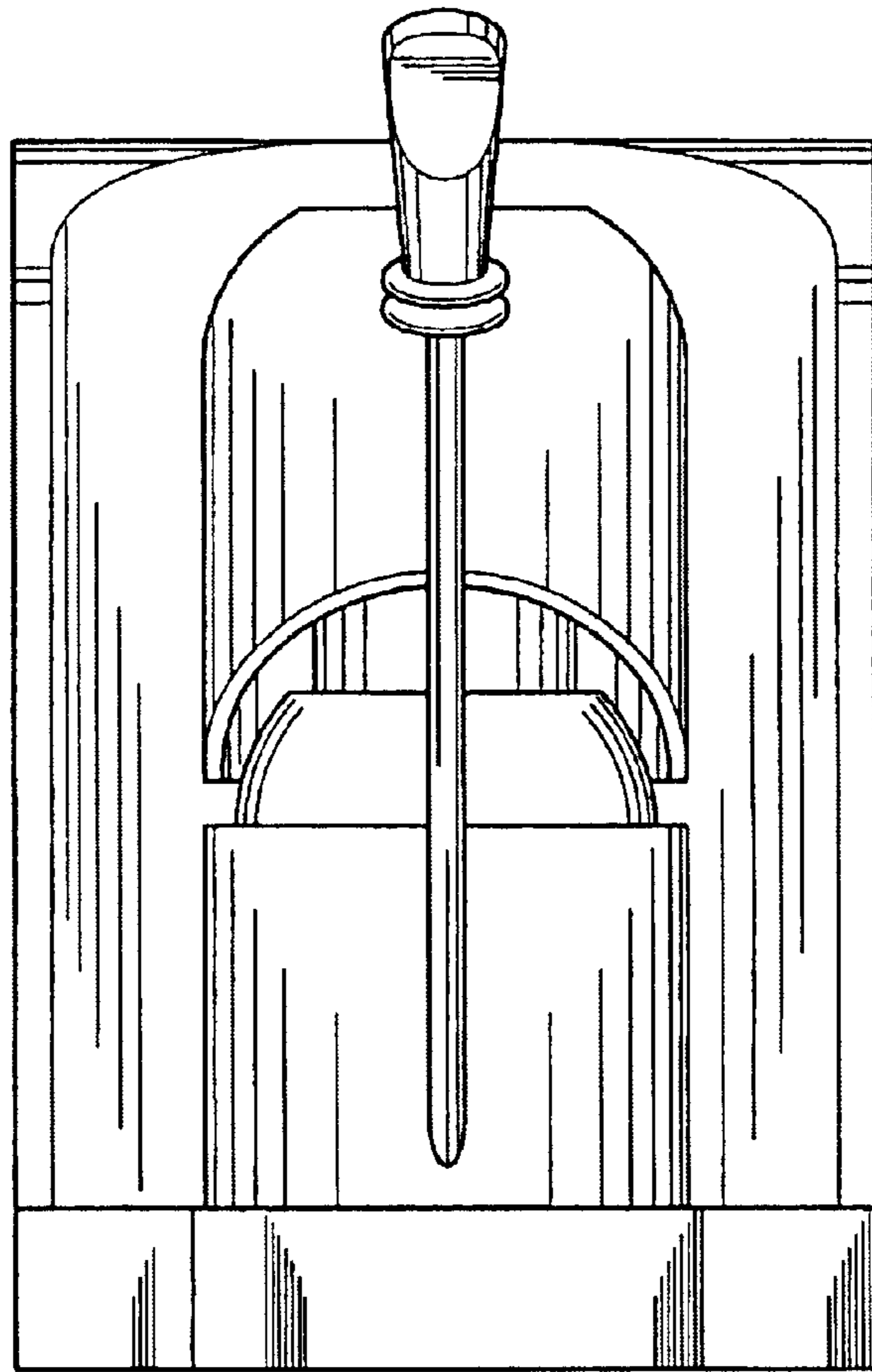


FIG. 3

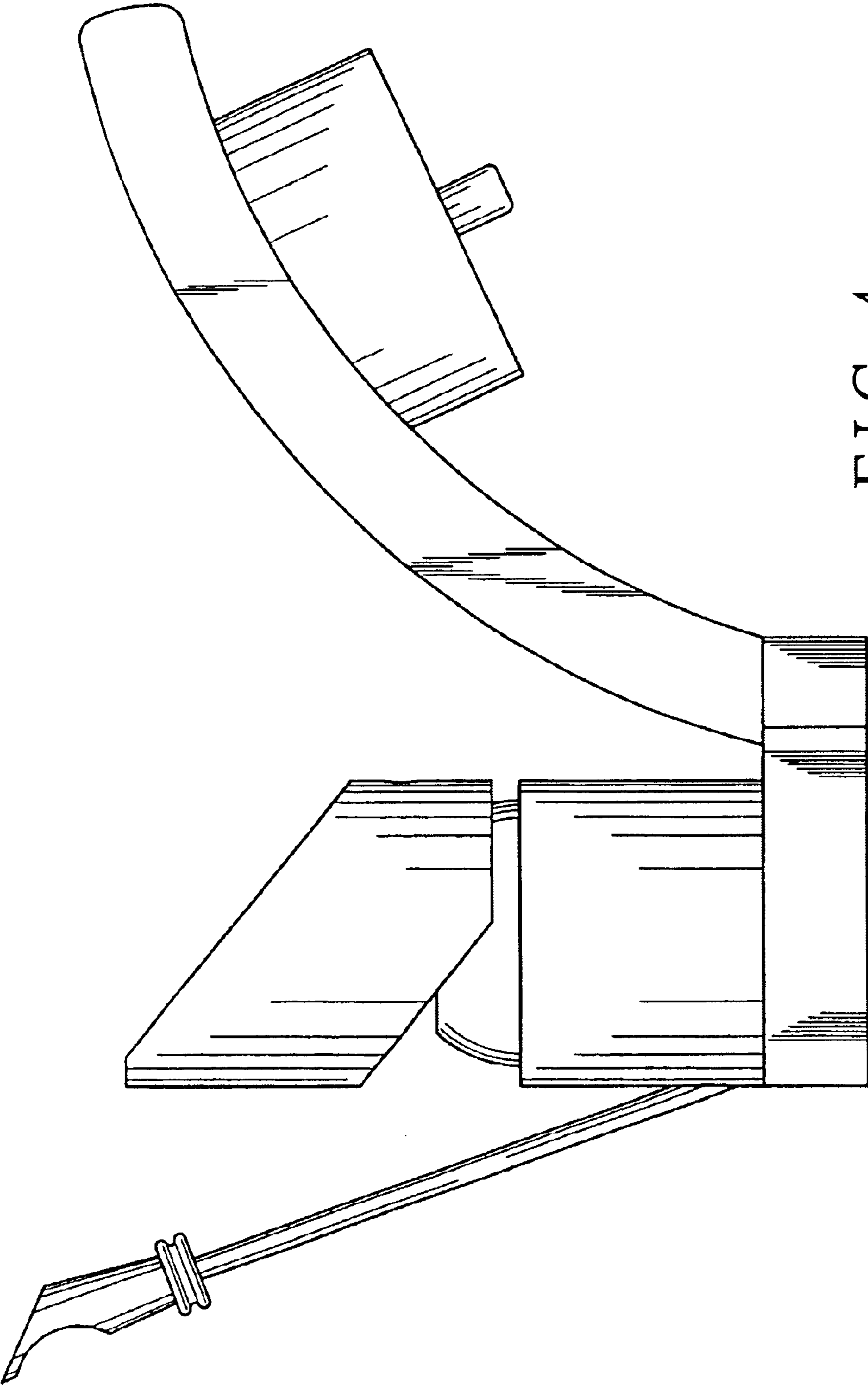


FIG. 4

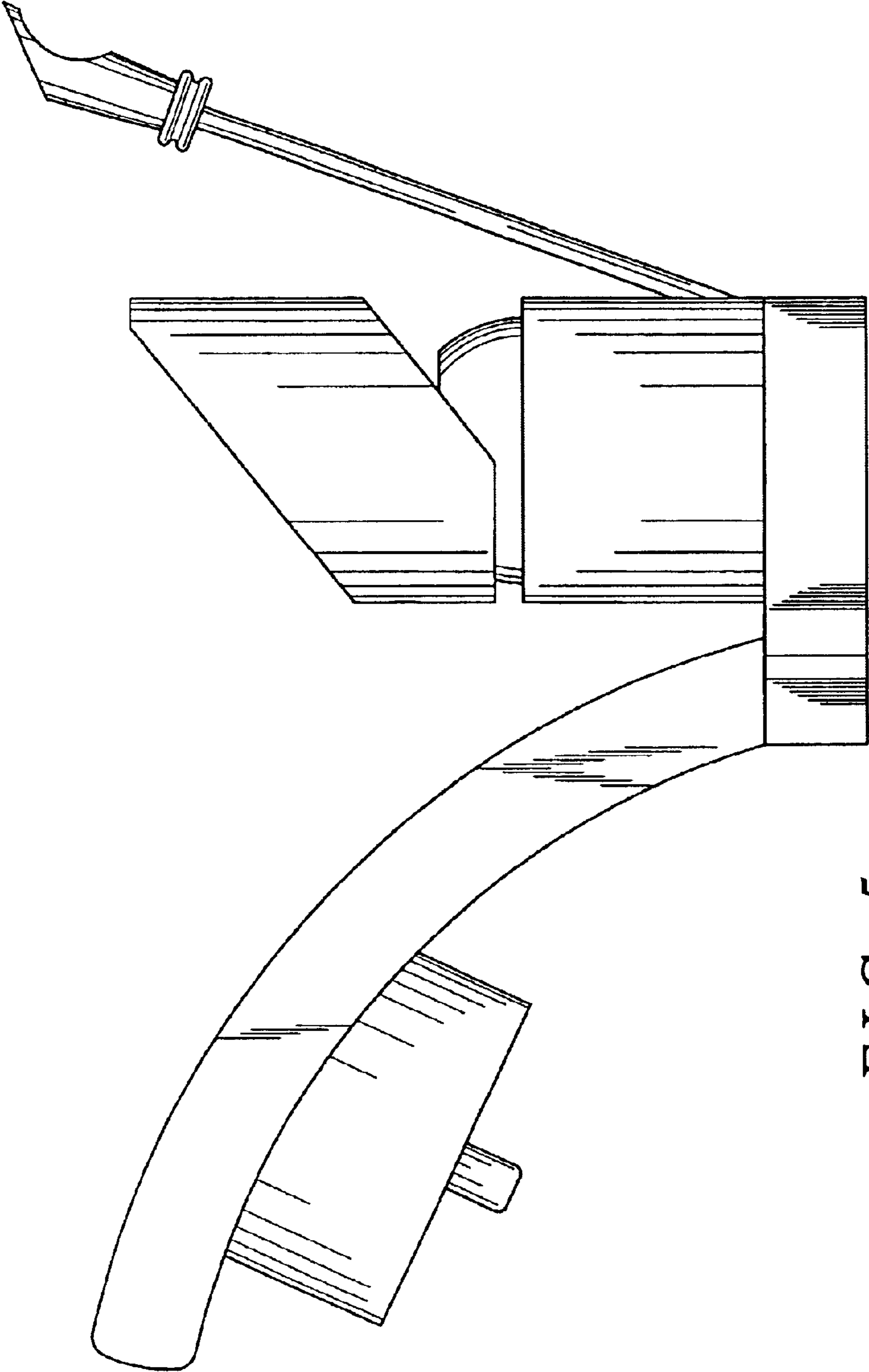


FIG. 5

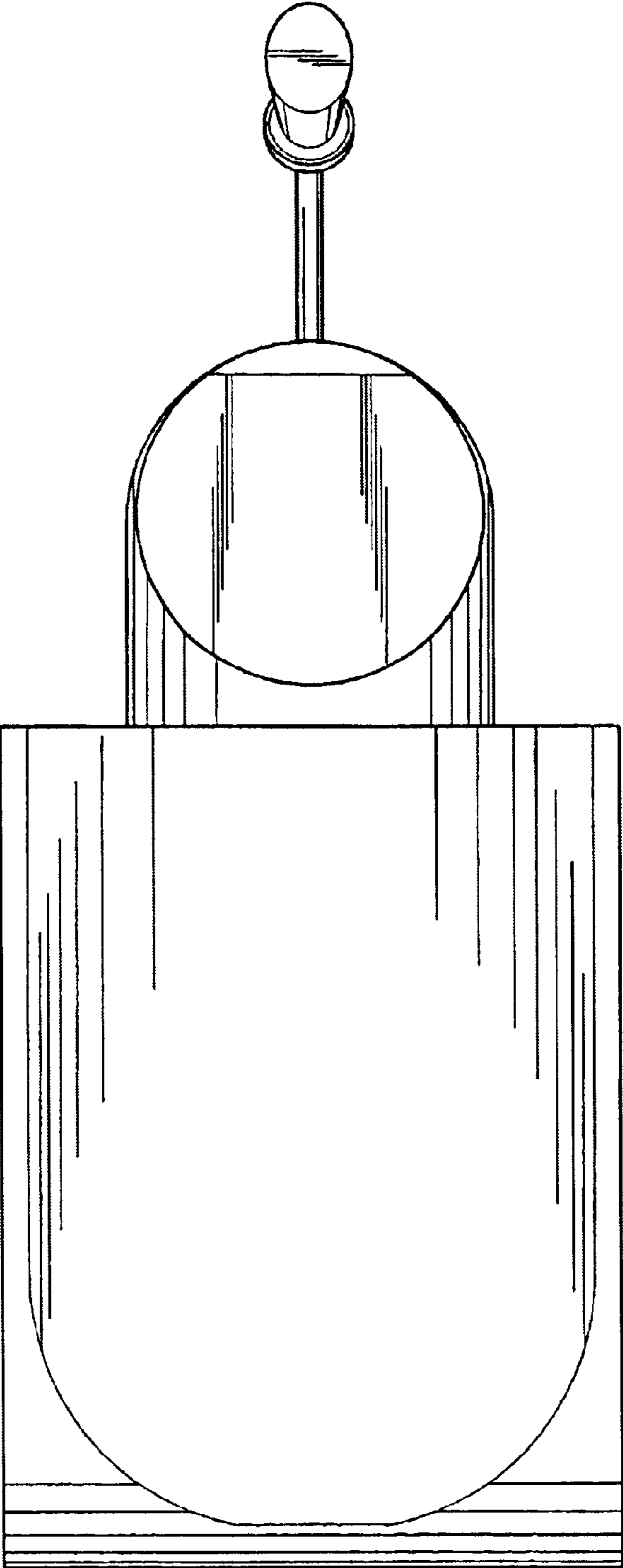


FIG. 6

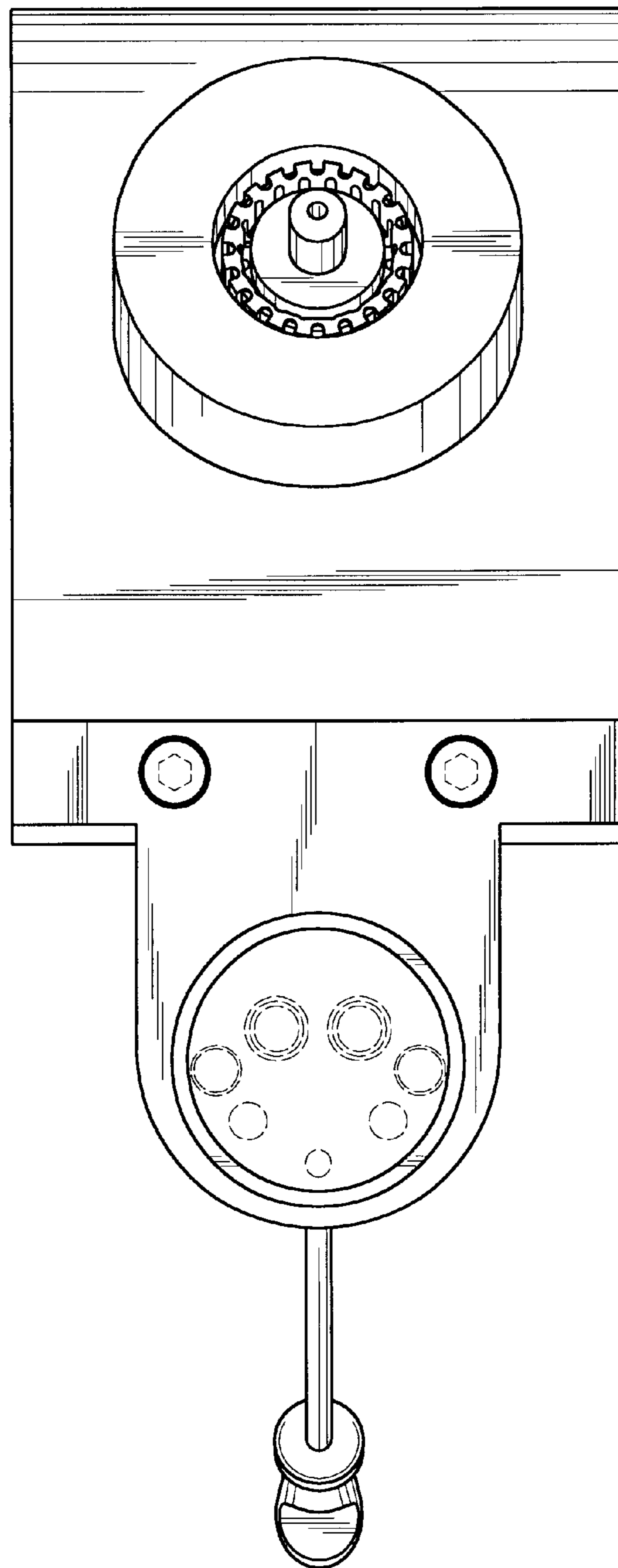


FIG. 7