



US00D511811S

(12) **United States Design Patent**  
**Lord**

(10) **Patent No.:** **US D511,811 S**

(45) **Date of Patent:** **\*\* Nov. 22, 2005**

(54) **FAUCET SPOUT**

(75) **Inventor:** **Judd A. Lord, Carmel, IN (US)**

(73) **Assignee:** **Masco Corporation of Indiana, Indianapolis, IN (US)**

(\*\*) **Term:** **14 Years**

(21) **Appl. No.:** **29/195,525**

(22) **Filed:** **Dec. 12, 2003**

(51) **LOC (8) Cl. .... 23-01**

(52) **U.S. Cl. .... D23/238; D23/255**

(58) **Field of Search .... D23/238-257;  
4/675-678; 137/801**

(56) **References Cited**

**U.S. PATENT DOCUMENTS**

D299,159 S	*	12/1988	Arnolds	.....	D23/242
D301,053 S	*	5/1989	Rodstein	.....	D23/242
D312,681 S	*	12/1990	Kohler et al.	.....	D23/255
D321,039 S	*	10/1991	Robbins	.....	D23/255
D322,472 S	*	12/1991	Kohler et al.	.....	D23/255
D326,504 S	*	5/1992	Robbins	.....	D23/255

\* cited by examiner

*Primary Examiner*—Louis S. Zarfes  
*Assistant Examiner*—Gregory Andoll

(74) *Attorney, Agent, or Firm*—Kwadjo Adusei-Poku;  
Lloyd D. Doigan

(57) **CLAIM**

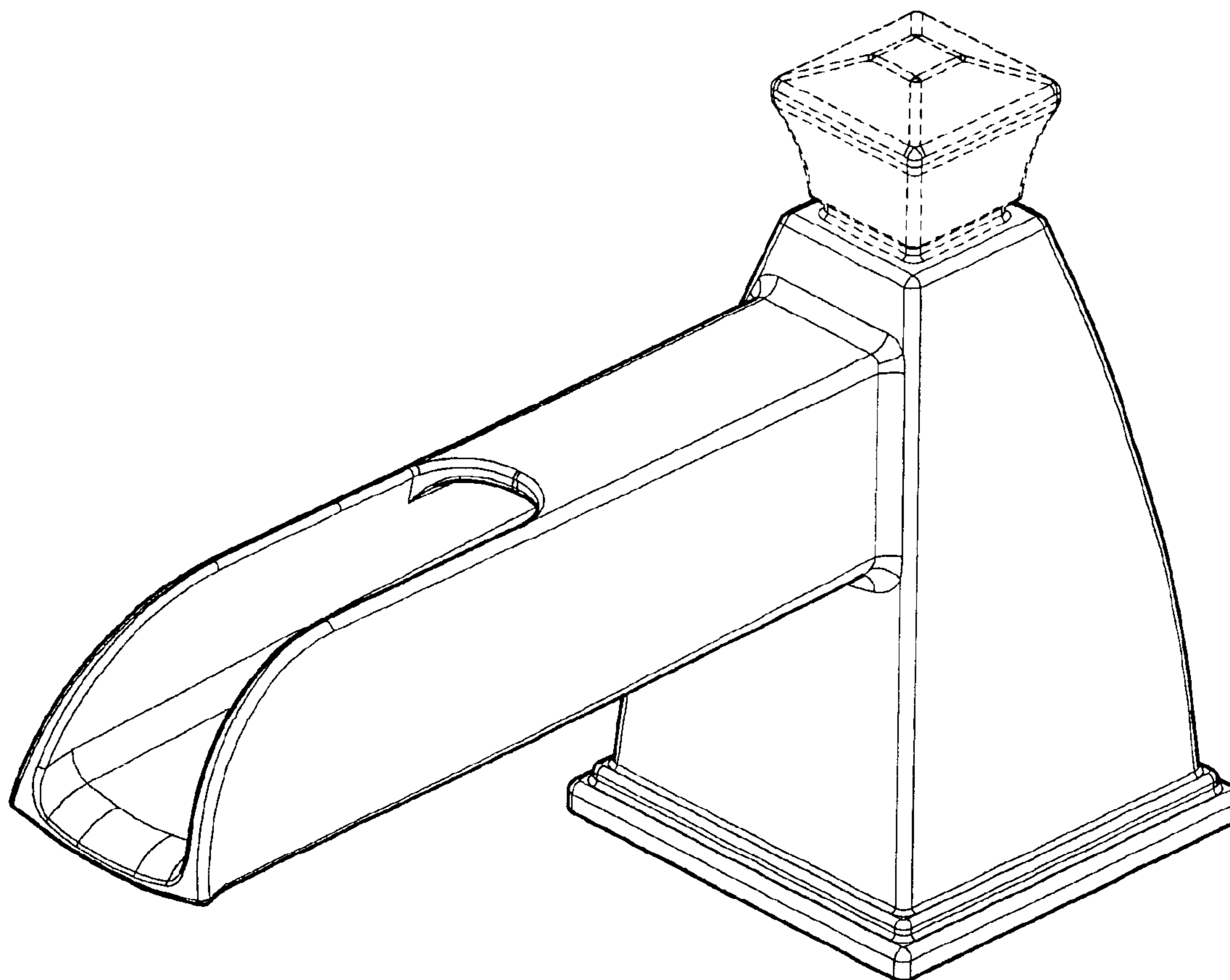
The ornamental design for a faucet spout, as shown and described.

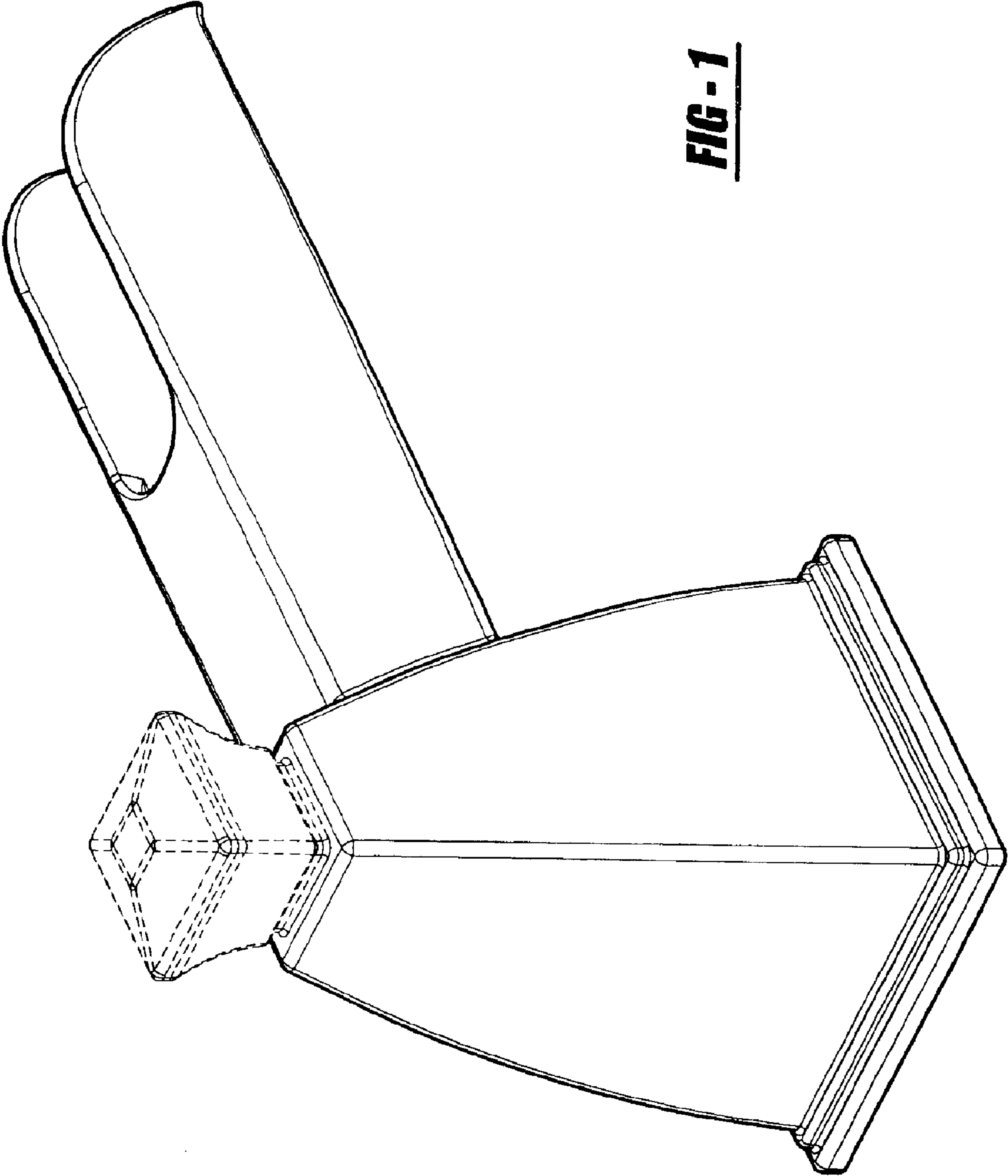
**DESCRIPTION**

FIG. 1 is a rear perspective view of a faucet spout showing my design;  
FIG. 2 is a front perspective view thereof;  
FIG. 3 is a right side elevational view thereof;  
FIG. 4 is a rear elevational view thereof;  
FIG. 5 is a left side elevational view thereof;  
FIG. 6 is a front elevational view thereof;  
FIG. 7 is a top plan view thereof; and,  
FIG. 8 is a bottom plan view thereof.

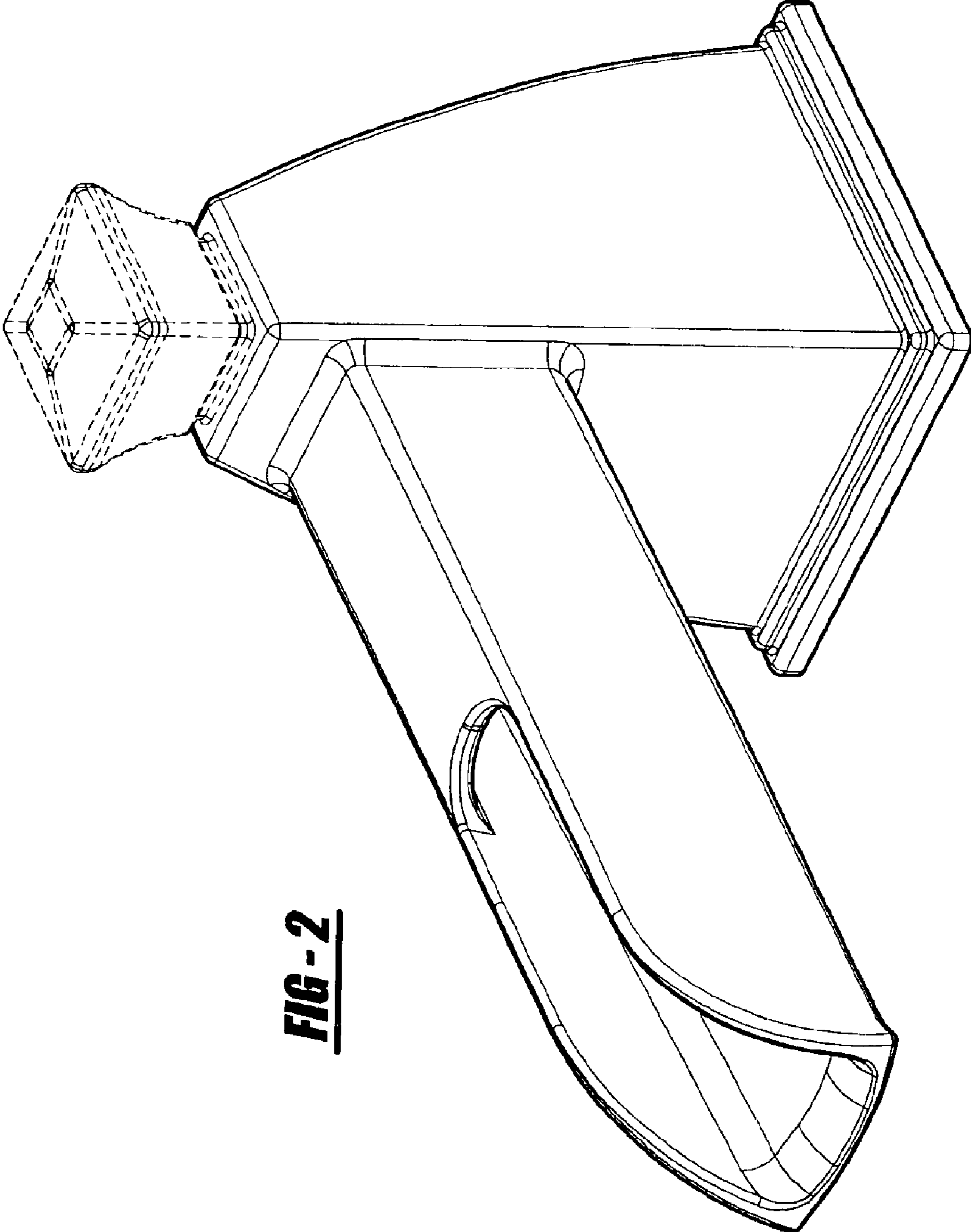
The broken lines in the Figures are for illustrative purposes only and form no part of the claimed design.

**1 Claim, 5 Drawing Sheets**

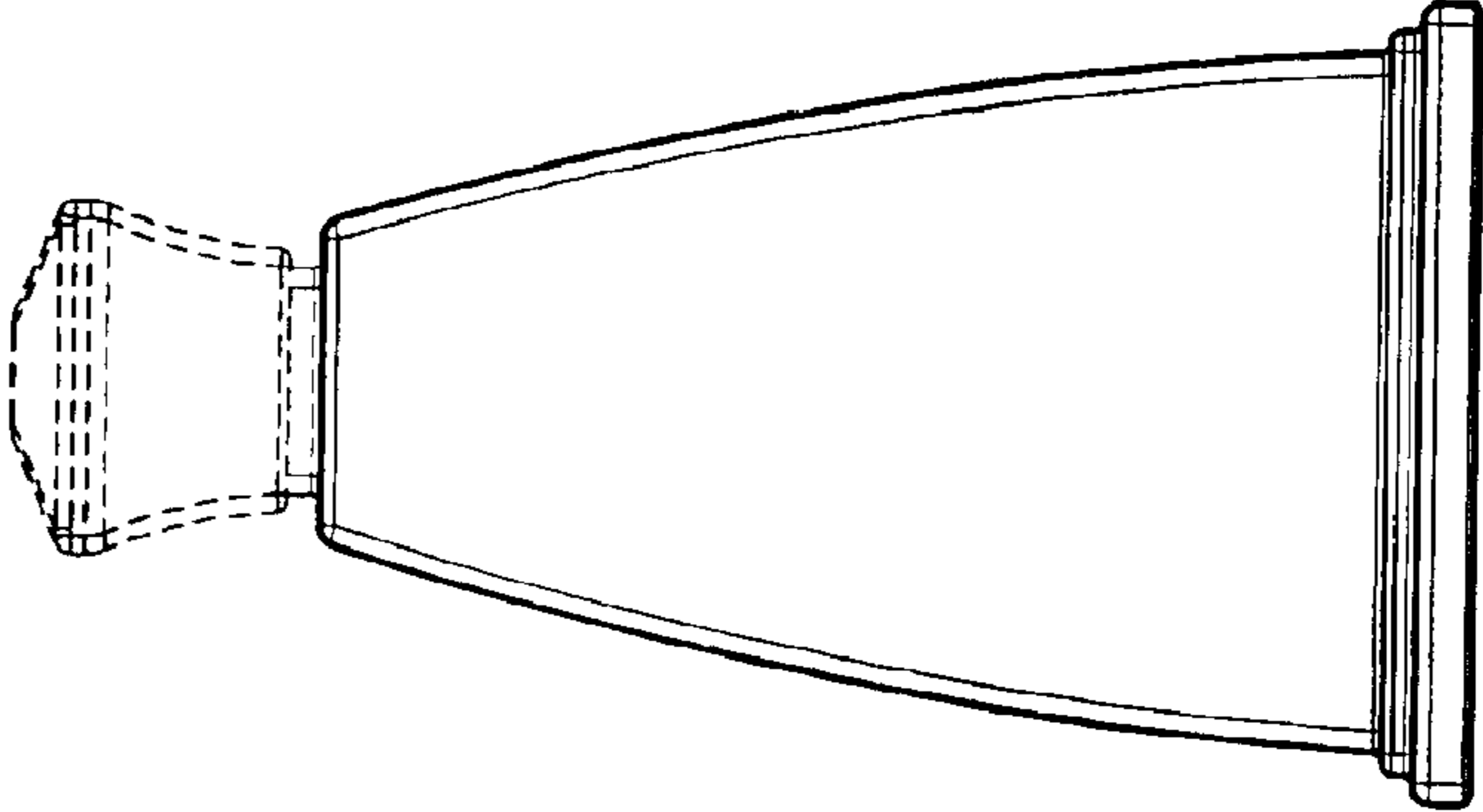




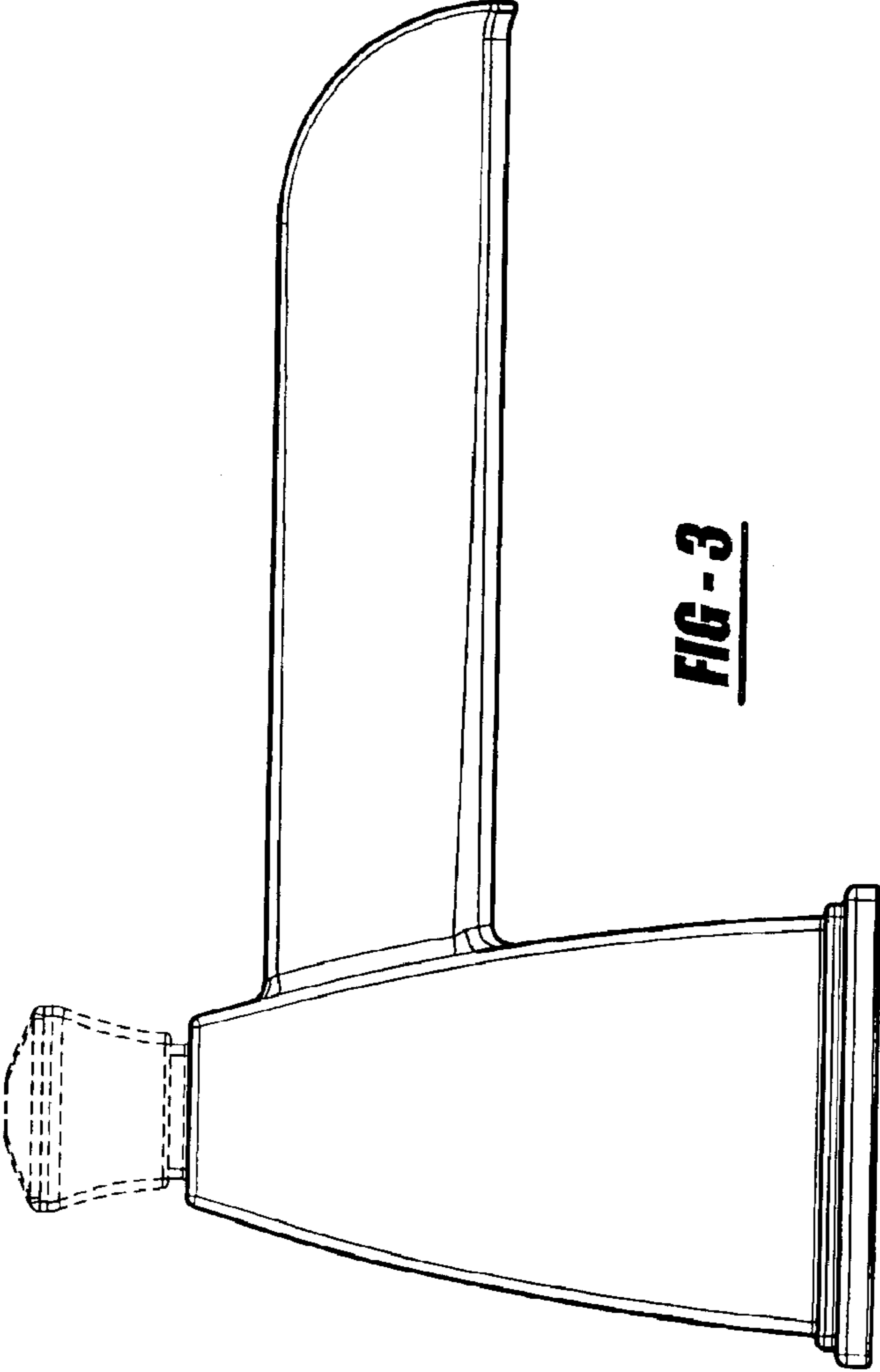
**FIG - 1**



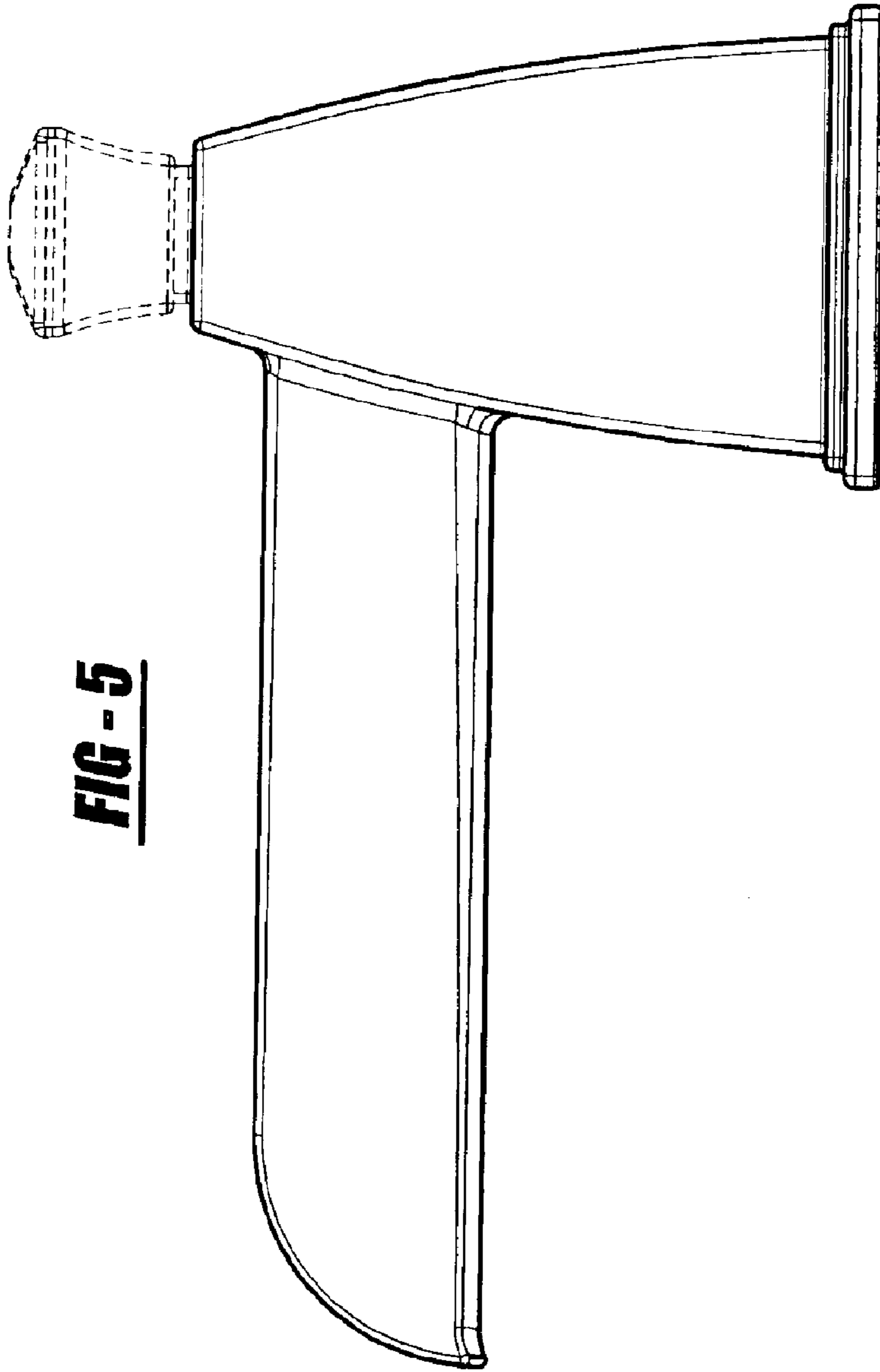
**FIG - 2**



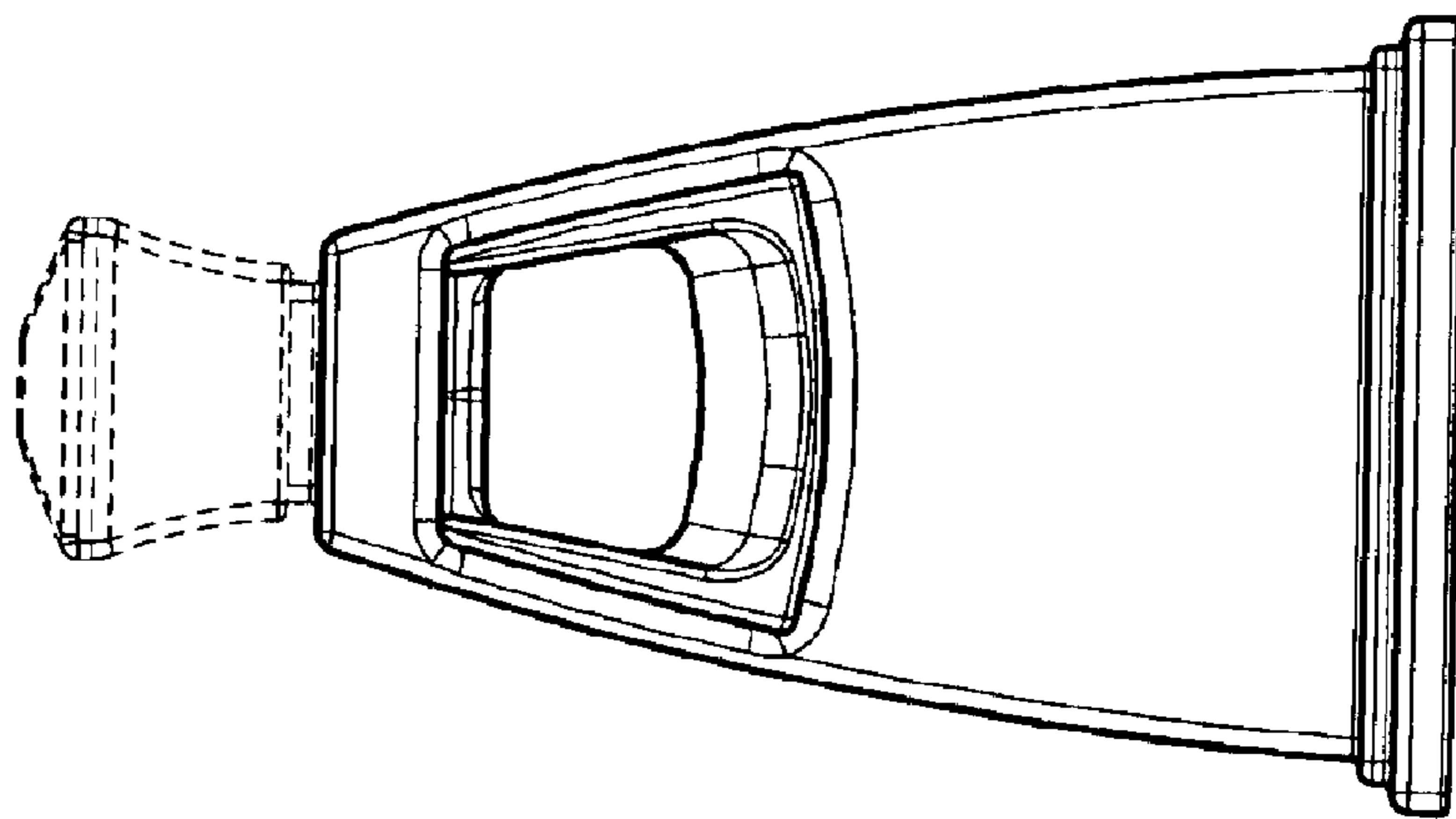
**FIG - 4**



**FIG - 3**

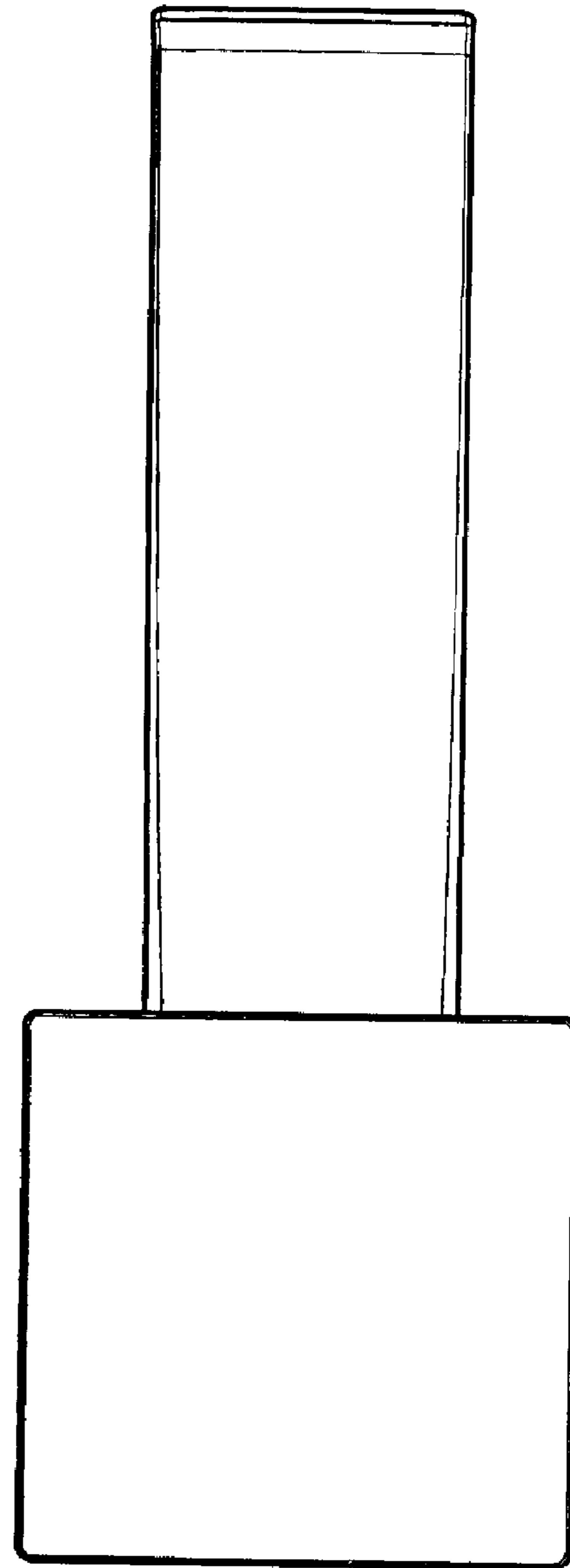
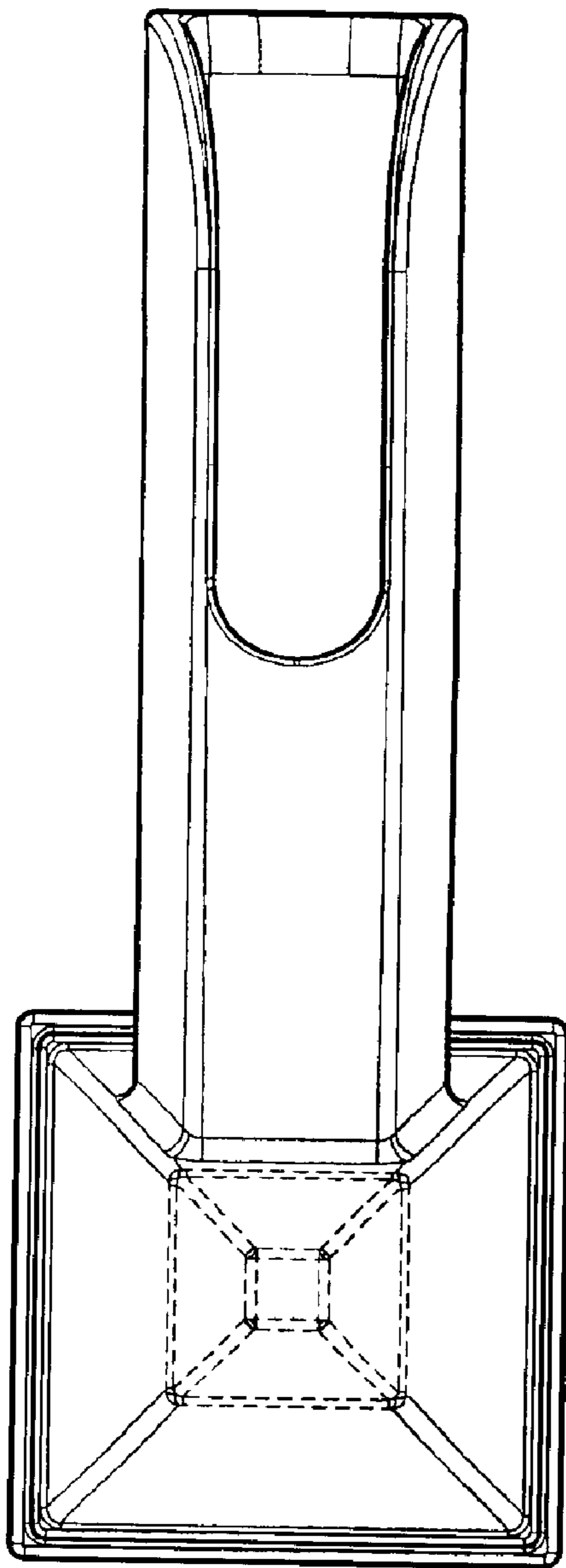


**FIG - 5**



**FIG - 6**

**FIG - 7**



**FIG - 8**