



US00D511810S

(12) **United States Design Patent** (10) **Patent No.:** **US D511,810 S**  
**Hanna** (45) **Date of Patent:** **\*\* Nov. 22, 2005**

(54) **SHOWERHEAD**  
(75) Inventor: **Aaron E. Hanna**, Corona, CA (US)  
(73) Assignee: **Newfrey LLC**, Newark, DE (US)  
(\*\*) Term: **14 Years**  
(21) Appl. No.: **29/209,911**  
(22) Filed: **Jul. 23, 2004**  
(51) **LOC (8) Cl.** ..... **23-01**  
(52) **U.S. Cl.** ..... **D23/229**  
(58) **Field of Search** ..... D23/213, 223,  
D23/229, 230; 239/282, 283

D463,528 S 9/2002 Ouyoung  
D465,263 S 11/2002 Tse  
D466,992 S 12/2002 Tse  
D467,638 S 12/2002 Lord  
D468,800 S 1/2003 Tse  
D472,302 S 3/2003 Colligan et al.  
D472,305 S 3/2003 Colligan et al.  
D475,119 S 5/2003 Colligan et al.  
D476,059 S 6/2003 Huang  
D500,121 S \* 12/2004 Blomstrom ..... D23/213  
D500,839 S \* 1/2005 Blomstrom ..... D23/229  
D501,242 S \* 1/2005 Blomstrom ..... D23/229  
2002/0069969 A1 6/2002 Rose  
2002/0158154 A1 10/2002 Lee  
2003/0150969 A1 8/2003 Zhadanov et al.

\* cited by examiner

(56) **References Cited**  
**U.S. PATENT DOCUMENTS**

D43,894 S \* 4/1913 Recker ..... D23/213  
2,689,151 A 9/1954 Manning  
D253,069 S 10/1979 Ogilvie  
D261,417 S 10/1981 Klose  
D263,865 S 4/1982 Yamin  
4,360,160 A 11/1982 Jette  
D282,199 S 1/1986 Shames et al.  
D298,048 S 10/1988 Nelson  
D313,645 S 1/1991 Reid  
D339,406 S 9/1993 Rodriguez  
D366,307 S 1/1996 Doughty et al.  
D385,335 S 10/1997 Caroen et al.  
D398,370 S 9/1998 Purdy  
D410,996 S 6/1999 Ben-Tsur  
D412,737 S 8/1999 Marshall  
D427,662 S 7/2000 Coscarelli  
D428,125 S 7/2000 Chan  
D432,212 S 10/2000 Tse  
D432,213 S 10/2000 Tse  
D435,633 S 12/2000 Ben-Tsur  
D450,370 S 11/2001 Wales et al.  
D454,621 S 3/2002 Lord  
D454,938 S 3/2002 Lord

*Primary Examiner*—Robin V. Taylor  
(74) *Attorney, Agent, or Firm*—Richard J. Veltman; John D. DeIPonti

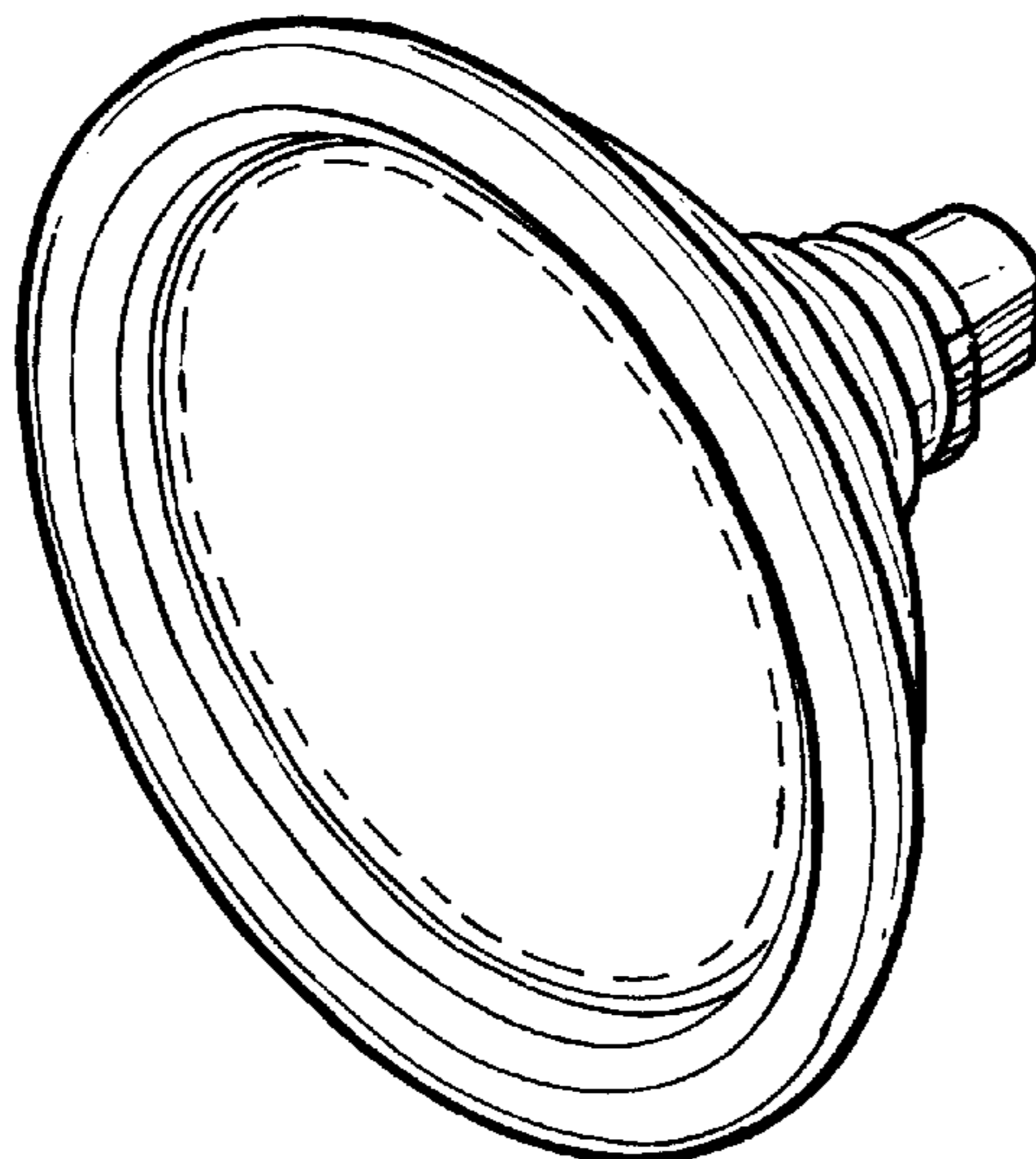
(57) **CLAIM**

The ornamental design for a showerhead, as shown and described.

**DESCRIPTION**

FIG. 1 is a perspective view of the new design for a showerhead;  
FIG. 2 is a left elevational view of the new design for a showerhead, the right elevational view being a mirror image;  
FIG. 3 is a top plan view of the new design for a showerhead, the bottom plan view being a mirror image;  
FIG. 4 is a front elevational view of the new design for a showerhead; and,  
FIG. 5 is a rear elevational view of the new design for a showerhead.  
The broken lines in the Figures are for illustrative purposes only and form no part of the claimed design.

**1 Claim, 1 Drawing Sheet**



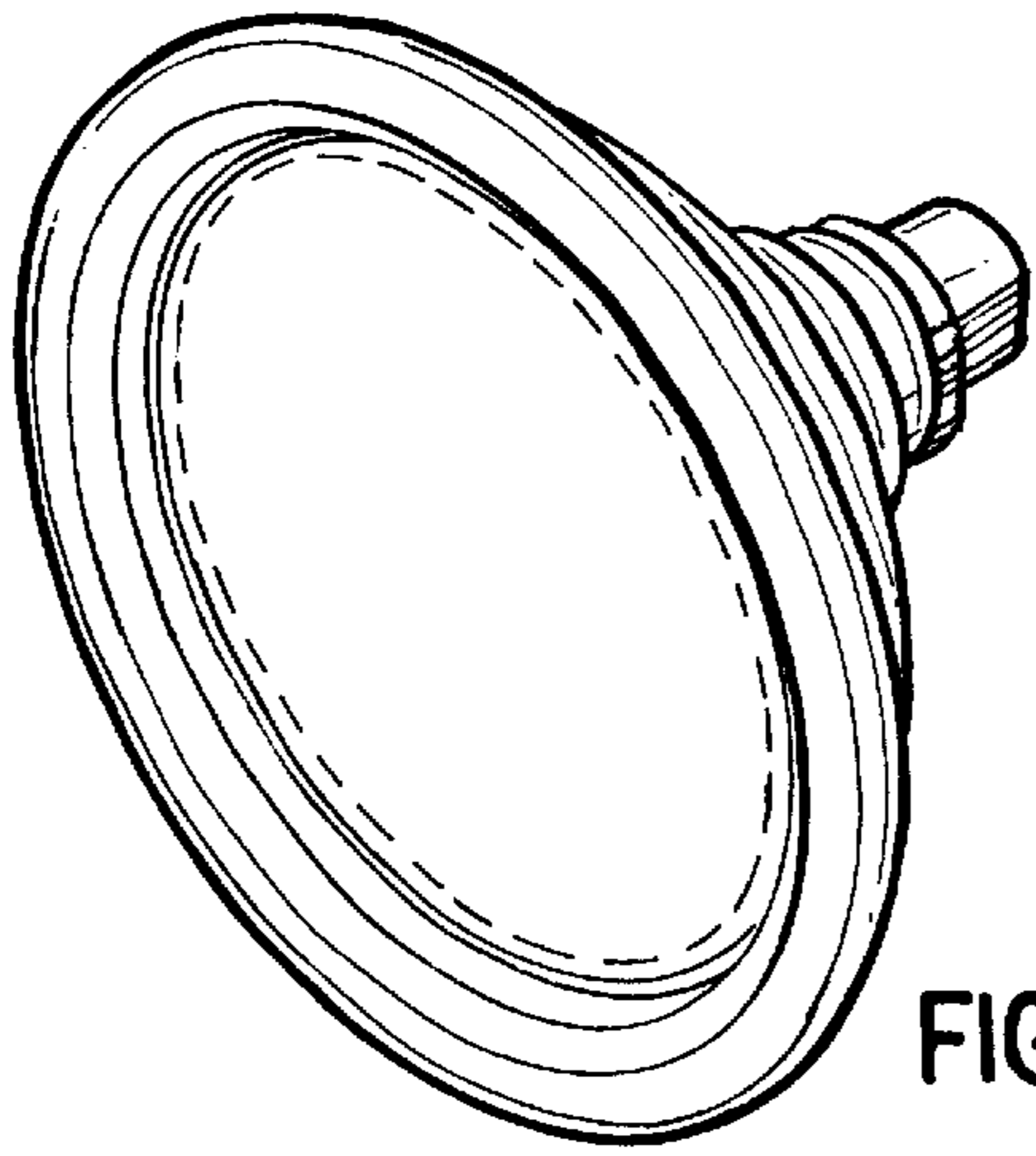


FIG. 1

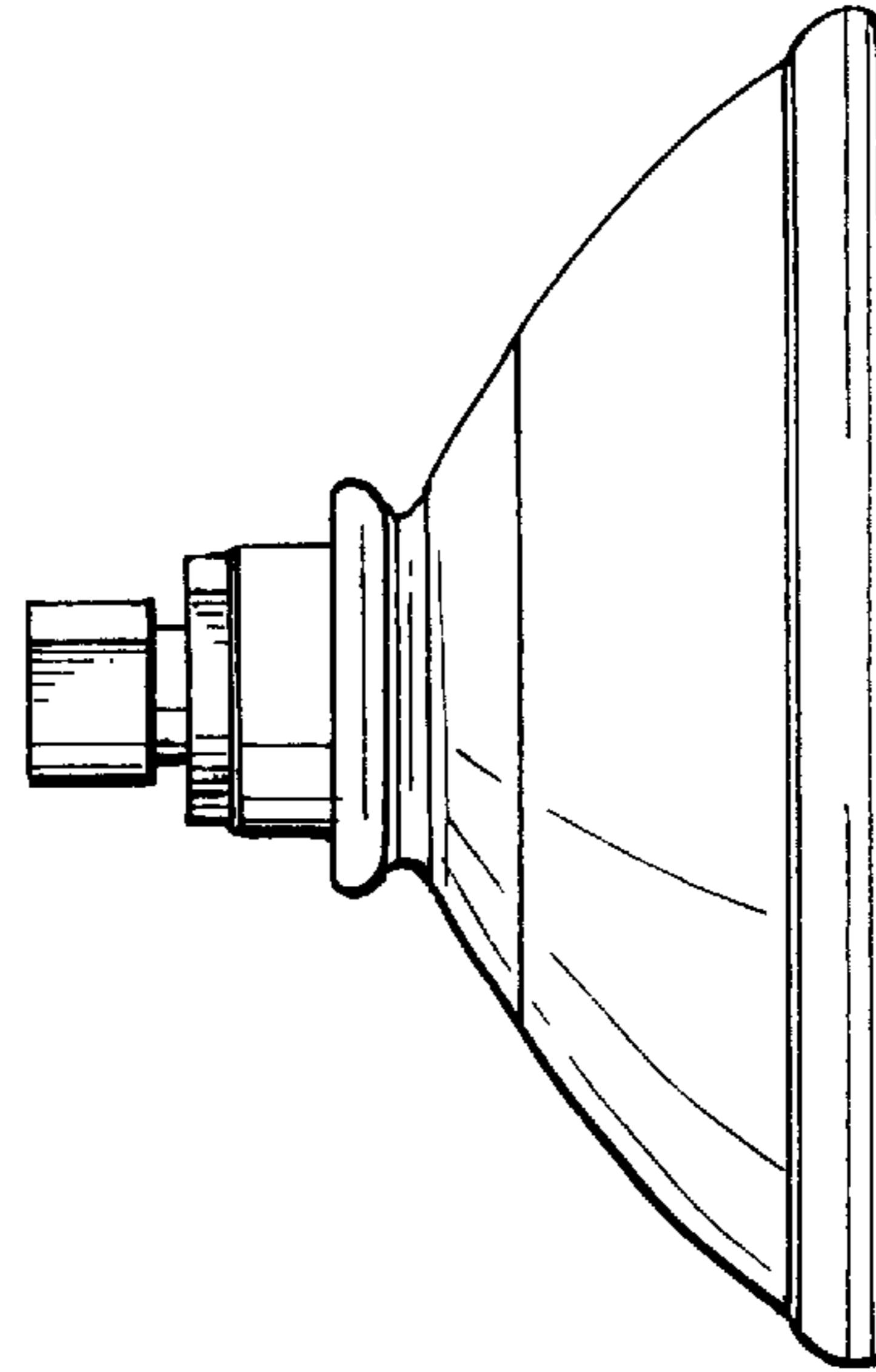


FIG. 2

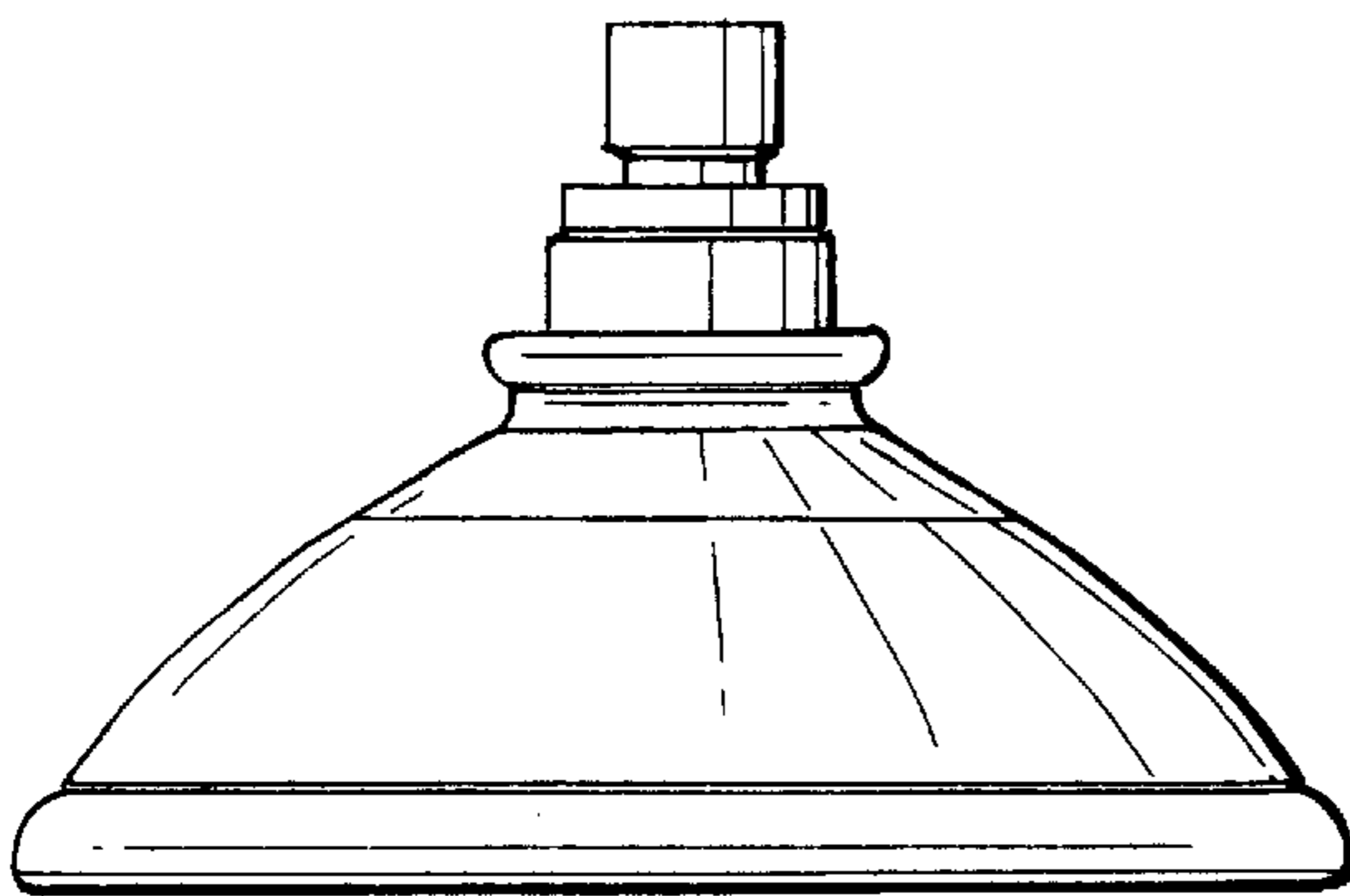


FIG. 3

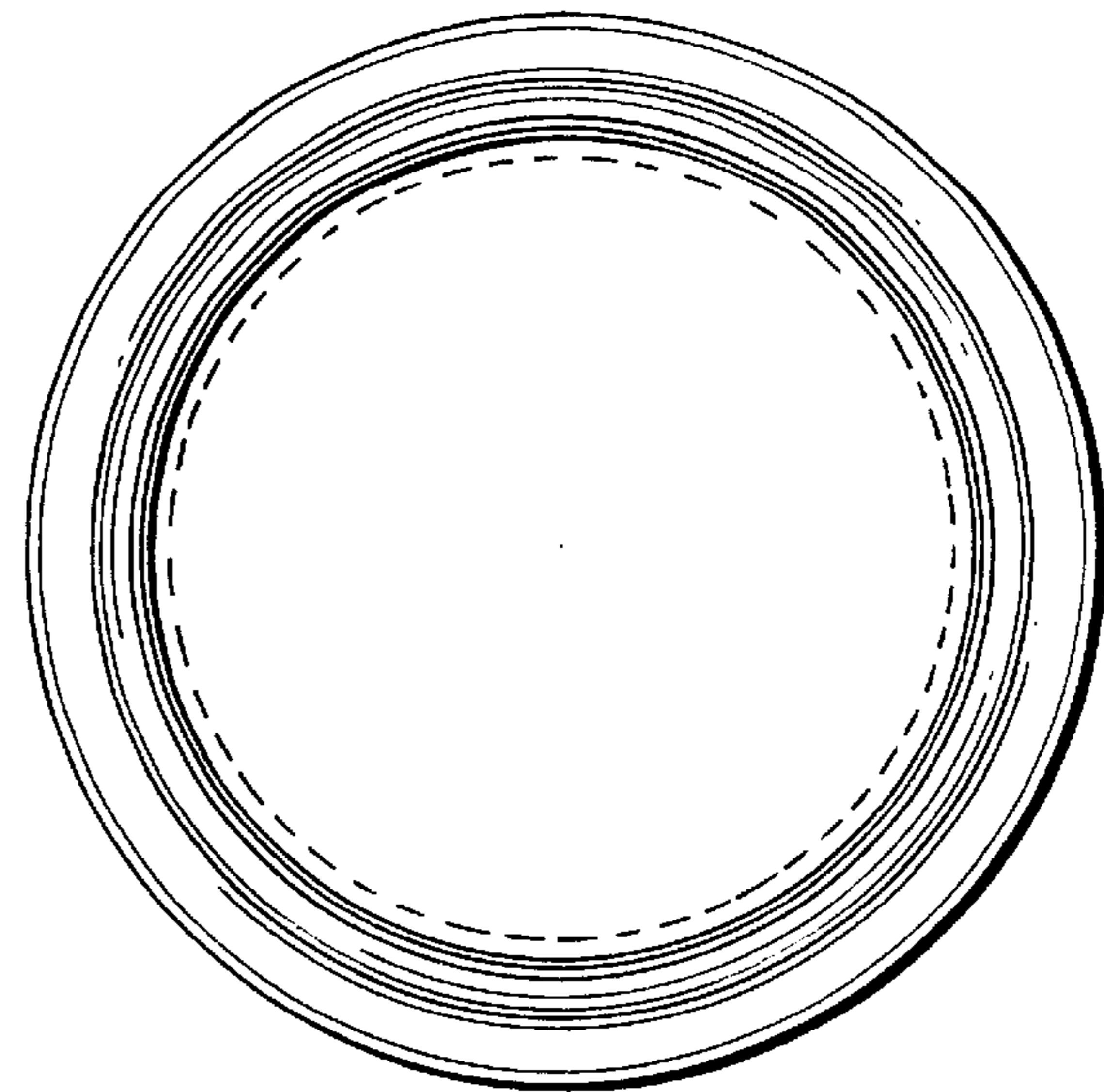


FIG. 4

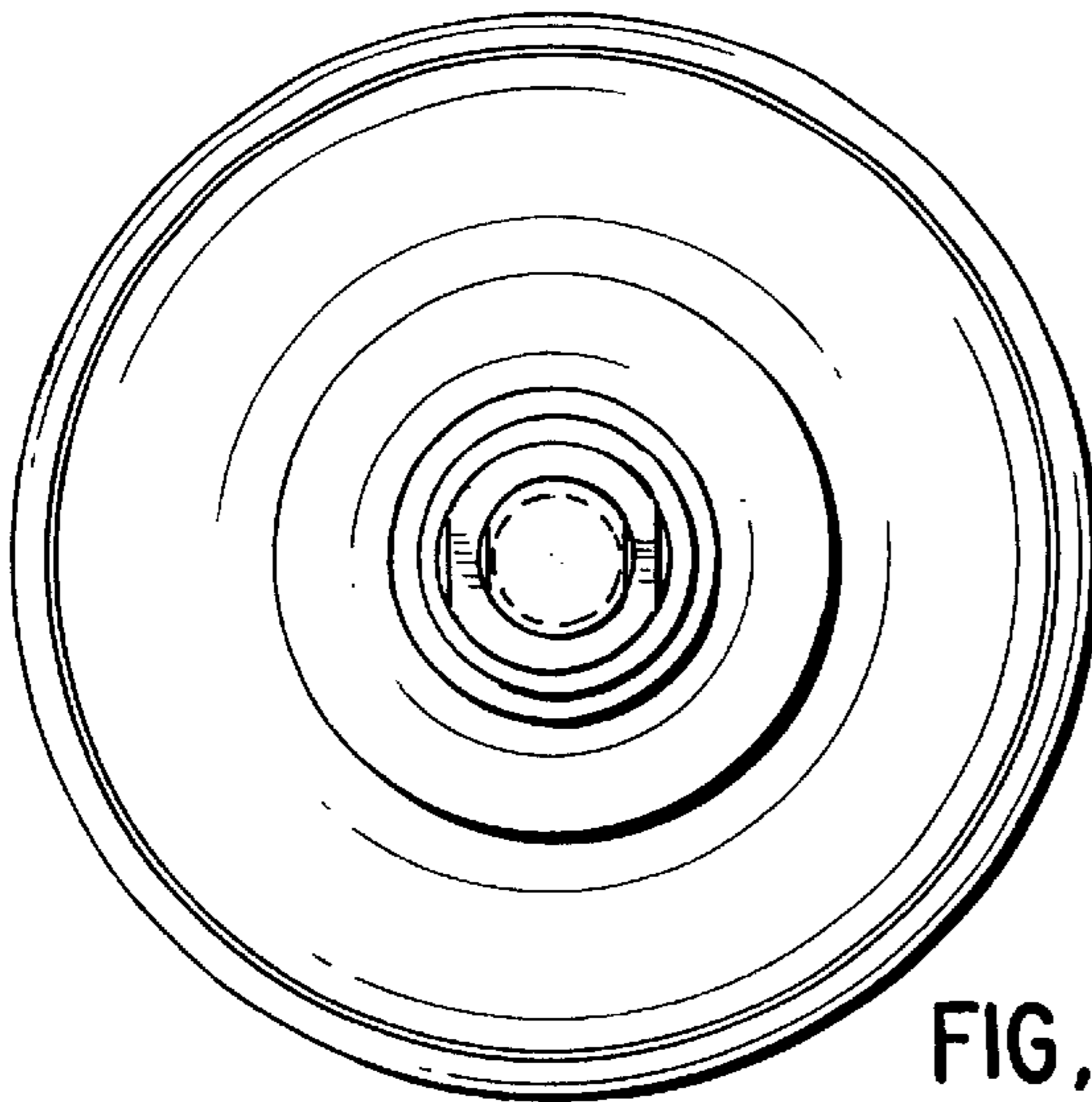


FIG. 5