



US00D511807S

(12) **United States Design Patent**
Pan

(10) **Patent No.:** **US D511,807 S**

(45) **Date of Patent:** **** Nov. 22, 2005**

(54) **SHOWERHEAD**

(75) **Inventor:** **Chia-Chen Pan**, Changhua Hsien (TW)

(73) **Assignee:** **Sheng Tai Brassware Co., Ltd.**,
Changhua Hsien (TW)

(**) **Term:** **14 Years**

(21) **Appl. No.:** **29/209,724**

(22) **Filed:** **Jul. 21, 2004**

(51) **LOC (8) Cl.** **23-01**

(52) **U.S. Cl.** **D23/213**

(58) **Field of Search** D23/213, 223,
D23/229, 230; 239/548, 566, 282-3

(56) **References Cited**

U.S. PATENT DOCUMENTS

2,100,186 A	*	11/1937	Hagopian	4/569
3,599,877 A	*	8/1971	Goldschmied	239/562
3,724,760 A	*	4/1973	Smith	239/282
3,858,252 A	*	1/1975	Ejchorszt	4/615

D441,049 S	*	4/2001	Cavanaugh	D23/213
D495,777 S	*	9/2004	Aubry et al.	D23/213
D502,985 S	*	3/2005	Katzke	D23/213
D503,211 S	*	3/2005	Lin	D23/213

* cited by examiner

Primary Examiner—Robin V. Taylor

(74) *Attorney, Agent, or Firm*—HersHKovitz & Associates;
Abe HersHKovitz

(57) **CLAIM**

The ornamental design for a showerhead, as shown.

DESCRIPTION

FIG. 1 is a perspective view of a showerhead, showing my new design;

FIG. 2 is a front view thereof;

FIG. 3 is a rear view thereof;

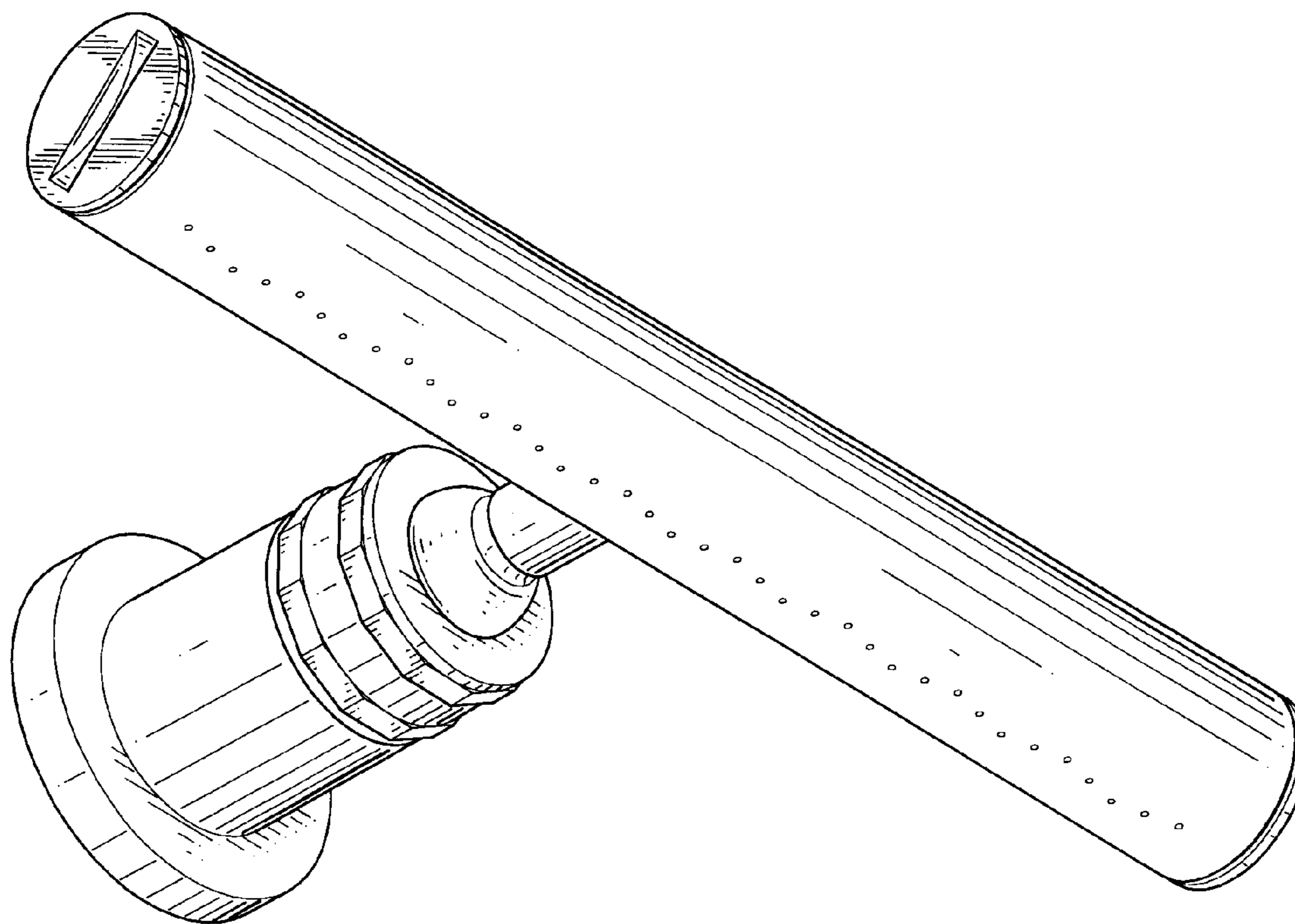
FIG. 4 is a left side view thereof;

FIG. 5 is a right side view thereof;

FIG. 6 is a top view thereof; and,

FIG. 7 is a bottom view thereof.

1 Claim, 5 Drawing Sheets



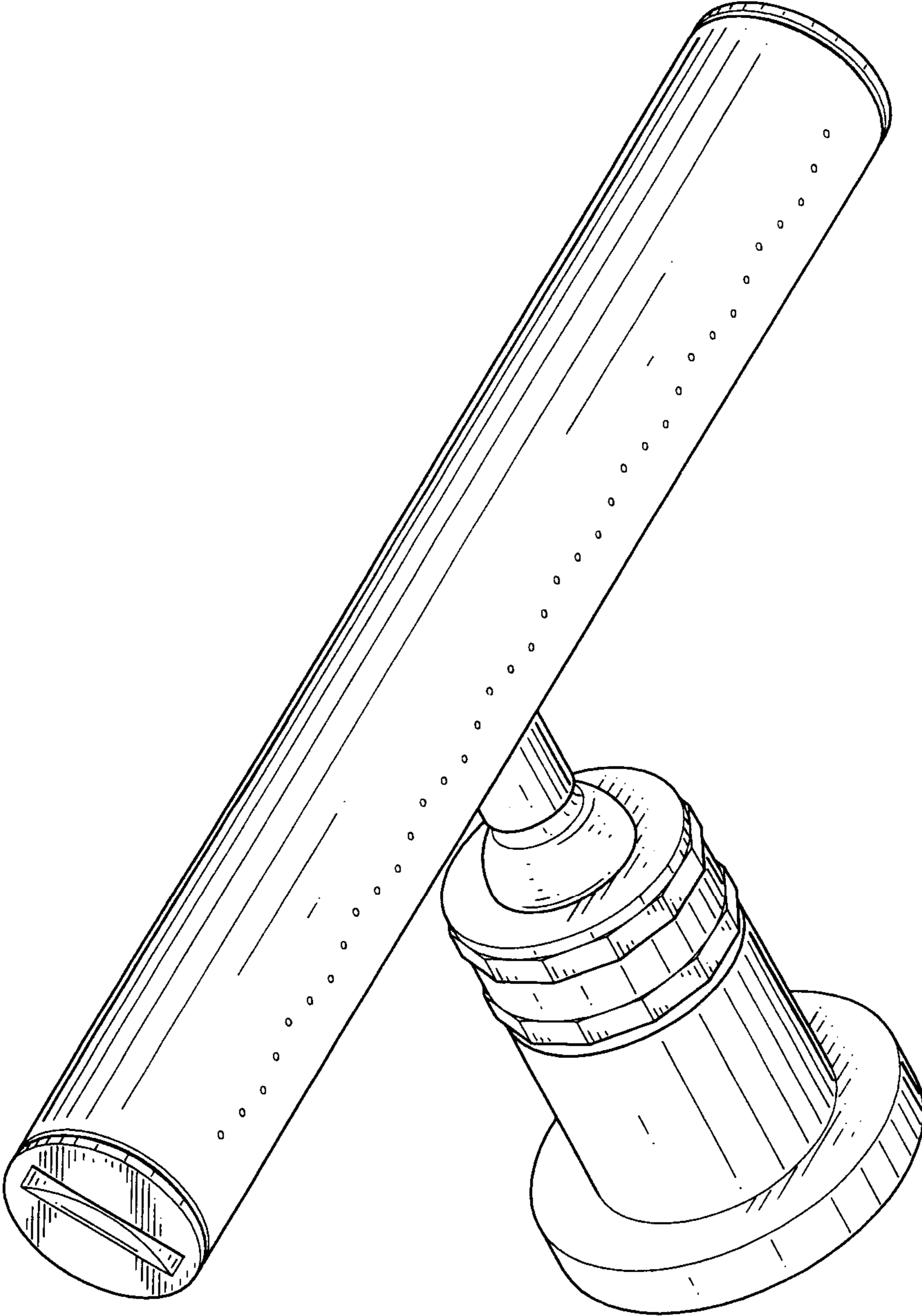


FIG.1

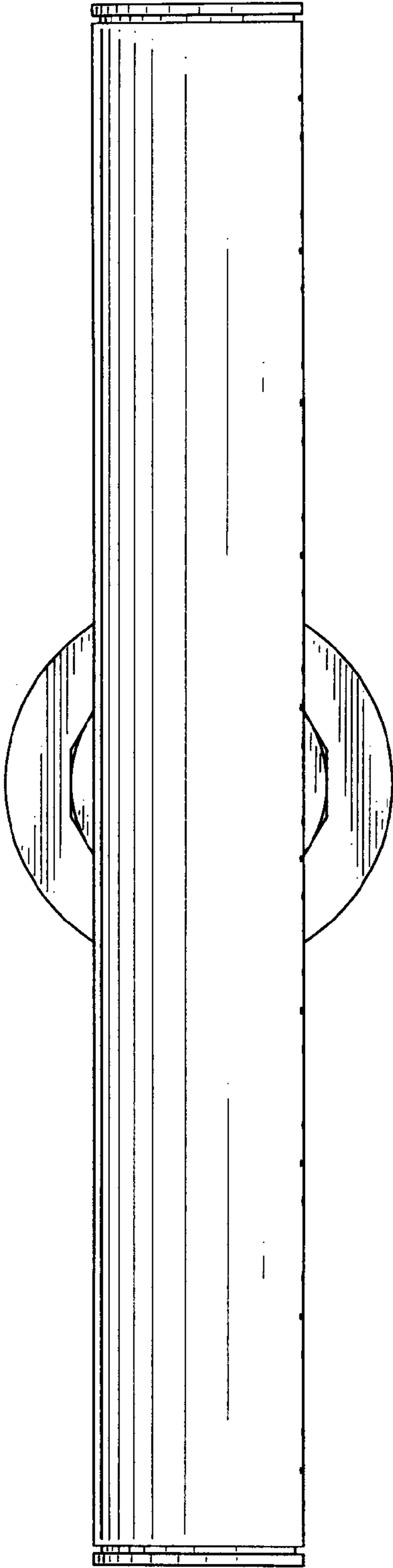


FIG. 2

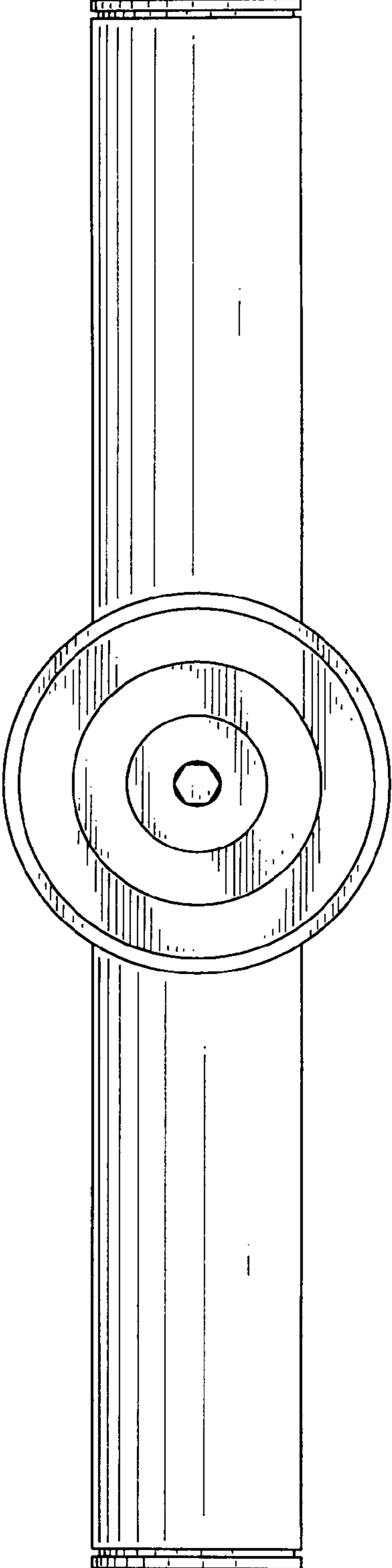


FIG. 3

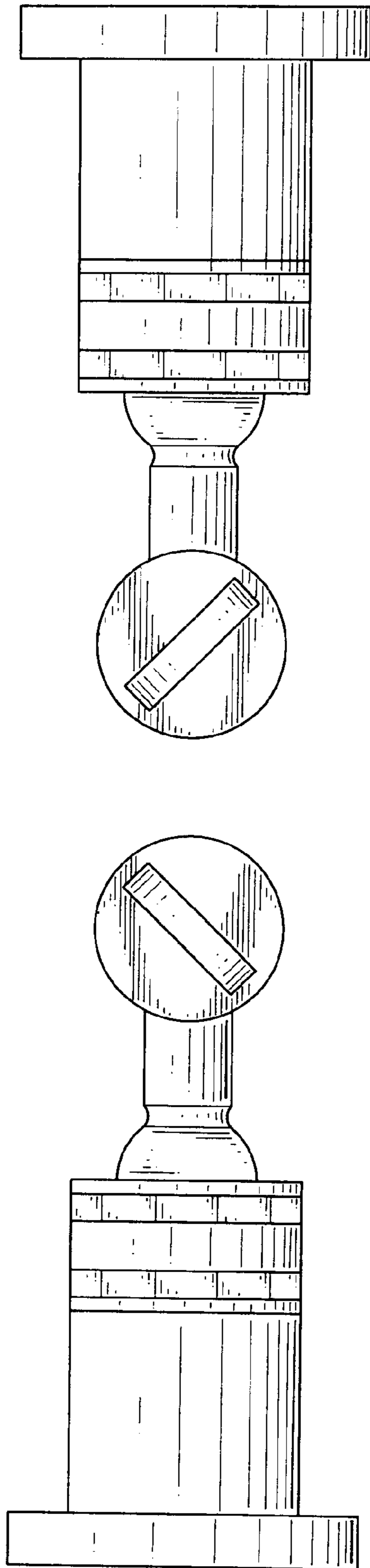


FIG.5

FIG.4

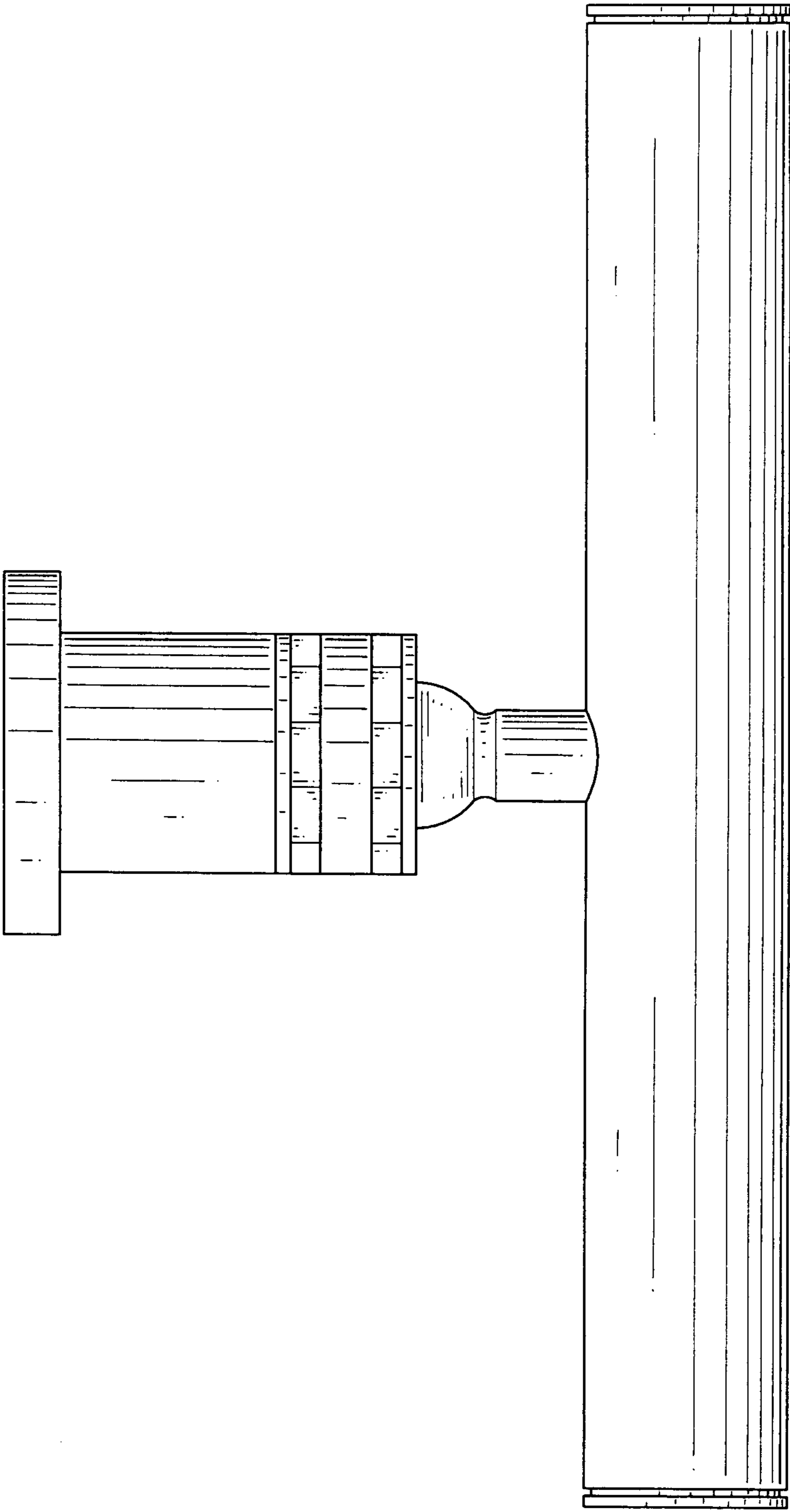


FIG.6

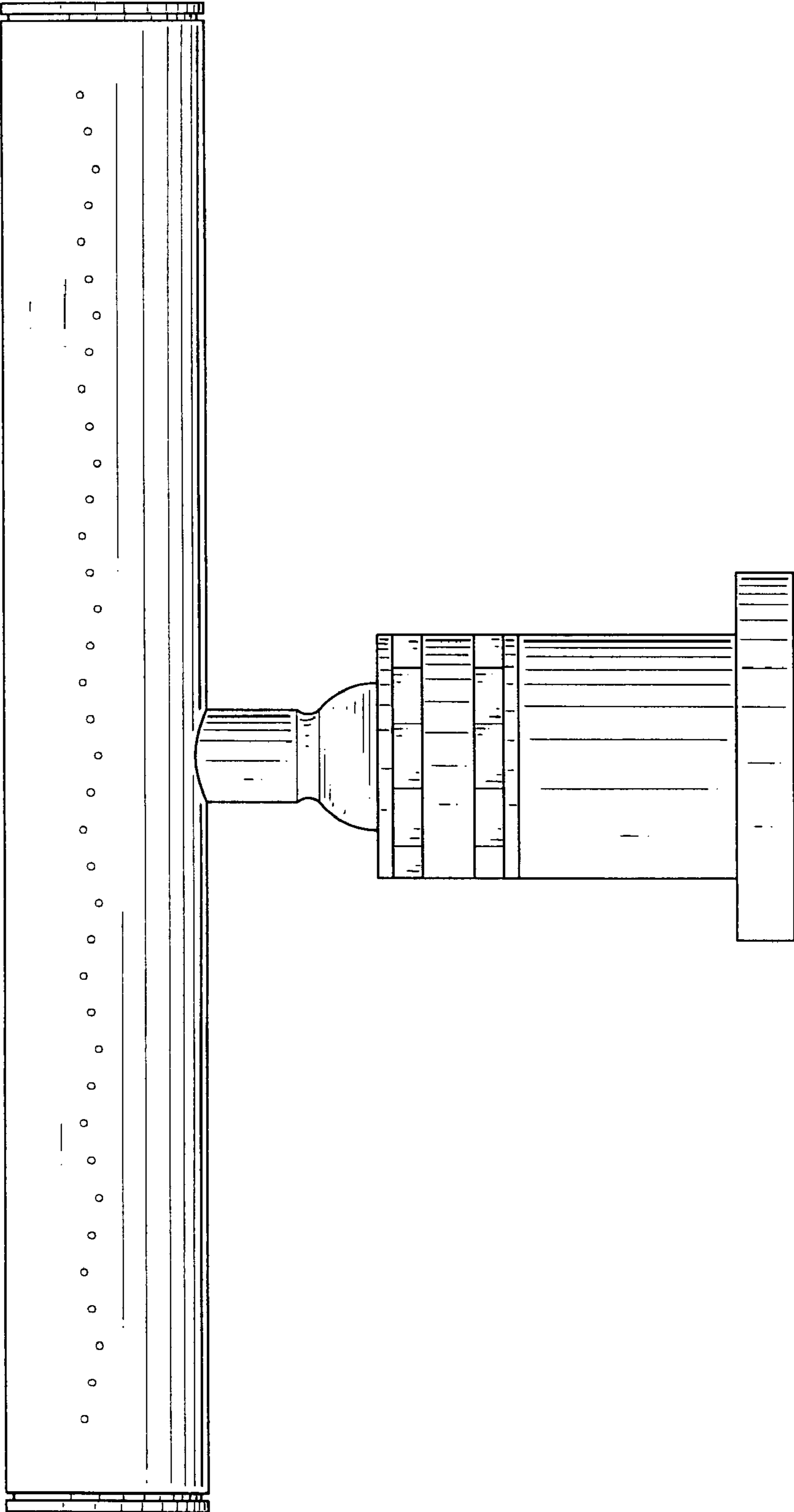


FIG.7