



US00D511801S

(12) **United States Design Patent**  
**Garcia**

(10) **Patent No.:** **US D511,801 S**

(45) **Date of Patent:** **\*\* Nov. 22, 2005**

(54) **GOLF CLUB HEAD**

(76) **Inventor:** **Larry Garcia**, 396 Oakland Beach Ave., Rye, NY (US) 10580

(\*\*) **Term:** **14 Years**

(21) **Appl. No.:** **29/208,783**

(22) **Filed:** **Jul. 2, 2004**

(51) **LOC (8) Cl.** ..... **21-02**

(52) **U.S. Cl.** ..... **D21/742**

(58) **Field of Search** ..... D21/736-746;  
473/324-331, 251-256, 340, 341

(56) **References Cited**

**U.S. PATENT DOCUMENTS**

D235,074 S	*	5/1975	McCabe	.....	D21/744
D294,511 S	*	3/1988	Durket	.....	D21/742
D297,445 S	*	8/1988	Shearer	.....	D21/743
D318,088 S	*	7/1991	Antonious	.....	D21/740
D322,829 S	*	12/1991	Antonious	.....	D21/742

D360,669 S	*	7/1995	Buscemi et al.	.....	D21/743
D360,670 S	*	7/1995	Nilsson	.....	D21/741
D380,514 S	*	7/1997	Markley	.....	D21/741

\* cited by examiner

*Primary Examiner*—Mitchell Siegel

(57) **CLAIM**

The ornamental design for a golf club head, as shown in the drawing.

**DESCRIPTION**

FIG. 1 is a perspective view of a golf club head showing my new design.

FIG. 2 is a top plan view thereof.

FIG. 3 is a left side elevation view thereof.

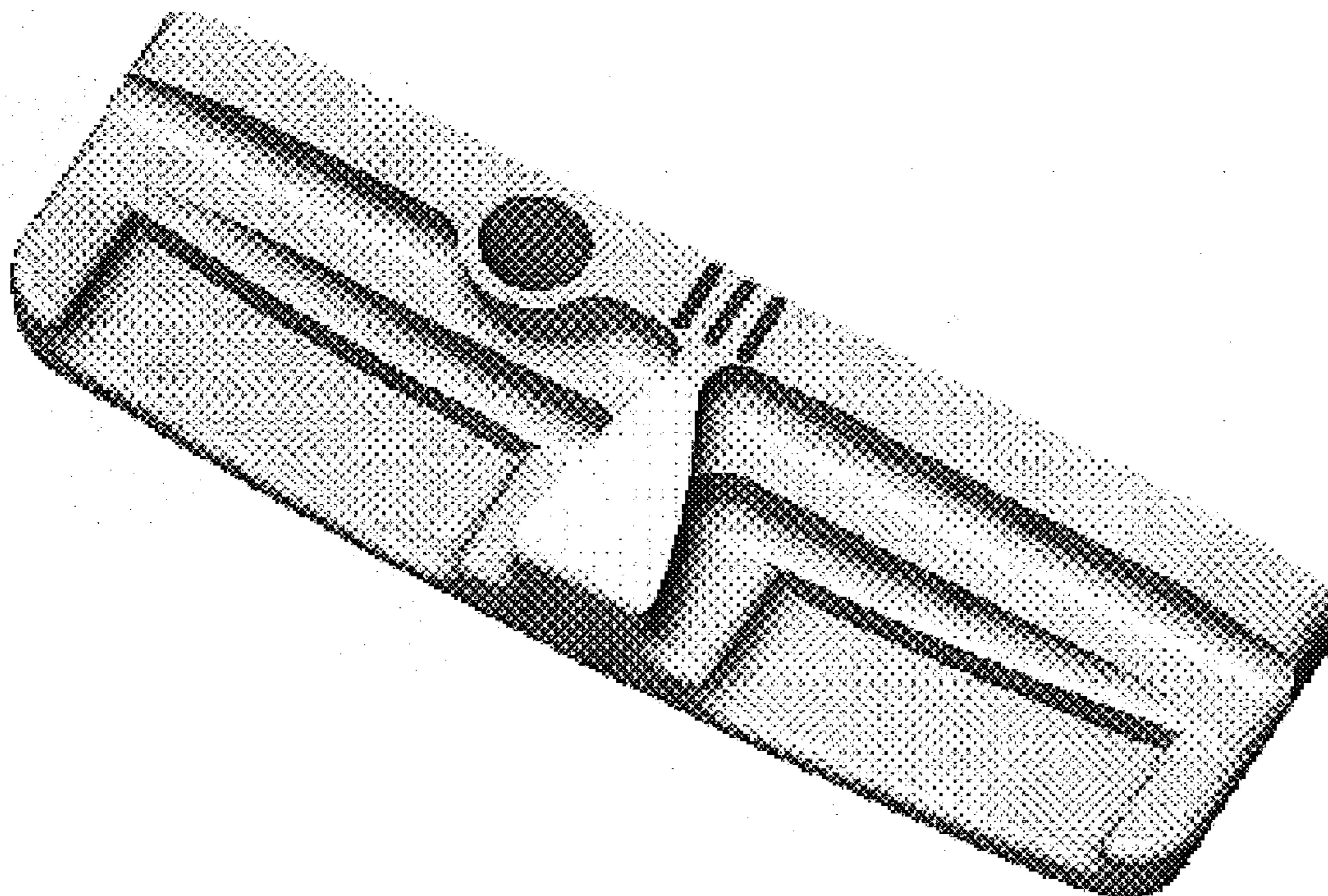
FIG. 4 is a right side elevation view thereof.

FIG. 5 is a bottom plan view thereof.

FIG. 6 is a front elevation view thereof; and,

FIG. 7 is a rear elevation view thereof.

**1 Claim, 2 Drawing Sheets**



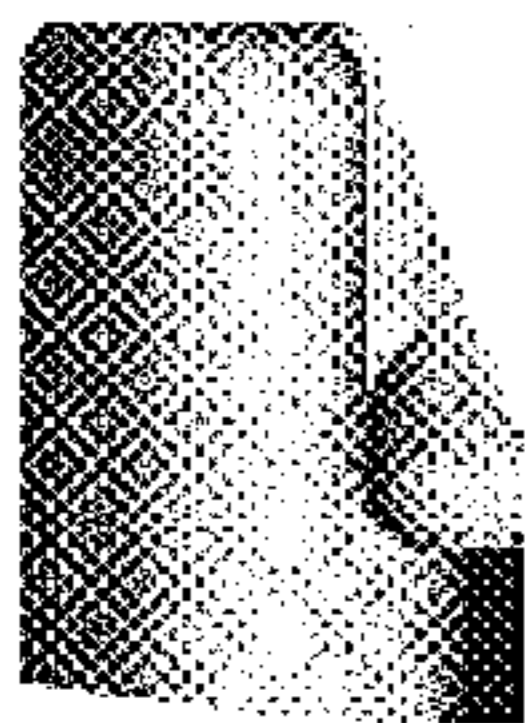


FIG. 3

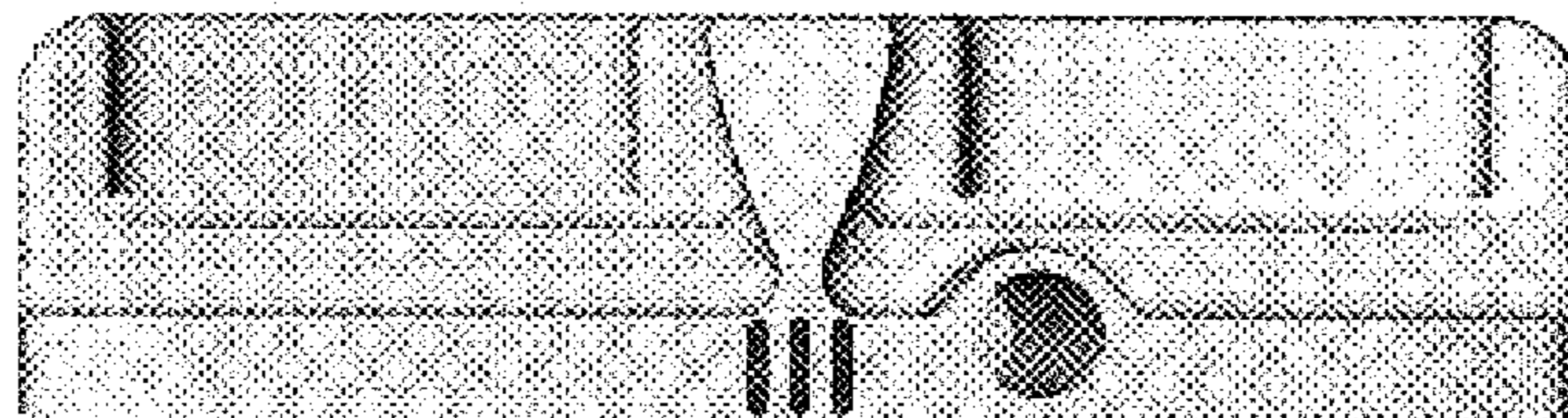


FIG. 2

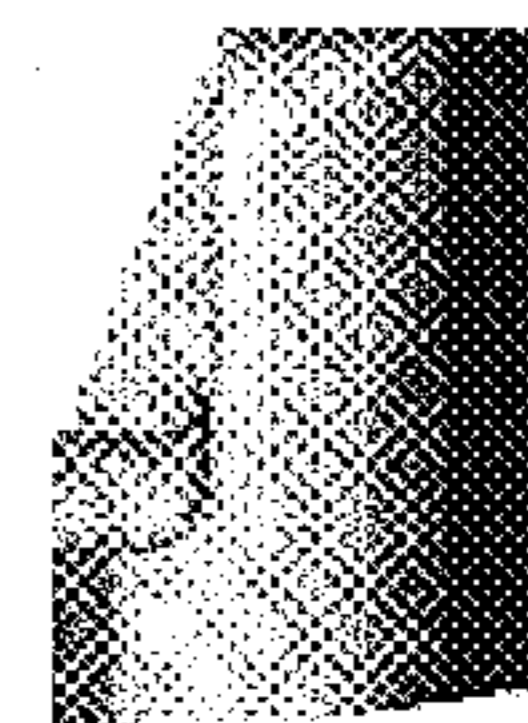


FIG. 4

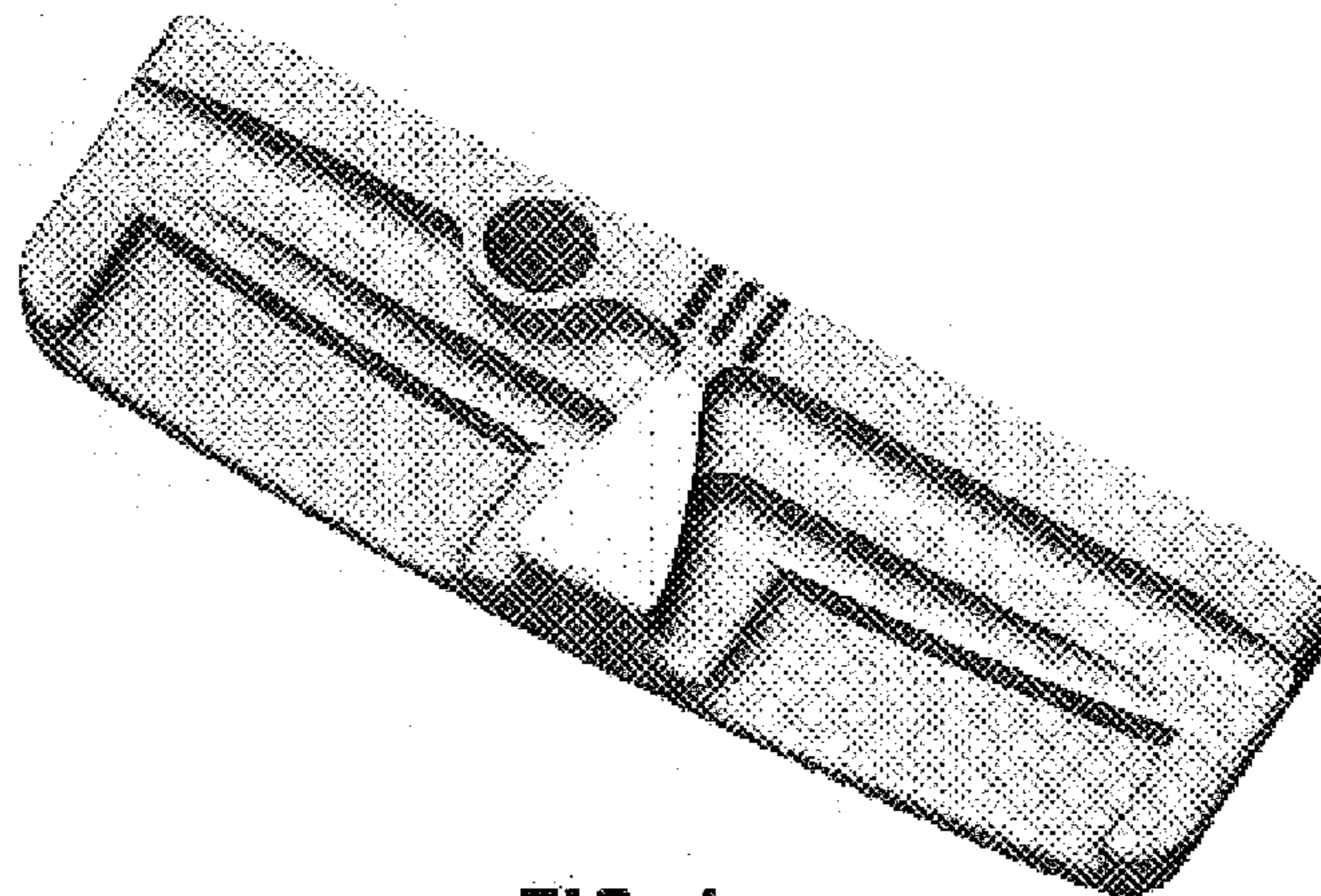
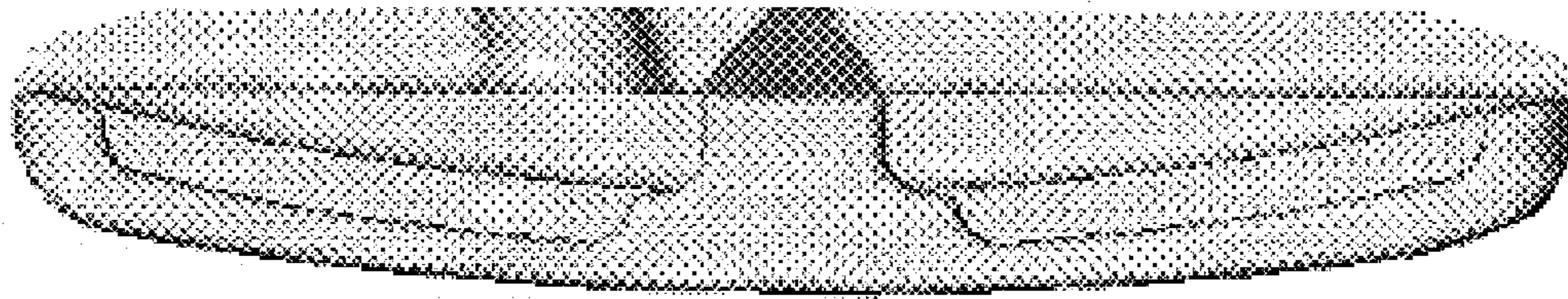
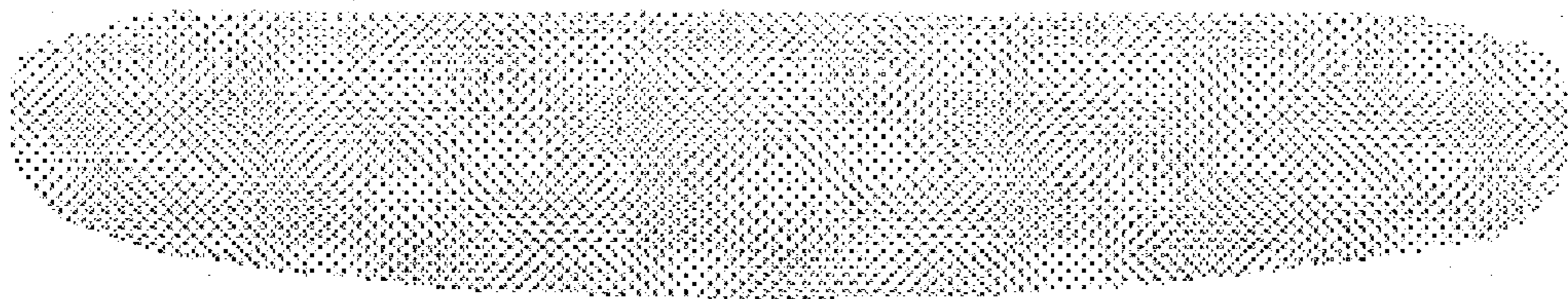


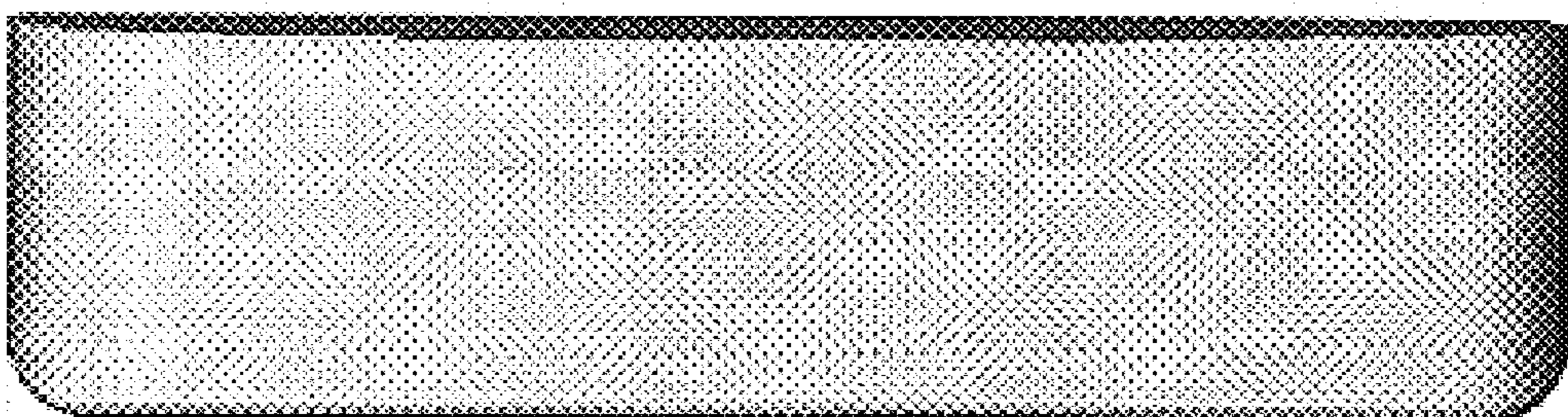
FIG. 1



**FIG. 7**



**FIG. 6**



**FIG. 5**