



US00D511797S

(12) **United States Design Patent**
Tabor et al.

(10) **Patent No.: US D511,797 S**

(45) **Date of Patent: ** *Nov. 22, 2005**

(54) **KITE**

(76) Inventors: **Don Tabor**, 30765 Pacific Coast Hwy.,
Suite 300, Malibu, CA (US) 90265;
Francis Alonso, 30765 Pacific Coast
Hwy., Suite 300, Malibu, CA (US)
90265

(*) Notice: This patent is subject to a terminal dis-
claimer.

(**) Term: **14 Years**

(21) Appl. No.: **29/215,052**

(22) Filed: **Oct. 13, 2004**

(51) **LOC (8) Cl.** **21-01**

(52) **U.S. Cl.** **D21/445; D21/449**

(58) **Field of Search** D21/436-454;
446/34-68; 244/153 R, 154, 153 A, 155 A

(56) **References Cited**

U.S. PATENT DOCUMENTS

1,620,882 A	*	3/1927	Founds	244/154
D74,130 S	*	12/1927	Willock	D11/163
2,035,730 A	*	3/1936	Trevor	244/154
D105,142 S	*	6/1937	Samour	D21/450
4,272,912 A	*	6/1981	Lapierre	446/34

D314,987 S	*	2/1991	Kovats	D21/445
D407,126 S	*	3/1999	Wang	D21/445
D432,187 S	*	10/2000	Wang	D21/445
6,290,178 B1	*	9/2001	Wang	244/153 R
D460,987 S	*	7/2002	Wang	D21/445
6,598,833 B2	*	7/2003	Tabor	244/154

* cited by examiner

Primary Examiner—Catherine Tuttle
(74) *Attorney, Agent, or Firm*—Louis J. Bachand

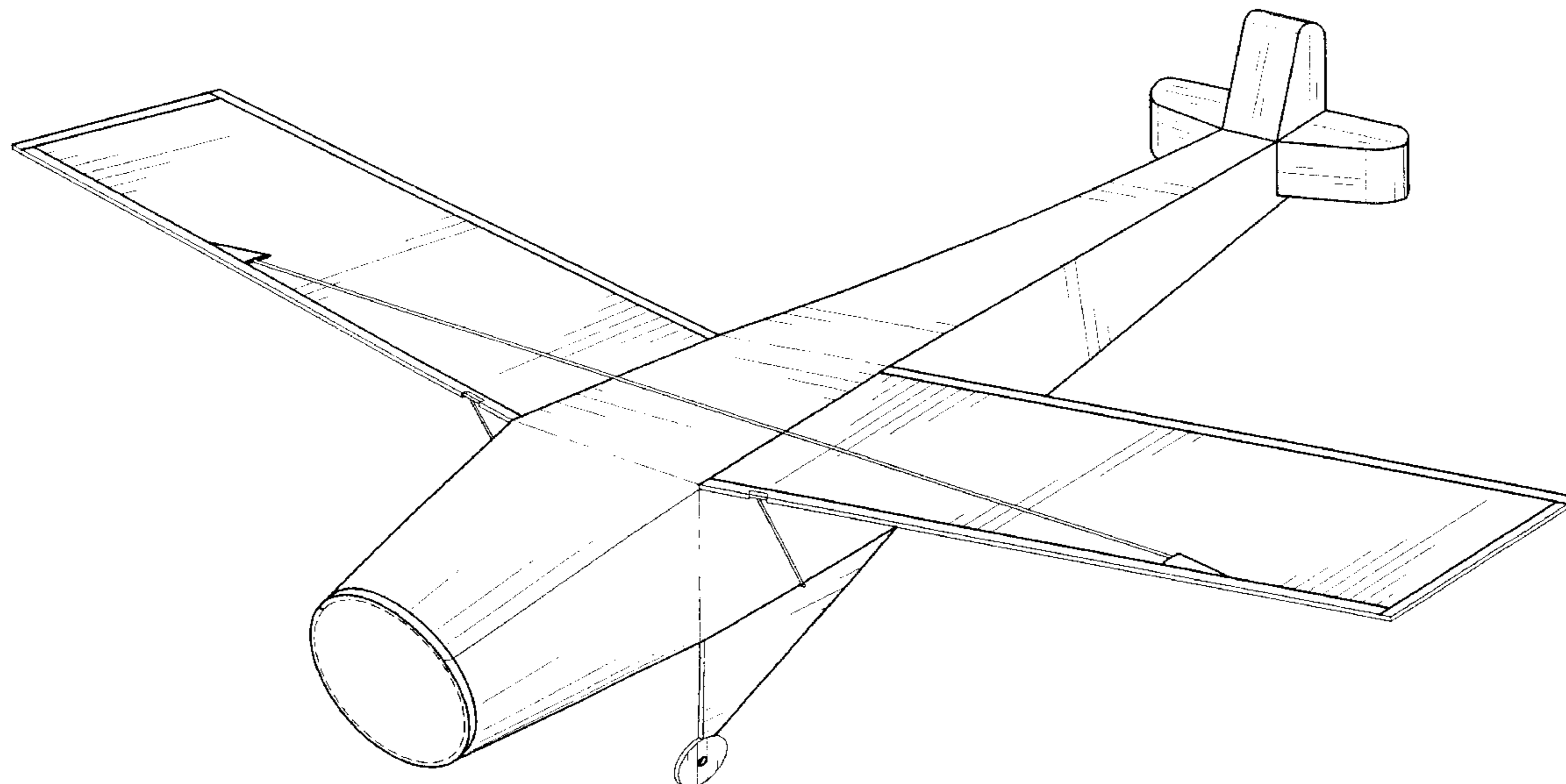
(57) **CLAIM**

We claim the ornamental design for a kite, as shown and described.

DESCRIPTION

FIG. 1 is a perspective view of the kite design;
FIG. 2 is a top plan view thereof;
FIG. 3 is a bottom plan view thereof;
FIG. 4 is a front elevational view thereof;
FIG. 5 is a rear elevational view thereof; and,
FIG. 6 is a right side elevational view thereof, the left side being a mirror image thereof.
The portion shown in broken lines in FIGS. 1 and 4 is for illustrative purposes only and forms no part of the claimed design.

1 Claim, 3 Drawing Sheets



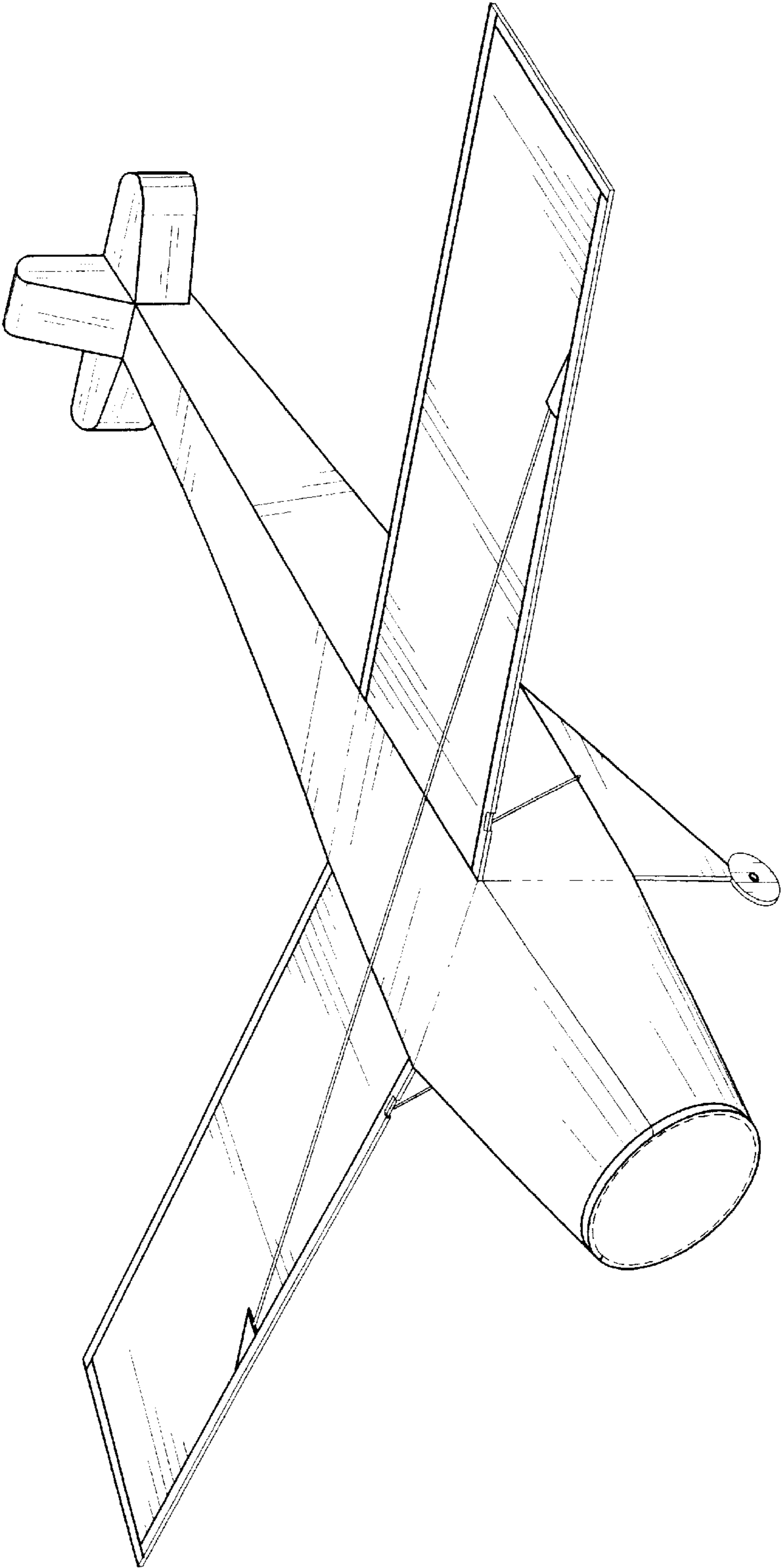
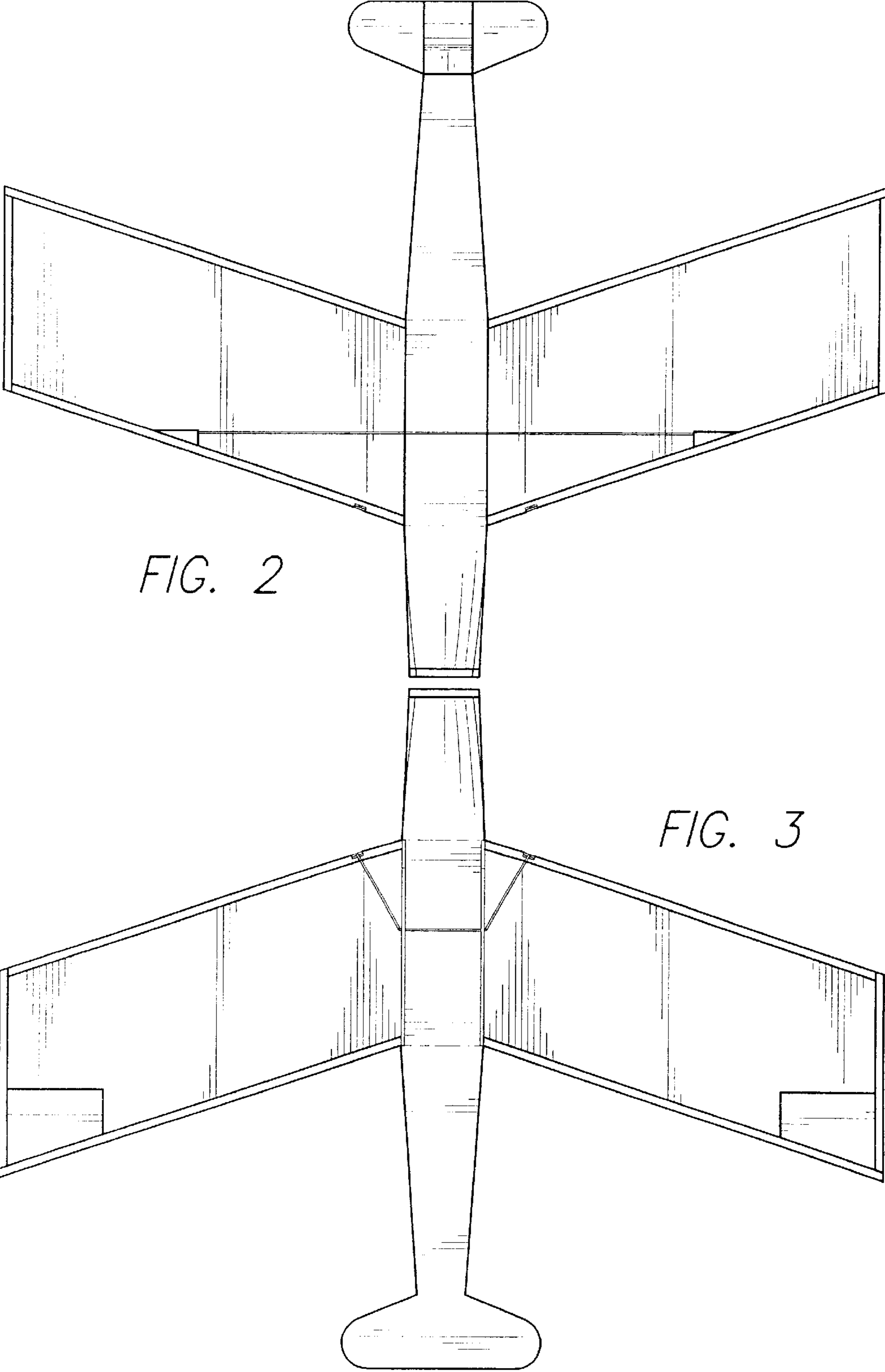


FIG. 1



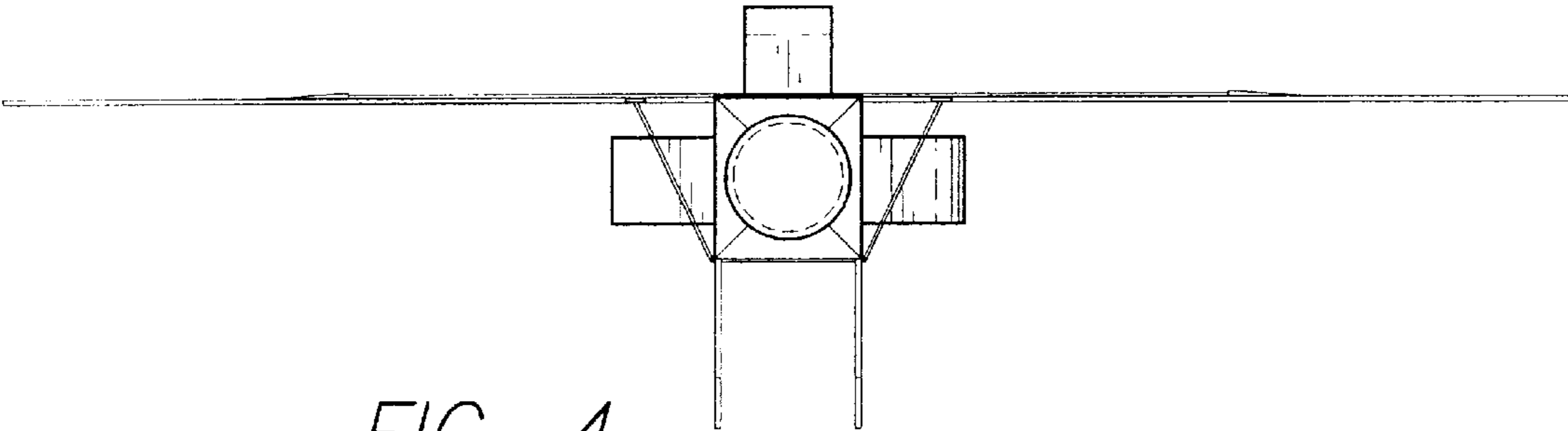


FIG. 4

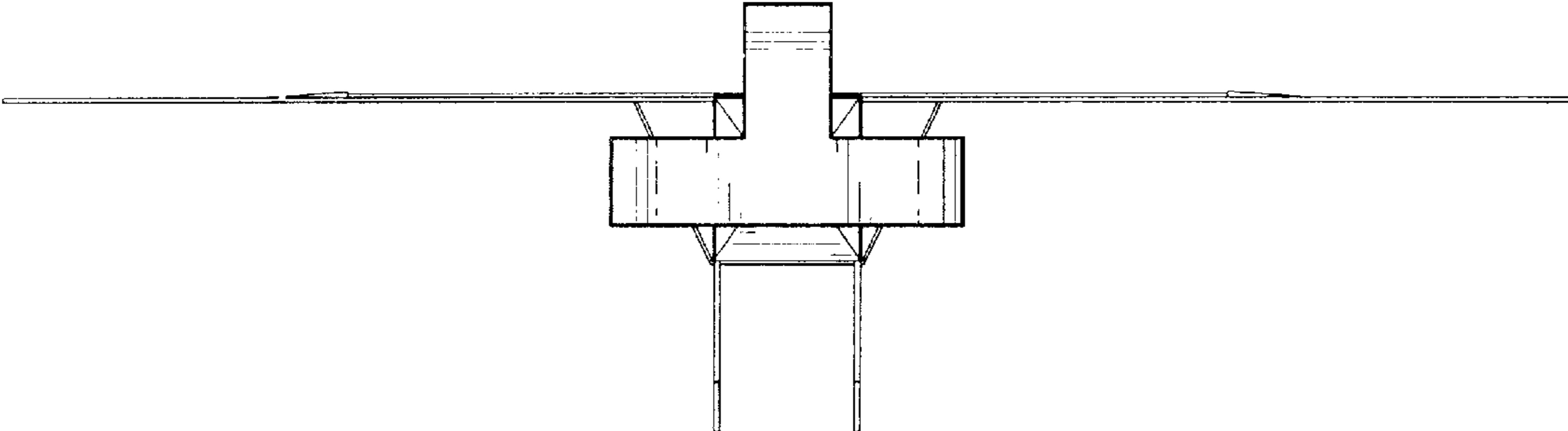


FIG. 5

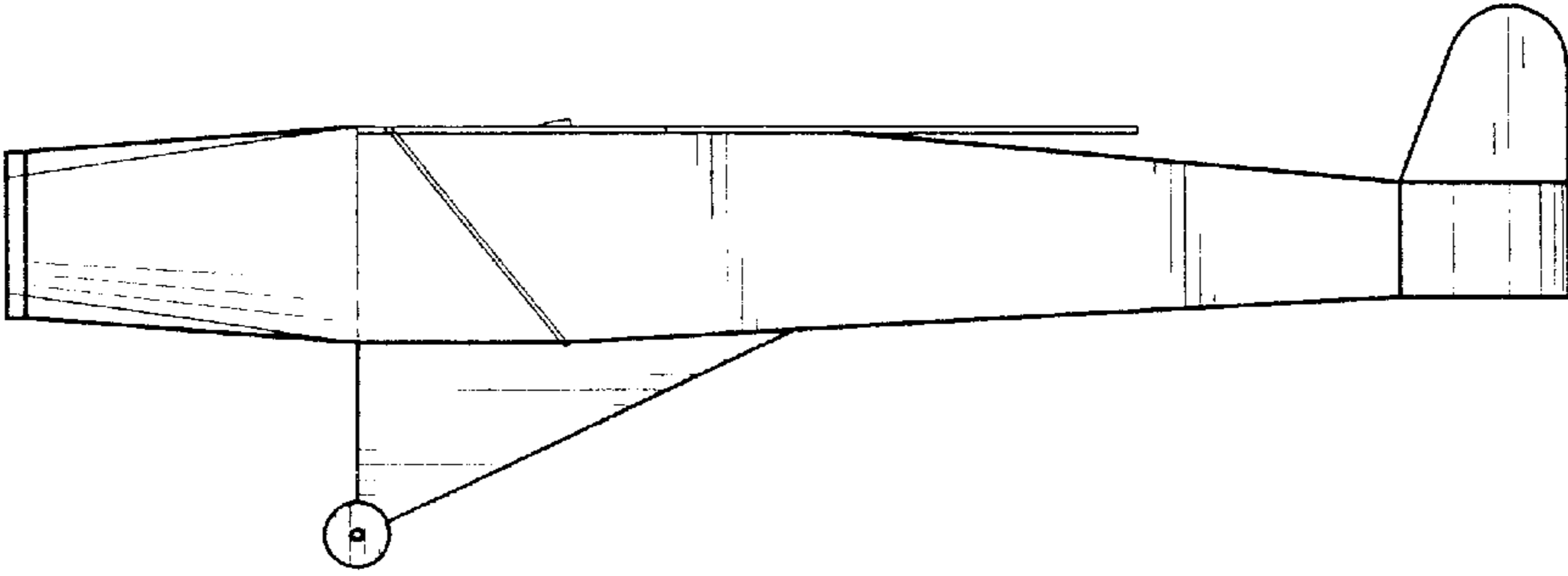


FIG. 6