



US00D511795S

(12) **United States Design Patent**
Hopkins

(10) **Patent No.:** **US D511,795 S**
(45) **Date of Patent:** **** Nov. 22, 2005**

(54) **SIGN**

Primary Examiner—Robert M. Spear

(76) **Inventor:** **Craig S. Hopkins**, 356 State Route
408E, Hickory, KY (US) 42051

(74) *Attorney, Agent, or Firm*—Greenebaum Doll &
McDonald PLLC; James C. Eaves, Jr.

(**) **Term:** **14 Years**

(57) **CLAIM**

(21) **Appl. No.:** **29/197,940**

The ornamental design for a sign, as shown and described.

(22) **Filed:** **Jan. 22, 2004**

DESCRIPTION

(51) **LOC (8) Cl.** **20-03**

(52) **U.S. Cl.** **D20/29**

(58) **Field of Search** D20/10, 13, 29,
D20/30, 35, 39, 41, 43, 99; D1/106; 40/124.08,
124.16, 124.17, 545, 606.01, 606.18, 624;
248/512, 530; 362/263, 812

FIG. 1 is a perspective view of a sign made in accordance
with the present invention;

FIG. 2 is a front view of the sign of FIG. 1;

FIG. 3 is a right side view of the sign of FIG. 1, the left side
view being a mirror image thereof;

FIG. 4 is a top view of the sign of FIG. 1;

FIG. 5 is a bottom view of the sign of FIG. 1; and,

FIG. 6 is a rear view of the sign of FIG. 1.

The sign support stake shown in broken lines in the Figures
is for illustrative purposes only and forms no part of the
claimed design.

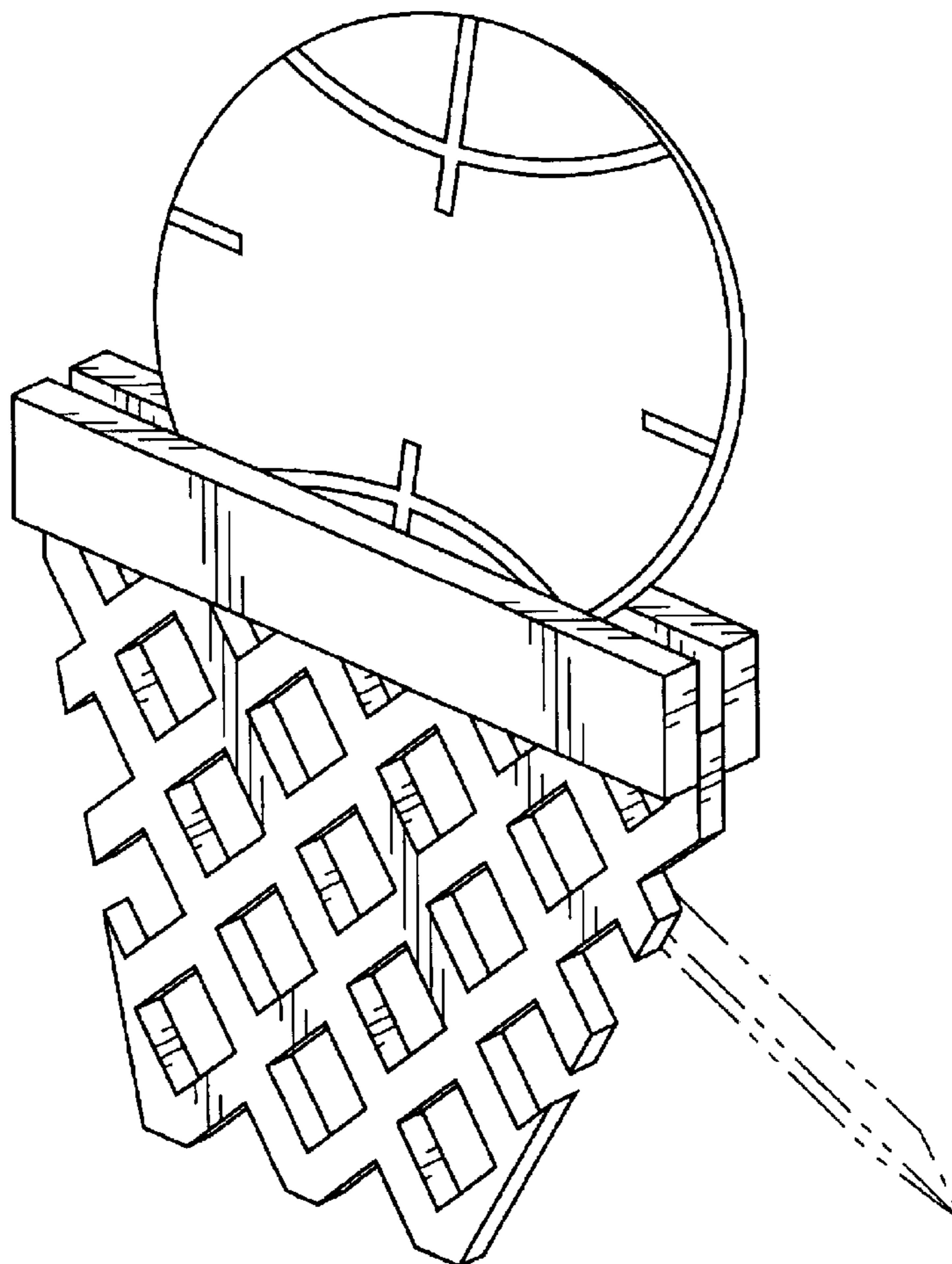
(56) **References Cited**

U.S. PATENT DOCUMENTS

D91,343 S	*	1/1934	Zeiser	D20/10
D91,876 S	*	4/1934	Hammer	D20/37
D304,272 S	*	10/1989	Brown	D6/557
D461,430 S	*	8/2002	Hopkins	D11/149
D476,373 S	*	6/2003	Blasbalg	D20/29

* cited by examiner

1 Claim, 5 Drawing Sheets



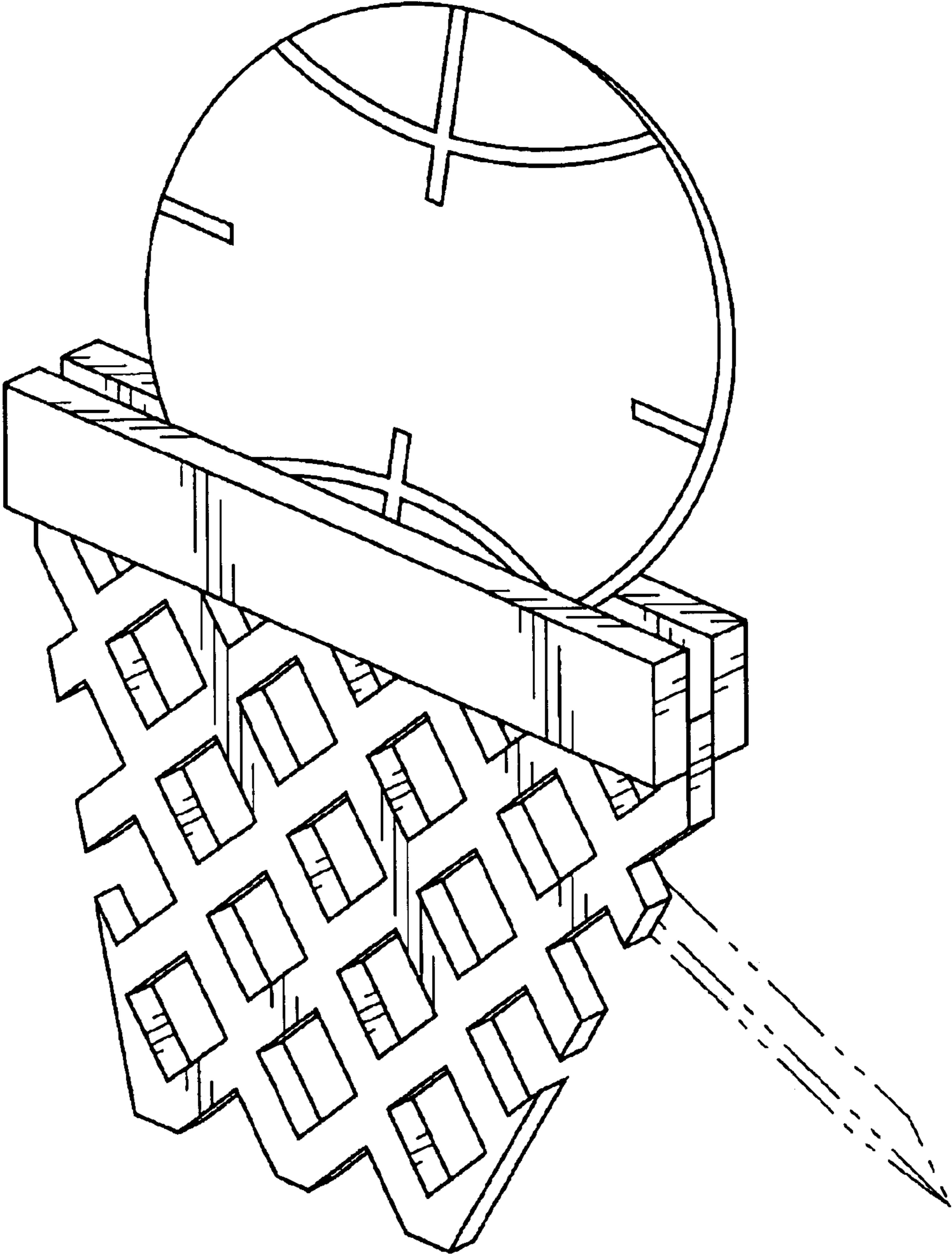


FIG. 1

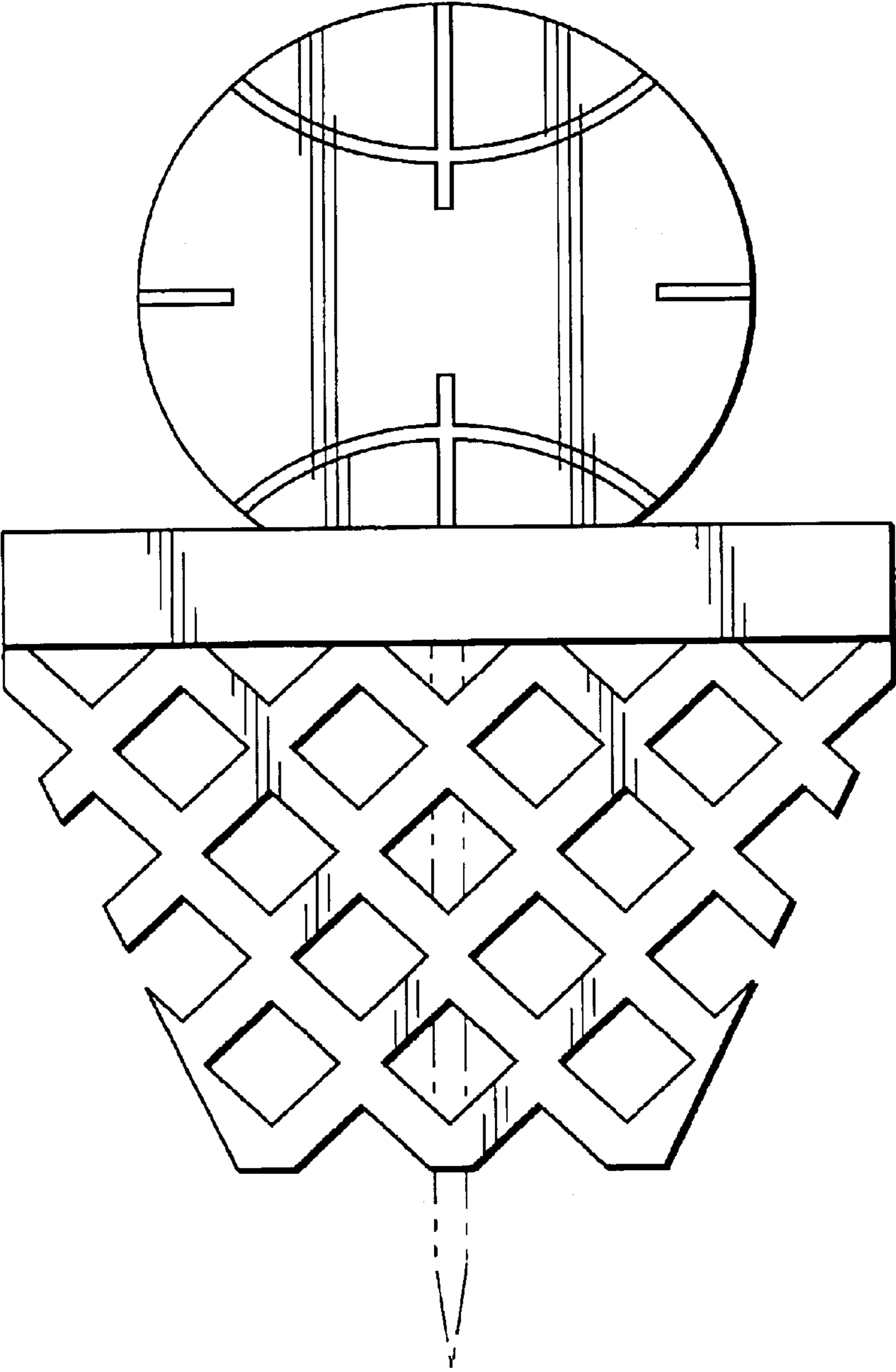


FIG. 2

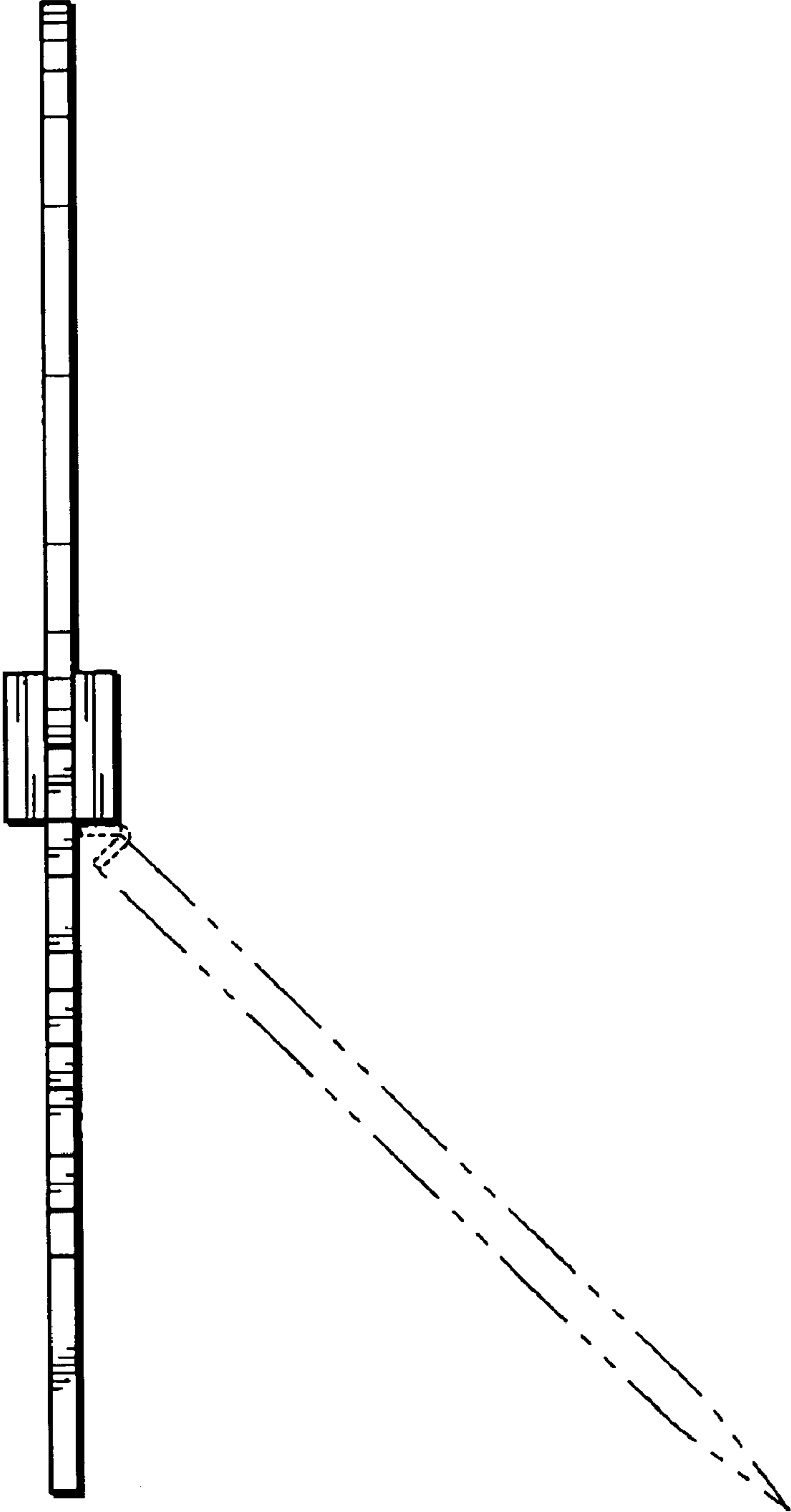


FIG. 3

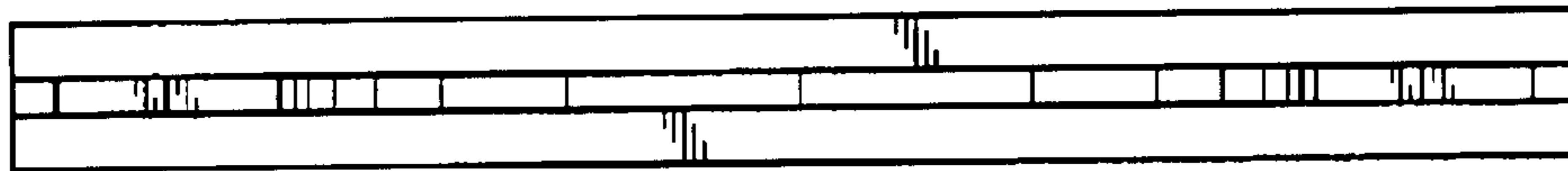


FIG. 4

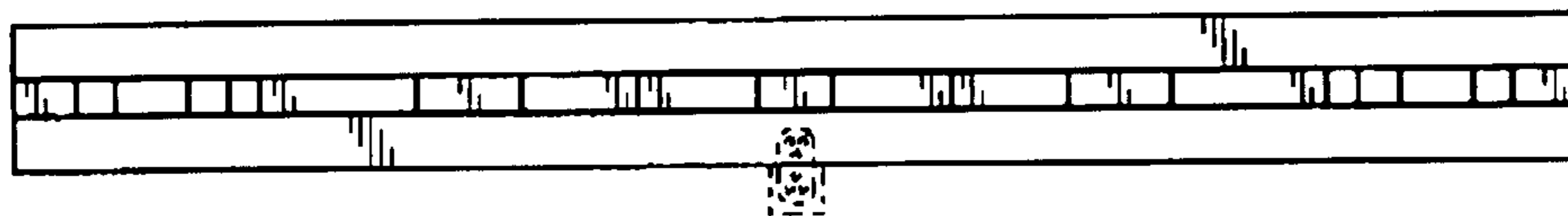


FIG. 5

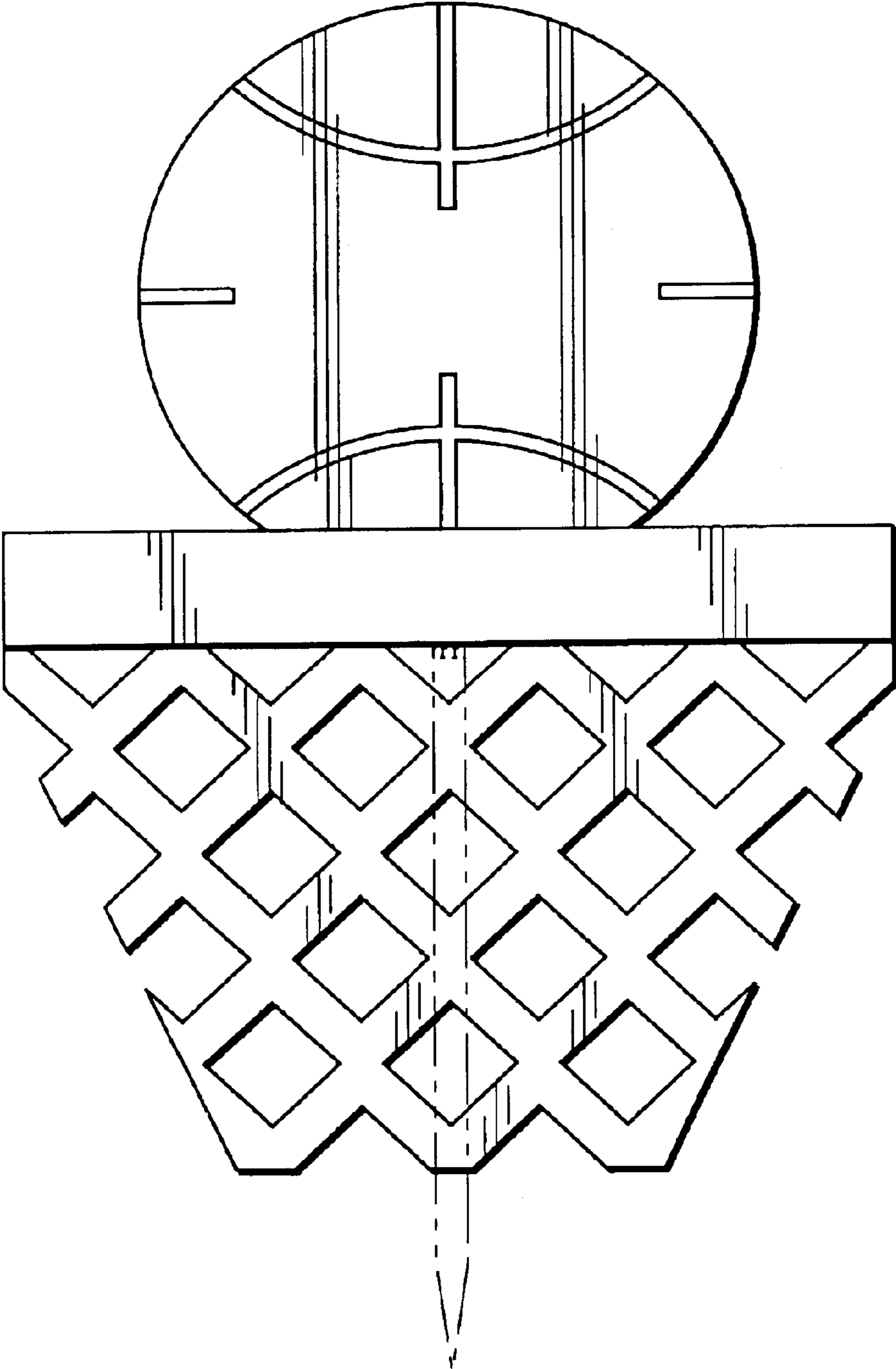


FIG. 6