



US00D511792S

(12) **United States Design Patent**
Shinada et al.

(10) **Patent No.:** **US D511,792 S**

(45) **Date of Patent:** **** Nov. 22, 2005**

(54) **INK CARTRIDGE FOR PRINTER**

D490,846 S * 6/2004 Suzuki et al. D18/56
D492,962 S * 7/2004 Suzuki et al. D18/56

(75) Inventors: **Satoshi Shinada**, Suwa (JP); **Taku Ishizawa**, Suwa (JP); **Yasuto Sakai**, Suwa (JP)

OTHER PUBLICATIONS

Japanese Unexamined Pat. Appln. No. 2003-53984, Feb. 26, 2003.

(73) Assignee: **Seiko Epson Corporation**, Tokyo (JP)

* cited by examiner

(**) Term: **14 Years**

Primary Examiner—Cathy Anne MacCormac

(21) Appl. No.: **29/202,548**

(74) *Attorney, Agent, or Firm*—Stroock & Stroock & Lavan LLP

(22) Filed: **Apr. 1, 2004**

(57) **CLAIM**

(30) **Foreign Application Priority Data**

The ornamental design for an ink cartridge for printer, as shown and described.

Oct. 2, 2003 (JP) 2003-029077

(51) **LOC (8) Cl.** **18-02**

DESCRIPTION

(52) **U.S. Cl.** **D18/56; 347/86**

FIG. 1 is a perspective view of the top, front and left side of an ink cartridge for printer showing our new design; FIG. 2 is a perspective view of the rear, bottom and right side thereof;

(58) **Field of Search** D18/40, 43, 56; 347/86, 87

FIG. 3 is a front view thereof;

(56) **References Cited**

U.S. PATENT DOCUMENTS

D423,043 S * 4/2000 Ishigami et al. D18/56
D445,822 S * 7/2001 Tosa et al. D18/40
D447,513 S * 9/2001 Miyazawa et al. D18/56
D464,672 S * 10/2002 Shinano et al. D18/56
D477,020 S * 7/2003 Seino D18/56
D489,757 S * 5/2004 Matsumoto D18/56

FIG. 4 is a rear view thereof;

FIG. 5 is a top plan view thereof;

FIG. 6 is a bottom plan view thereof;

FIG. 7 is a left side view thereof; and,

FIG. 8 is a right side view thereof.

1 Claim, 6 Drawing Sheets

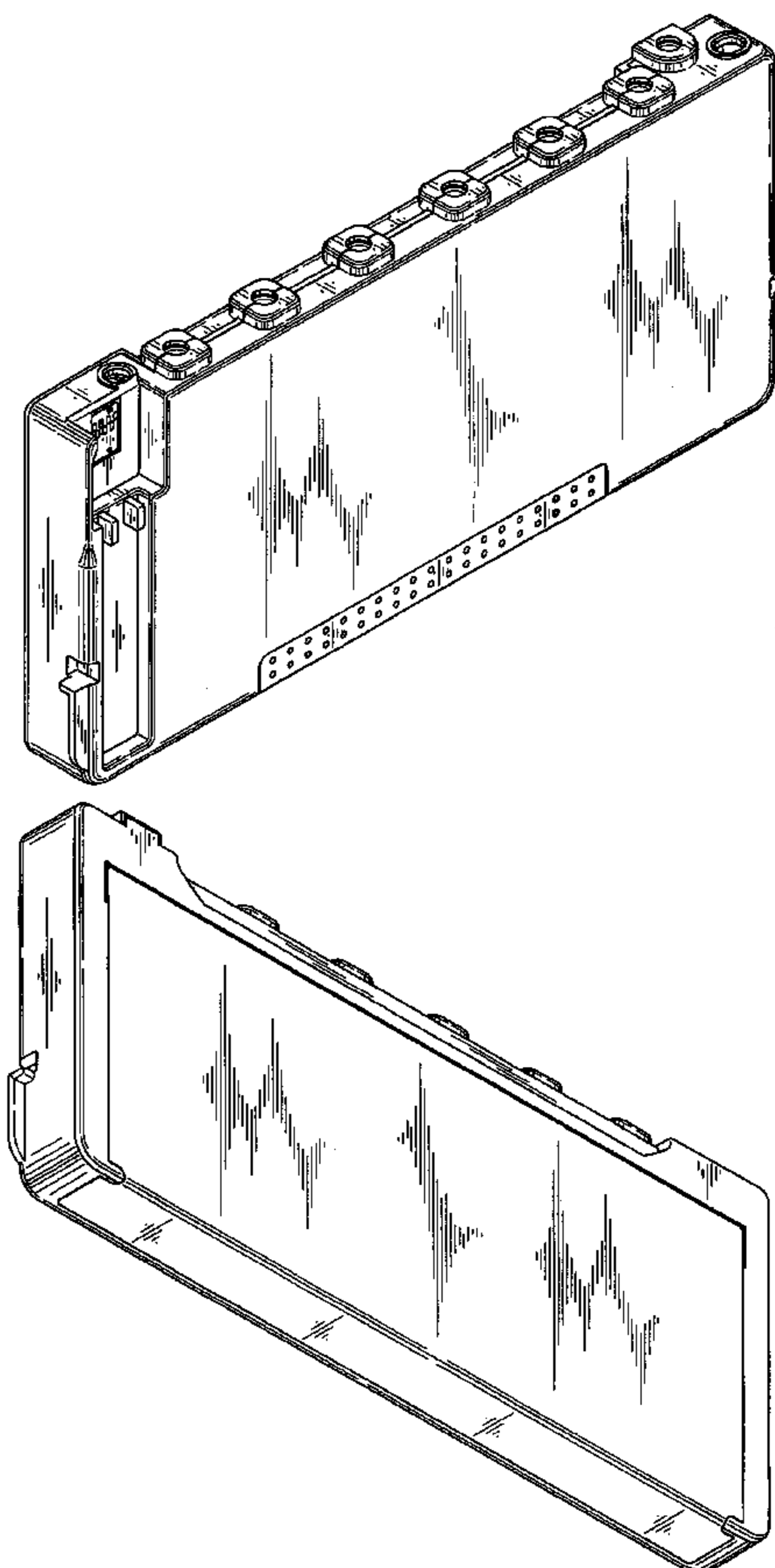


FIG. 1

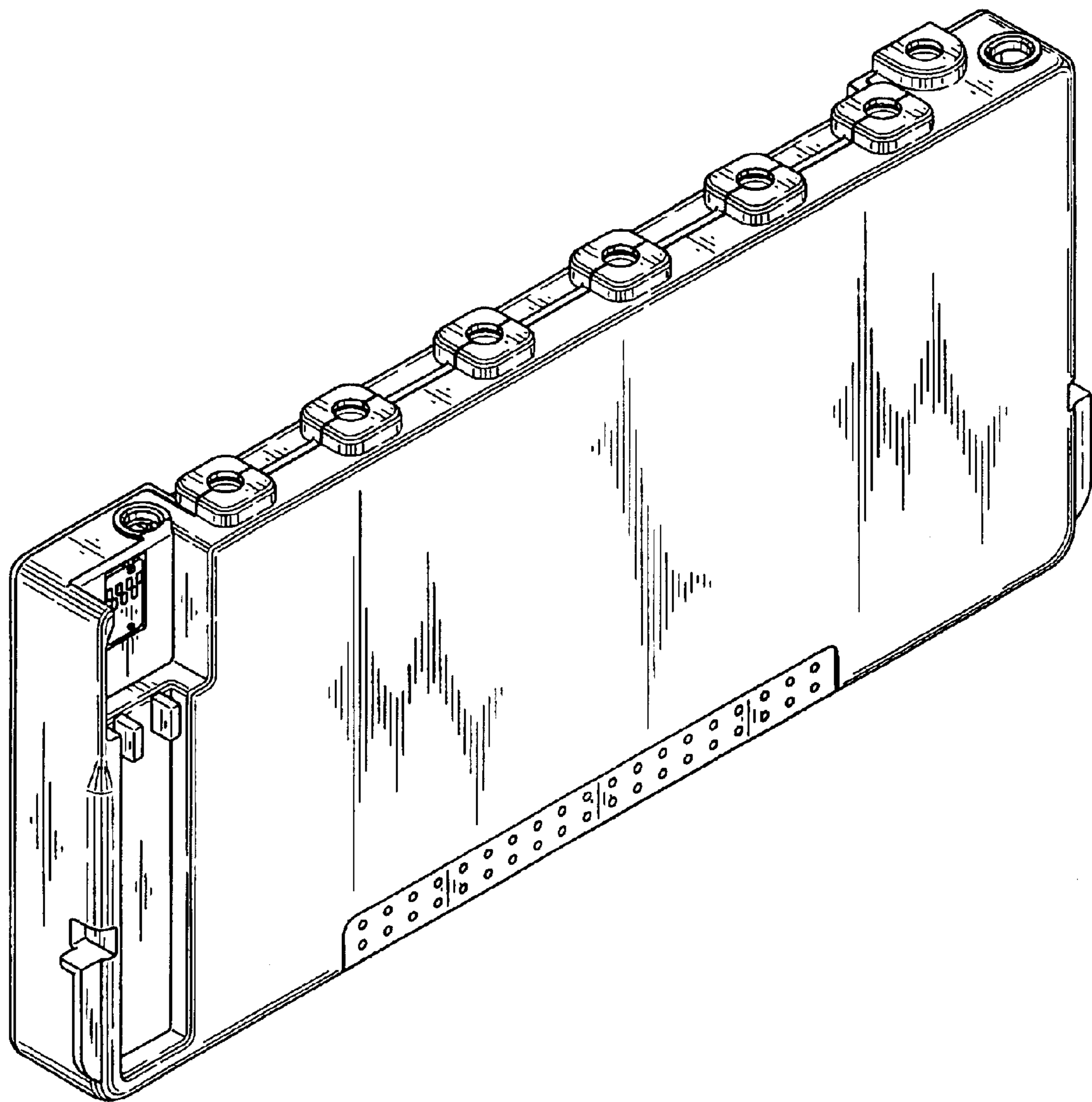


FIG. 2

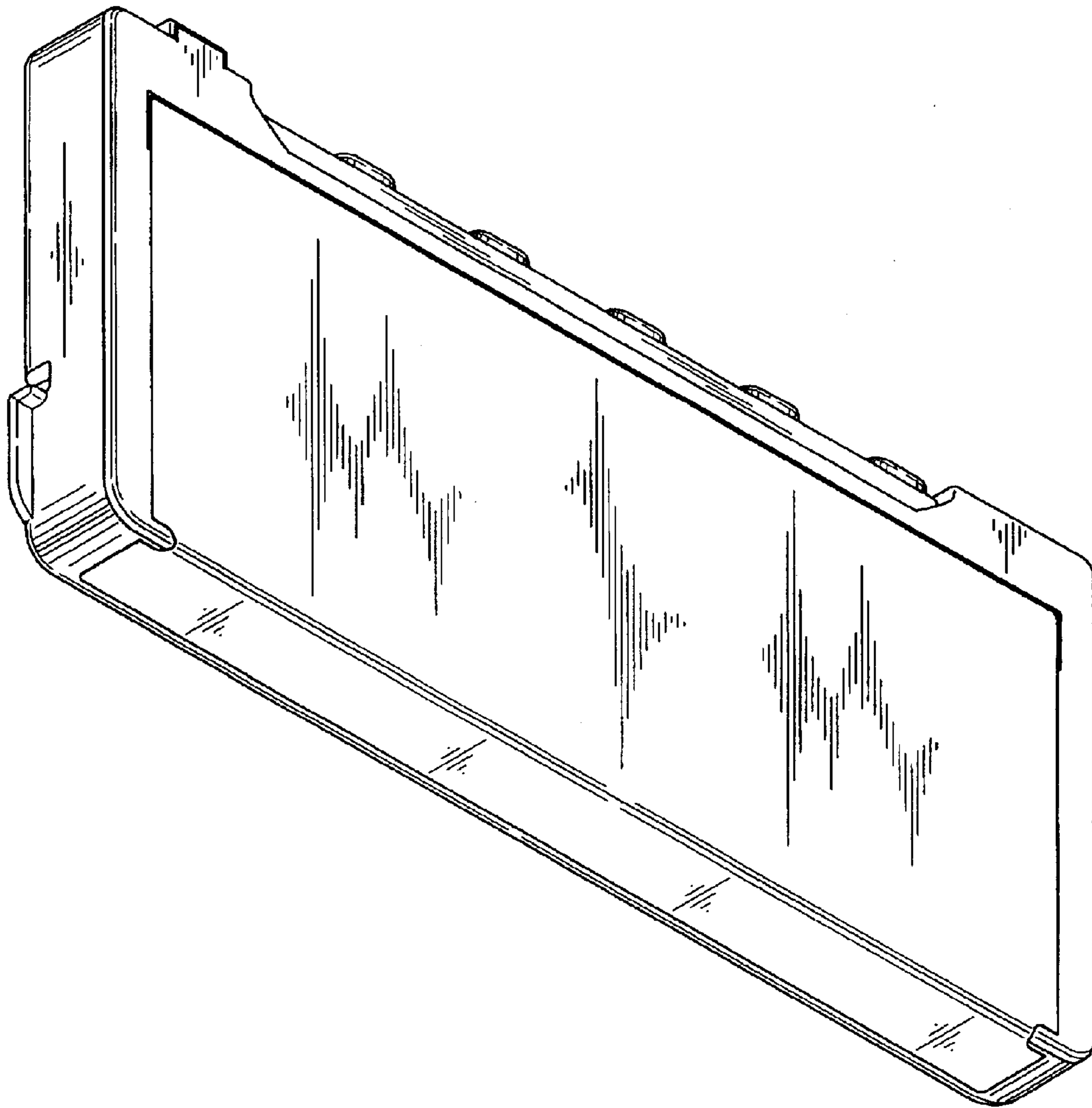


FIG. 3

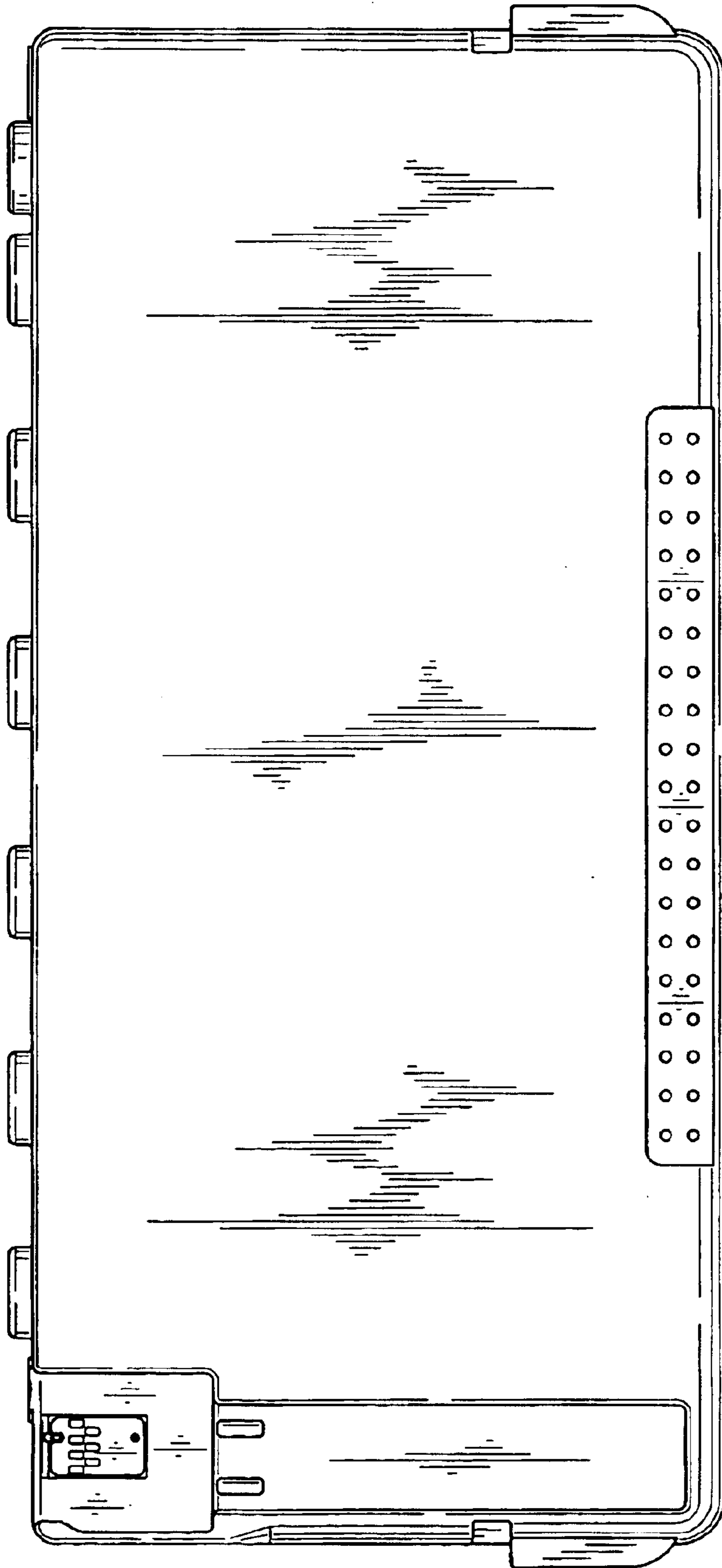


FIG. 4

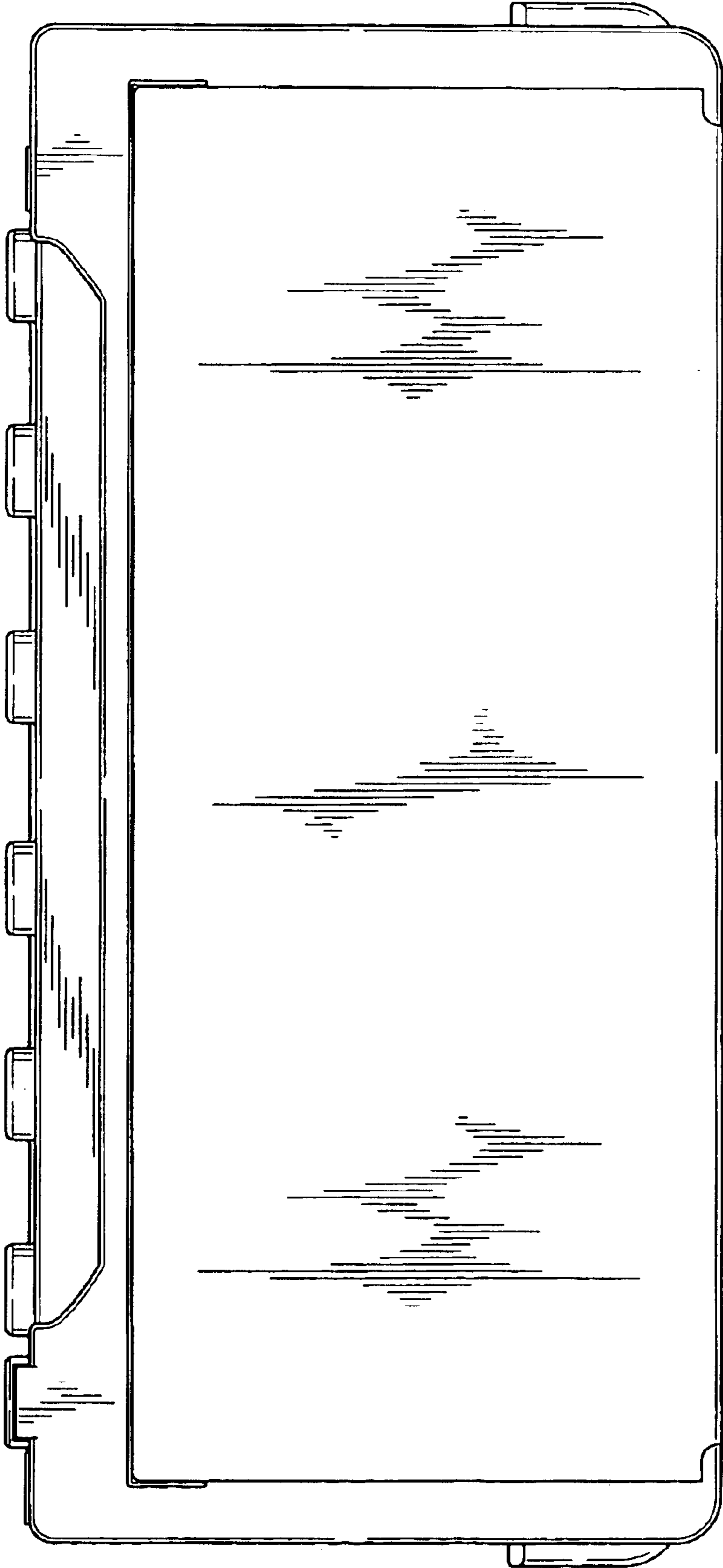


FIG. 5

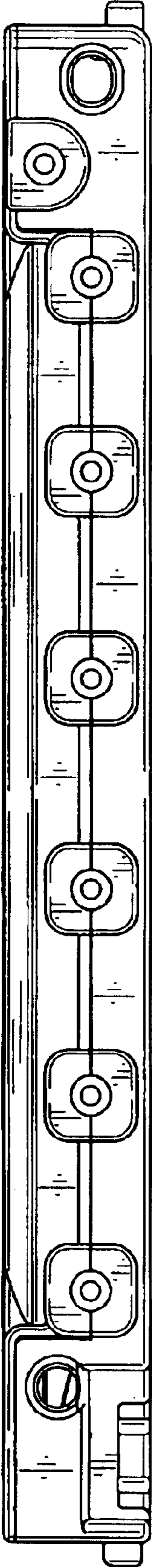


FIG. 6



FIG. 7

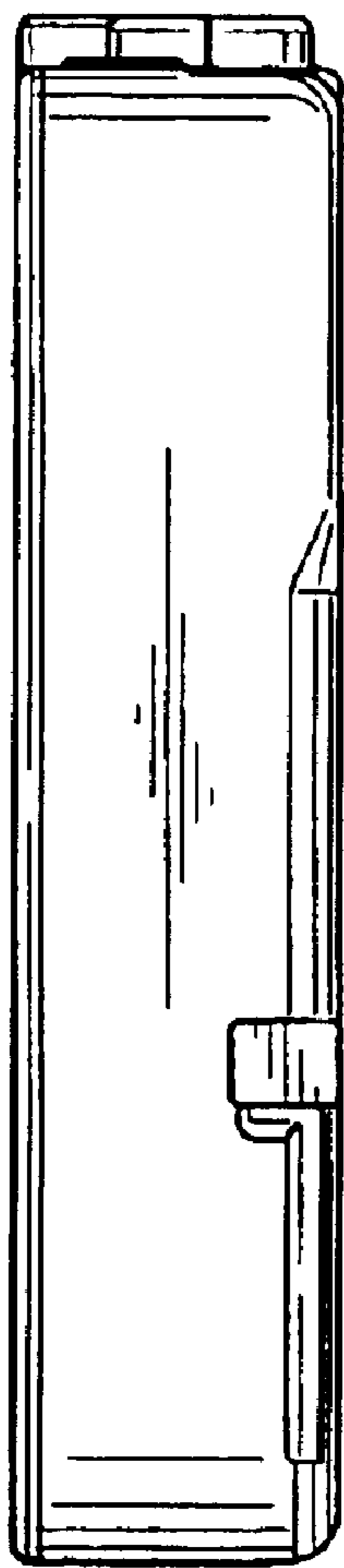


FIG. 8

