



US00D511790S

(12) **United States Design Patent**
Rieck

(10) **Patent No.:** **US D511,790 S**

(45) **Date of Patent:** **** Nov. 22, 2005**

(54) **WARNING LIGHT FOR AN IMAGE
PRODUCING MACHINE**

5,884,132 A * 3/1999 Gotham et al. 399/393
D458,297 S * 6/2002 Laidlaw et al. D18/36
D466,922 S * 12/2002 Tashiro D18/54

(75) Inventor: **Kenneth J. Rieck**, Victor, NY (US)

* cited by examiner

(73) Assignee: **Xerox Corporation**, Stamford, CT
(US)

Primary Examiner—Caron D. Veynar

(74) *Attorney, Agent, or Firm*—Tallam I. Nguti

(**) Term: **14 Years**

(57) **CLAIM**

(21) Appl. No.: **29/198,366**

The ornamental design for a warning light for an image producing machine, as shown and described.

(22) Filed: **Jan. 28, 2004**

DESCRIPTION

(51) **LOC (8) Cl.** **16-03**

(52) **U.S. Cl.** **D18/40; D10/114**

(58) **Field of Search** D18/36-40, 50,
D18/53-56; D10/109, 111, 114; D26/28,
31; 340/868.1; 355/133; 362/545; 399/1-7,
81, 391, 393, 411

FIG. 1 is a perspective view of a warning light for an image producing machine showing the design of the present invention;

FIG. 2 is a front view thereof;

FIG. 3 is a left side view thereof;

FIG. 4 is a rear view thereof;

FIG. 5 is a right side view thereof; and,

FIG. 6 is a top plan view thereof.

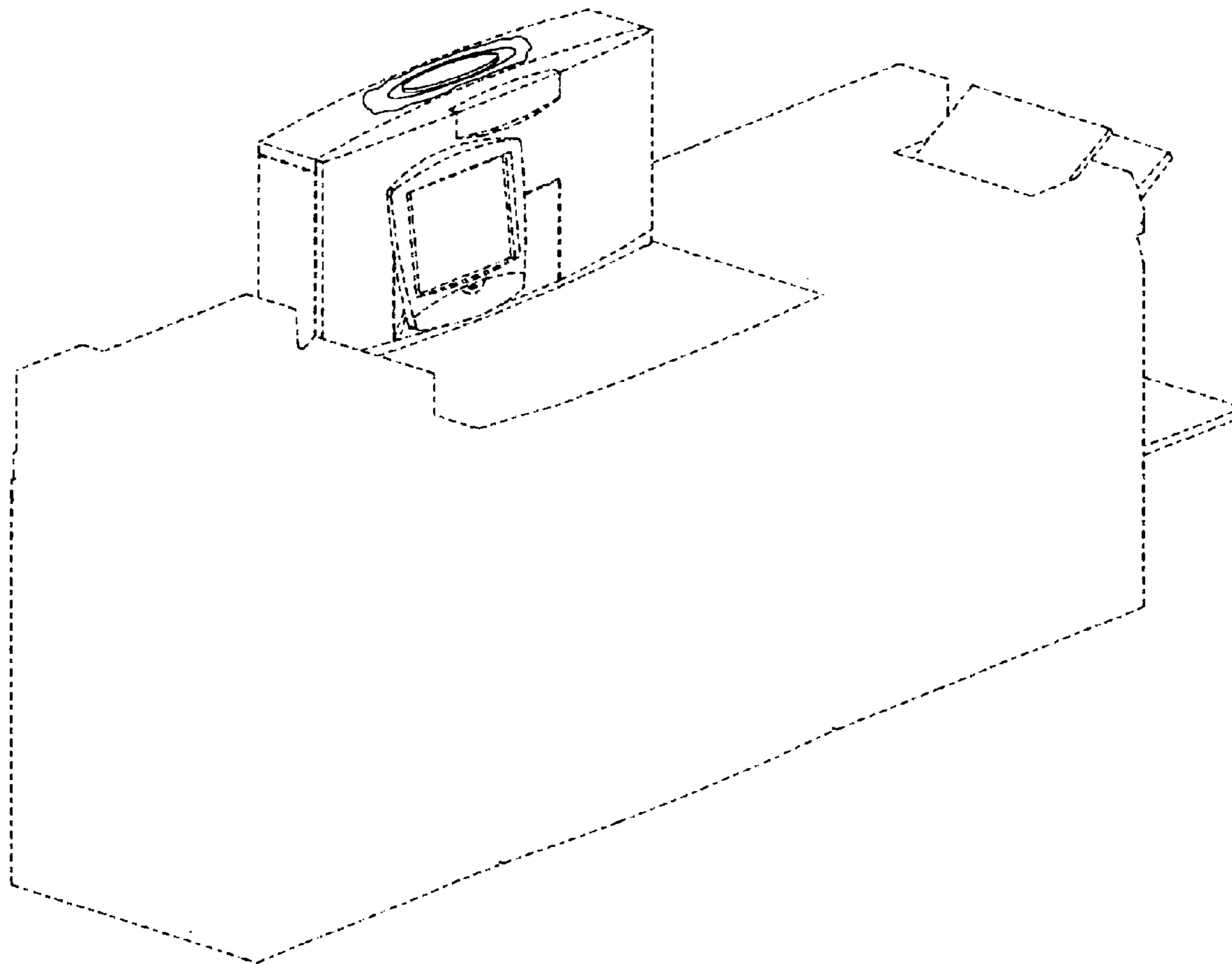
The broken lines shown are for illustrative purposes only and do not form part of the claimed design.

(56) **References Cited**

U.S. PATENT DOCUMENTS

D173,840 S * 1/1955 De Noble D10/109
D223,521 S * 4/1972 Sheward D10/111
D328,609 S * 8/1992 Isida D18/36

1 Claim, 6 Drawing Sheets



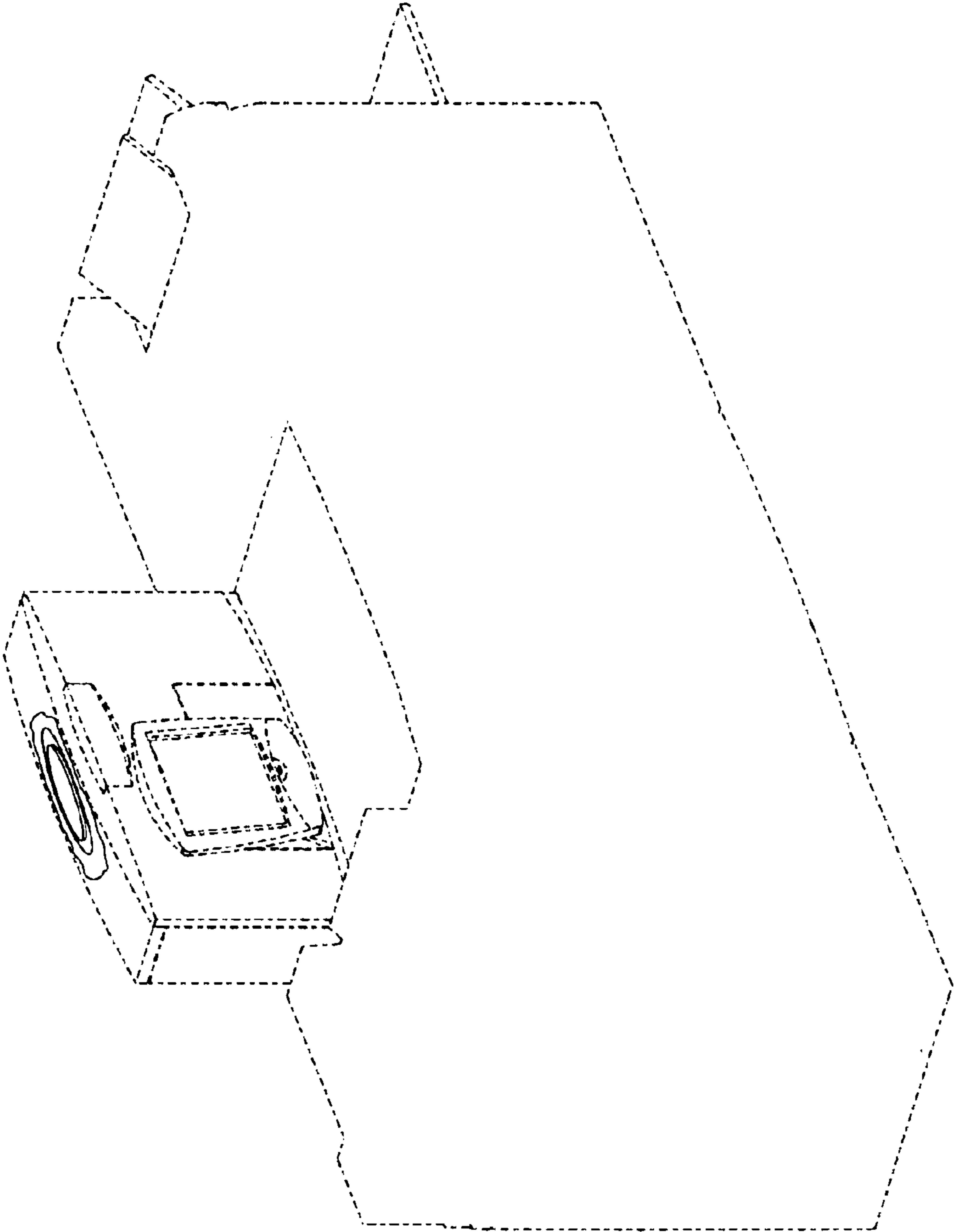


FIG. 1

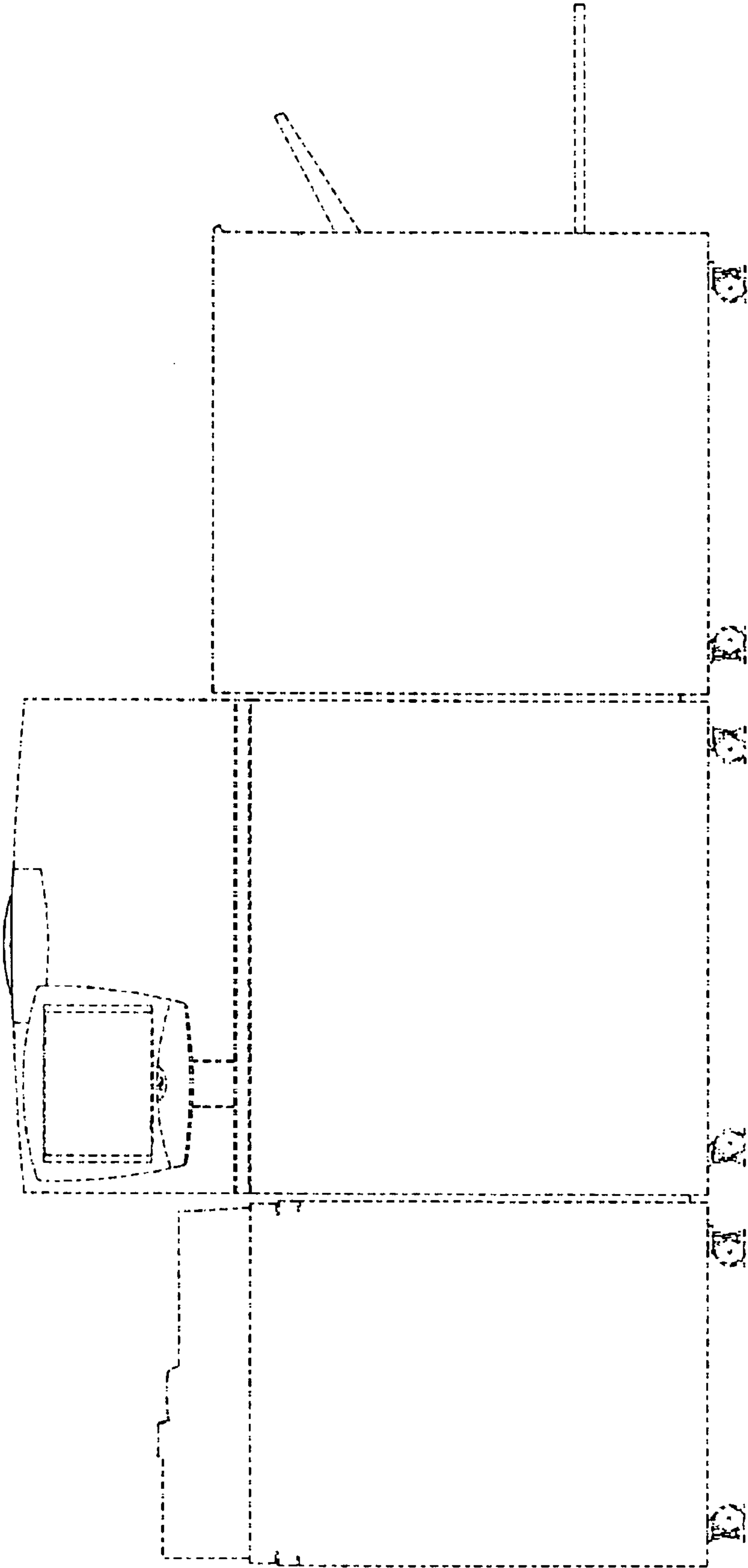


FIG. 2

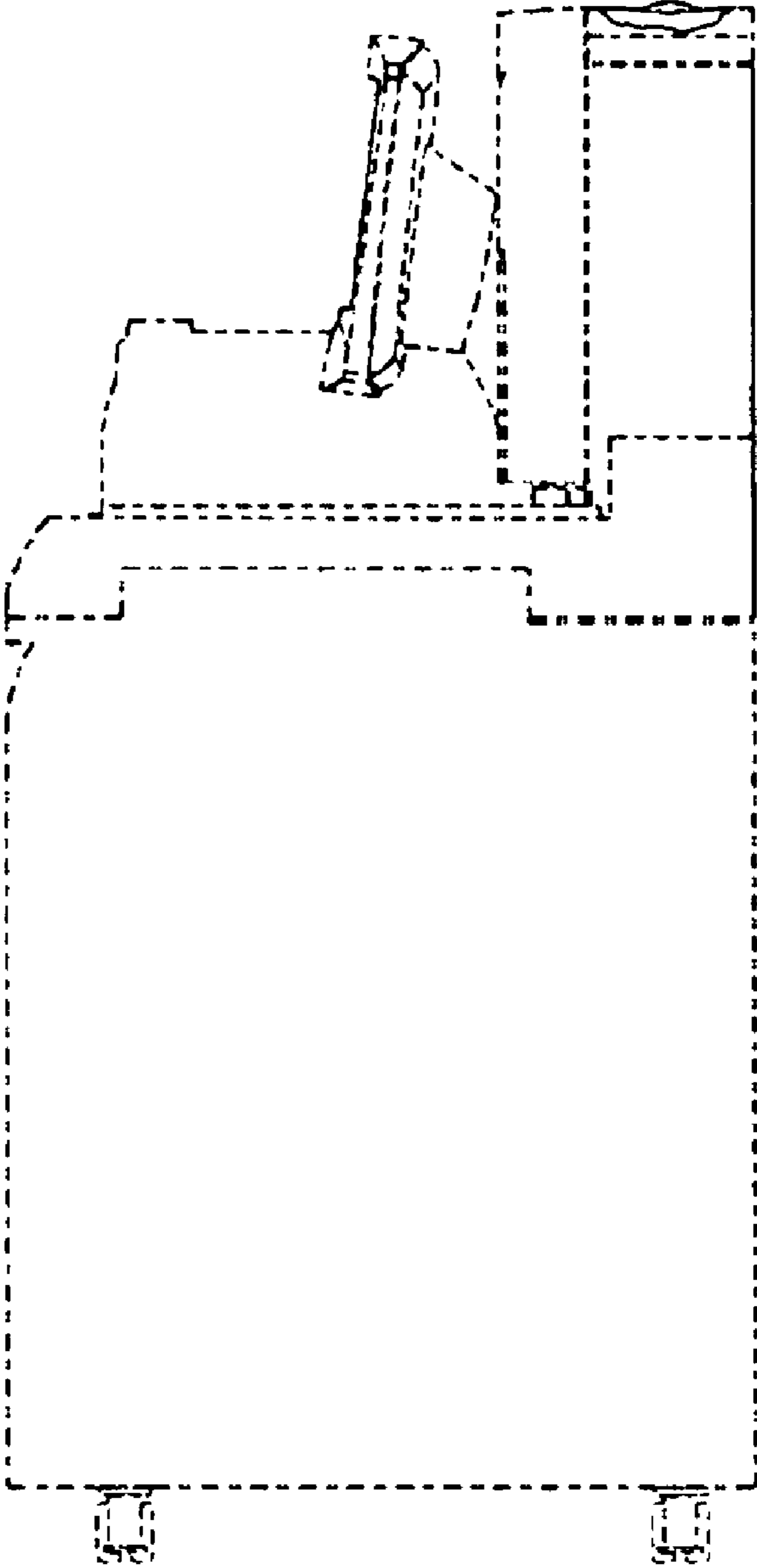


FIG. 3

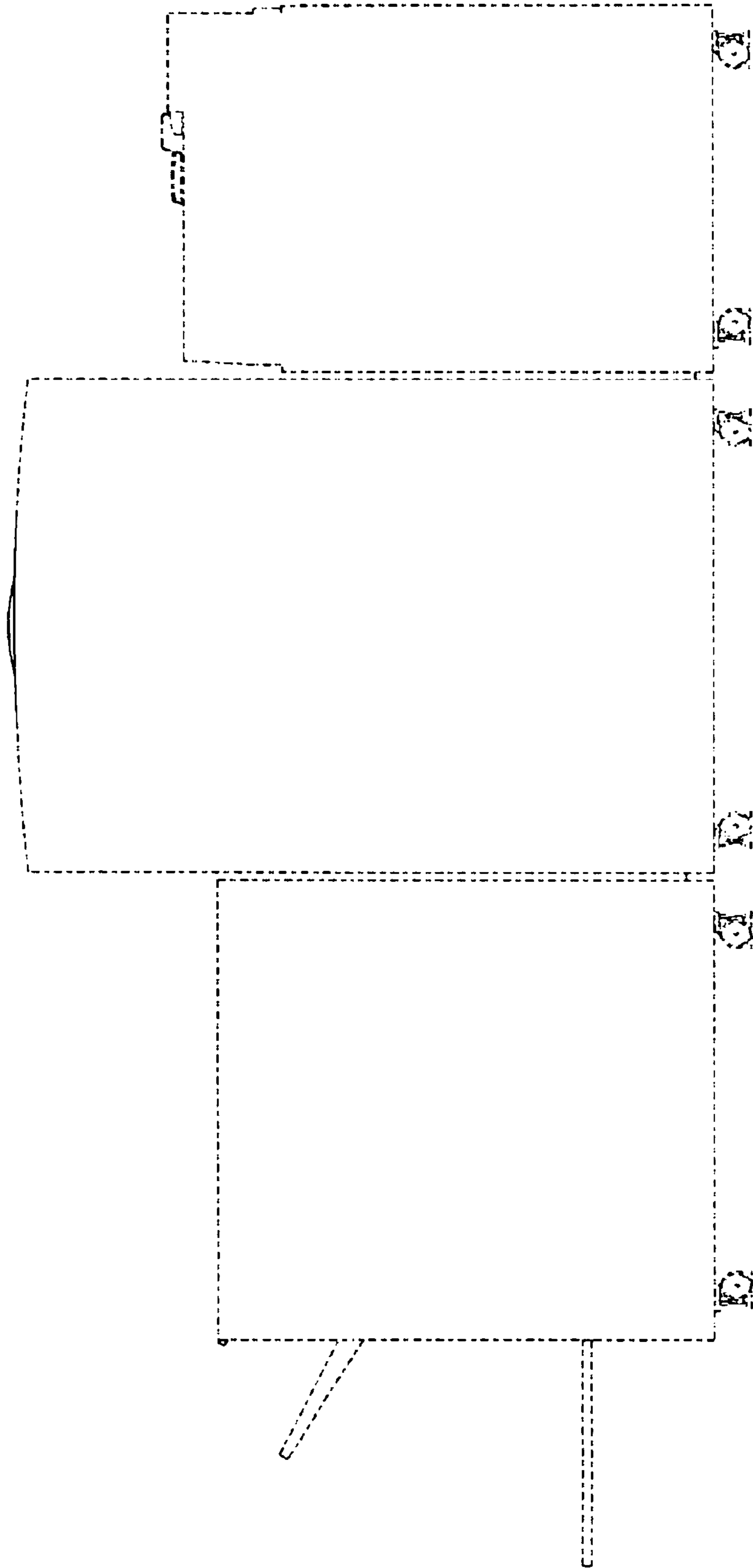


FIG. 4

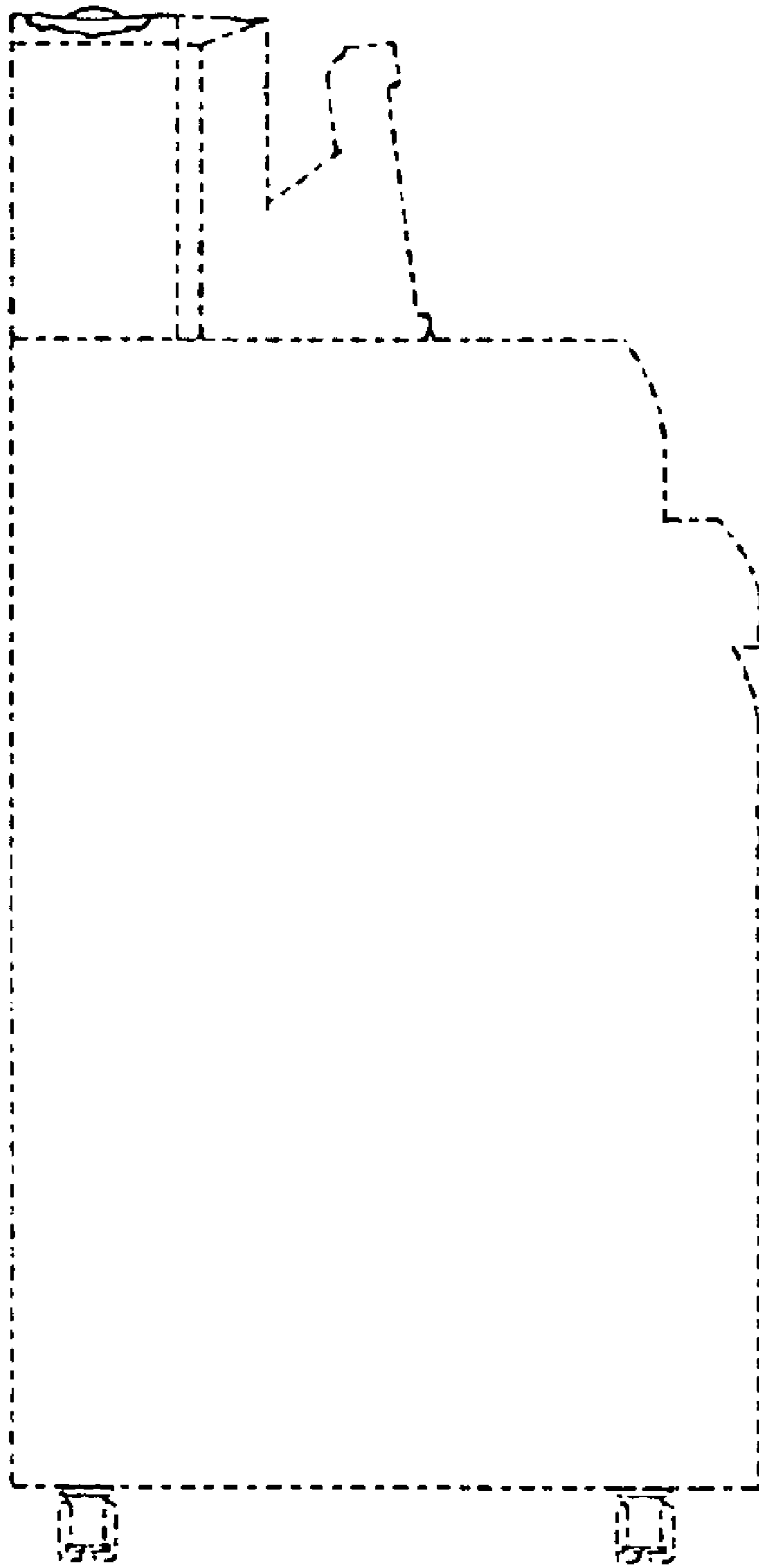


FIG. 5

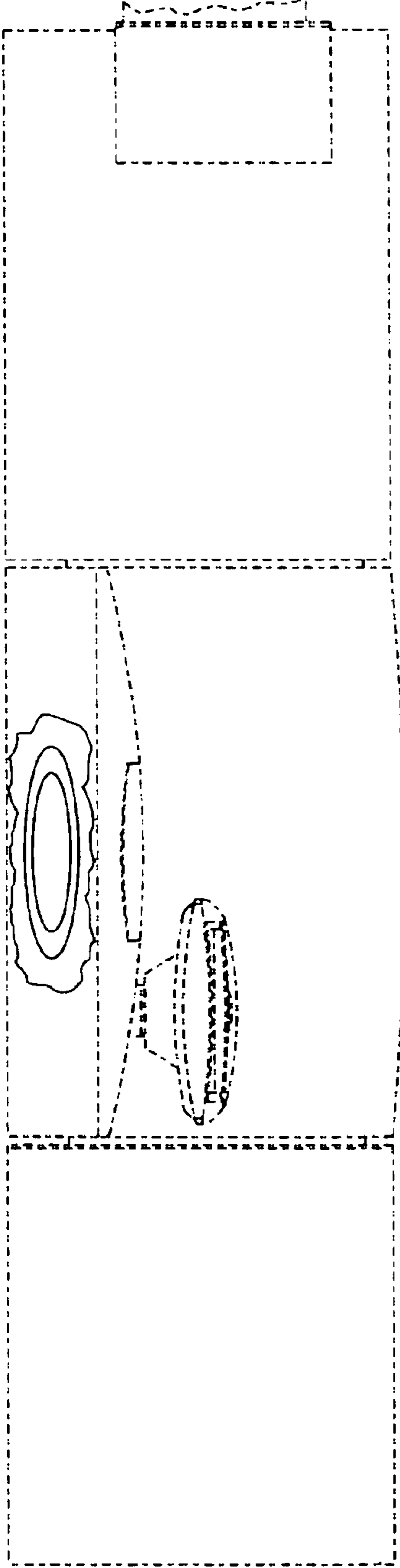


FIG. 6