



US00D511788S

(12) **United States Design Patent**
Yatabe

(10) **Patent No.:** **US D511,788 S**

(45) **Date of Patent:** **** Nov. 22, 2005**

(54) **DIGITAL CAMERA**

(75) **Inventor:** **Takashi Yatabe**, Higashimurayama (JP)

(73) **Assignee:** **Casio Keisanki Kabushiki Kaisha**,
Tokyo (JP)

(**) **Term:** **14 Years**

(21) **Appl. No.:** **29/210,241**

(22) **Filed:** **Jul. 28, 2004**

(51) **LOC (8) Cl.** **16-05**

(52) **U.S. Cl.** **D16/243; D16/206; D16/219**

(58) **Field of Search** **D16/200-206,**
D16/208, 217, 218, 219, 243; 348/373-376;
358/906, 909.1; 396/535-541, 544

(56) **References Cited**

U.S. PATENT DOCUMENTS

D425,099 S	*	5/2000	Nakanishi	D16/243
D447,500 S	*	9/2001	Funato	D16/206
D481,409 S	*	10/2003	Matsumura et al.	D16/219
D497,173 S	*	10/2004	Ogura	D16/202
6,826,366 B2	*	11/2004	Kaneko et al.	396/544

* cited by examiner

Primary Examiner—Adir Aronovich

(74) *Attorney, Agent, or Firm*—Frishauf, Holtz, Goodman & Chick, P.C.

(57) **CLAIM**

The ornamental design for a digital camera, as shown and described.

DESCRIPTION

FIG. 1 is a reduced scale front, left side, top perspective view of a digital camera showing my new design;

FIG. 2 is a front elevational view thereof;

FIG. 3 is a rear elevational view thereof;

FIG. 4 is a left side view thereof;

FIG. 5 is a right side view thereof;

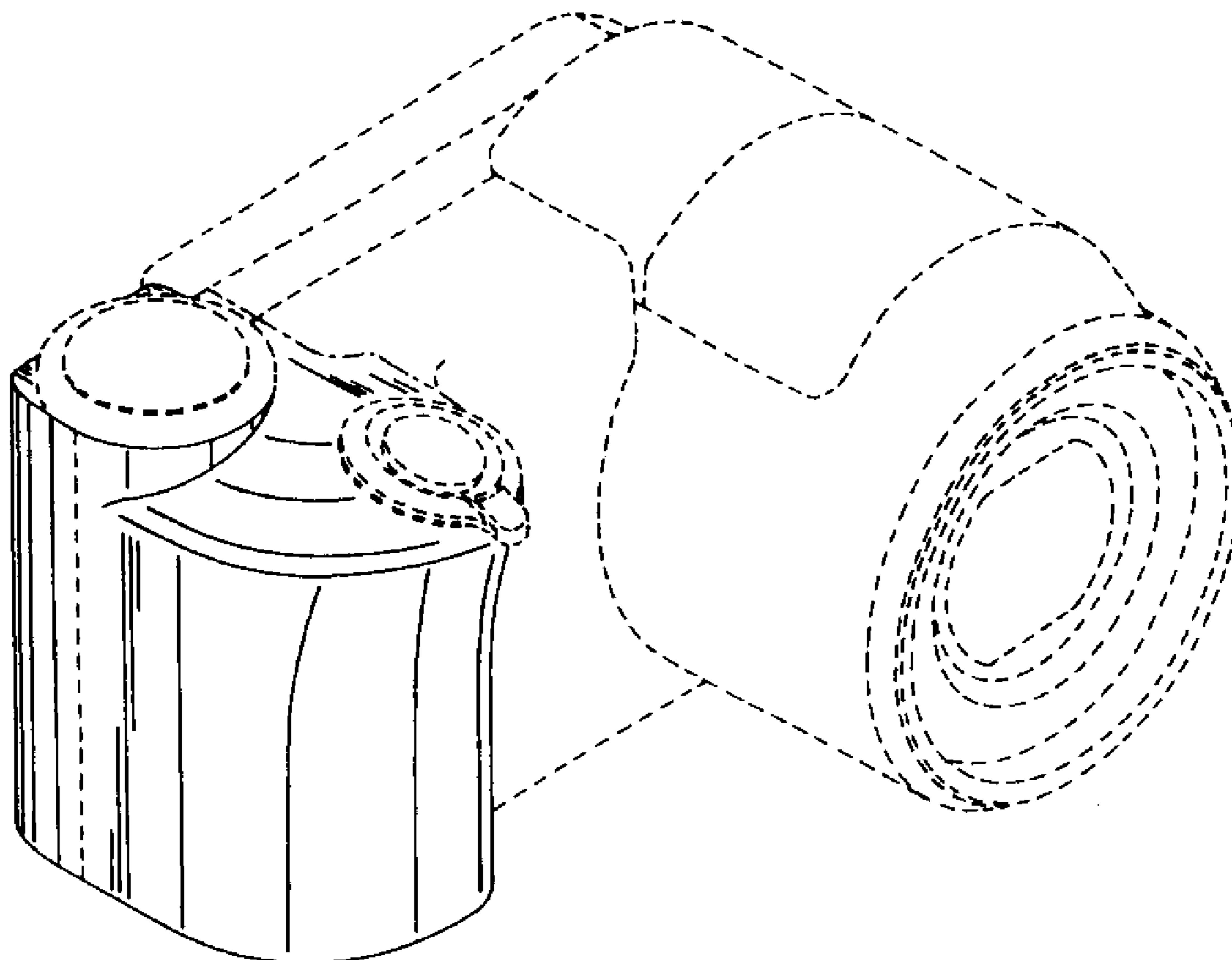
FIG. 6 is a top plan view thereof;

FIG. 7 is a bottom plan view thereof; and,

FIG. 8 is a rear elevational view thereof showing the state in which a display portion is extended and rotated.

The broken line showing of portions of the digital camera are for illustrative purposes only and form no part of the claimed design. The chain lines are provided to show the borderline between the claimed portions and the broken line portions which are not being claimed.

1 Claim, 4 Drawing Sheets



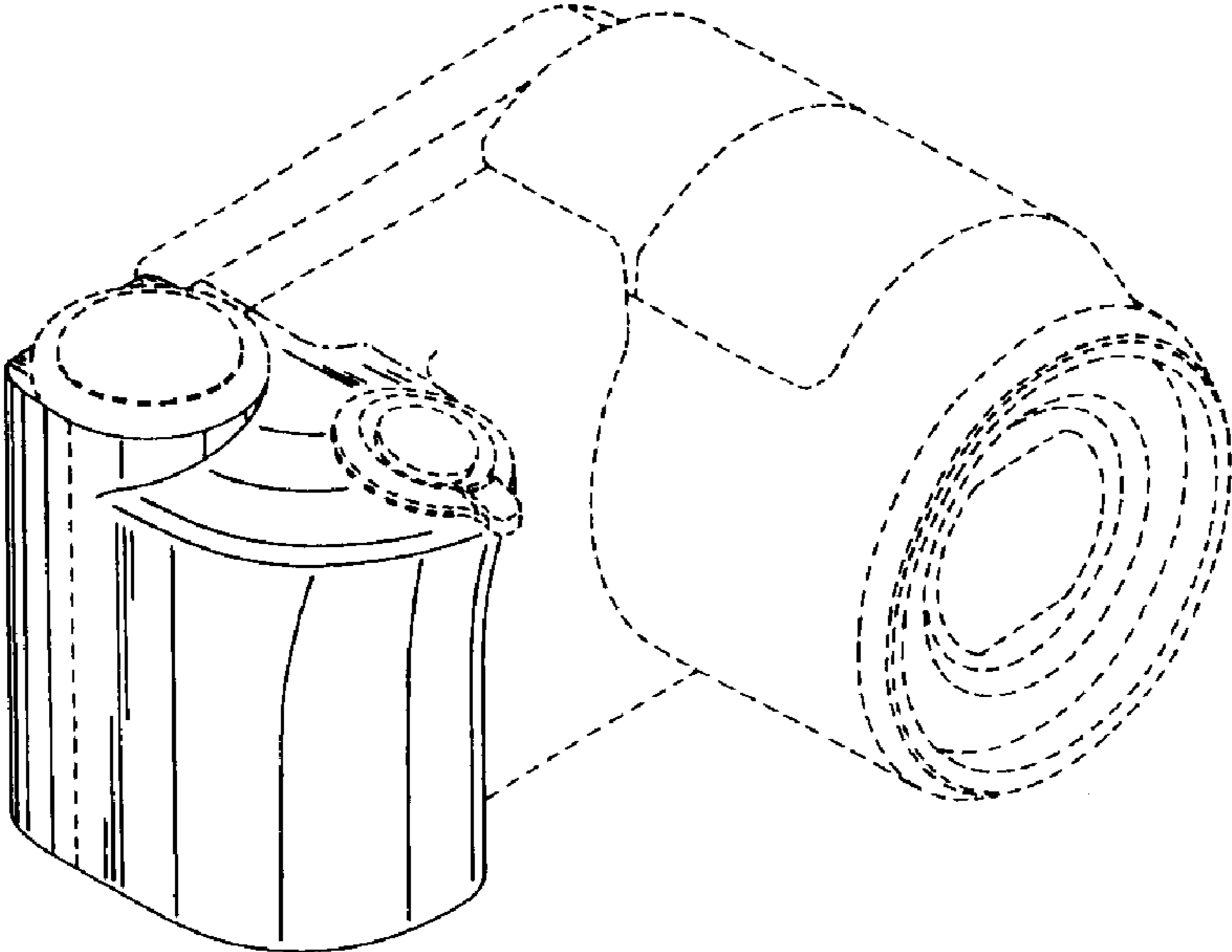


FIG. 1

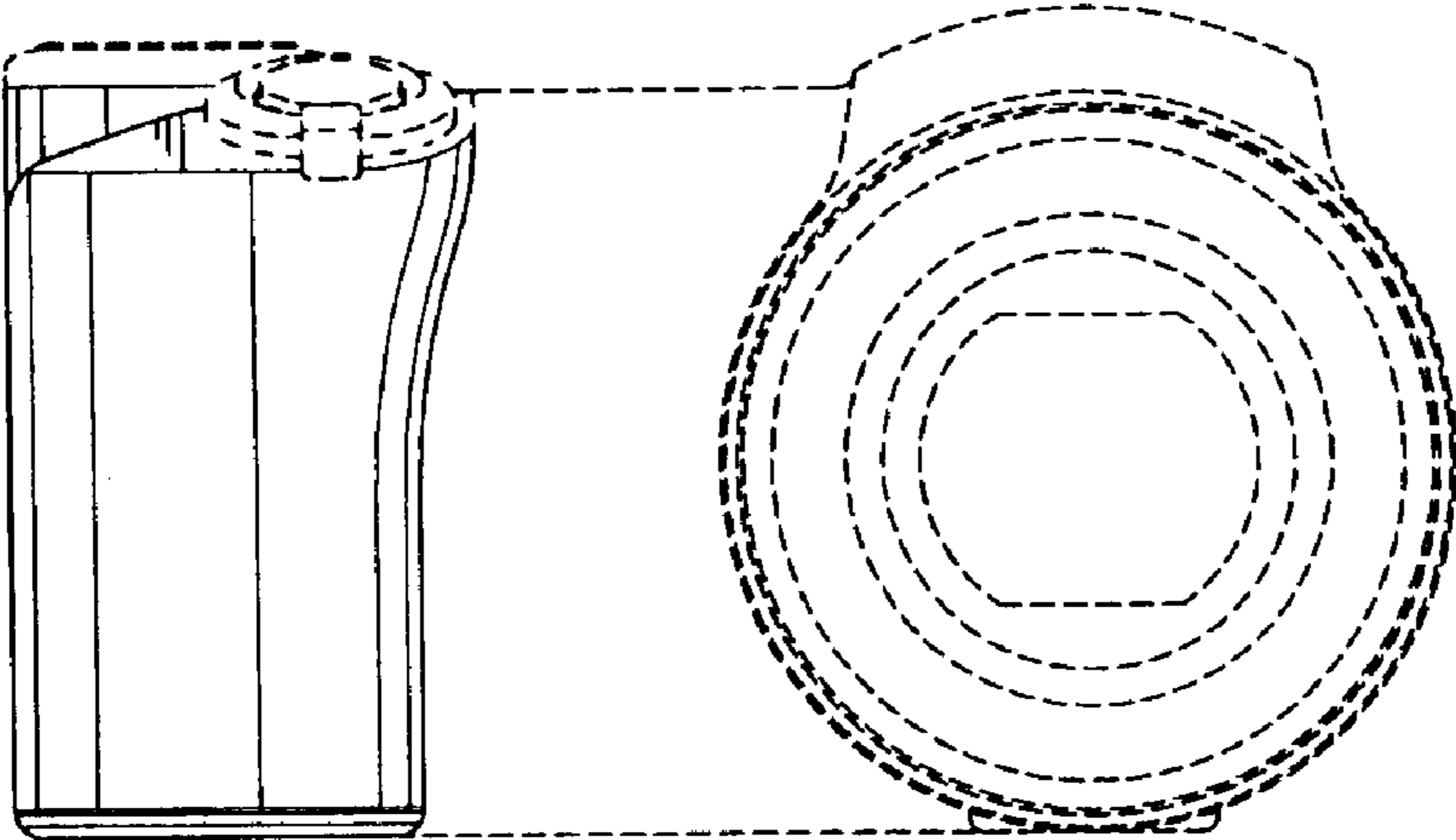


FIG. 2

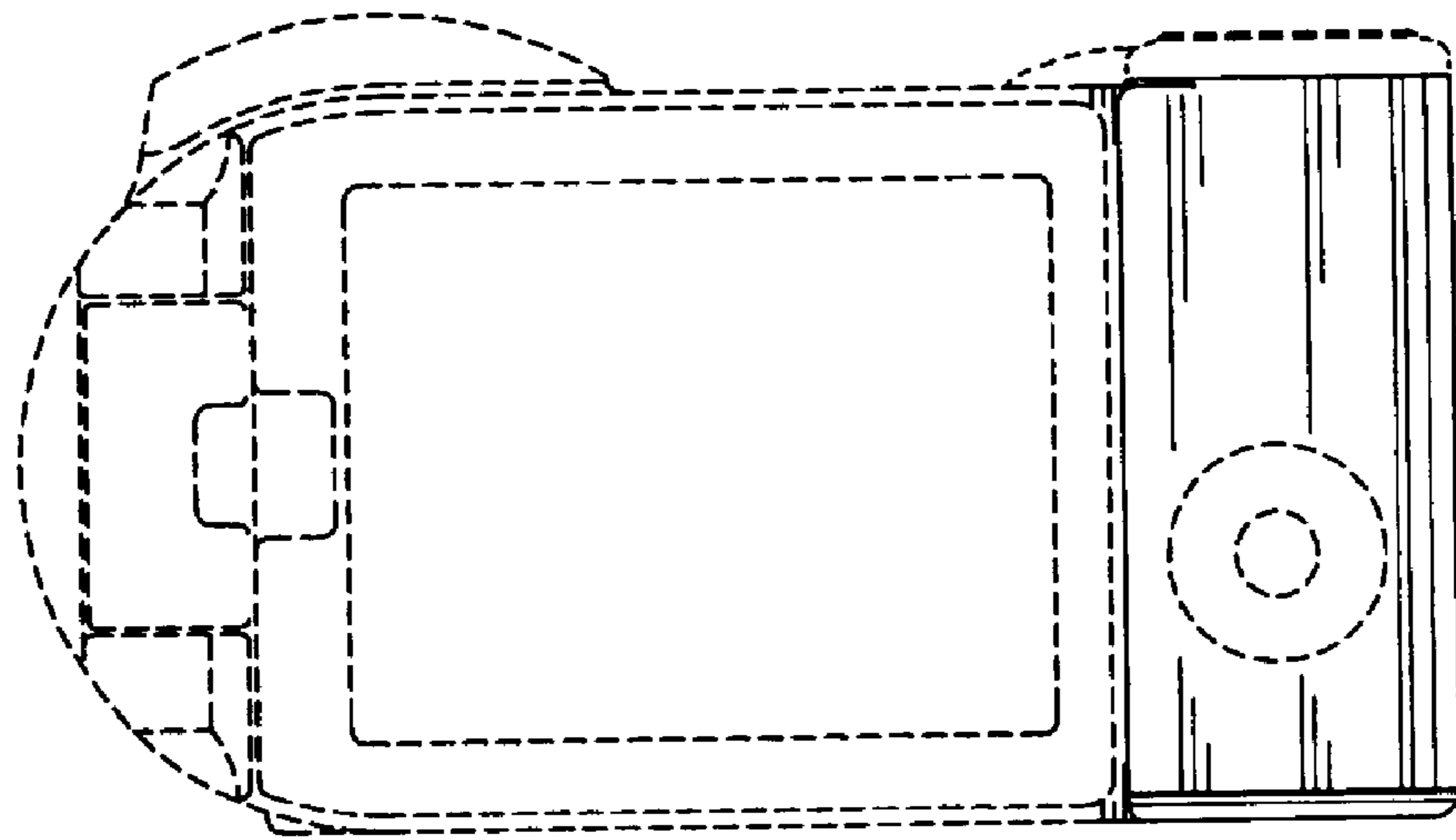


FIG. 3

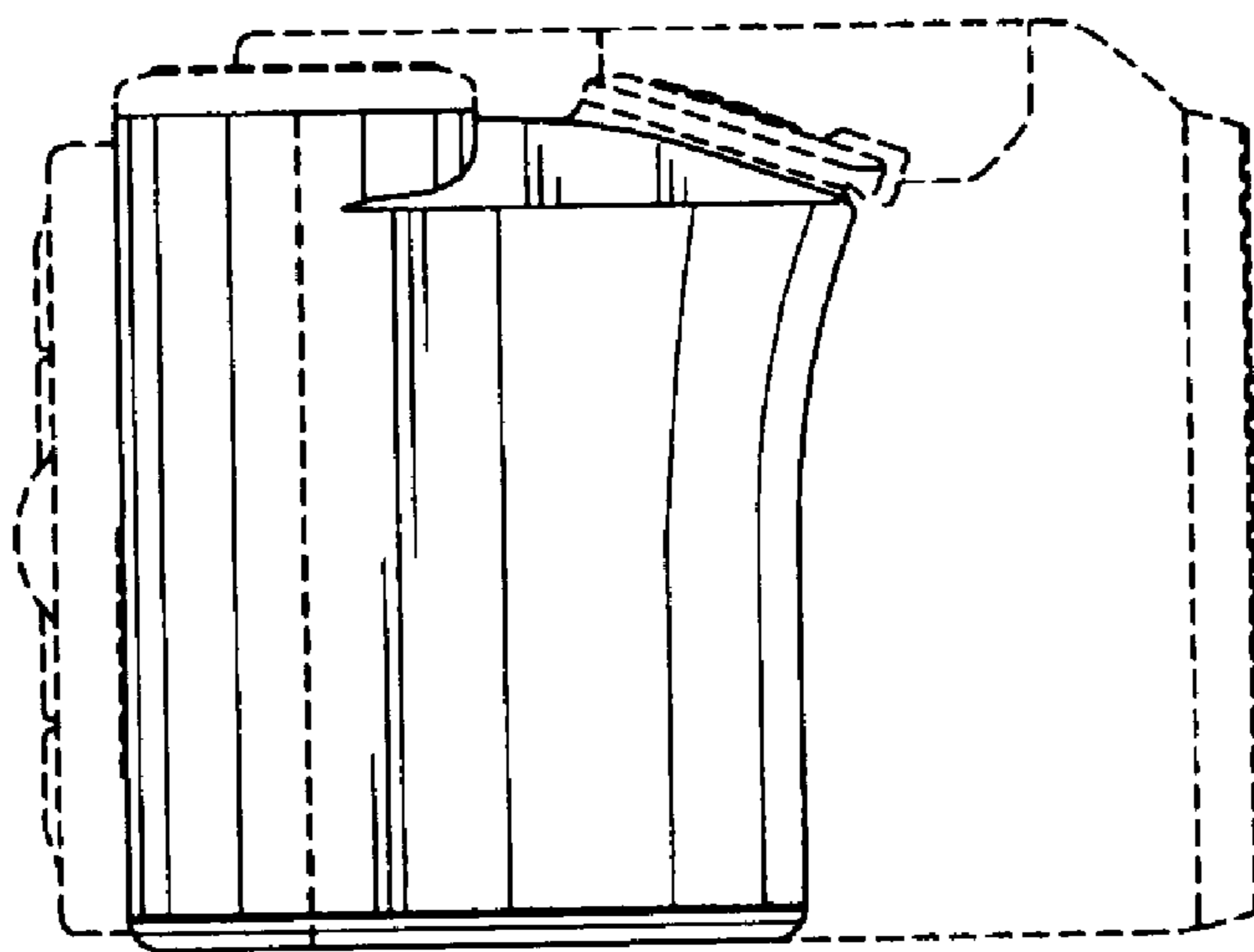


FIG. 4

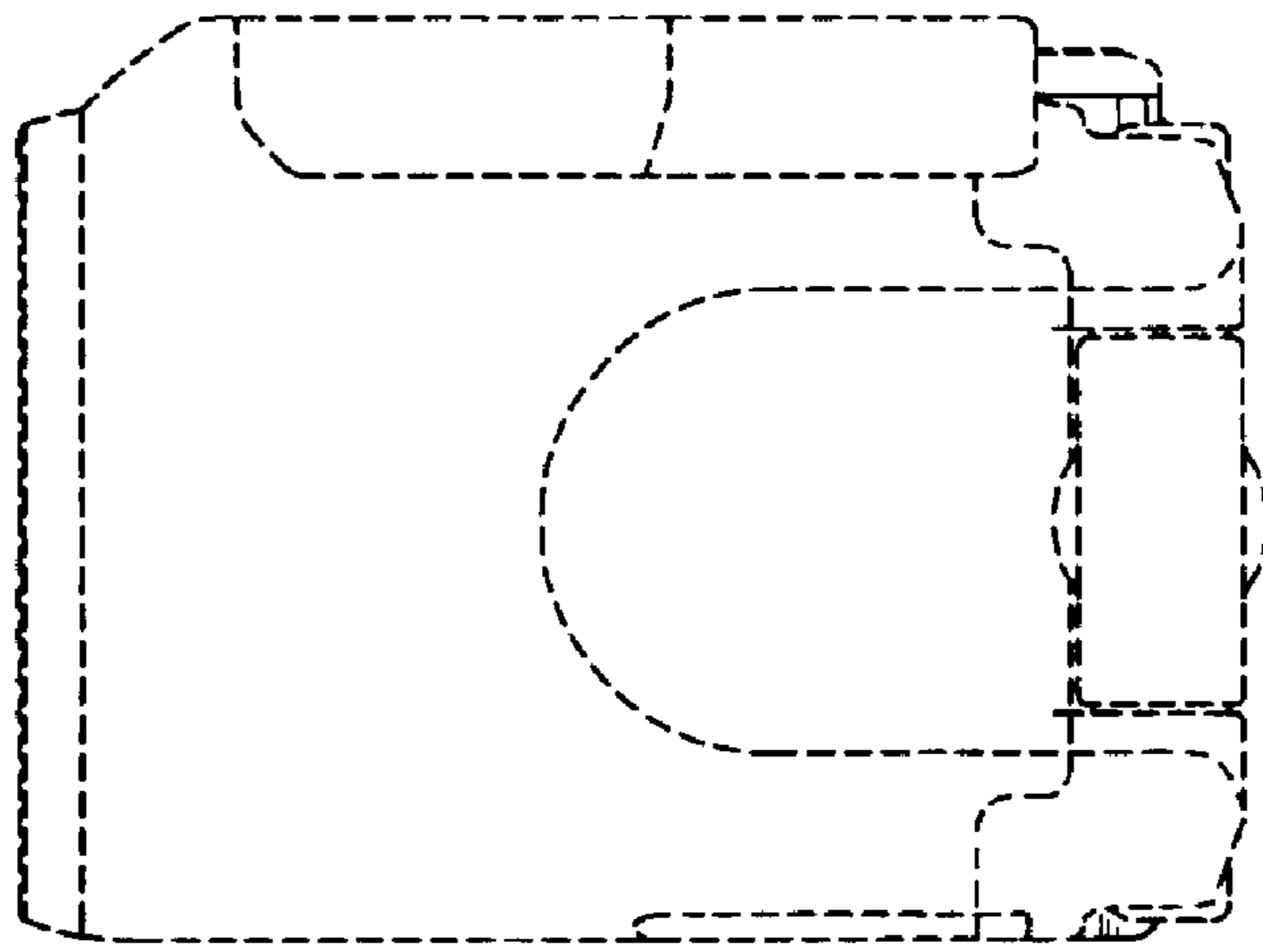


FIG. 5

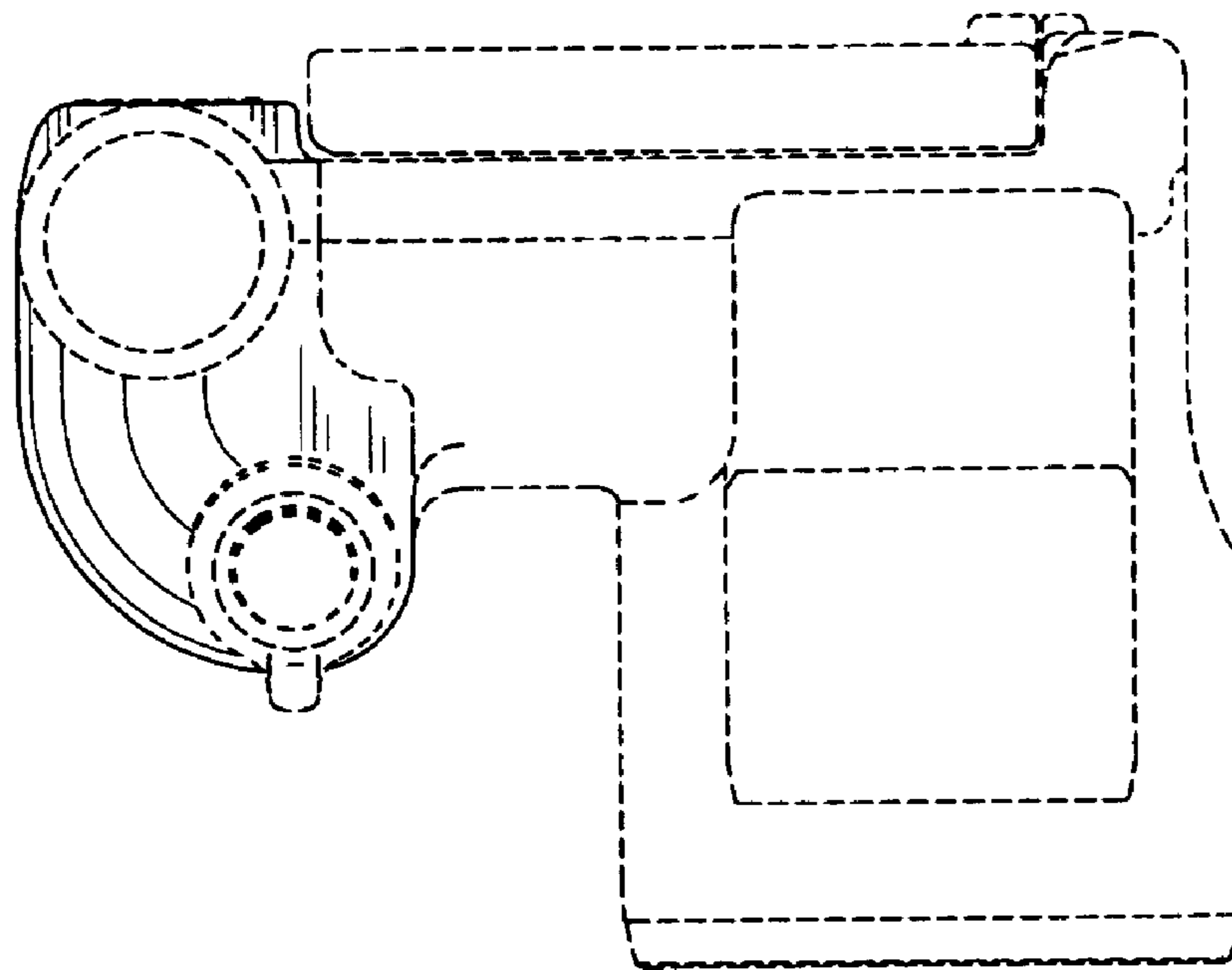


FIG. 6

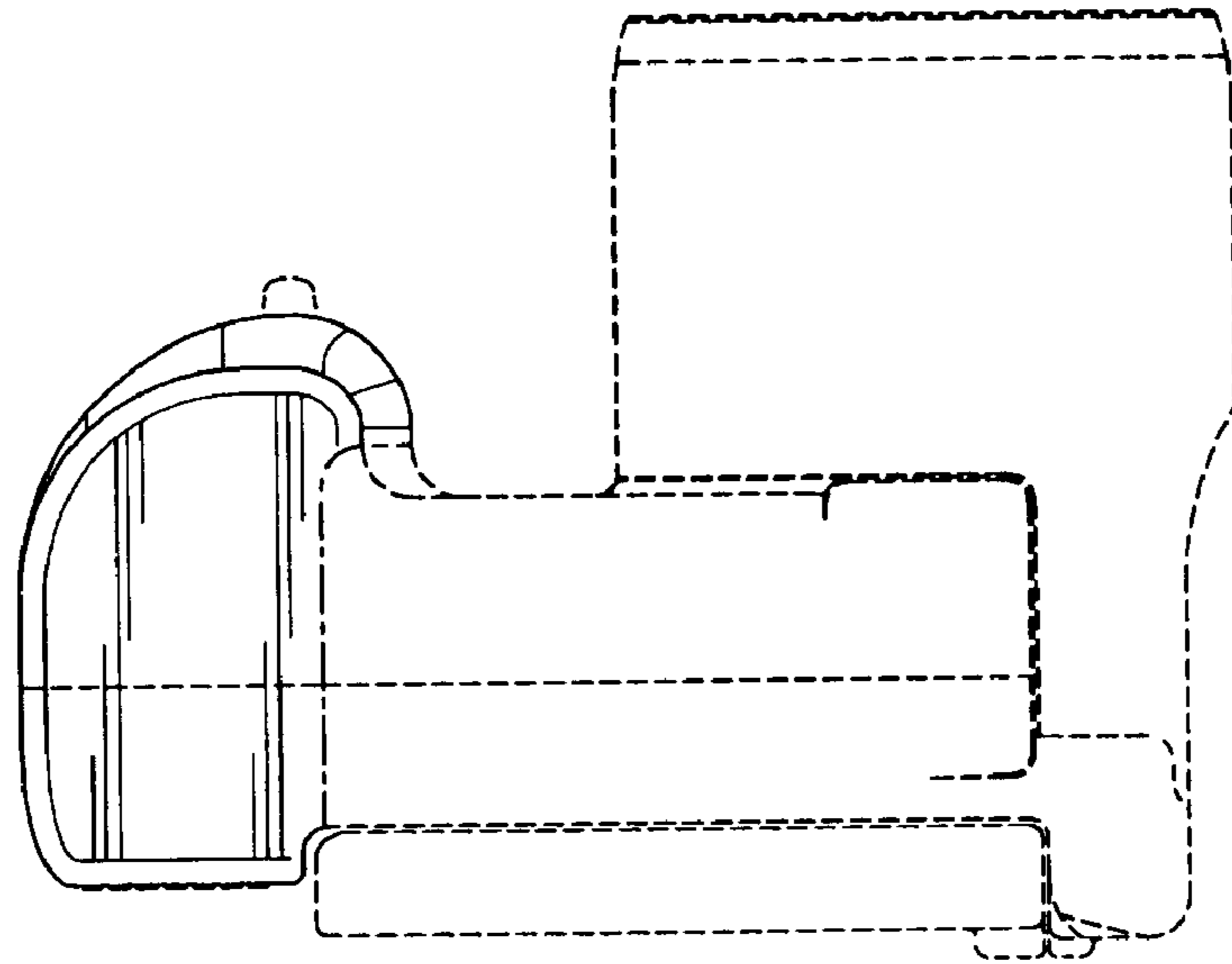


FIG. 7

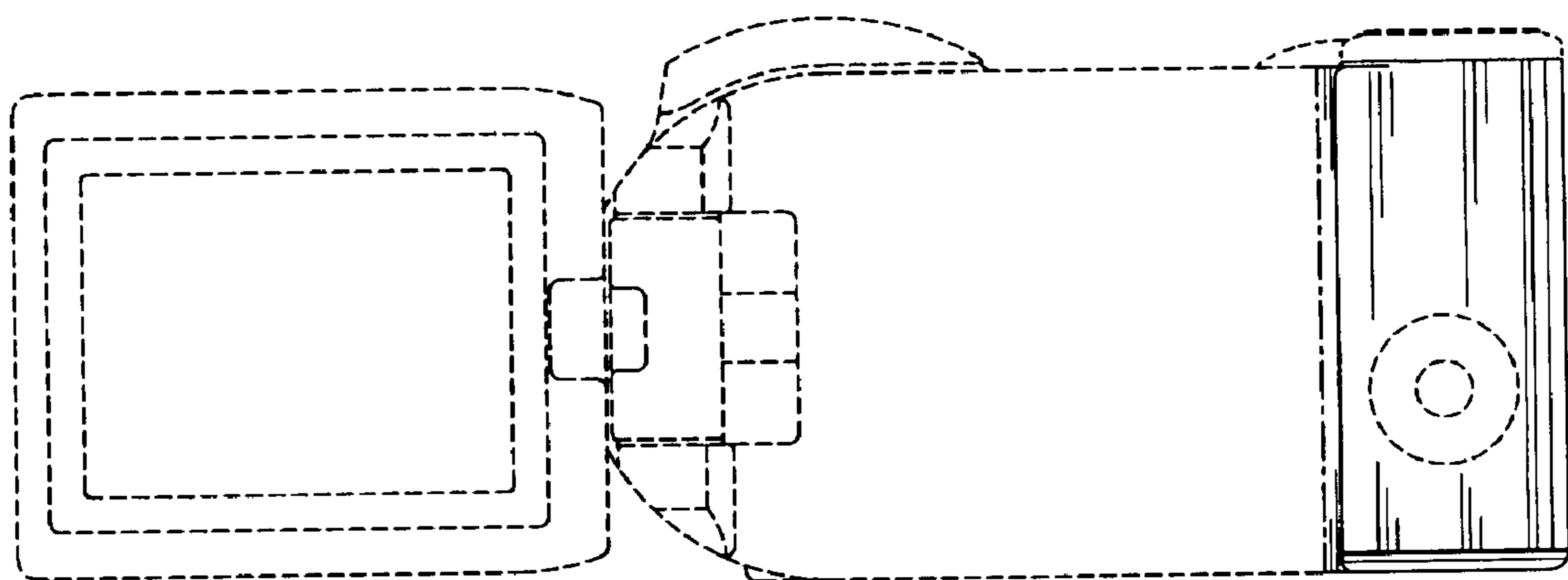


FIG. 8