



US00D511786S

(12) **United States Design Patent**
Apotheloz et al.

(10) **Patent No.:** **US D511,786 S**

(45) **Date of Patent:** **** Nov. 22, 2005**

(54) **MICROSCOPE TUBE**

(75) Inventors: **Christophe Apotheloz**, Laegemstrasse (CH); **Manfred Gilbert**, Schoeffengrund (GB); **Russell Bonaventura**, Williamsville, NY (US)

(73) Assignee: **Leica Microsystems Wetzlar GmbH**, Wetzlar (DE)

(**) Term: **14 Years**

(21) Appl. No.: **29/212,873**

(22) Filed: **Sep. 9, 2004**

(30) **Foreign Application Priority Data**

Mar. 13, 2004 (GB) 4 04 01 682

(51) **LOC (8) Cl.** **16-06**

(52) **U.S. Cl.** **D16/131**

(58) **Field of Search** D16/130, 131, D16/134; 359/381, 382, 383, 384, 385, 388, 375, 376, 377, 379, 378, 390, 392, 393; 250/201.3

(56) **References Cited**

U.S. PATENT DOCUMENTS

- 3,064,529 A * 11/1962 Straat 359/384
- D273,592 S * 4/1984 Armbruster D16/131
- D355,430 S * 2/1995 Hofmann-Igl D16/131
- D400,548 S * 11/1998 Komatsuzaki D16/131
- D417,880 S * 12/1999 Wani et al. D16/131
- D420,028 S * 2/2000 Wani et al. D16/131
- D439,258 S * 3/2001 Kawahata D16/131
- D440,996 S * 4/2001 Takanashi D16/131

- 6,479,807 B1 * 11/2002 Toshimitsu 250/201.3
- 6,512,632 B2 * 1/2003 Yamamoto 359/383
- D502,194 S * 2/2005 Suzuki et al. D16/131

* cited by examiner

Primary Examiner—Paula A. Greene

(74) *Attorney, Agent, or Firm*—Simpson & Simpson, PLLC

(57) **CLAIM**

The ornamental design for microscope tube, as shown and described.

DESCRIPTION

A generally triangular shaped interface mounted between a microscope stand and eye tubes of a microscope.

FIG. 1 is a frontal perspective view of the microscope tube of the present invention;

FIG. 2 is a top view of the microscope tube of the present invention;

FIG. 3 is a bottom view of the microscope tube of the present invention;

FIG. 4 is a left side elevational view of the microscope tube of the present invention;

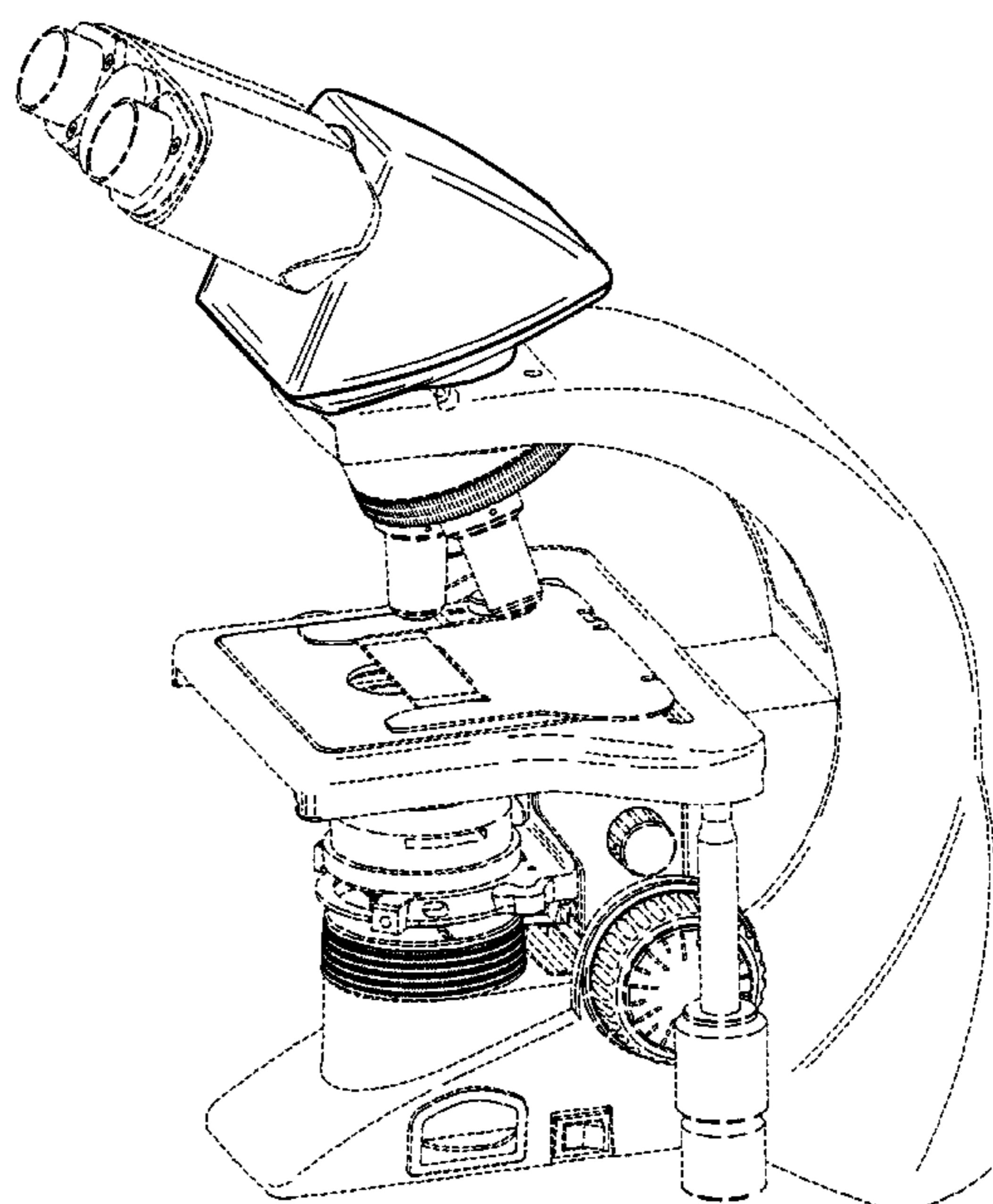
FIG. 5 is a right side elevational view of the microscope tube of present invention;

FIG. 6 is a front elevational view of the microscope tube of the present invention;

FIG. 7 is a rear elevational view of the microscope tube of the present invention; and,

FIG. 8 is a side perspective view of a microscope illustrated with broken lines with the microscope tube of the present invention.

1 Claim, 8 Drawing Sheets



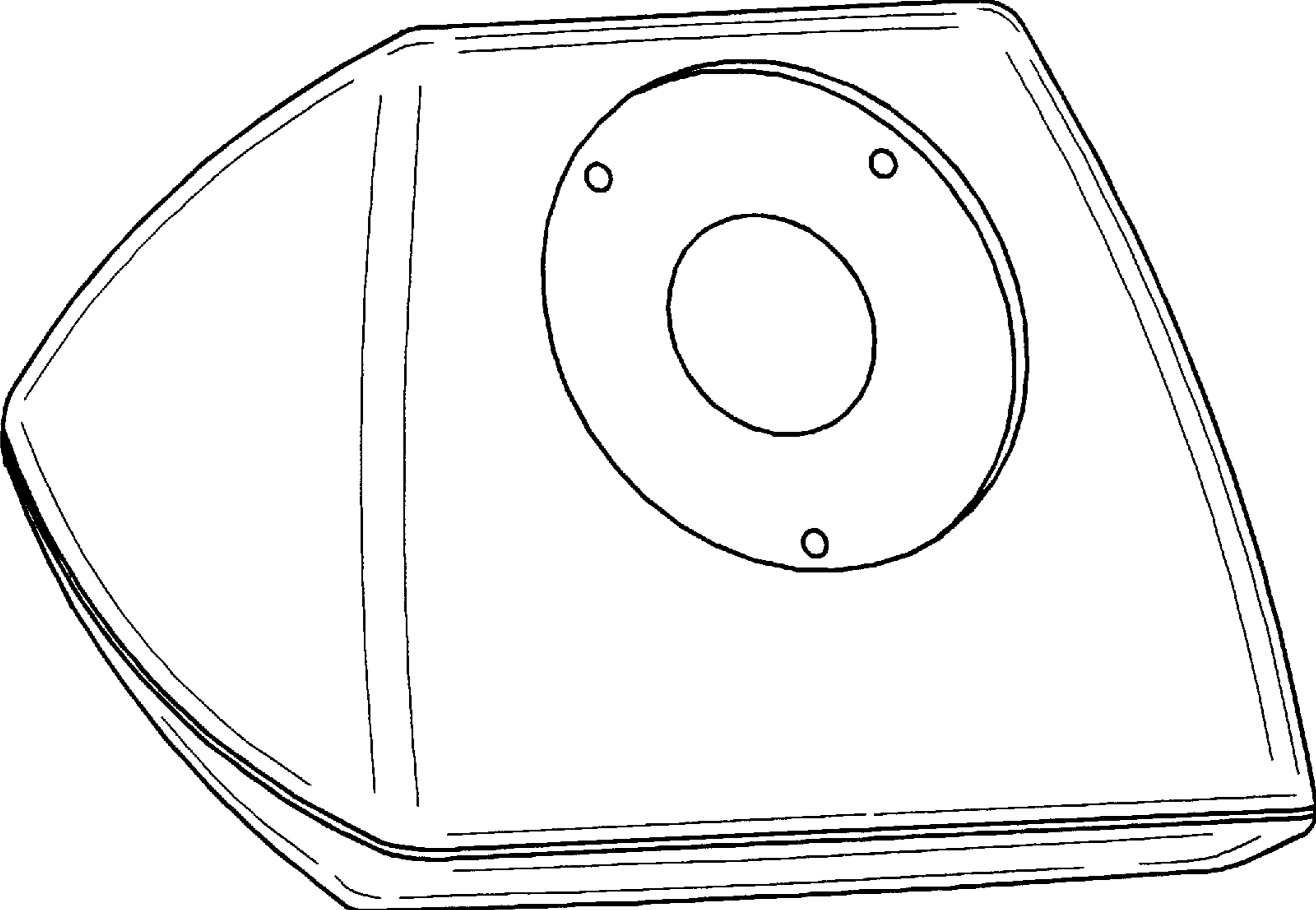


Fig. 1

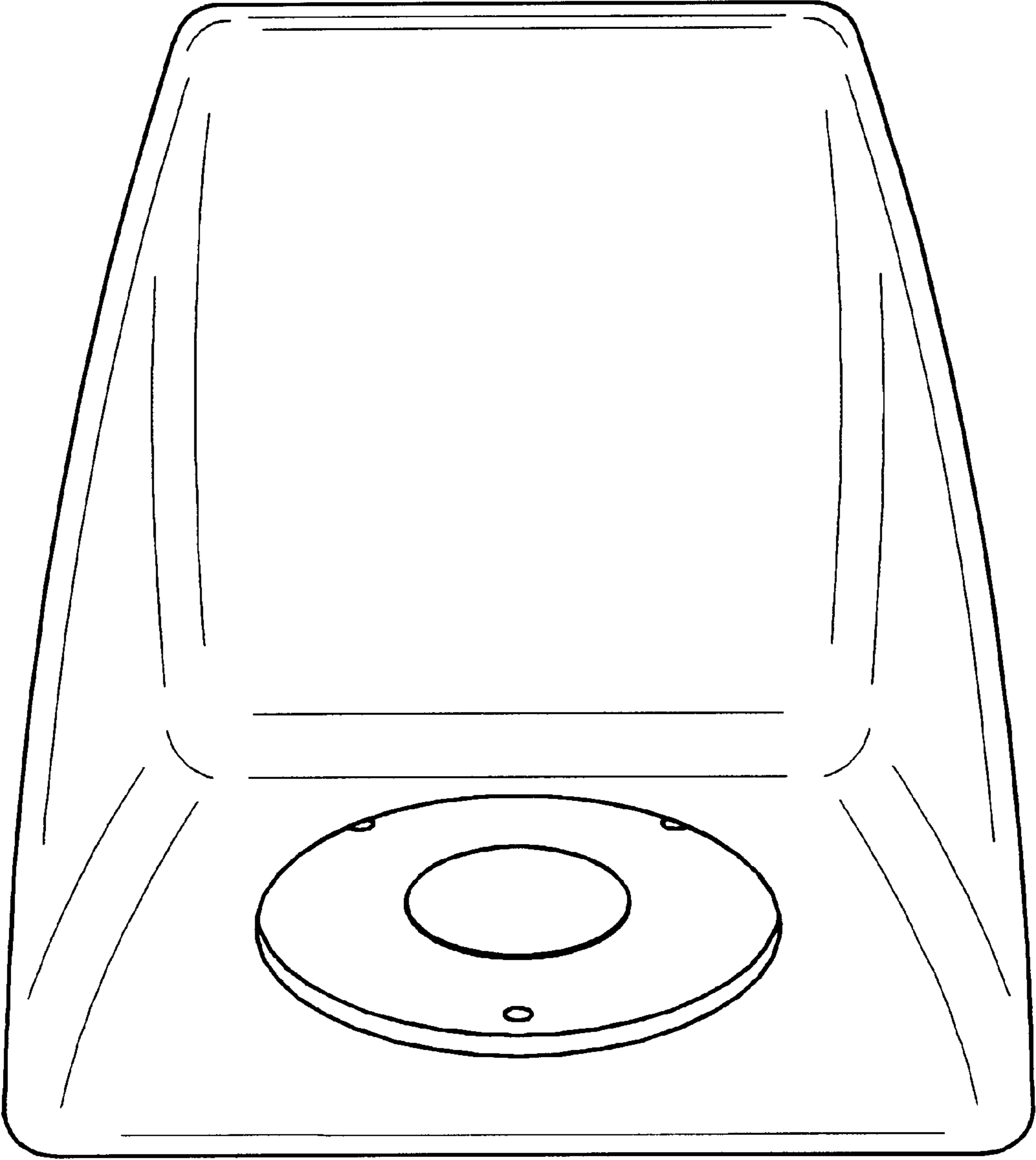


Fig. 2

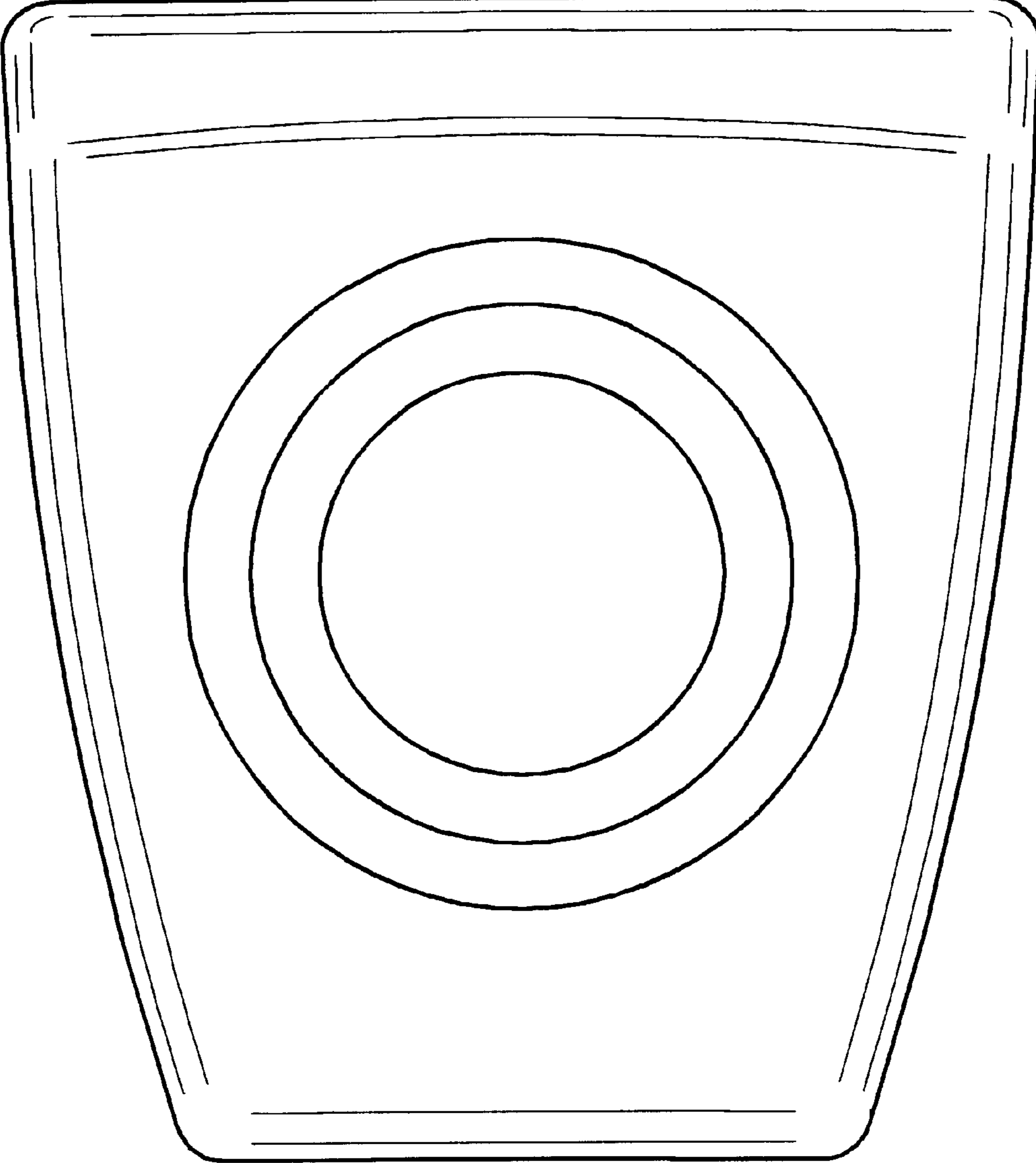


Fig. 3

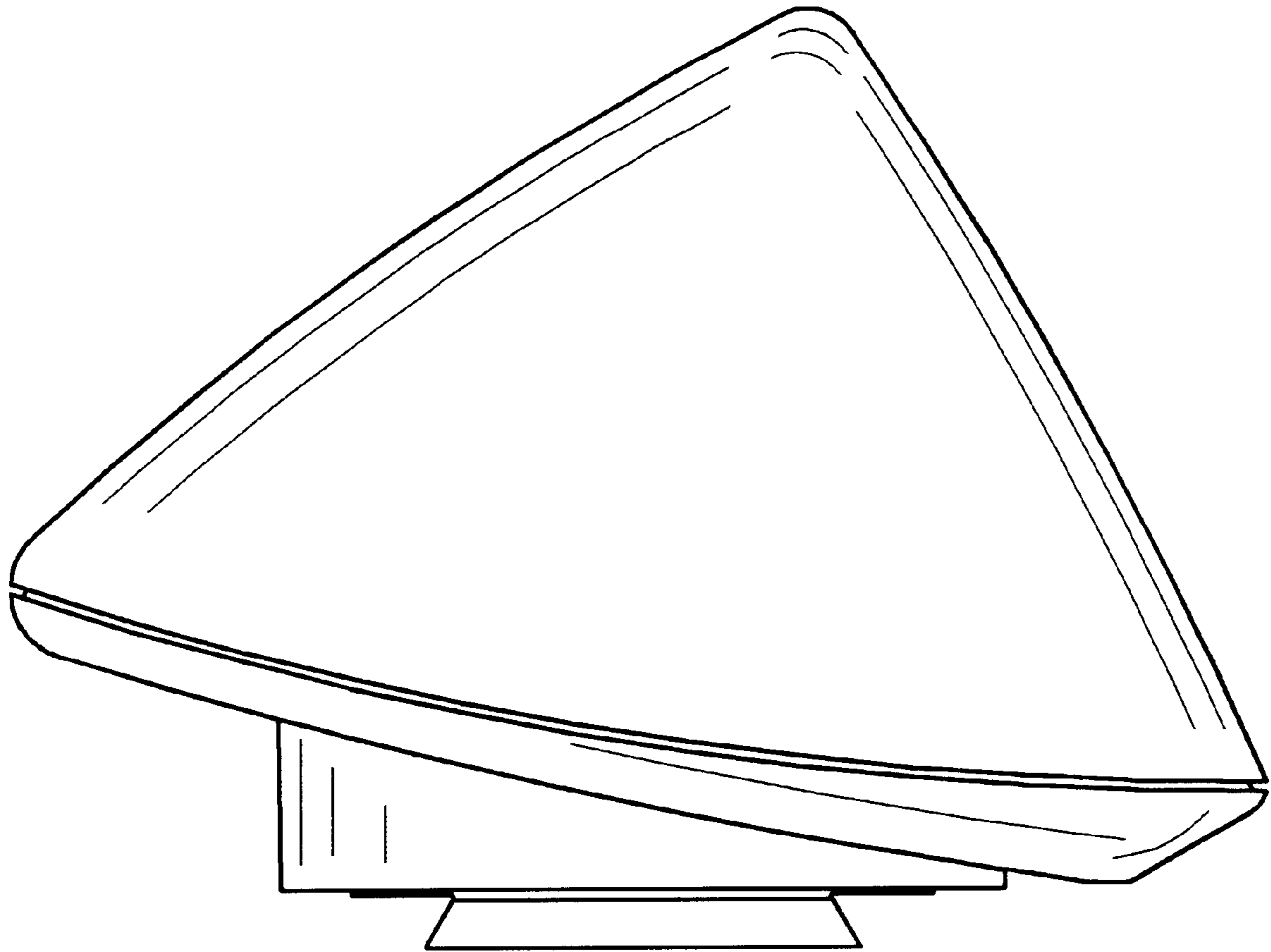


Fig. 4

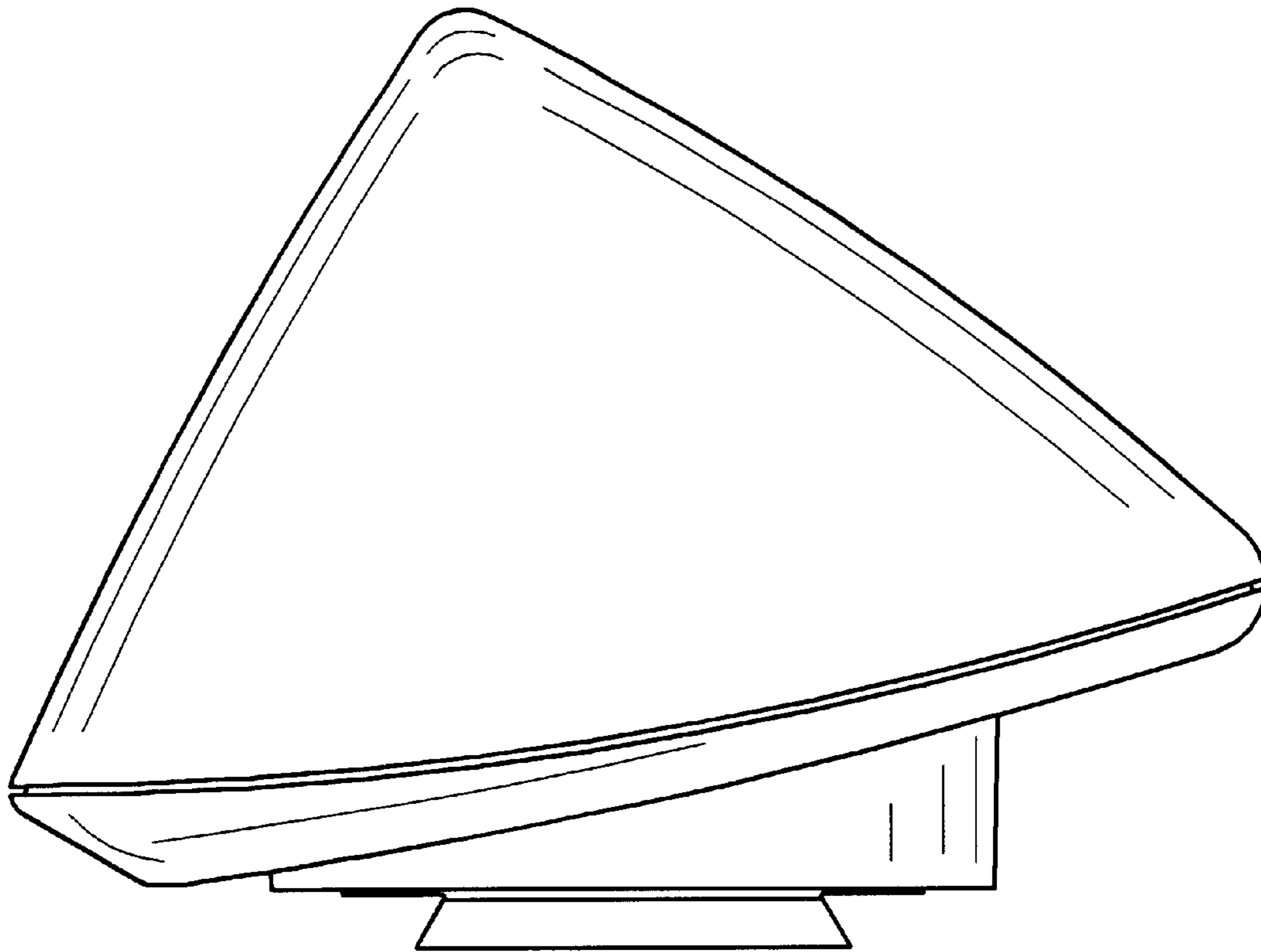


Fig. 5

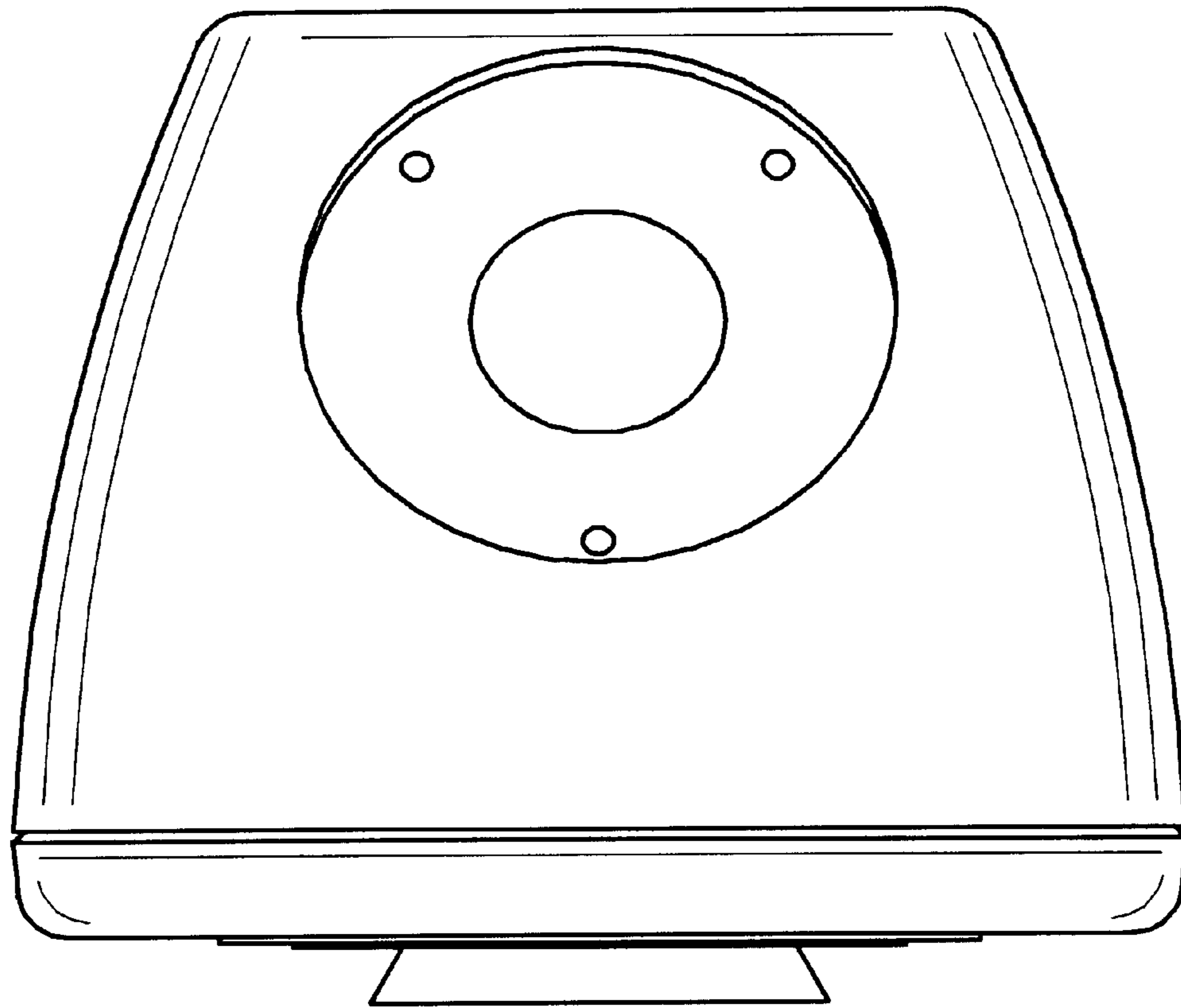


Fig. 6

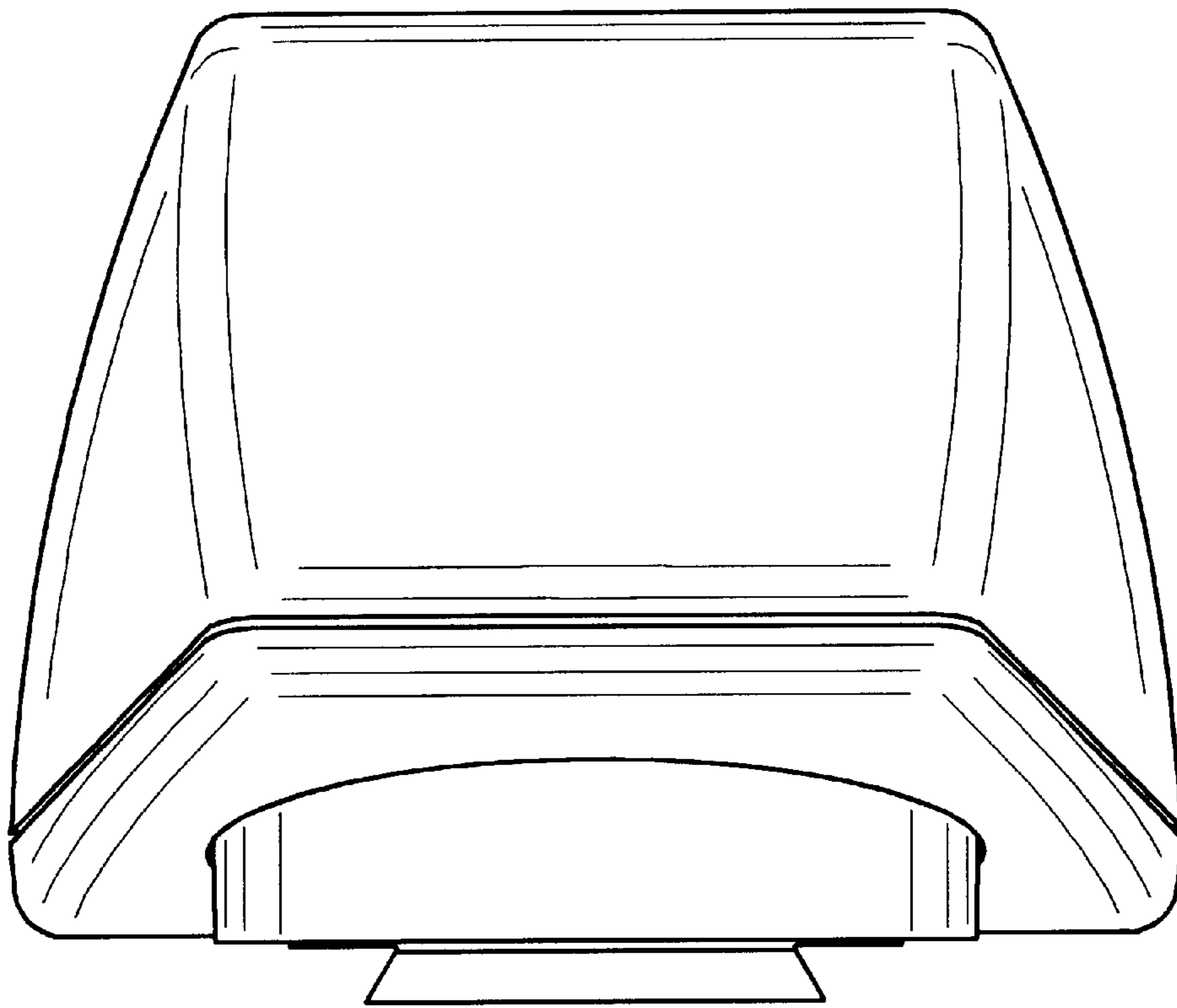


Fig. 7

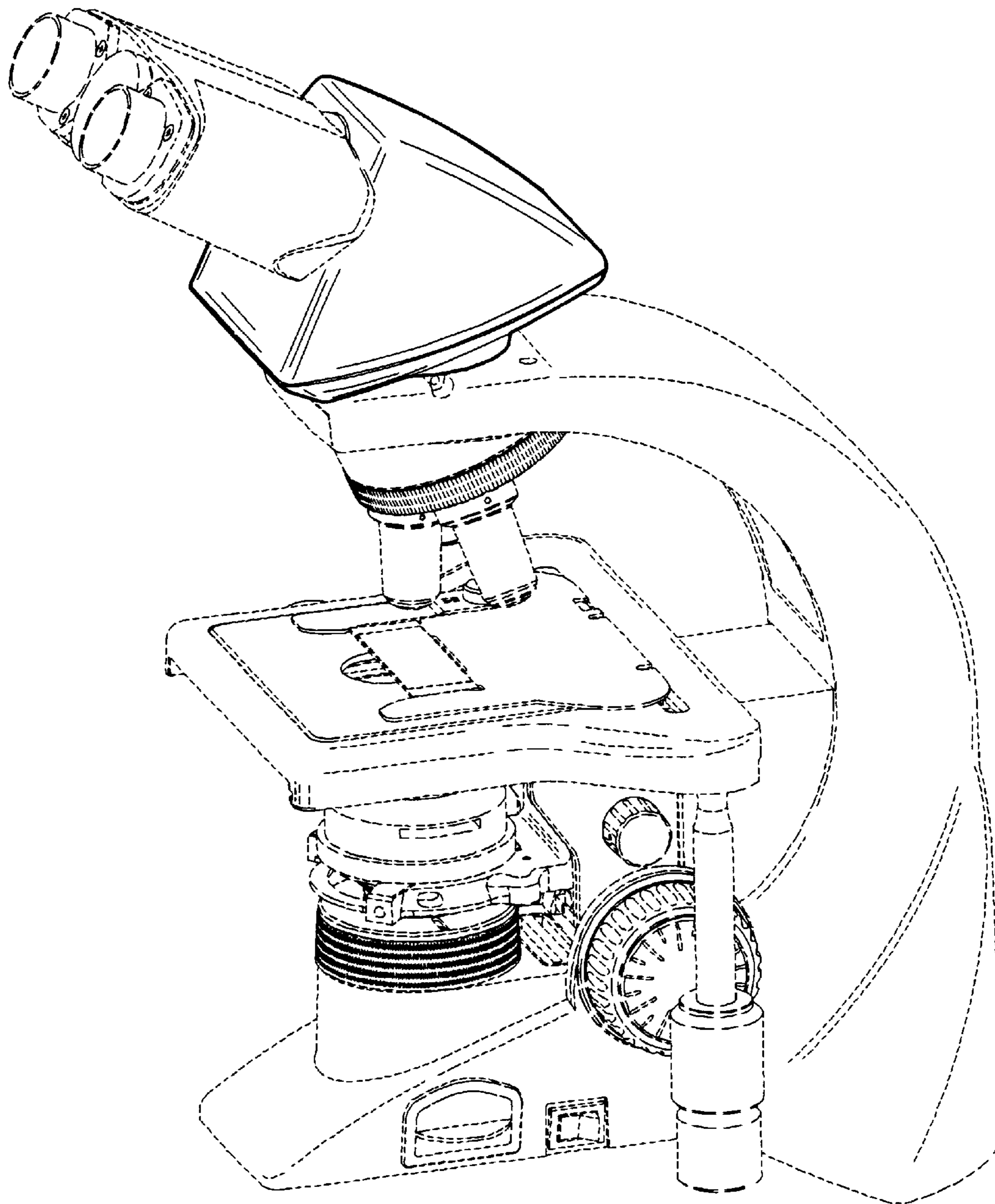


Fig. 8