



US00D511783S

(12) **United States Design Patent**
Maruyama

(10) **Patent No.:** **US D511,783 S**

(45) **Date of Patent:** **** Nov. 22, 2005**

(54) **BASE CARRIER TRAVELER FOR A TRAVELING WORKING MACHINE**

(75) Inventor: **Katsuya Maruyama, Akashi (JP)**

(73) Assignee: **Kobelco Construction Machinery Co., Ltd., Hiroshima (JP)**

(**) Term: **14 Years**

(21) Appl. No.: **29/223,210**

(22) Filed: **Feb. 11, 2005**

Related U.S. Application Data

(62) Division of application No. 29/190,727, filed on Sep. 26, 2003.

(30) **Foreign Application Priority Data**

Mar. 26, 2003	(JP)	2003-008226
Mar. 26, 2003	(JP)	2003-008227
Mar. 26, 2003	(JP)	2003-008228
Mar. 26, 2003	(JP)	2003-008229
Mar. 26, 2003	(JP)	2003-008230
Mar. 26, 2003	(JP)	2003-008231
Mar. 26, 2003	(JP)	2003-008232

(51) **LOC (8) Cl.** **15-03**

(52) **U.S. Cl.** **D15/26**

(58) **Field of Search** D15/10, 22-26;
175/52, 85, 22, 23, 28; 180/89.1, 89.12,
900; 414/592, 618, 633, 680, 785, 694;
172/456, 474

(56) **References Cited**

U.S. PATENT DOCUMENTS

D221,573 S	8/1971	Ashton
D264,590 S	5/1982	Thomas
5,266,001 A	11/1993	Kanayama et al.
5,423,655 A	6/1995	Kanayama et al.
D366,489 S	1/1996	Brown
5,535,688 A	7/1996	Kaufman

Primary Examiner—Mitchell Siegel

(74) *Attorney, Agent, or Firm*—Oblon, Spivak, McClelland, Maier & Neustadt, P.C.

(57) **CLAIM**

The ornamental design for a base carrier traveler for a traveling working machine, as shown and described.

DESCRIPTION

FIG. 1 is a front elevational view of a base carrier traveler for a traveling working machine;
FIG. 2 is a front elevational view thereof;
FIG. 3 is a left side elevational view thereof;
FIG. 4 is a right side elevational view thereof;
FIG. 5 is a top plan view thereof;
FIG. 6 is a bottom plan view thereof;
FIG. 7 is a top, rear and left side perspective view thereof;
and,
FIG. 8 is an enlarged end view taken along line A—A of FIG. 1 with the internal mechanisms thereof omitted.
The phantom lines shown form no part of the claimed invention.

1 Claim, 3 Drawing Sheets

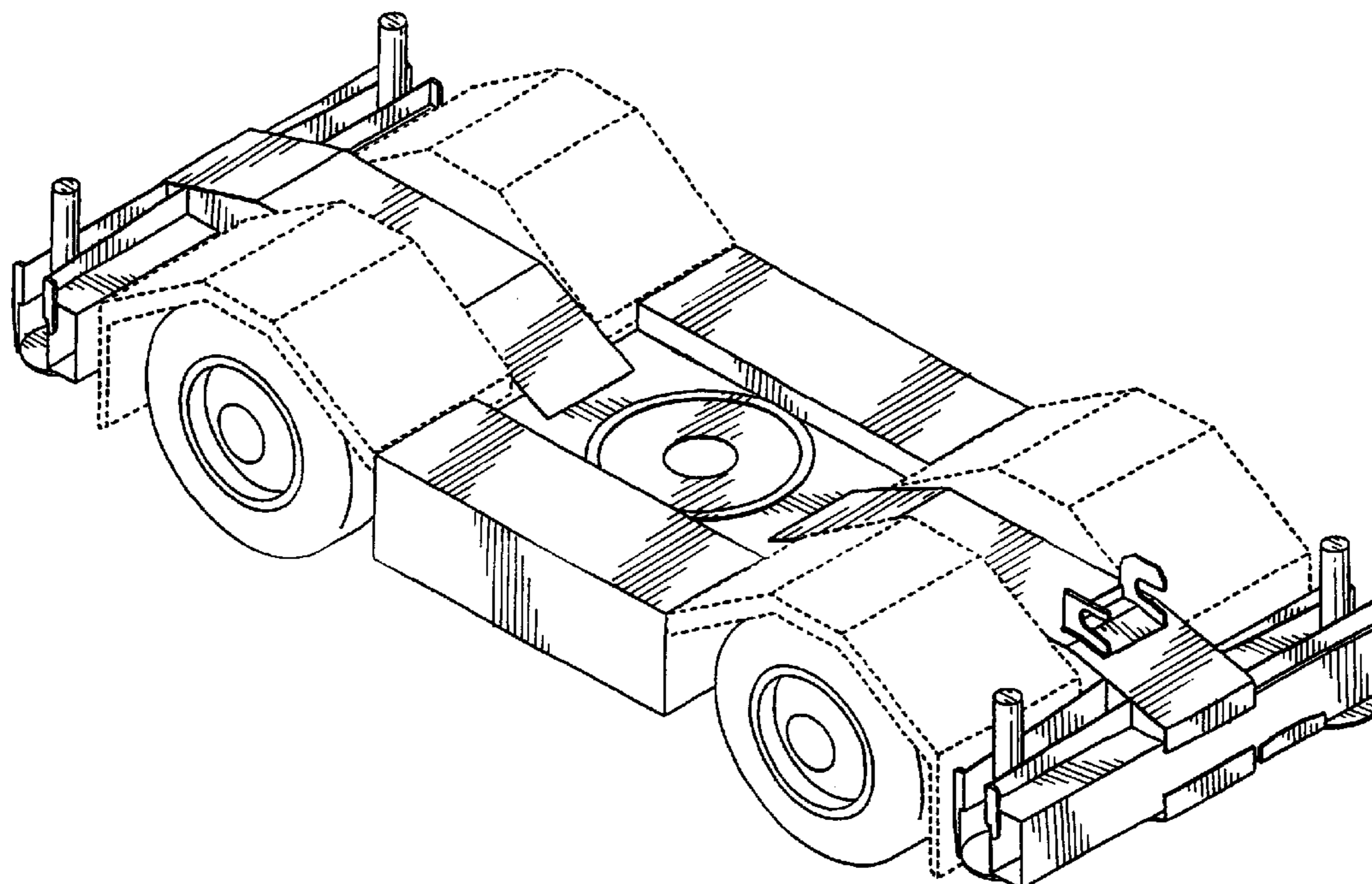
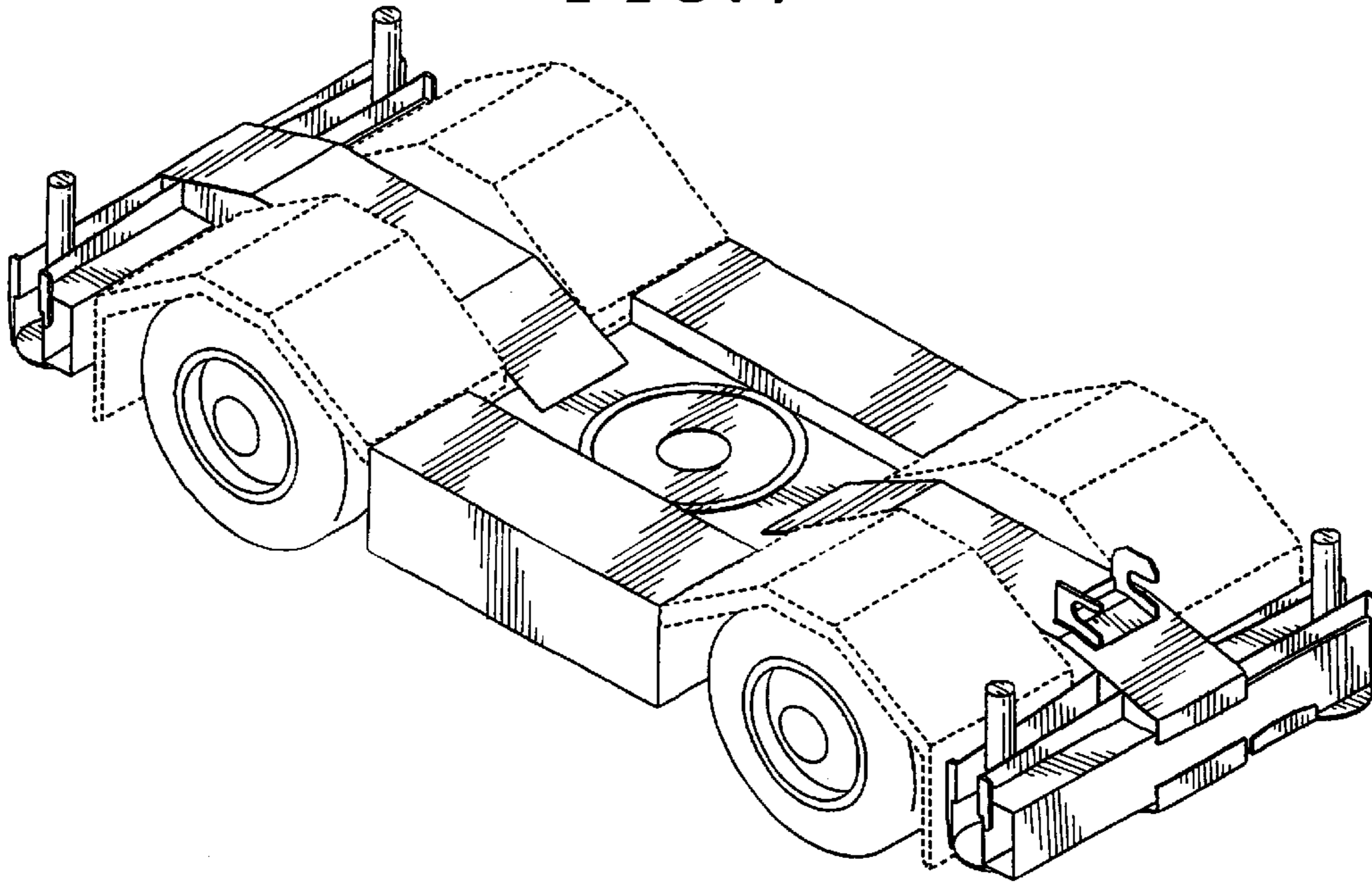
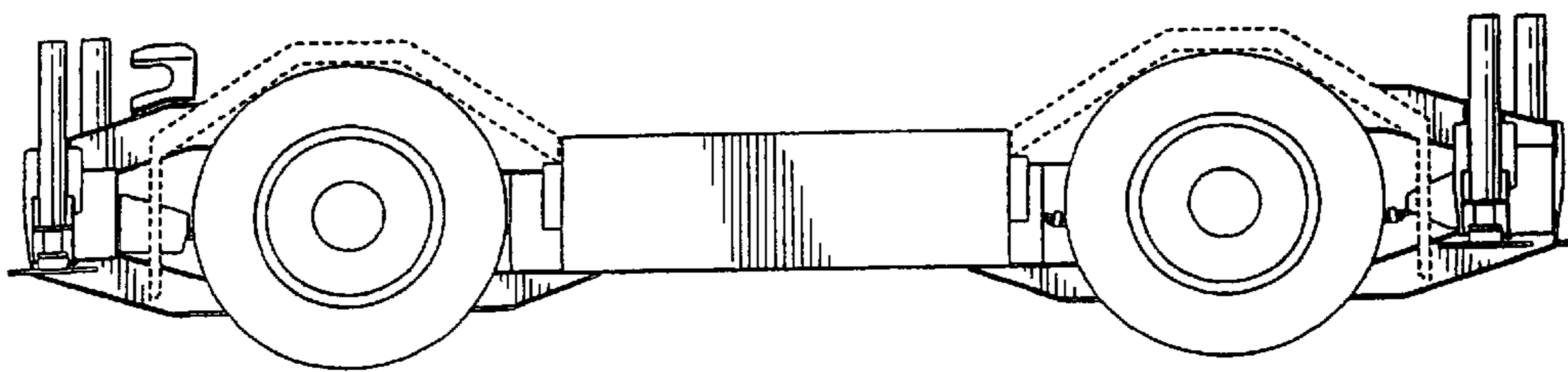


FIG. 7



8.←



8.←

FIG. 1

FIG. 2

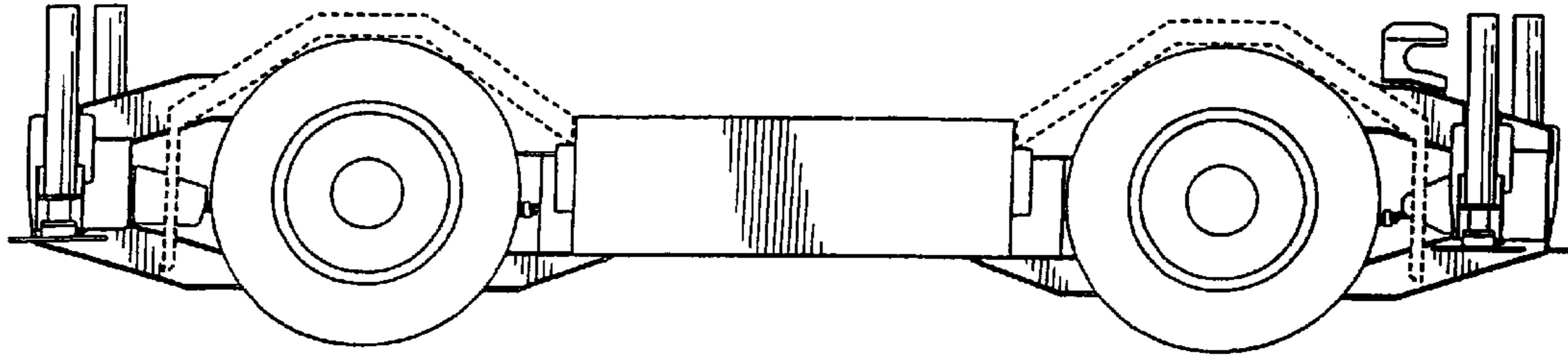


FIG. 3

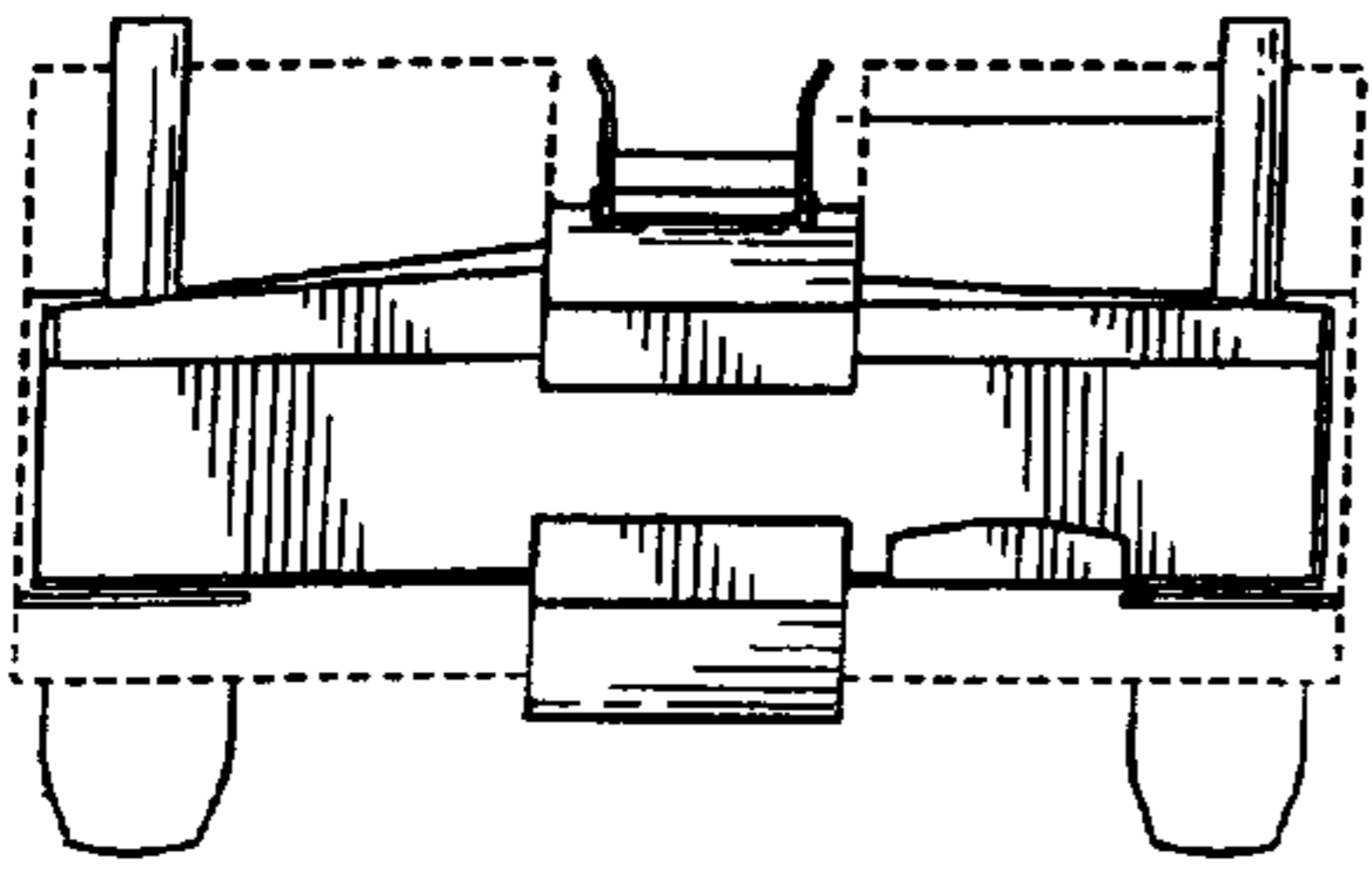


FIG. 4

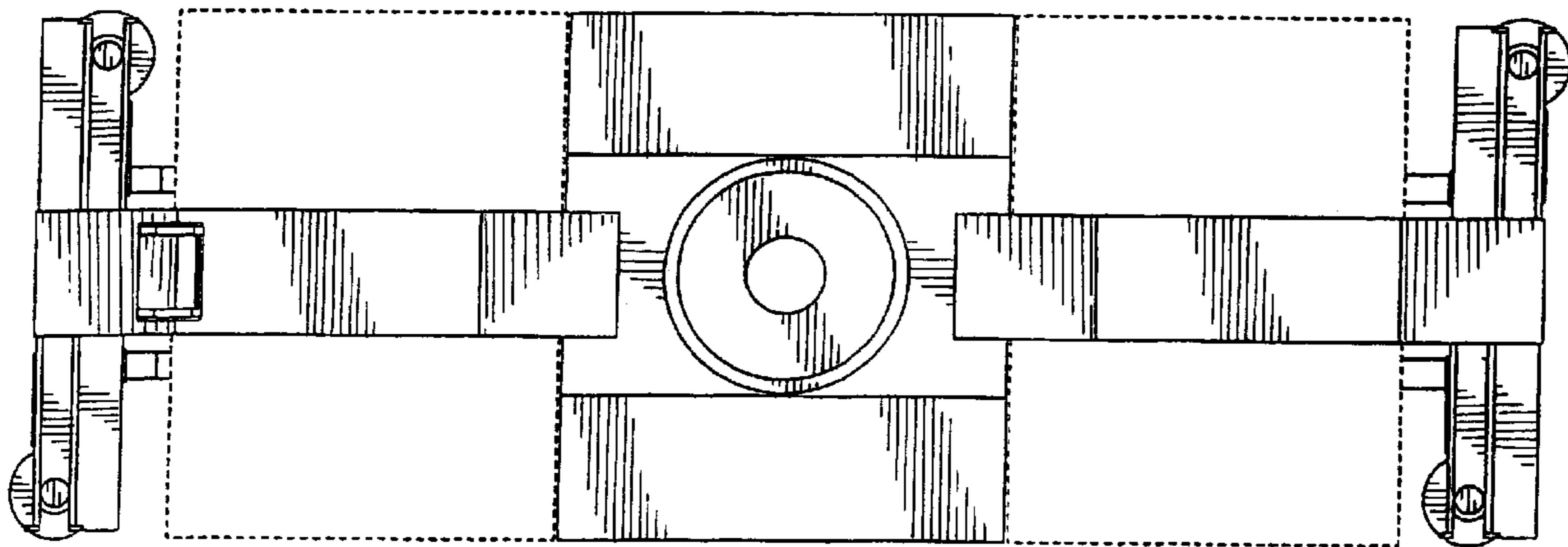
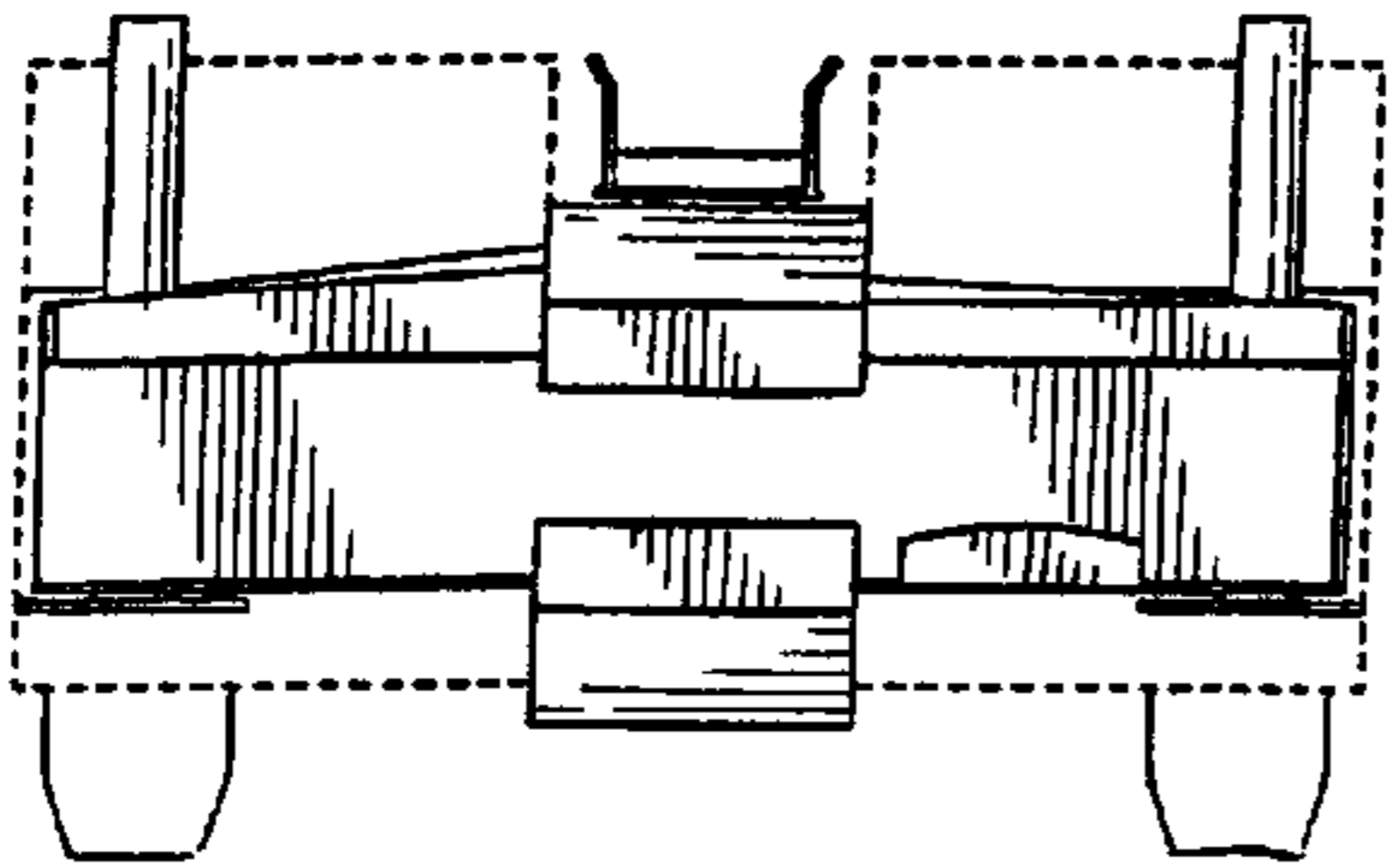


FIG. 5

FIG. 6

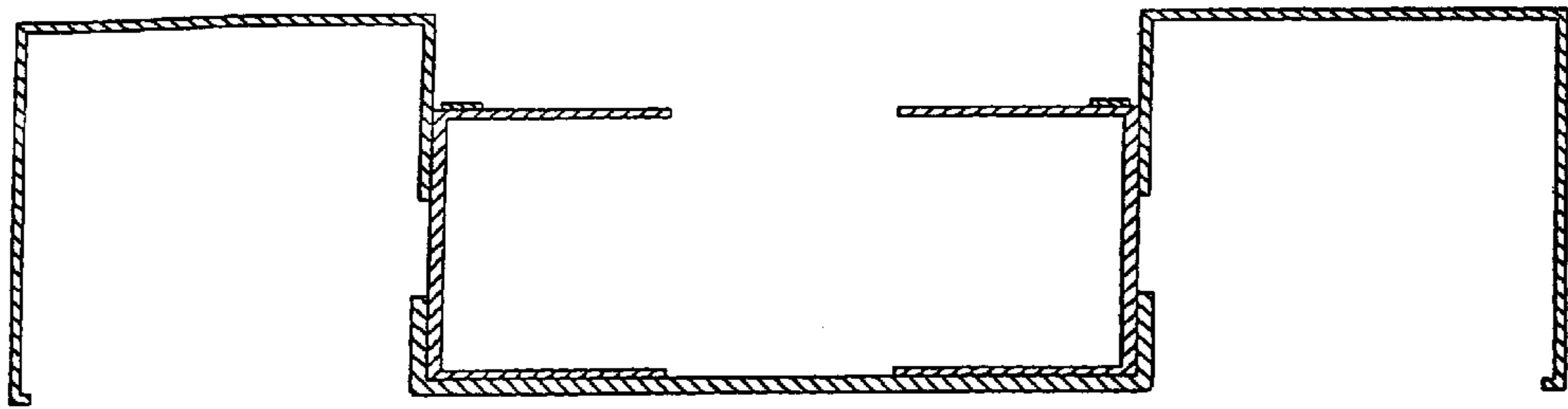
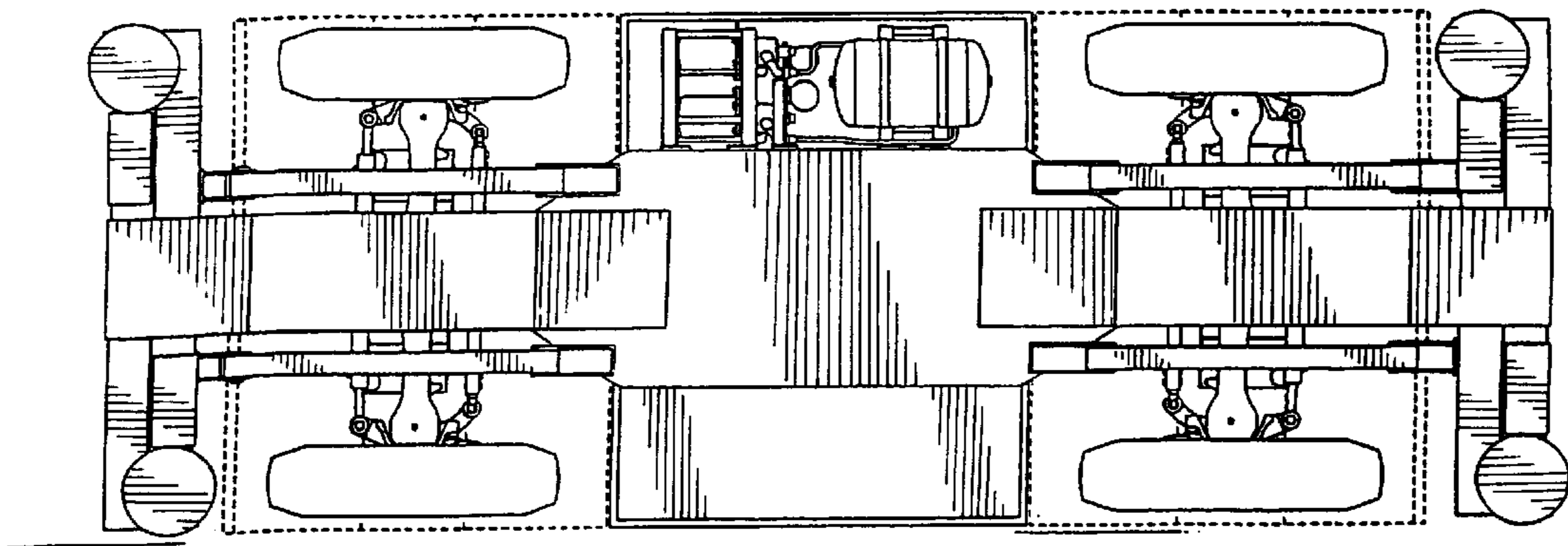


FIG. 8