



US00D511776S

(12) **United States Design Patent**  
**Sakamoto**

(10) **Patent No.:** **US D511,776 S**

(45) **Date of Patent:** **\*\* Nov. 22, 2005**

(54) **SCANNER**

(75) **Inventor:** **Hideaki Sakamoto, Chikushi (JP)**

(73) **Assignee:** **Matsushita Electric Industrial Co., Ltd., Osaka (JP)**

(\*\*) **Term:** **14 Years**

(21) **Appl. No.:** **29/193,032**

(22) **Filed:** **Oct. 31, 2003**

(30) **Foreign Application Priority Data**

Sep. 8, 2003 (JP) ..... 2003-026118

(51) **LOC (8) Cl.** ..... **14-02**

(52) **U.S. Cl.** ..... **D14/421**

(58) **Field of Search** ..... D14/421-425;  
D18/36-39, 55; 355/81, 75; 399/405, 367,  
379, 380; 358/497; 235/470, 462.43, 482,  
483

(56) **References Cited**

**U.S. PATENT DOCUMENTS**

- D197,540 S \* 2/1964 Knowles ..... D18/36
- D218,991 S \* 10/1970 Allport ..... D18/14
- 3,600,557 A \* 8/1971 Zappia ..... 235/470
- D234,627 S \* 3/1975 Vigna ..... D16/246
- 4,439,036 A \* 3/1984 Davis et al. .... 355/75
- D277,006 S \* 1/1985 Takahashi et al. .... D14/422
- D303,660 S 9/1989 Yamagiwa et al.
- D304,181 S 10/1989 Kagayama et al.
- D311,909 S \* 11/1990 Chen ..... D14/420
- D315,898 S \* 4/1991 Hokura et al. .... D14/422
- D341,617 S \* 11/1993 Patterson ..... D16/246
- 5,301,244 A \* 4/1994 Parulski ..... 382/319
- D350,769 S \* 9/1994 Hattori et al. .... D18/49
- D363,924 S 11/1995 Ueda et al.
- D366,652 S \* 1/1996 Ichinose ..... D14/422
- D368,256 S \* 3/1996 Stropkay et al. .... D14/420

- D371,120 S \* 6/1996 Kono et al. .... D14/425
- 5,564,686 A \* 10/1996 Horng ..... 271/4.01
- D380,204 S \* 6/1997 Kogoh et al. .... D14/425
- D383,449 S \* 9/1997 Iimura ..... D14/422
- D401,614 S 11/1998 Moriyama
- D411,186 S \* 6/1999 Izaki ..... D14/421
- D412,520 S \* 8/1999 Krastel et al. .... D16/246
- D413,112 S 8/1999 Ohata et al.
- D415,127 S \* 10/1999 Ueda ..... D14/425
- D426,240 S 6/2000 Senda
- D433,439 S \* 11/2000 Yoshida et al. .... D18/36

**FOREIGN PATENT DOCUMENTS**

- JP D761131 5/1989
- JP D761131/1 5/1989
- JP D788392 5/1990
- JP D788392/1 11/1992
- JP D761131/2 3/1995
- JP D1142471 6/2002

\* cited by examiner

*Primary Examiner*—Stella Reid

*Assistant Examiner*—Susan Moon Lee

(74) *Attorney, Agent, or Firm*—Brinks Hofer Gilson & Lione

(57) **CLAIM**

The ornamental design for a scanner, as shown and described.

**DESCRIPTION**

FIG. 1 is a top perspective view of a scanner of the present invention;

FIG. 2 is a first side view thereof;

FIG. 3 is a second side view thereof;

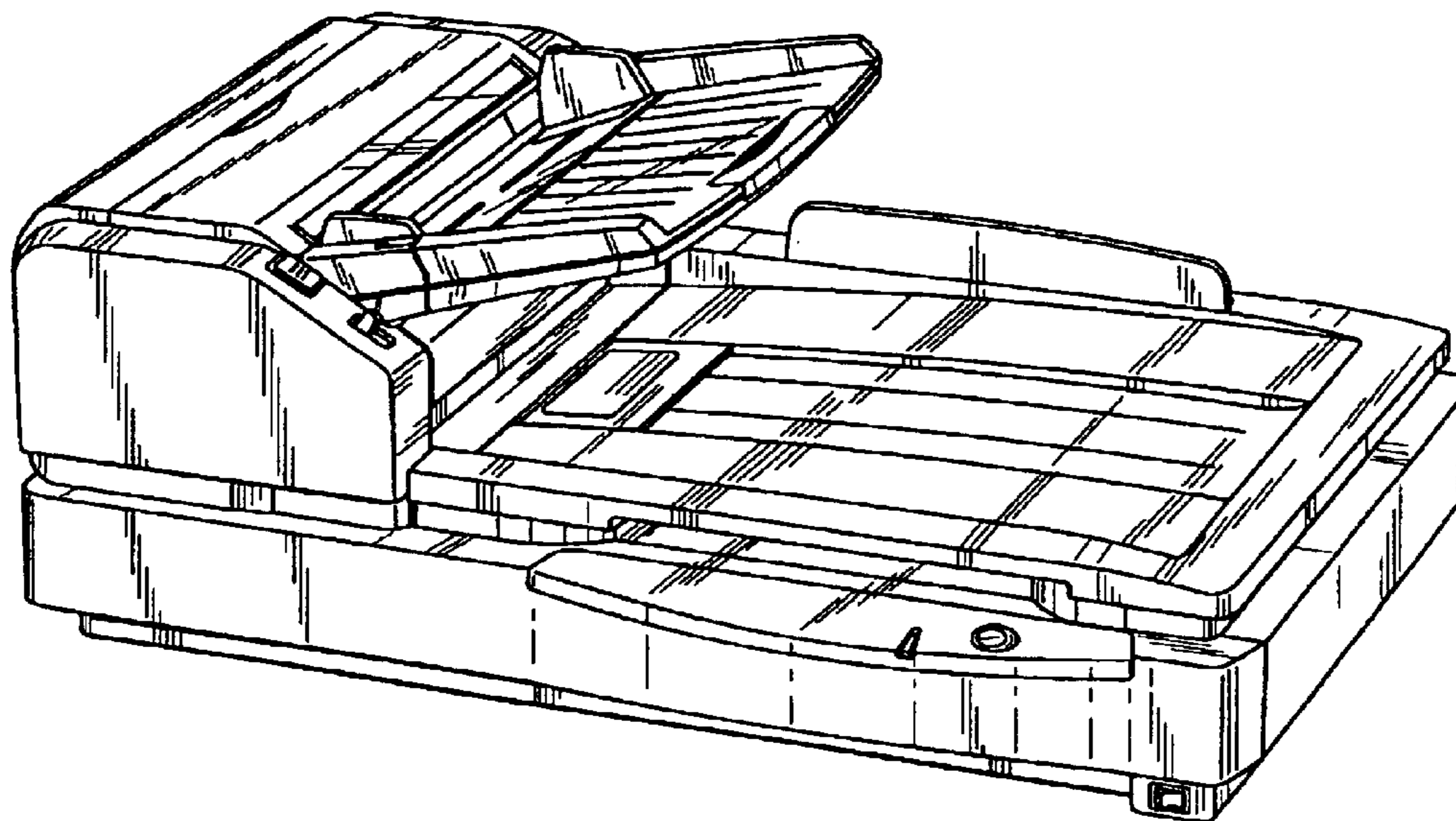
FIG. 4 is a front view thereof;

FIG. 5 is a top view thereof;

FIG. 6 is a bottom view thereof; and,

FIG. 7 is a rear view thereof.

**1 Claim, 4 Drawing Sheets**



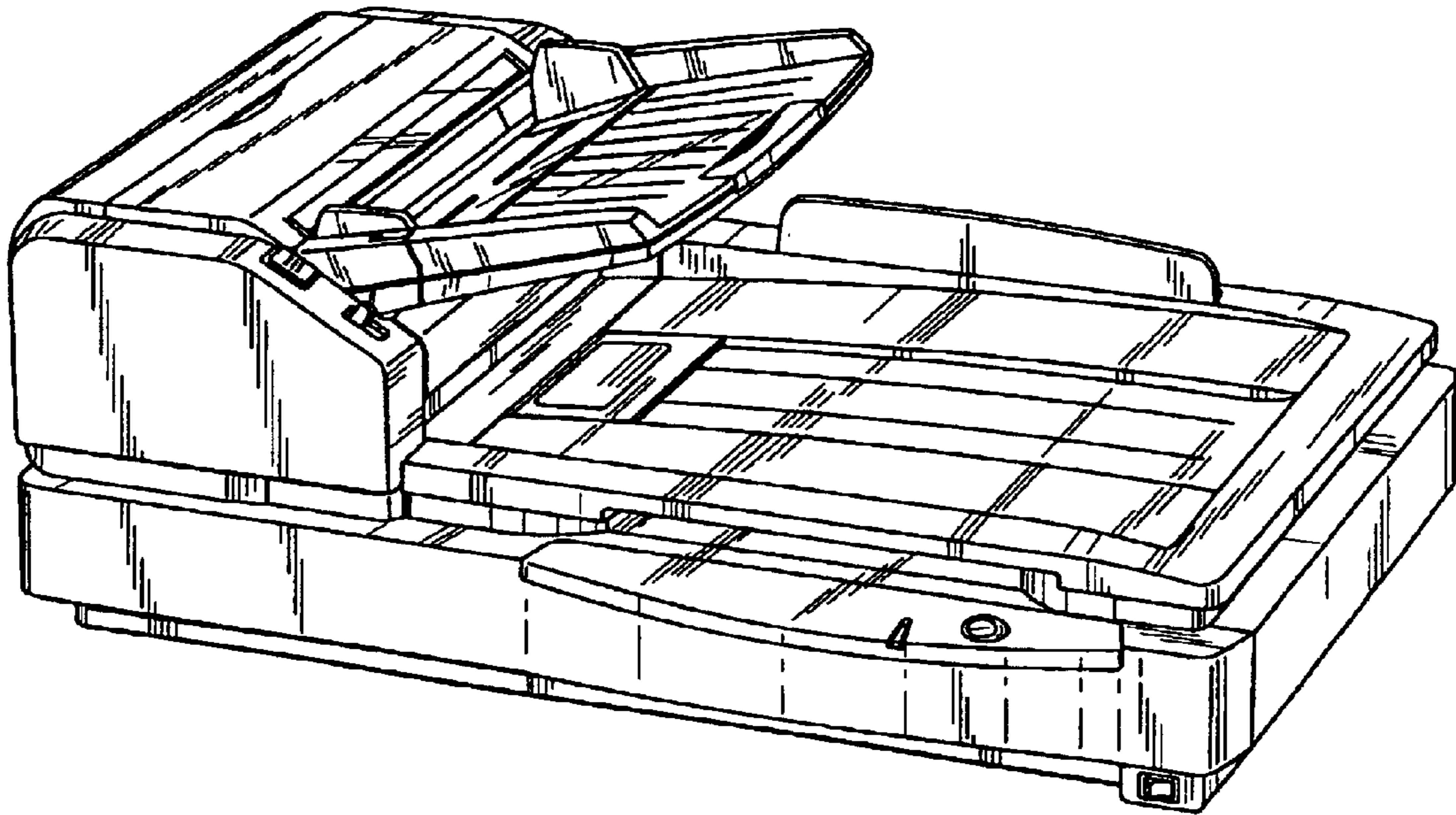


FIG. 1

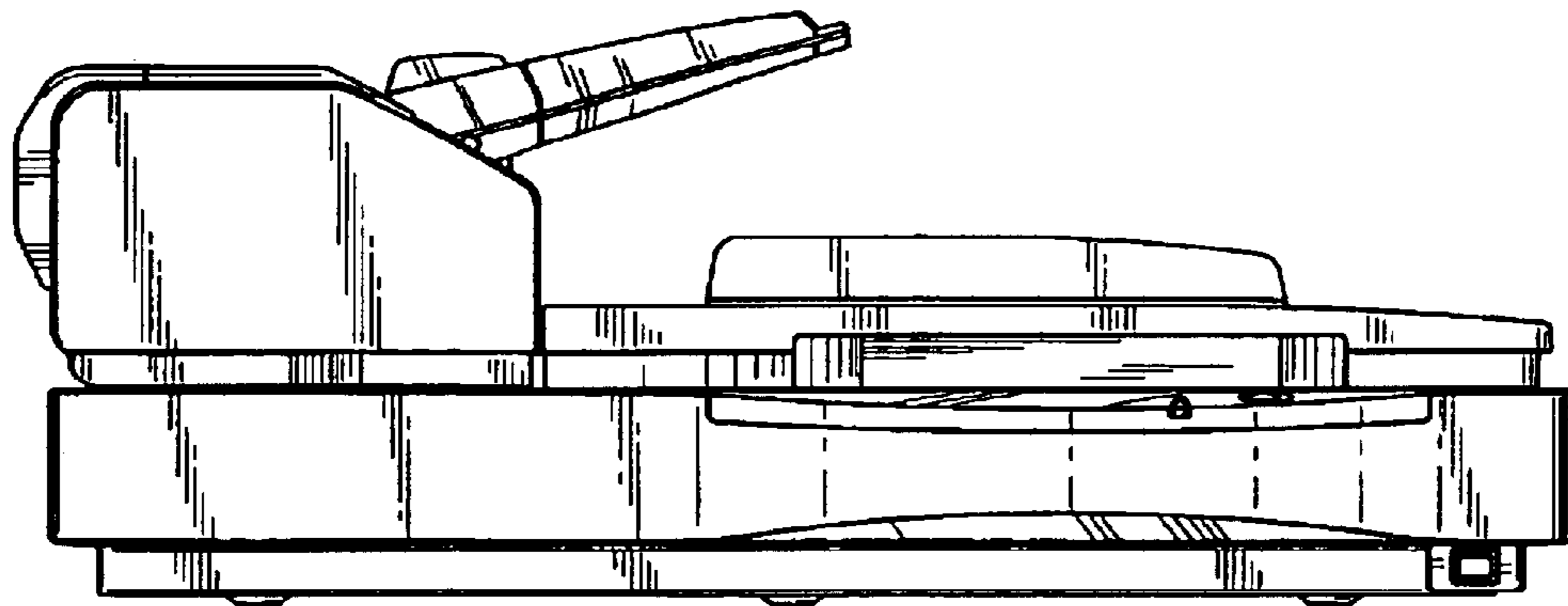


FIG. 2

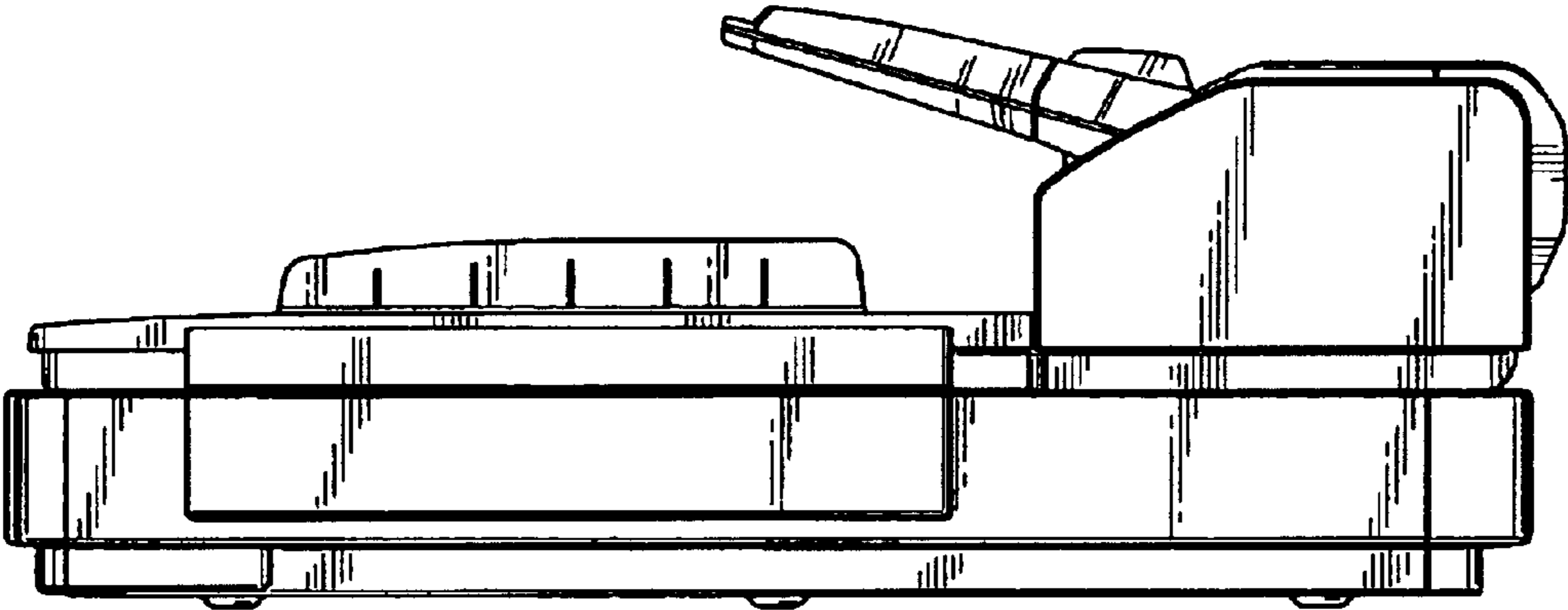


FIG. 3

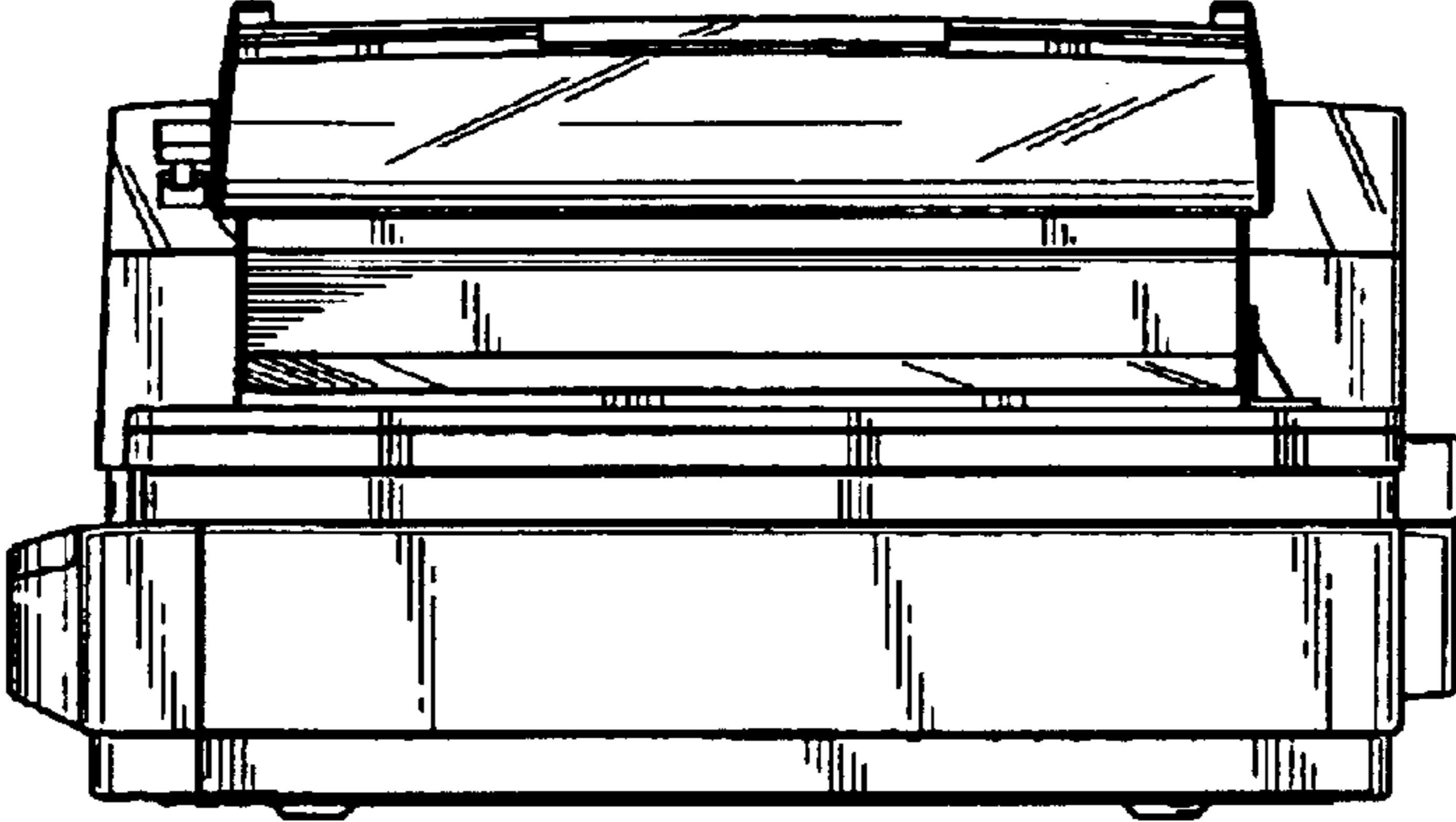


FIG. 4

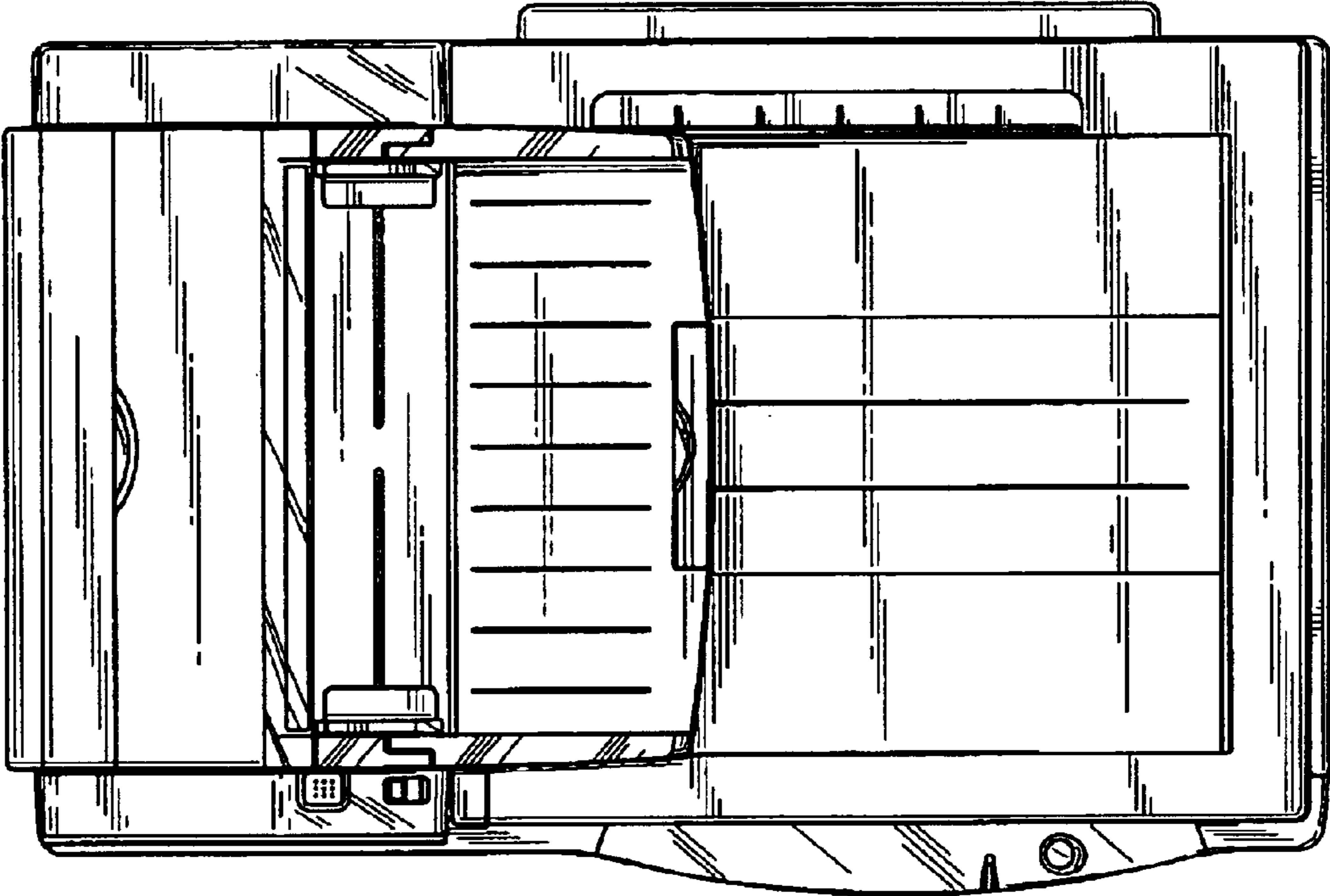


FIG. 5

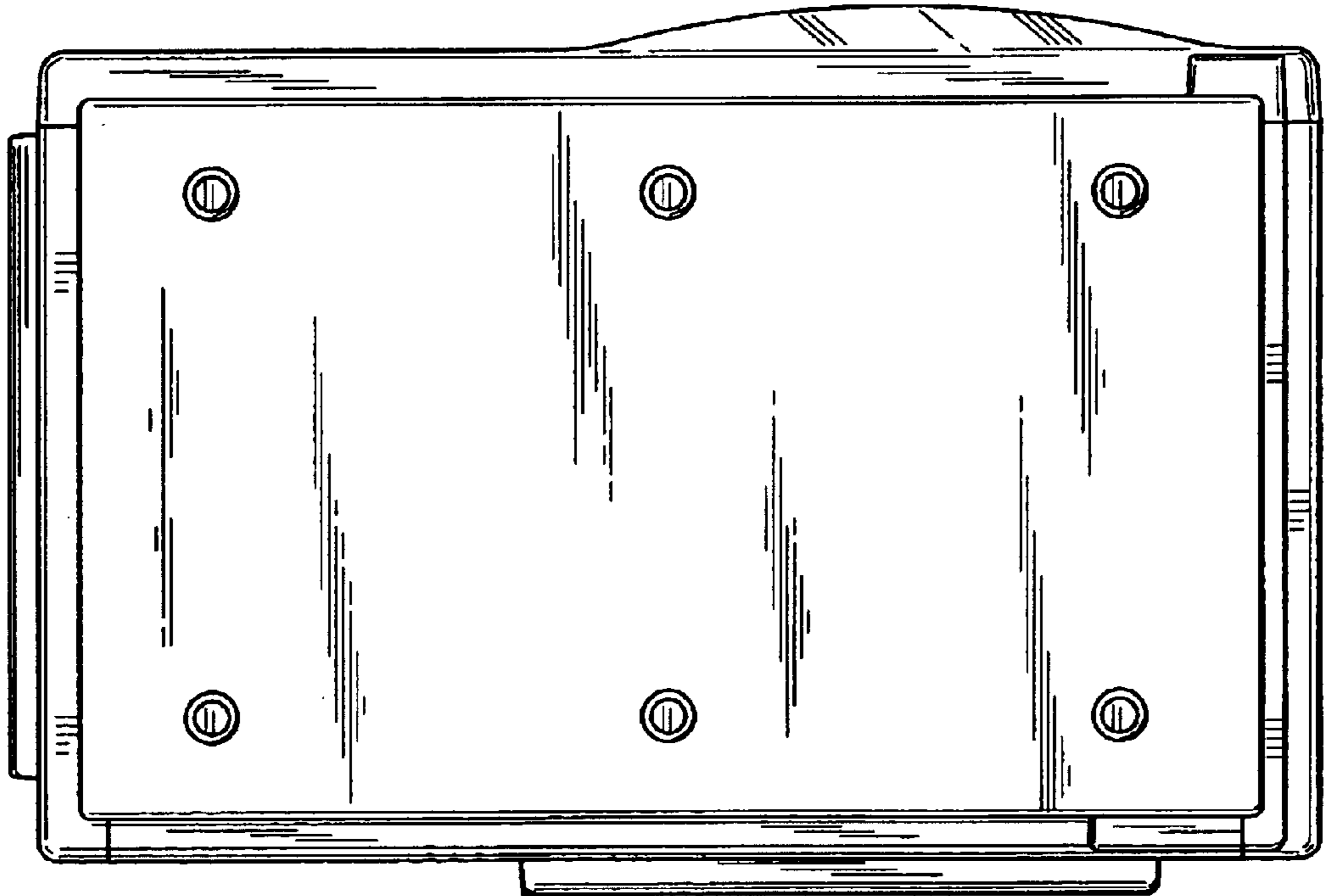


FIG. 6

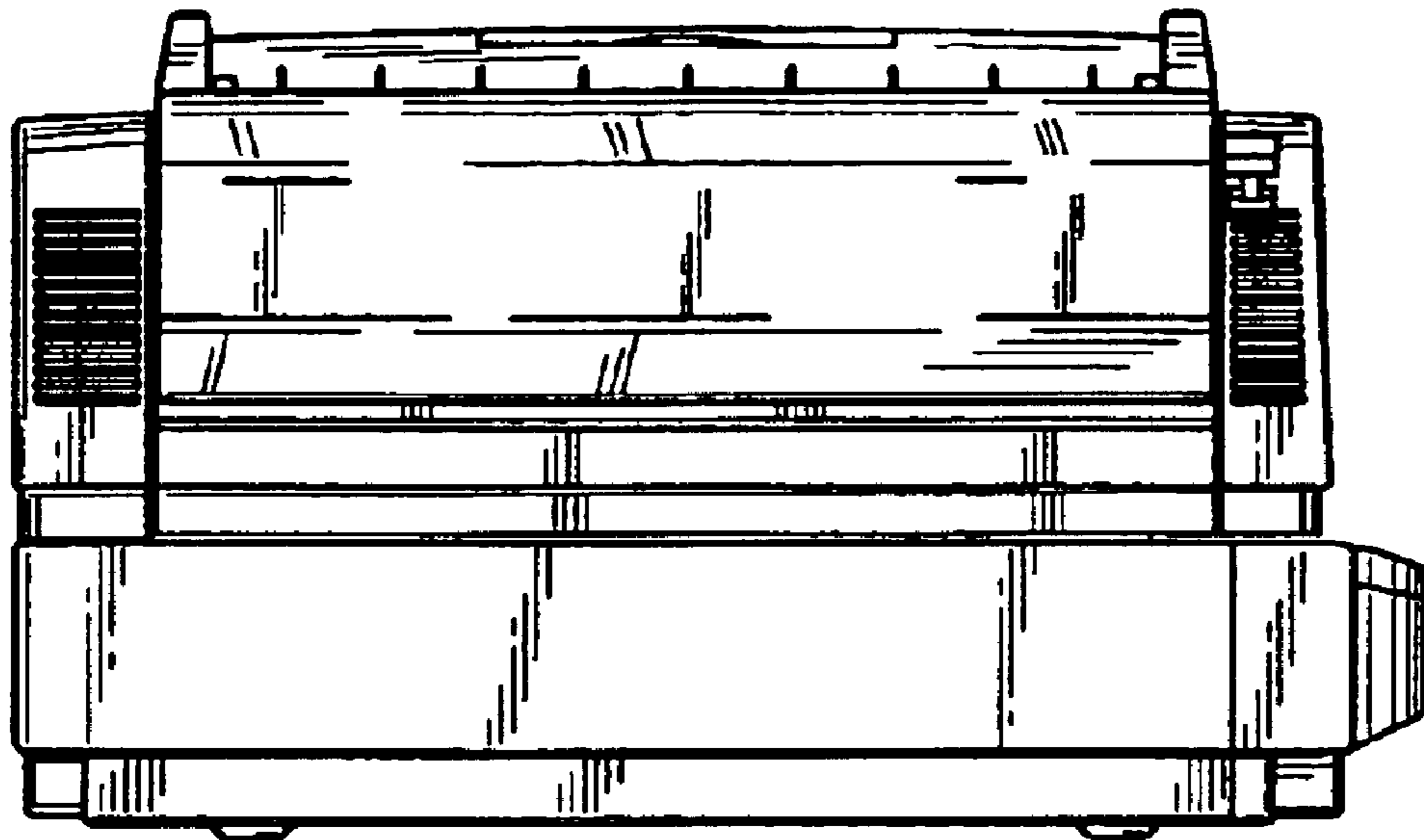


FIG. 7