

US00D511771S

(12) **United States Design Patent** (10) **Patent No.:** **US D511,771 S**
Burns et al. (45) **Date of Patent:** **** Nov. 22, 2005**

(54) **KEY BUTTON ARRANGEMENT FOR A HANDSET**

(75) Inventors: **Duncan Burns**, Tarzana, CA (US);
Jamie Langford, Grapevine, TX (US);
Tanja Finkbeiner, Middlesex (GB)

(73) Assignee: **Nokia Corporation**, Espoo (FI)

(**) Term: **14 Years**

D421,256 S 2/2000 Sato et al.
6,137,525 A 10/2000 Lee et al.
D451,485 S 12/2001 Moss
D459,332 S * 6/2002 Peiker D14/147
D460,058 S 7/2002 Suzuki et al.
D468,279 S 1/2003 Kim et al.
D469,070 S * 1/2003 Lee D14/138
6,510,325 B1 1/2003 Mack et al.
D476,302 S 6/2003 Hwang et al.
D476,303 S 6/2003 Lee et al.

(Continued)

(21) Appl. No.: **29/224,554**

(22) Filed: **Mar. 4, 2005**

Related U.S. Application Data

(62) Division of application No. 29/192,299, filed on Oct. 23, 2003.

(51) **LOC (8) Cl.** **14-03**

(52) **U.S. Cl.** **D14/247**

(58) **Field of Search** D14/137, 138,
D14/147-148, 247-248, 144, 341-347;
379/433.01-433.13, 434; 455/550.1-90.3,
575.3, 566, 575.1, 575.4, 575.6, 556.1,
556.2; D21/517; 345/169

(56) **References Cited**

U.S. PATENT DOCUMENTS

D297,734 S 9/1988 Soren et al.
D297,735 S 9/1988 Soren et al.
D306,294 S 2/1990 Watanabe
D326,091 S 5/1992 Kikuchi
5,436,954 A 7/1995 Nishiyama et al.
D395,300 S 6/1998 Yamazaki et al.

FOREIGN PATENT DOCUMENTS

JP 1155098 10/2002
WO DM/063 714 7/2003
WO DM/064 218 10/2003
WO DM/064560 10/2003
WO DM/066147 * 12/2004
WO DM/066166 * 12/2004

Primary Examiner—Jeffrey Asch

(74) *Attorney, Agent, or Firm*—Banner & Witcoff, Ltd.

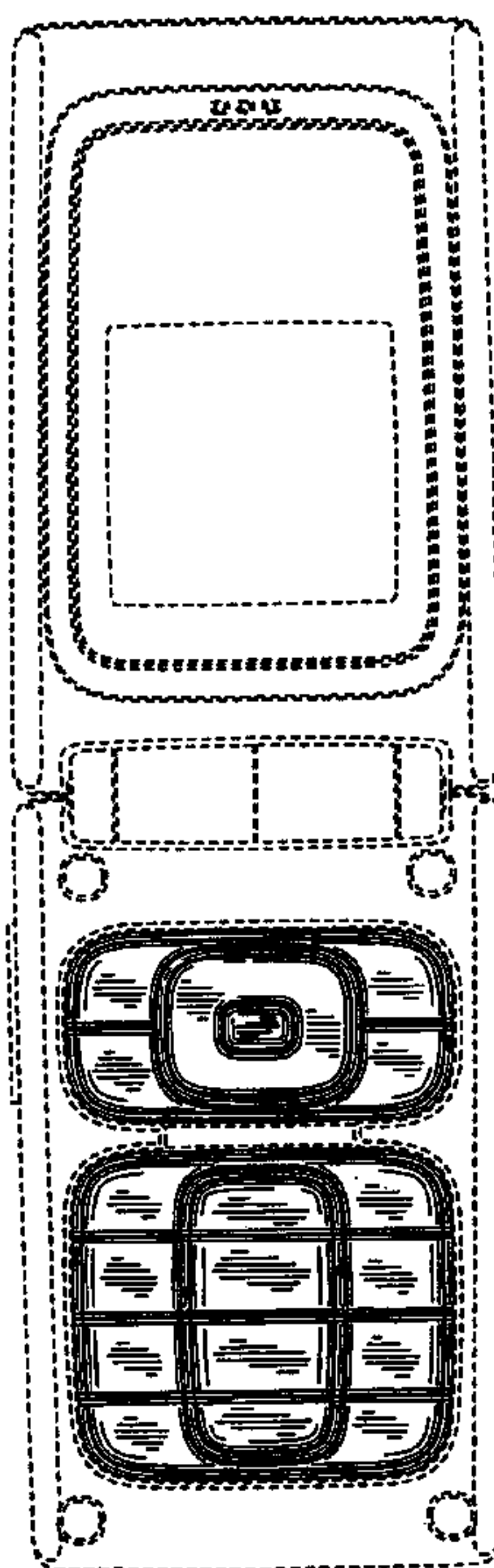
(57) **CLAIM**

The ornamental design of a key button arrangement for a handset, as shown and described.

DESCRIPTION

FIG. 1 is a front view of a key button arrangement for a handset showing our new design; and, FIG. 2 is a perspective side view thereof. The broken line showing of the remainder of the handset is for illustrative purposes only and forms no part of the claimed design.

1 Claim, 2 Drawing Sheets



US D511,771 S

Page 2

U.S. PATENT DOCUMENTS

D478,056 S	8/2003	Koo et al.	
D480,057 S	* 9/2003	Ho-Cheun et al.	D14/138
D484,863 S	1/2004	Chan	
D484,873 S	* 1/2004	Salmi	D14/247
D485,246 S	* 1/2004	Johansson et al.	D14/138
D485,249 S	1/2004	Liao et al.	
D485,818 S	1/2004	Yabe et al.	
D487,443 S	3/2004	Yoon	
D487,444 S	3/2004	Yoon	
D488,789 S	* 4/2004	Lee	D14/138
D489,060 S	* 4/2004	Liao et al.	D14/247
D490,073 S	* 5/2004	Langford	D14/247
D490,390 S	* 5/2004	Johansson	D14/138
D490,792 S	6/2004	Lee	
D490,793 S	6/2004	Tsai et al.	
D491,546 S	6/2004	Tien et al.	
D491,547 S	6/2004	Cho	
D491,907 S	6/2004	Ogawa	
D491,930 S	* 6/2004	Widiaman	D14/247
D492,275 S	6/2004	Lin et al.	
D492,674 S	* 7/2004	Widiaman et al.	D14/247
D494,561 S	* 8/2004	Kagami et al.	D14/138
D495,672 S	9/2004	Jeon et al.	
D496,016 S	9/2004	Hoo	
D496,020 S	9/2004	Lee	
D496,640 S	* 9/2004	Seo	D14/138
D497,604 S	10/2004	Lee	
D498,473 S	* 11/2004	Sheu	D14/247
D498,735 S	* 11/2004	Chen et al.	D14/138
D500,310 S	* 12/2004	Johansson	D14/247
D502,457 S	* 3/2005	Eigenstetter et al.	D14/138
D503,697 S	* 4/2005	Kim	D14/138
2002/0137478 A1	9/2002	Masamura	
2003/0125079 A1	7/2003	Park et al.	
2003/0199290 A1	10/2003	Viertola	
2004/0142721 A1	7/2004	Kim	
2004/0180703 A1	* 9/2004	Kim et al.	455/575.1
2004/0185925 A1	* 9/2004	Kim	455/575.3
2004/0203535 A1	* 10/2004	Kim et al.	455/90.3
2005/0003852 A1	* 1/2005	Song	455/550.1
2005/0020327 A1	* 1/2005	Chung et al.	455/575.3

* cited by examiner

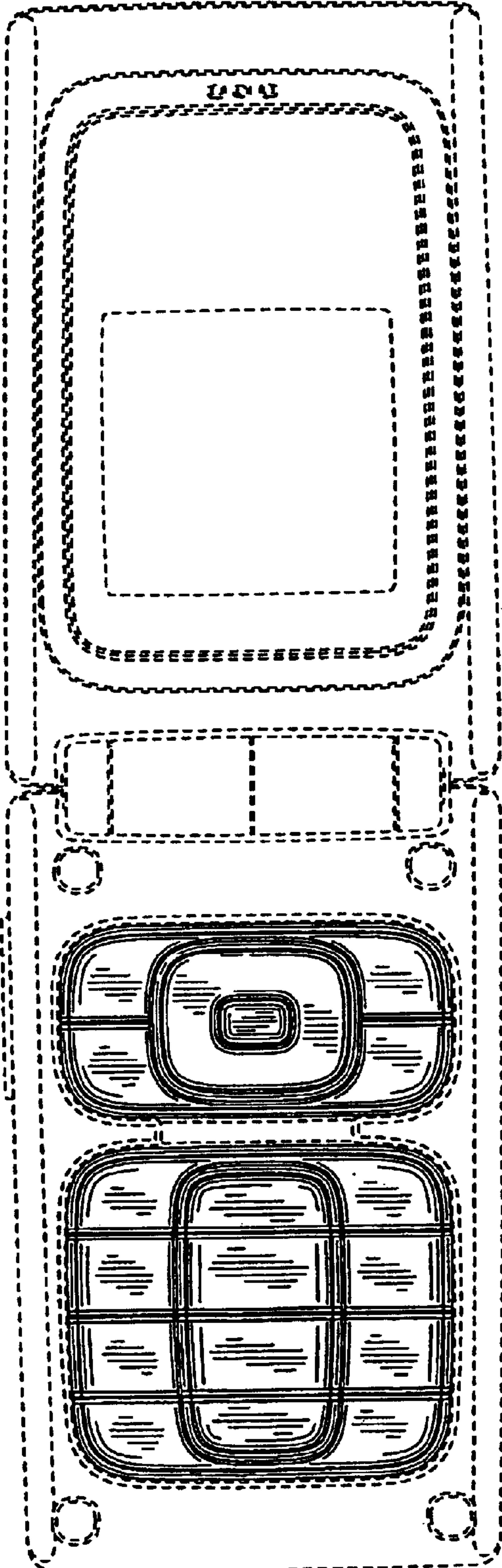


FIG. 1

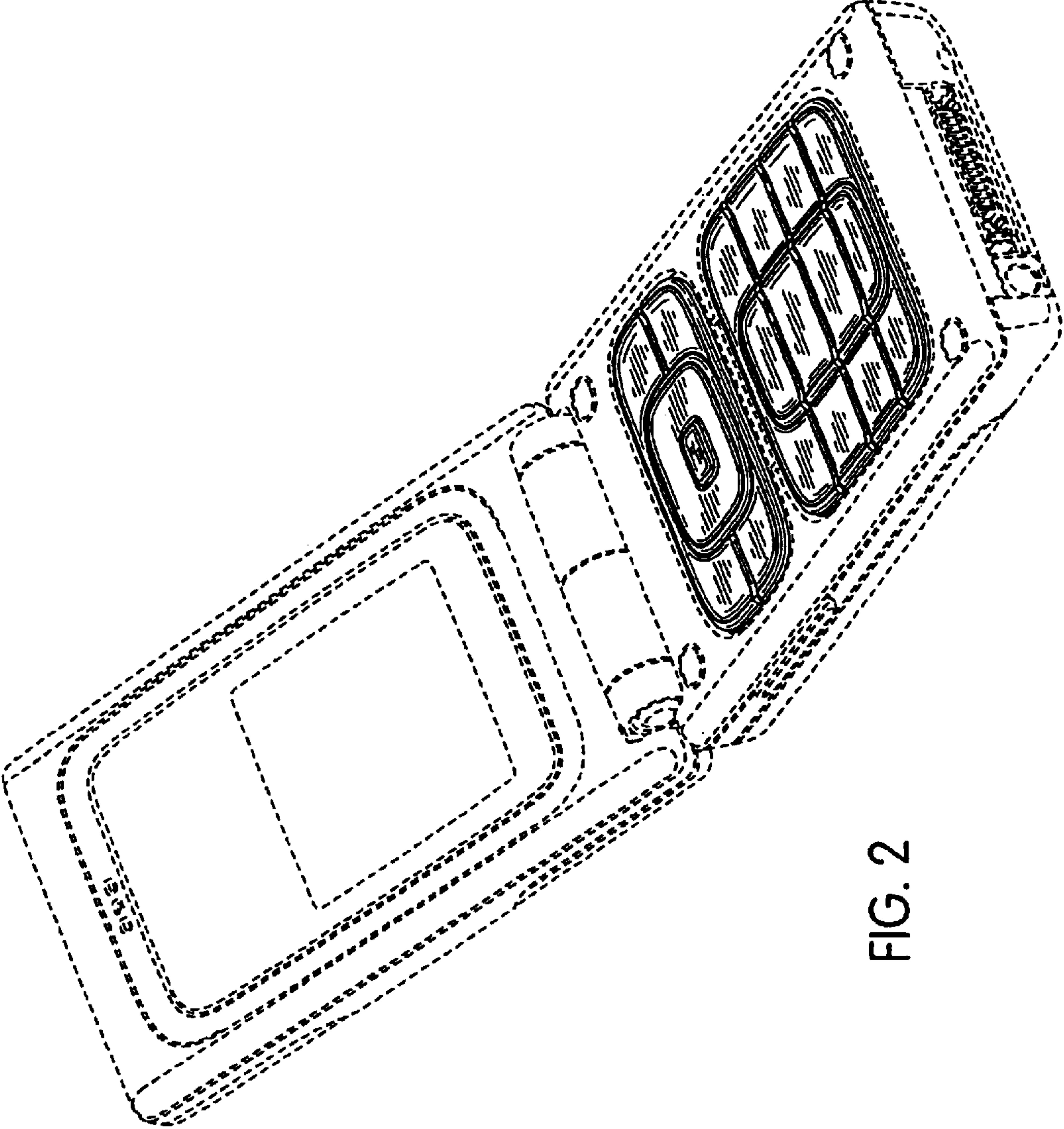


FIG. 2