



US00D511770S

(12) **United States Design Patent**  
**Chung**

(10) **Patent No.:** **US D511,770 S**

(45) **Date of Patent:** **\*\* Nov. 22, 2005**

(54) **NETWORK DEVICE**

(75) **Inventor:** **Ming-Tsai Chung, Hsinchu (TW)**

(73) **Assignee:** **D-Link Corporation, Hsinchu (TW)**

(\*\*) **Term:** **14 Years**

(21) **Appl. No.:** **29/200,963**

(22) **Filed:** **Mar. 9, 2004**

(51) **LOC (8) Cl. .... 14-03**

(52) **U.S. Cl. .... D14/240**

(58) **Field of Search** ..... D14/240, 349,  
D14/353, 242, 243, 248, 256, 299, 358,  
433, 356, 357; 455/151.1-151.4, 550-575,  
569.1-569.2; D13/184, 147, 168; 379/433.01-13,  
434, 419, 418; 220/4.02

(56) **References Cited**

**U.S. PATENT DOCUMENTS**

6,085,925	A	*	7/2000	Chung	.....	220/4.02
6,328,612	B1	*	12/2001	Chung	.....	439/717
D463,426	S	*	9/2002	Cheng	.....	D14/356
D486,479	S	*	2/2004	Chung	.....	D14/240
D486,824	S	*	2/2004	Chung	.....	D14/356

D487,458	S	*	3/2004	Gentil et al.	.....	D14/356
D490,402	S	*	5/2004	Jung et al.	.....	D14/240
6,735,450	B1	*	5/2004	Remmert	.....	455/550.1
D492,307	S	*	6/2004	Aqqad et al.	.....	D14/356
D500,755	S	*	1/2005	Chung	.....	D14/240

\* cited by examiner

*Primary Examiner*—Charles A. Rademaker

(74) *Attorney, Agent, or Firm*—Bacon & Thomas PLLC

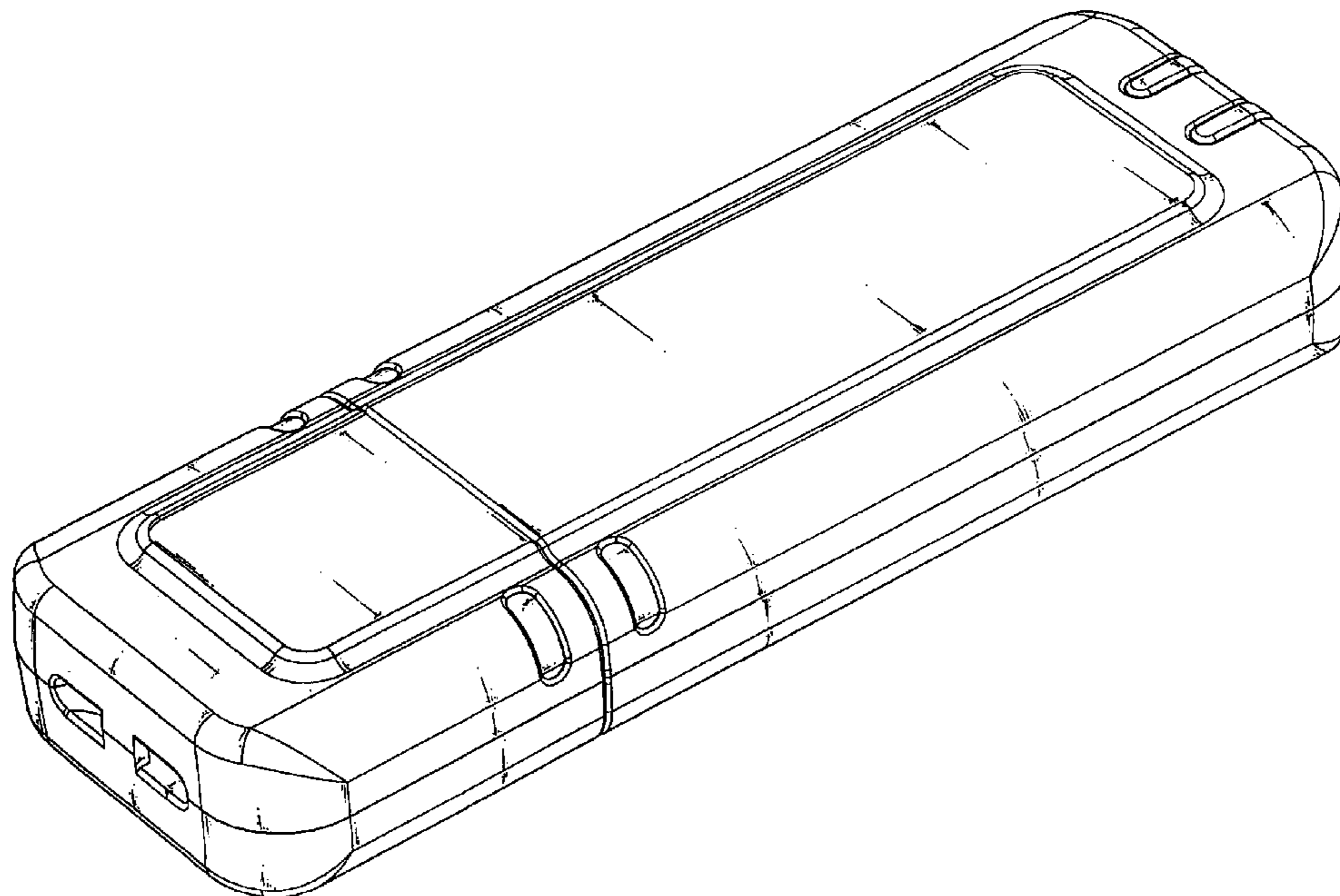
(57) **CLAIM**

The ornamental design for network device, as shown and described.

**DESCRIPTION**

FIG. 1 is a perspective view of network device showing my design;  
FIG. 2 is a front elevational view thereof;  
FIG. 3 is a rear elevational view thereof;  
FIG. 4 is a left side elevational view thereof;  
FIG. 5 is a right side elevational view thereof;  
FIG. 6 is a top plan view thereof; and  
FIG. 7 is a bottom plan view thereof; and,  
FIG. 8 is a perspective view of the network device shown in FIGS. 1 through 7 in an open condition.

**1 Claim, 6 Drawing Sheets**



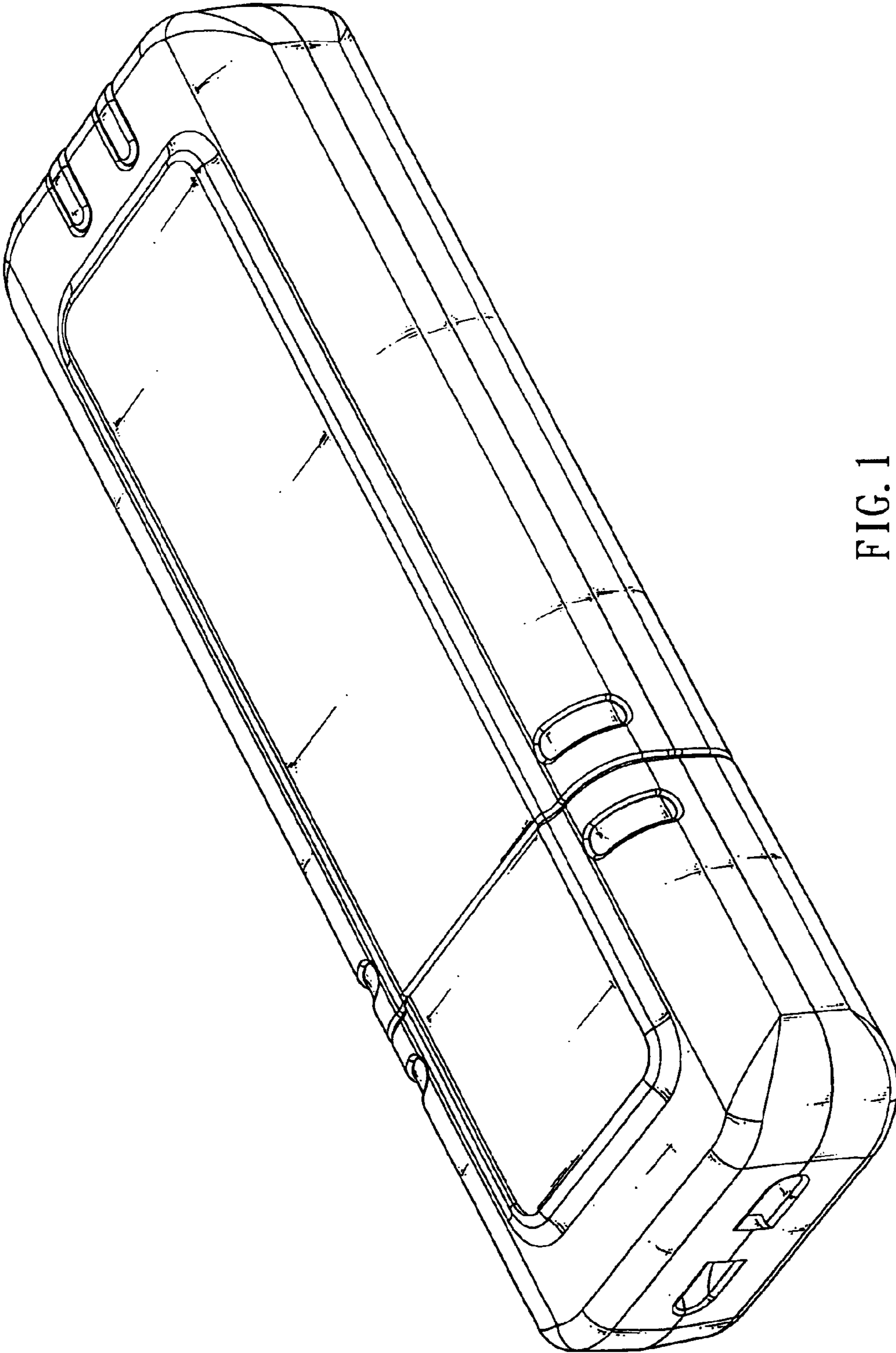


FIG. 1

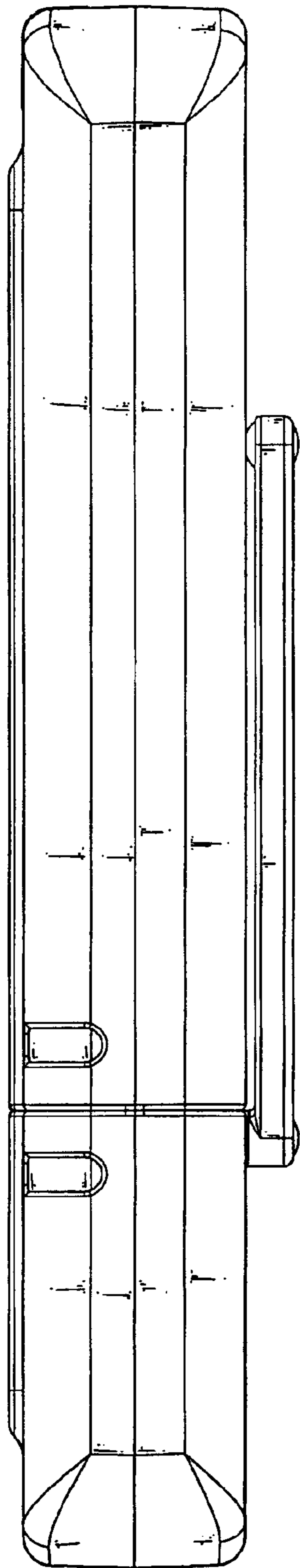


FIG. 2

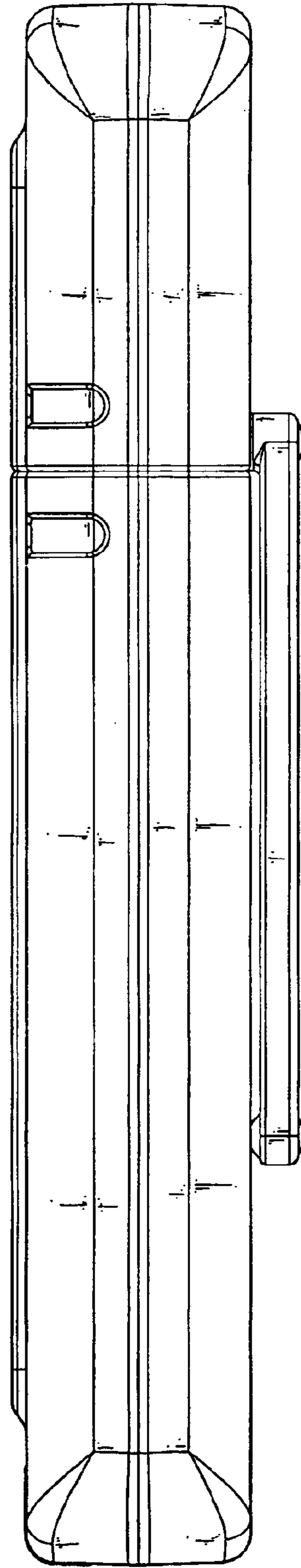


FIG. 3

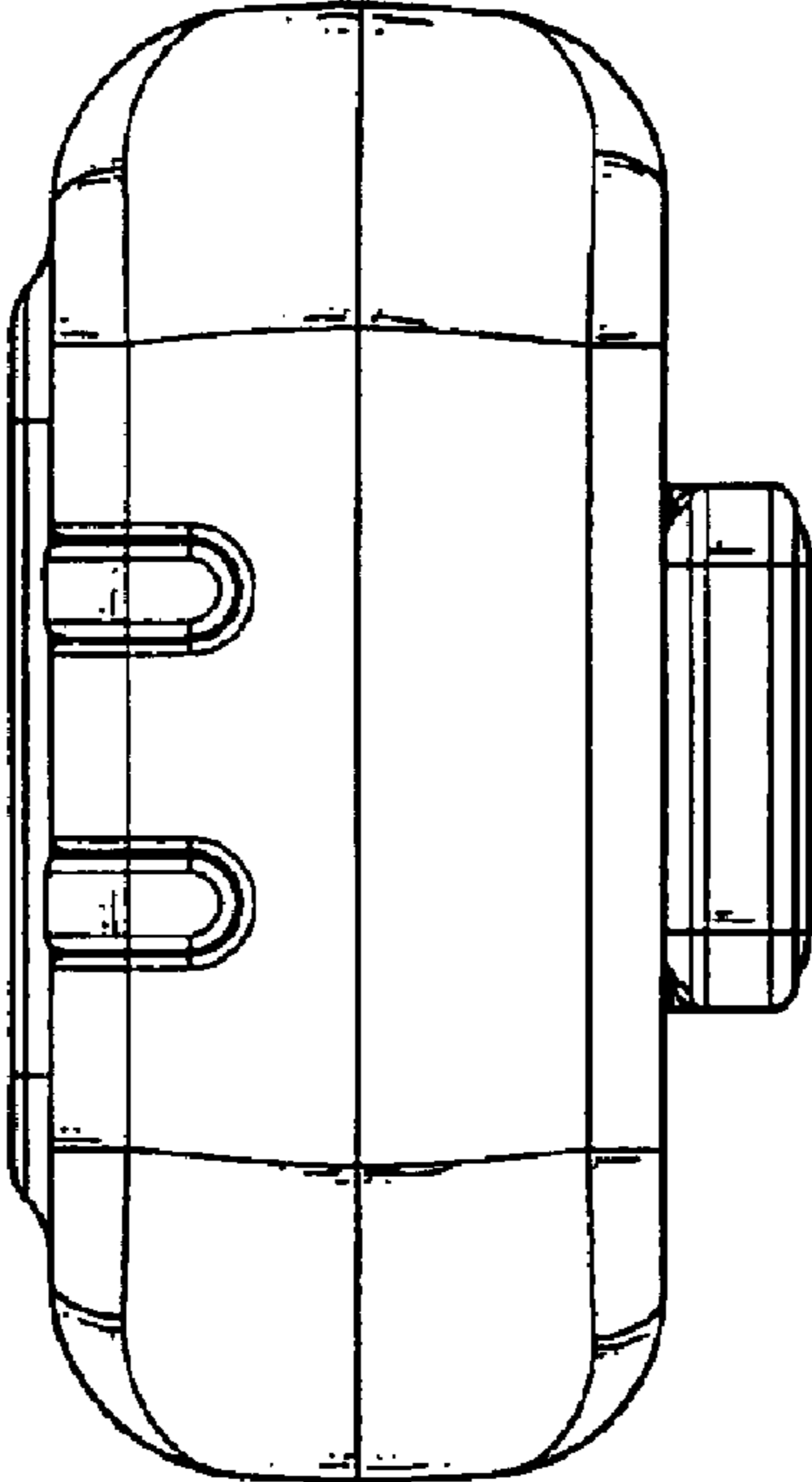


FIG. 5

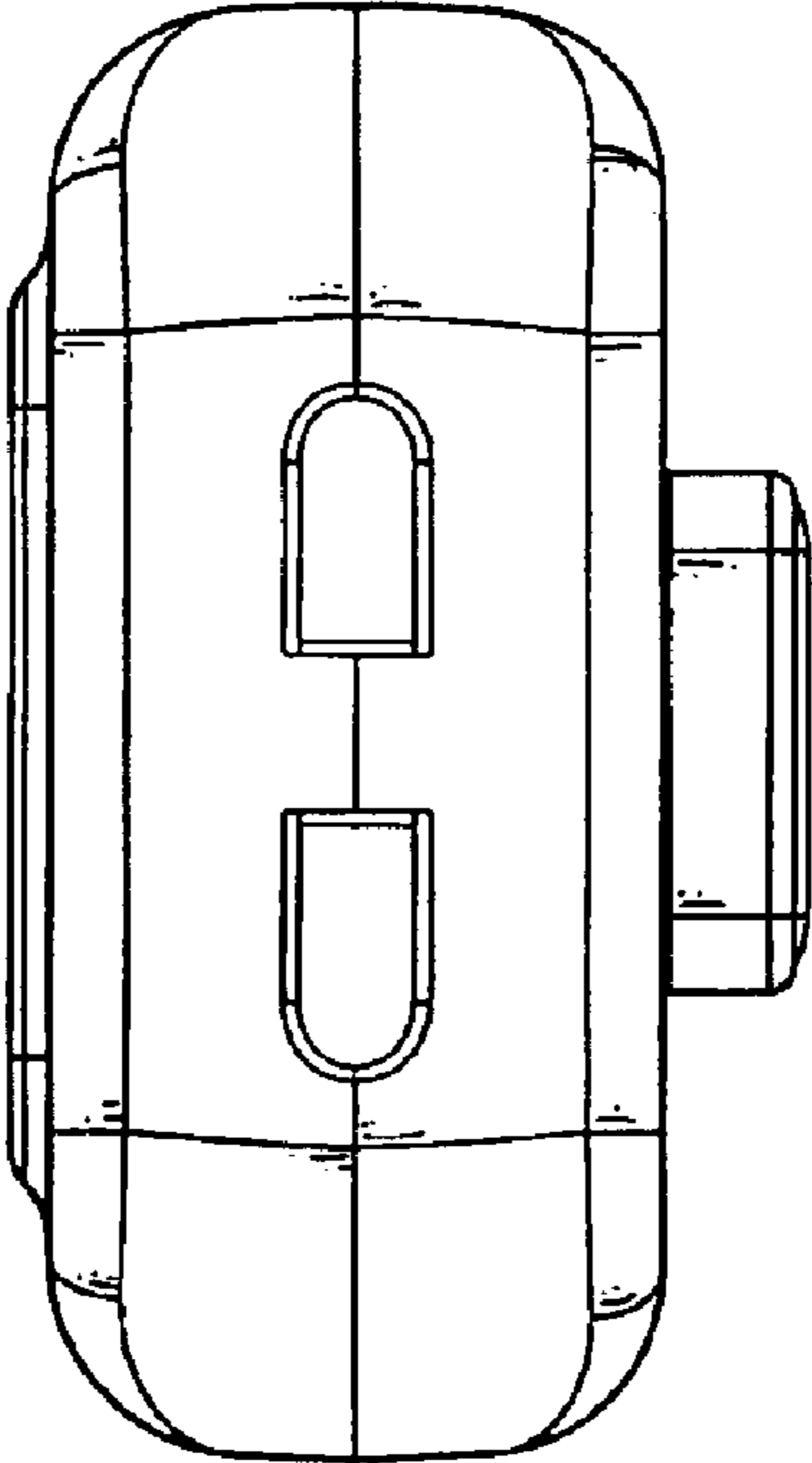


FIG. 4

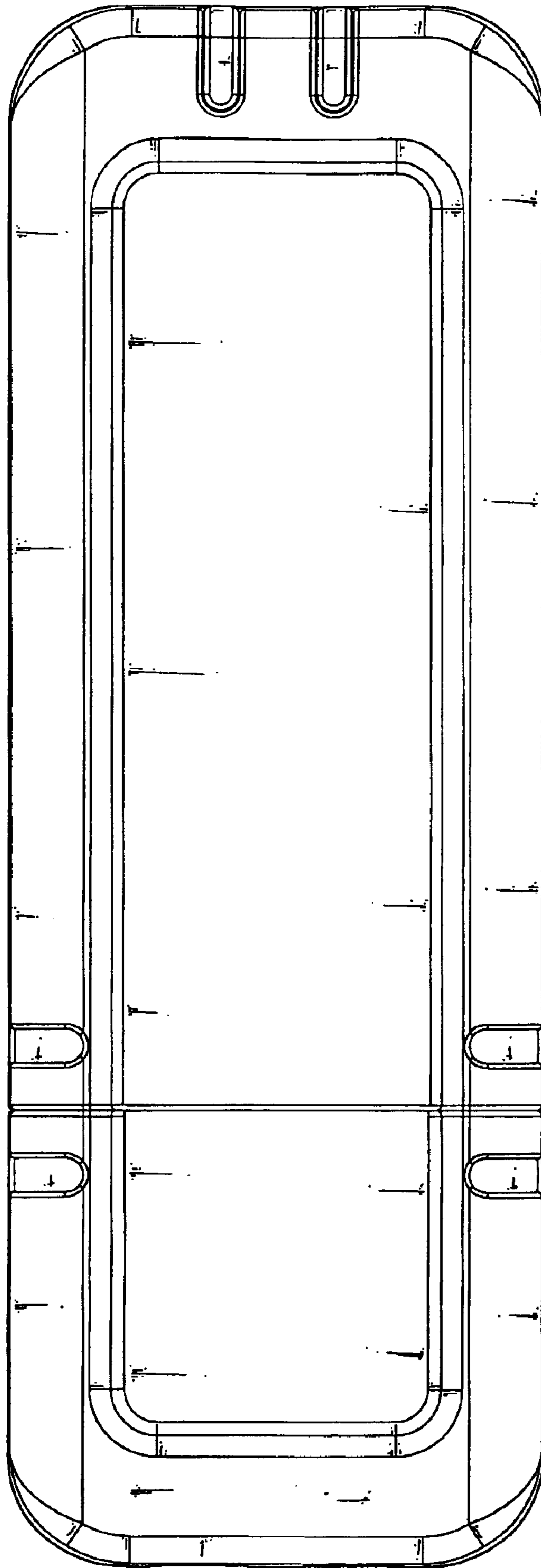


FIG. 6

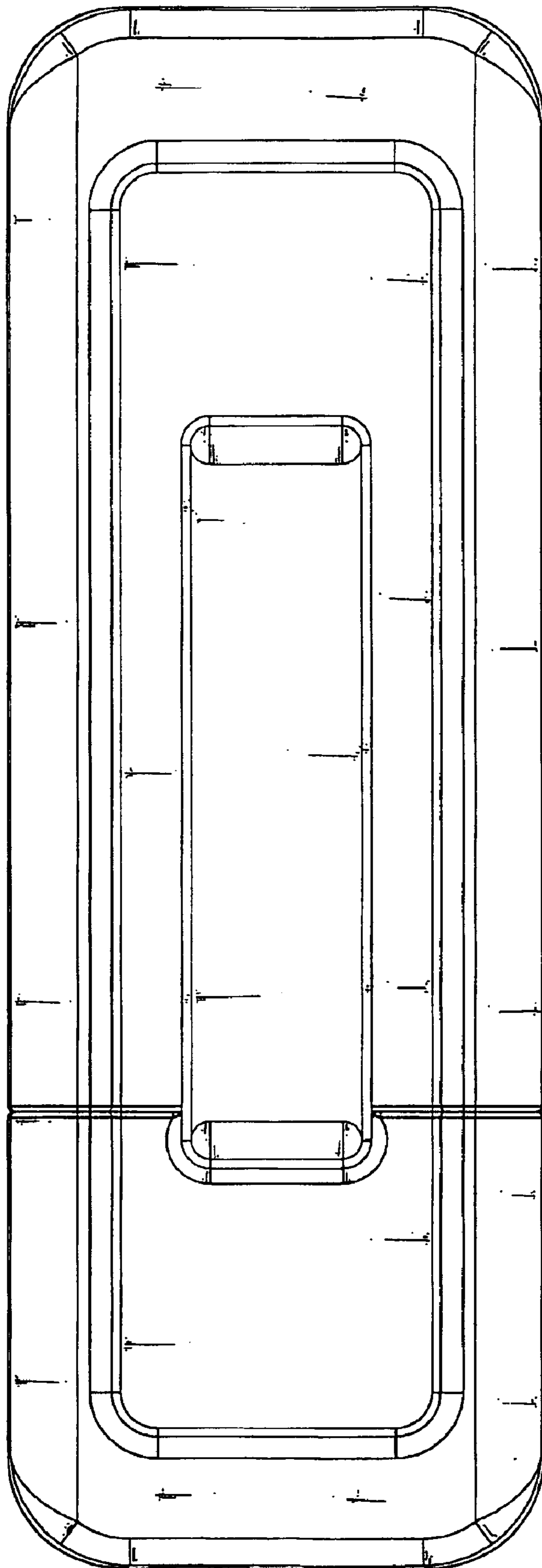


FIG. 7

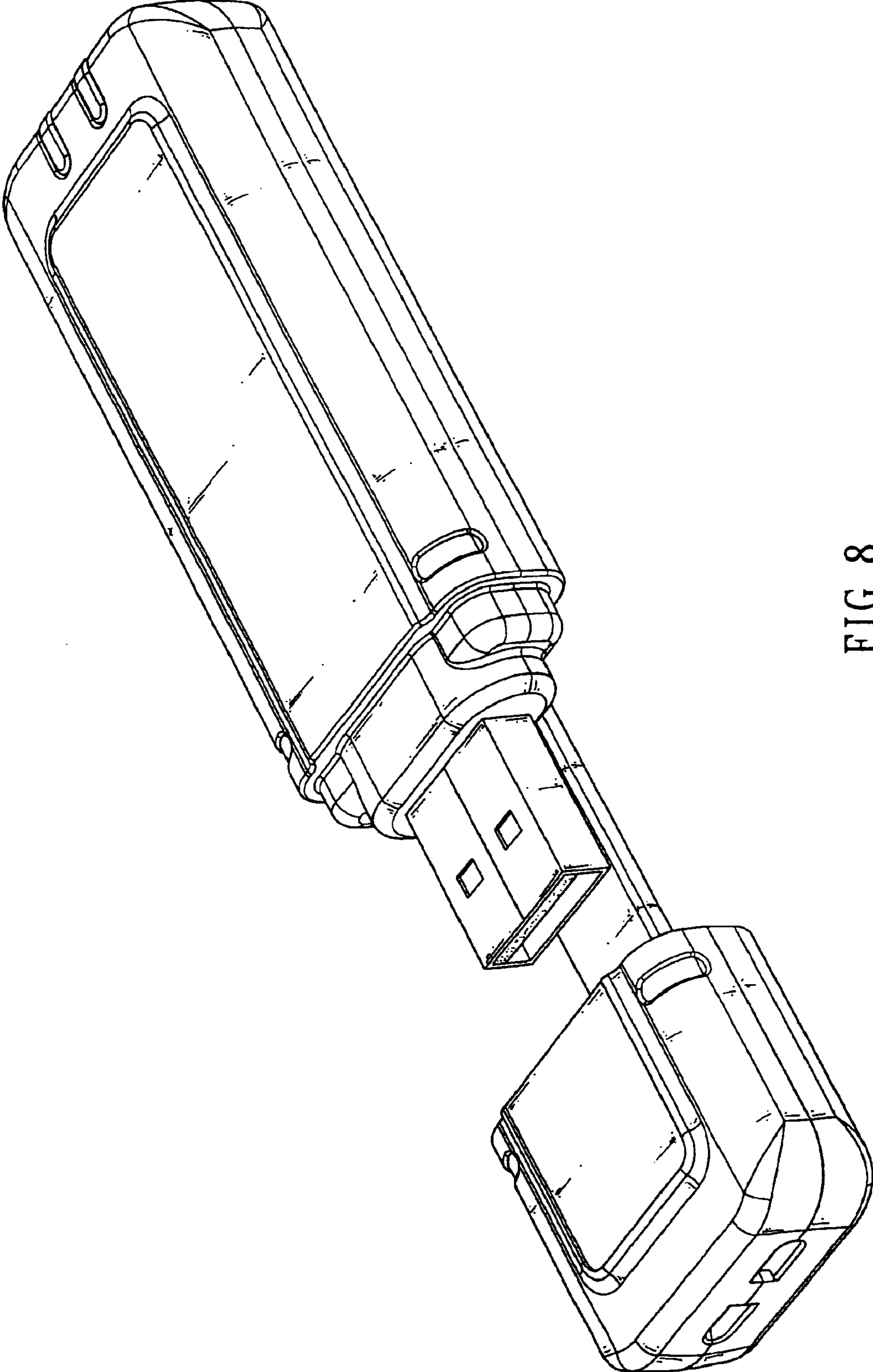


FIG. 8