

US00D511769S

(12) **United States Design Patent**
Hirakawa et al.

(10) **Patent No.: US D511,769 S**

(45) **Date of Patent: ** Nov. 22, 2005**

(54) **HOLDER FOR HEADPHONE**

(75) Inventors: **Maki Hirakawa**, Tokyo (JP); **Michio Deguchi**, Tokyo (JP); **Kanae Fukamatsu**, Tokyo (JP)

(73) Assignee: **Sony Computer Entertainment, Inc.**, Tokyo (JP)

(**) Term: **14 Years**

(21) Appl. No.: **29/216,872**

(22) Filed: **Nov. 10, 2004**

(30) **Foreign Application Priority Data**

May 10, 2004 (JP) D2004-013709

(51) **LOC (8) Cl.** **14-01**

(52) **U.S. Cl.** **D14/223**

(58) **Field of Search** D14/223, 205, D14/206, 217, 156, 168, 192; D3/207-210, 212; D6/466; D26/37; D28/76, 77; D8/99; 362/196; 187/128-130; 379/430; 381/381

(56) **References Cited**

U.S. PATENT DOCUMENTS

3,359,411 A * 12/1967 Schwartz 362/196
D296,736 S * 7/1988 Cole D6/466
D302,074 S * 7/1989 Halasz D3/208
D352,600 S * 11/1994 Steeley D3/208
D357,946 S * 5/1995 Ho D14/223
D431,308 S * 9/2000 Lynch et al. D26/37
D457,513 S * 5/2002 Pirelli et al. D14/223
D464,642 S 10/2002 Kanno

D466,100 S 11/2002 Obata
D481,376 S * 10/2003 Eguchi D14/223
D491,314 S * 6/2004 Cousins D28/77

FOREIGN PATENT DOCUMENTS

JP D11644092 S 1/2003

* cited by examiner

Primary Examiner—Paula A. Greene

(74) *Attorney, Agent, or Firm*—Rader, Fishman & Grauer PLLC

(57) **CLAIM**

The ornamental design for a holder for headphone, as shown and described.

DESCRIPTION

FIG. 1 is a perspective view of a holder for headphone showing our new design;

FIG. 2 is a front elevational view thereof, showing line VIII—VIII;

FIG. 3 is a rear elevational view thereof;

FIG. 4 is a left side elevational view thereof;

FIG. 5 is a right side elevational view thereof;

FIG. 6 is a top plan view thereof, a bottom plan view thereof being a mirror image;

FIG. 7 is a reduced perspective view thereof, showing a using condition; and,

FIG. 8 is a reference cross sectional view thereof, taken along the line VIII—VIII shown in FIG. 2.

The broken lines showing of the environment are for illustrative purposes only and form no part of the claimed design.

1 Claim, 5 Drawing Sheets

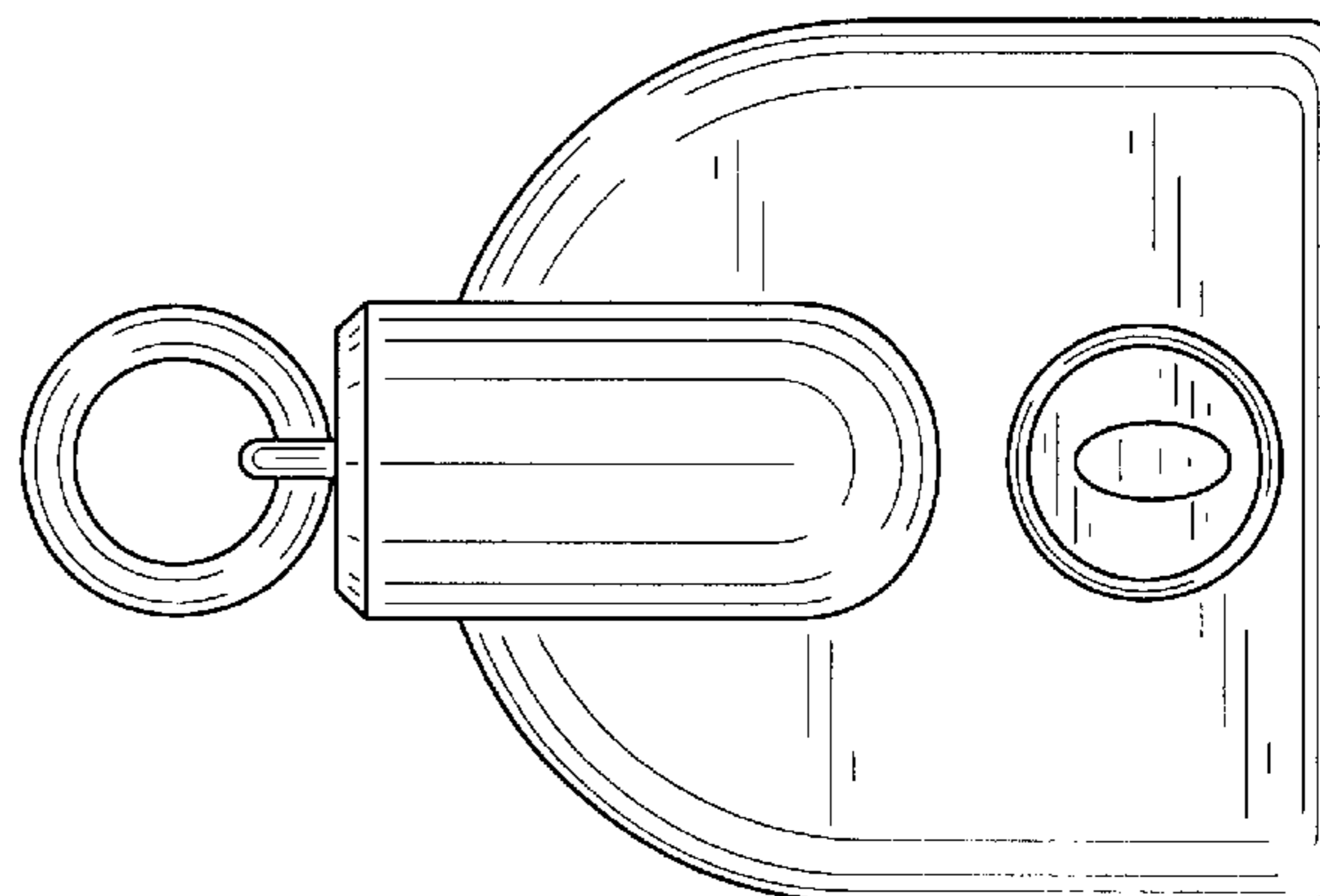
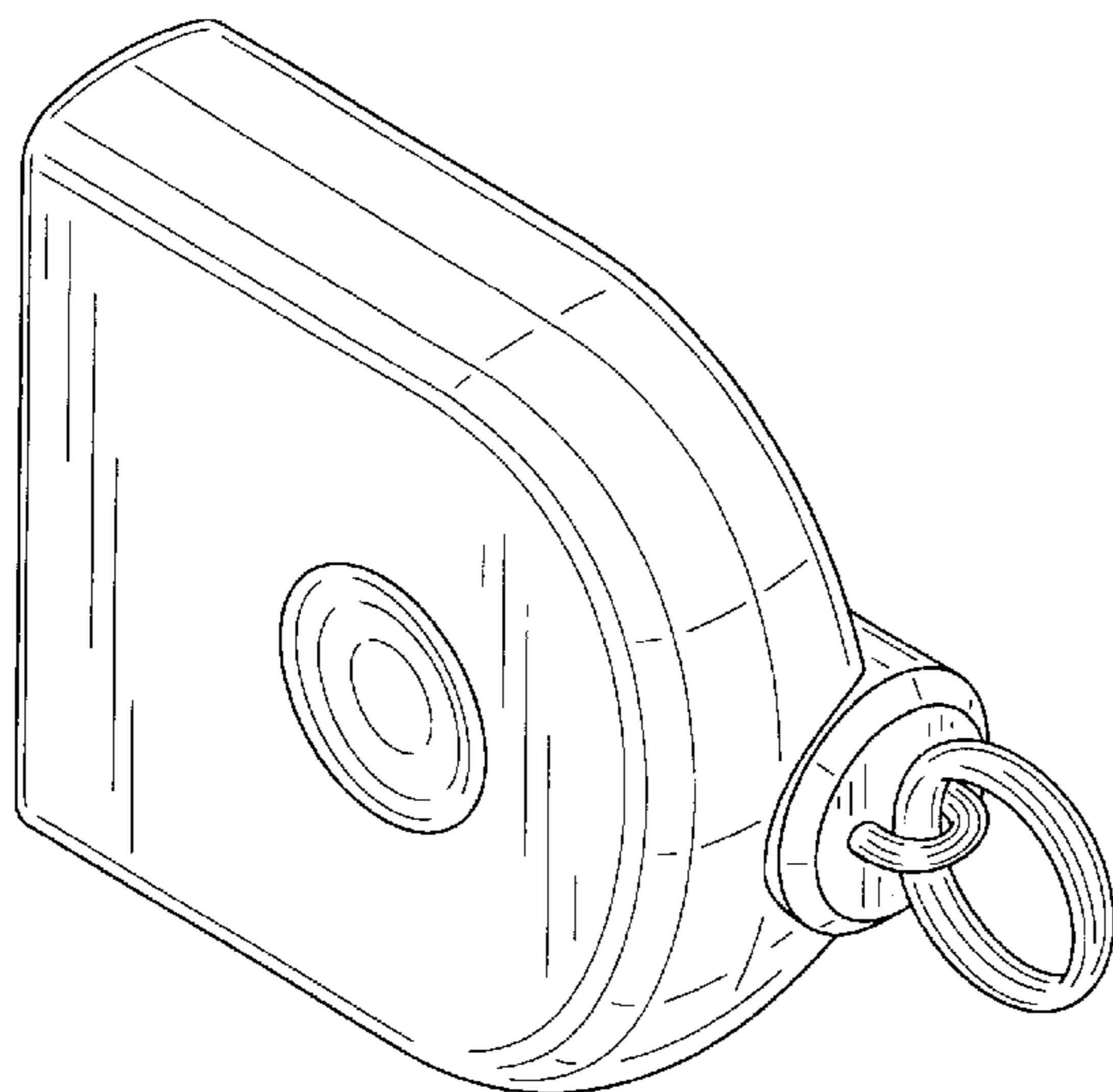


FIG. 1

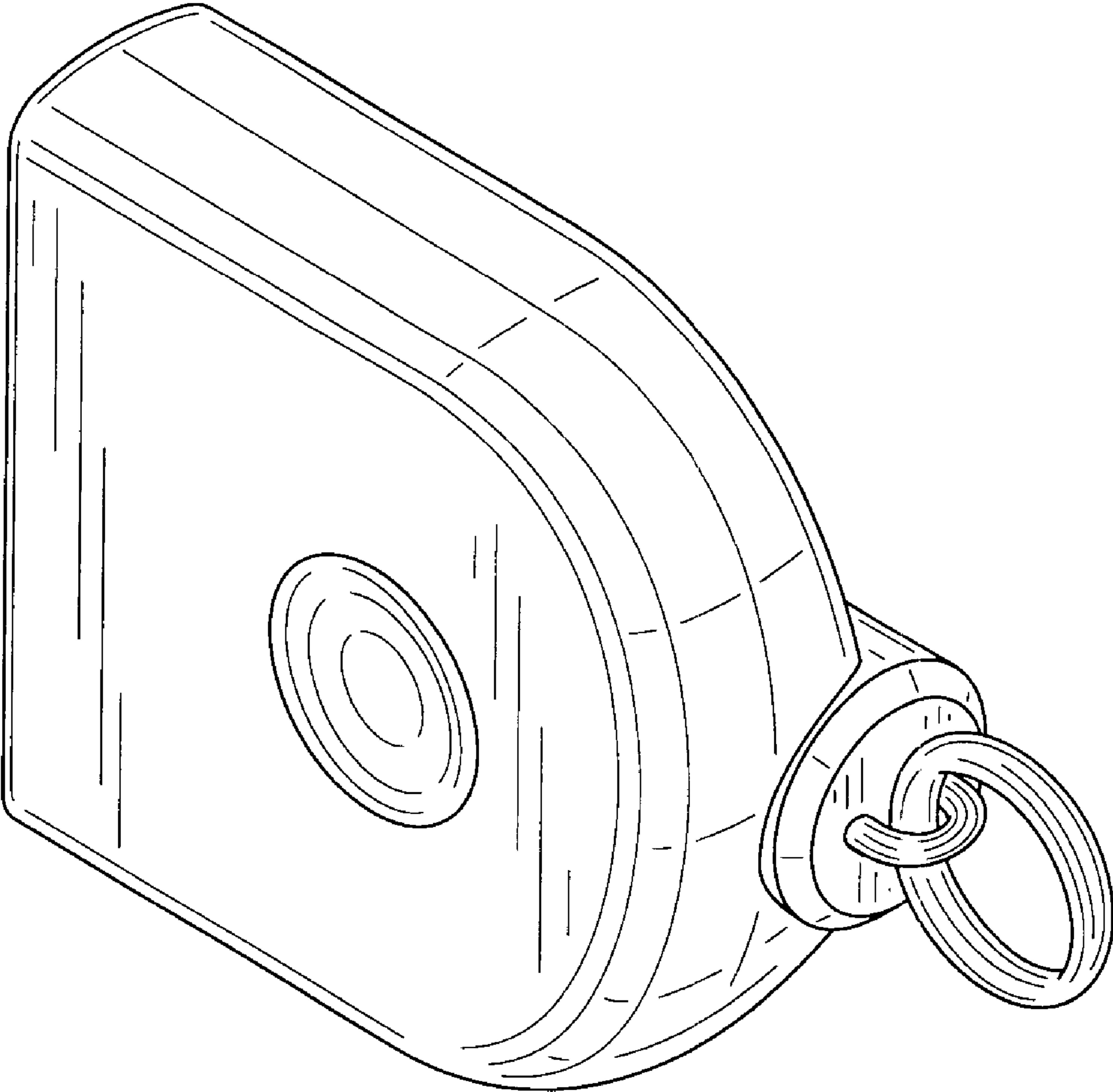


FIG. 2

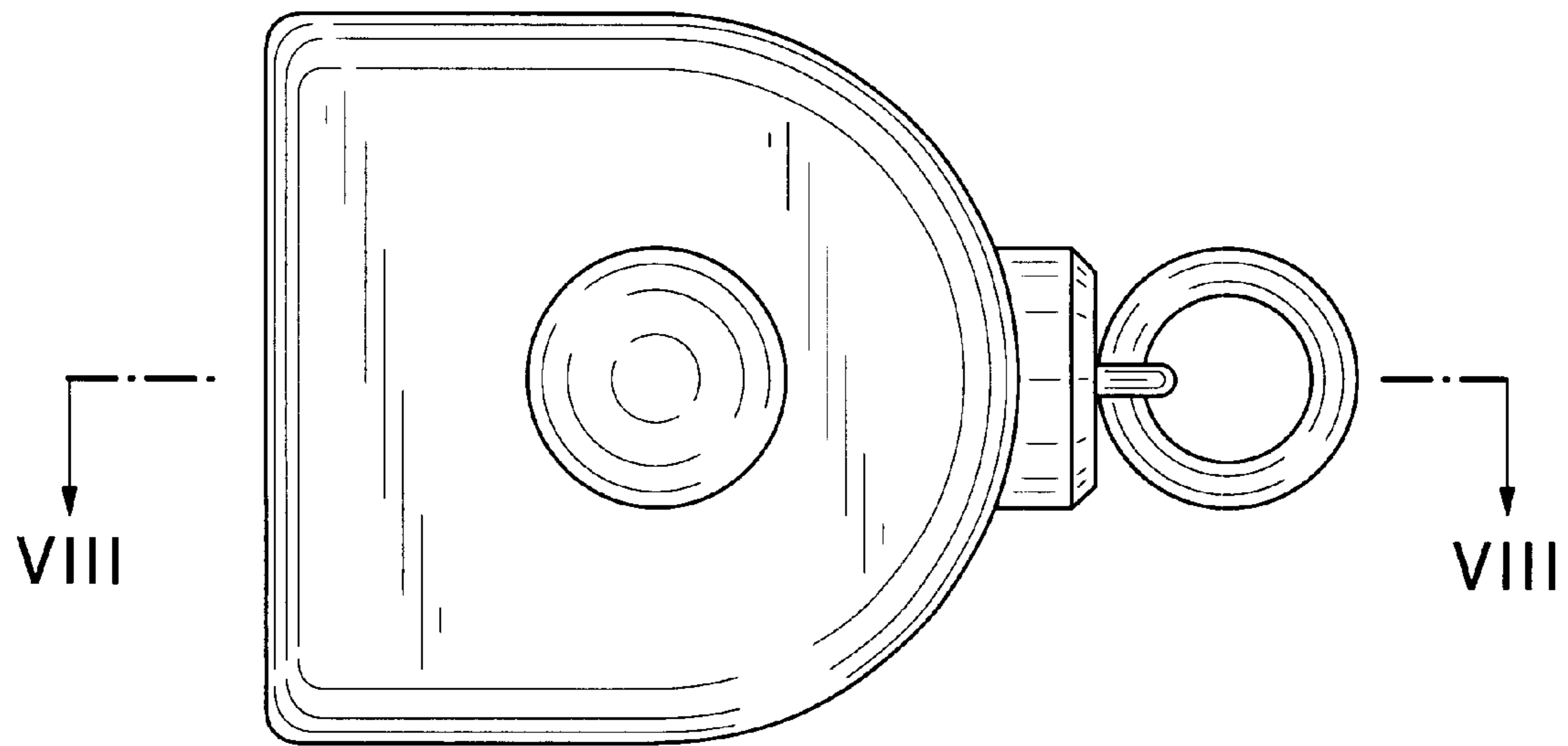


FIG. 3

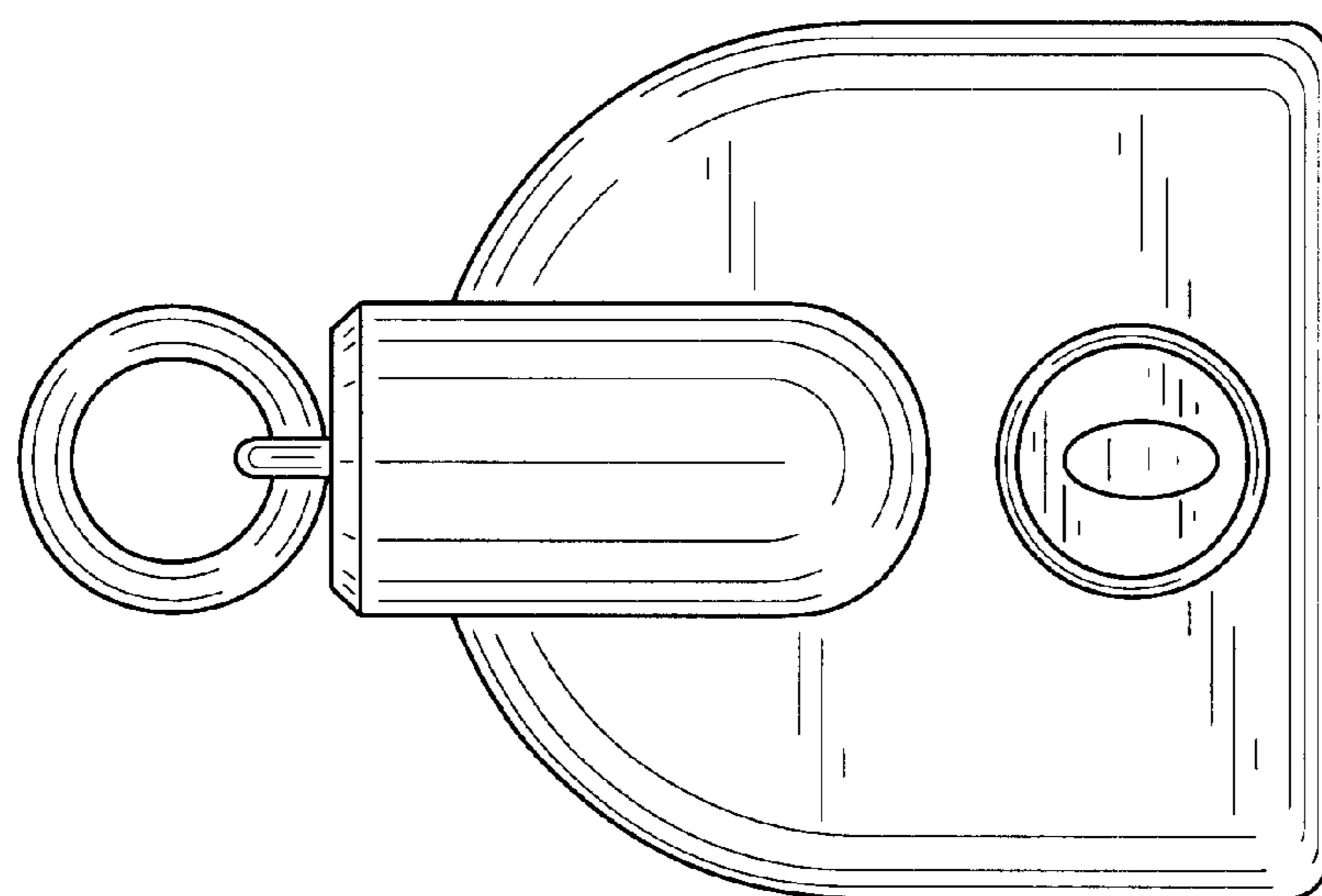


FIG. 4

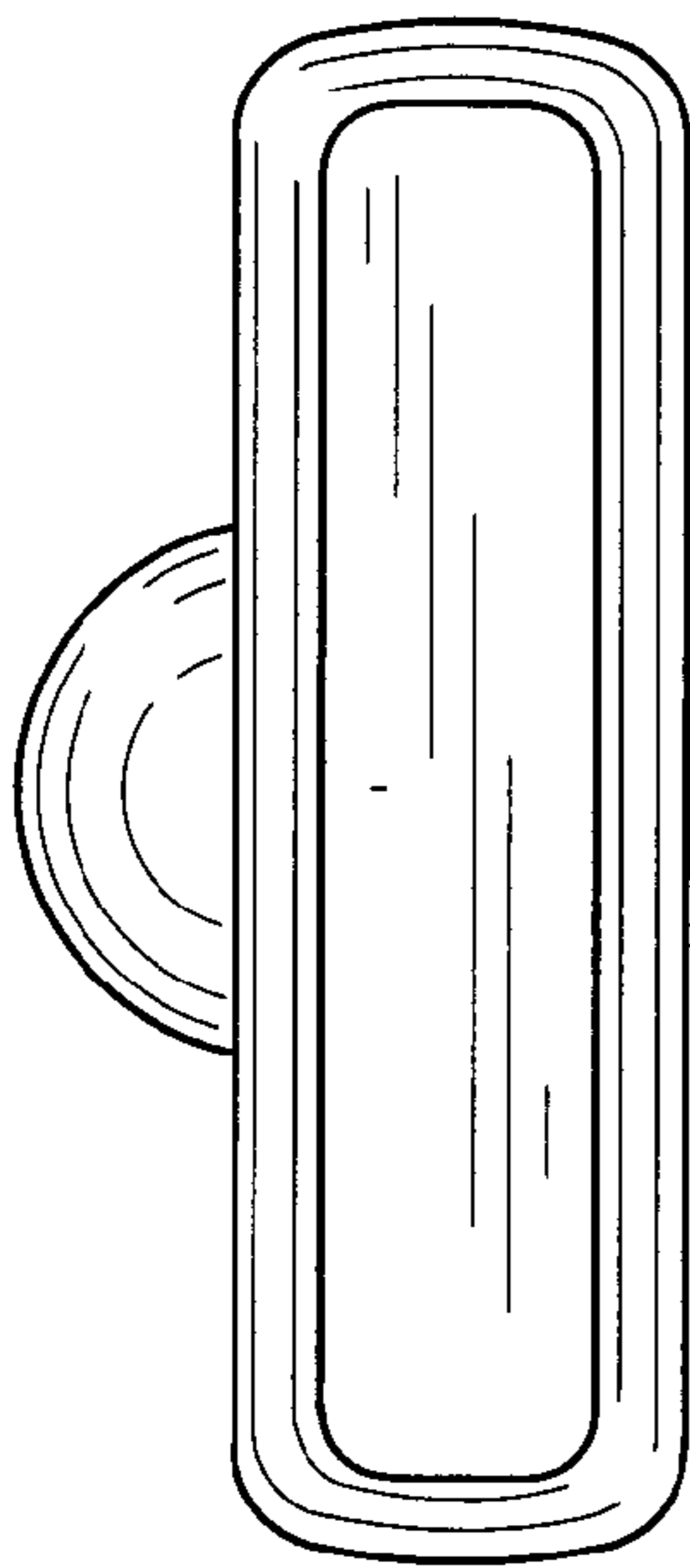


FIG. 5

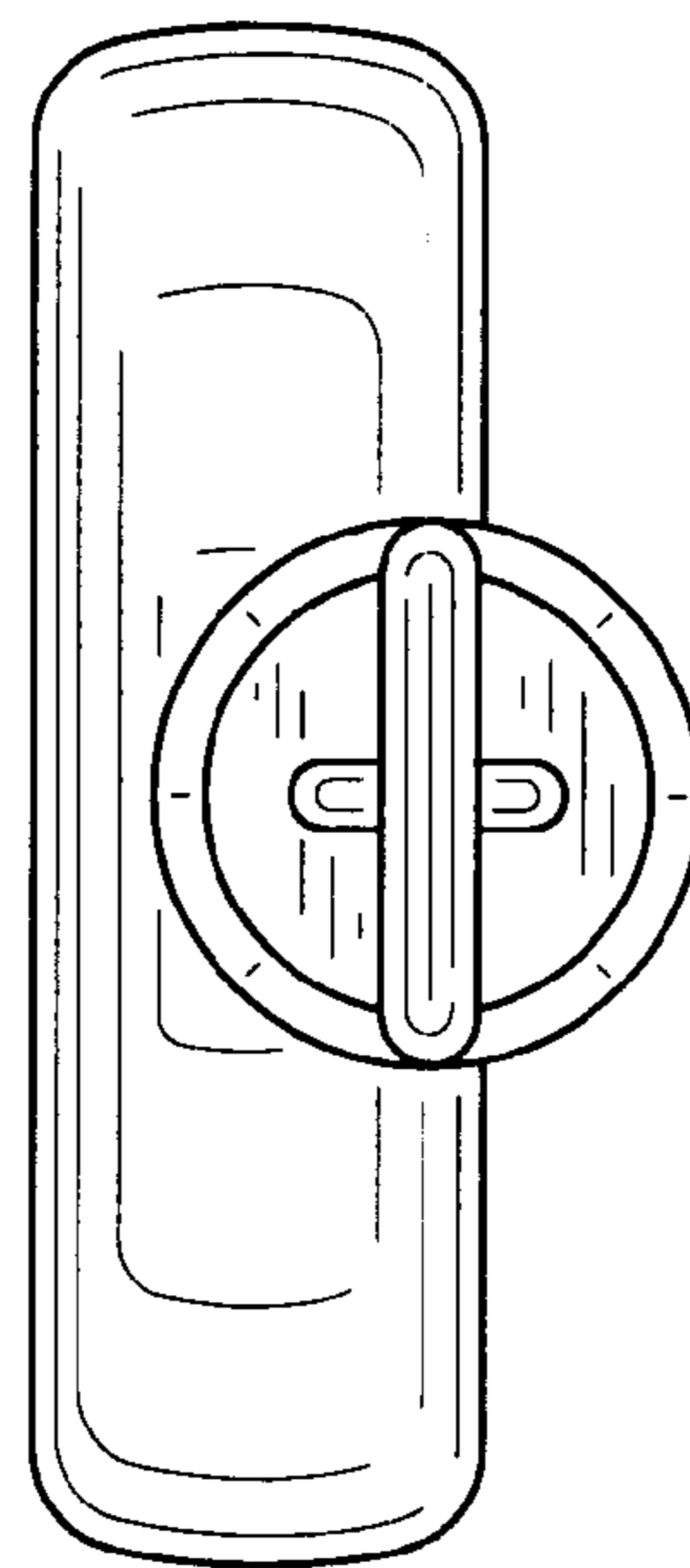
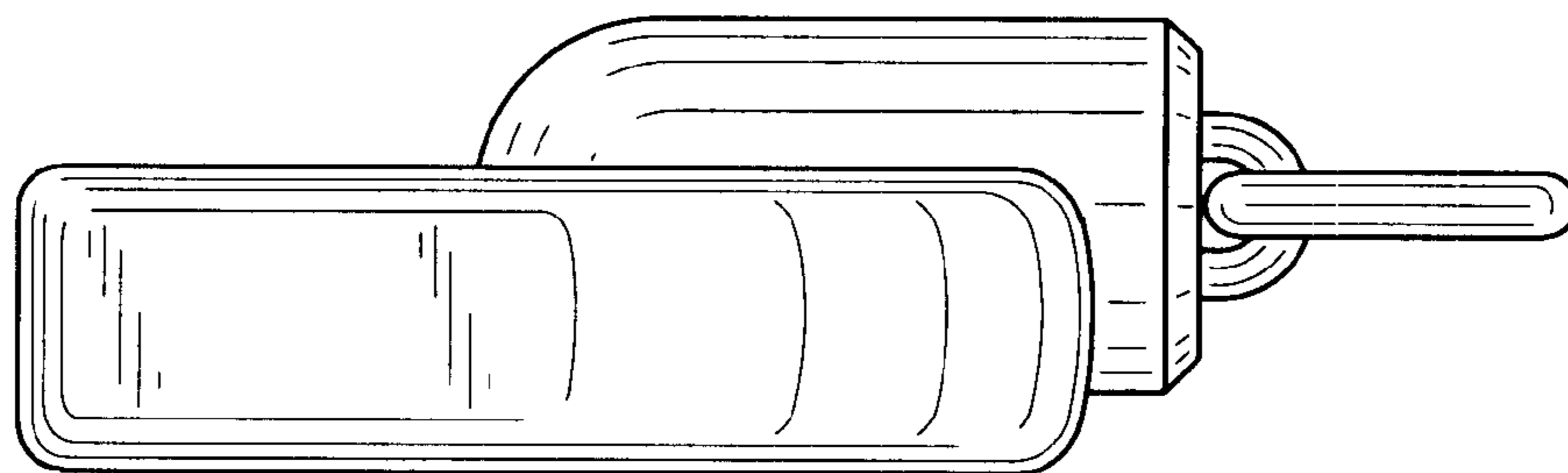


FIG. 6



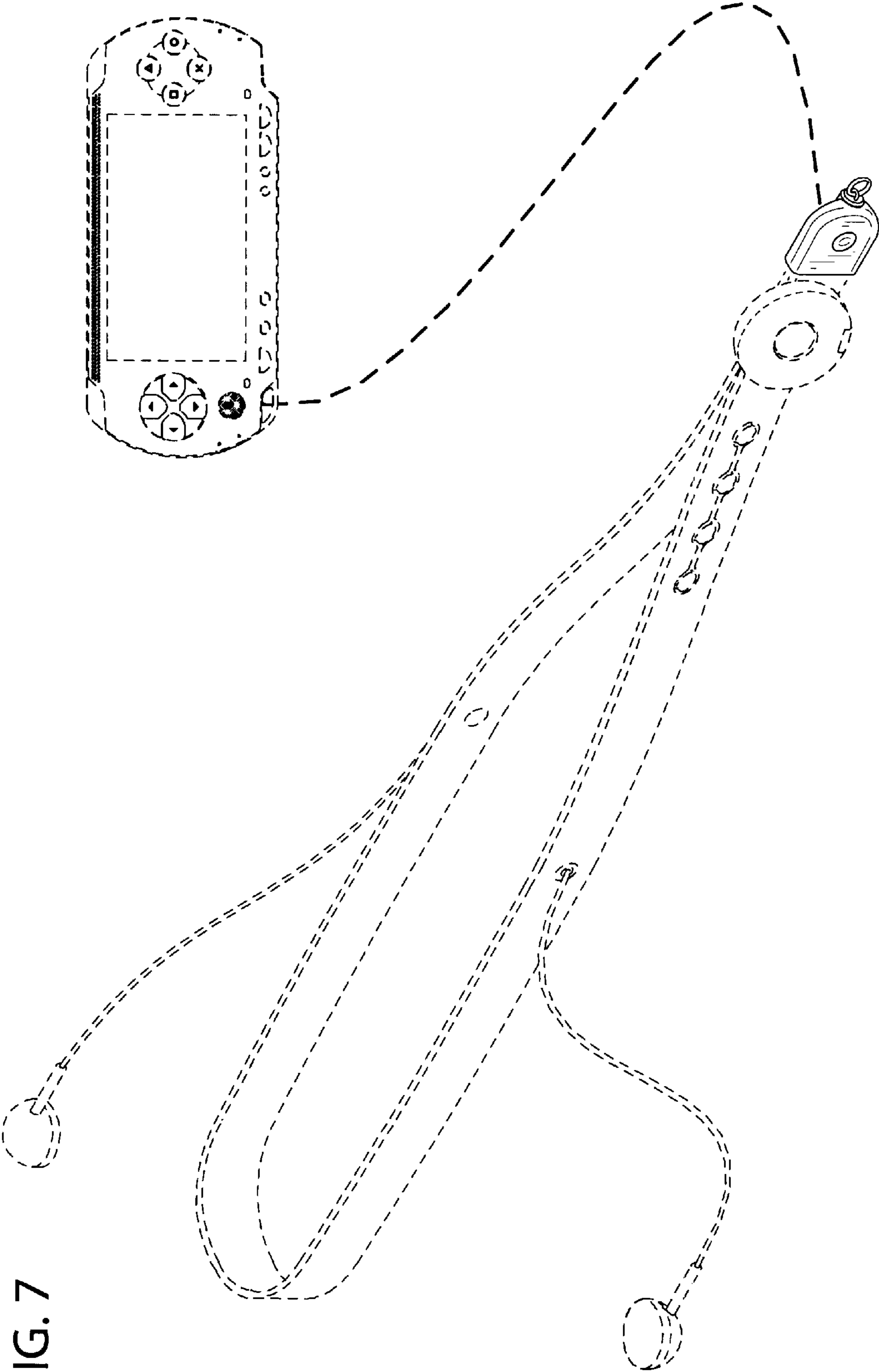


FIG. 7

FIG. 8

