

US00D511768S

(12) **United States Design Patent**  
Naito et al.

(10) **Patent No.:** **US D511,768 S**

(45) **Date of Patent:** **\*\* Nov. 22, 2005**

(54) **TRANSMITTING AND RECEIVING EQUIPMENT**

(75) Inventors: **Gakuji Naito, Yao (JP); Shintaro Sagara, Yao (JP)**

(73) Assignee: **Hosiden Corporation, Osaka (JP)**

(\*\*) Term: **14 Years**

(21) Appl. No.: **29/212,697**

(22) Filed: **Sep. 7, 2004**

(30) **Foreign Application Priority Data**

Mar. 17, 2004 (JP) ..... D 2004-008043

(51) **LOC (8) Cl.** ..... **14-01**

(52) **U.S. Cl.** ..... **D14/223; D14/205**

(58) **Field of Search** ..... D14/188, 192, D14/205, 206, 223, 225, 228; 181/129-130, 223; 379/130, 430, 433, 431, 432; 381/381, 370, 376, 377, 378, 379, 380; D24/174

(56) **References Cited**

**U.S. PATENT DOCUMENTS**

- D391,576 S \* 3/1998 Mullin et al. .... D14/223
- D427,994 S \* 7/2000 Pirelli ..... D14/223
- D457,513 S \* 5/2002 Pirelli et al. .... D14/223
- D463,791 S \* 10/2002 Nagai et al. .... D14/223
- D471,889 S \* 3/2003 Rath et al. .... D14/205
- D479,834 S \* 9/2003 Salazar et al. .... D14/205

- D481,709 S \* 11/2003 Solderits ..... D14/228
- D485,549 S \* 1/2004 Ma et al. .... D14/223
- D494,568 S \* 8/2004 Pan ..... D14/223
- D494,570 S \* 8/2004 Ma ..... D14/223
- D497,613 S \* 10/2004 Gwee ..... D14/223
- D502,171 S \* 2/2005 Tang et al. .... D14/223

\* cited by examiner

*Primary Examiner*—Paula A. Greene

(74) *Attorney, Agent, or Firm*—Akin Gump Strauss Hauer & Feld, LLP

(57) **CLAIM**

The ornamental design for a transmitting and receiving equipment, as shown and described.

**DESCRIPTION**

FIG. 1 is a perspective view (1) of a transmitting and receiving equipment in accordance with our new design;  
 FIG. 2 is a perspective view (2) a transmitting and receiving equipment in accordance with our new design;  
 FIG. 3 is a front view thereof;  
 FIG. 4 is a rear view thereof, the rear is symmetrical with the front view.  
 FIG. 5 is a plan view thereof;  
 FIG. 6 is a bottom view of thereof;  
 FIG. 7 is a left side view thereof; and,  
 FIG. 8 is a right side view thereof.

The broken lines in all views are for illustrative purposes only and forms no part of the claimed design.

**1 Claim, 4 Drawing Sheets**

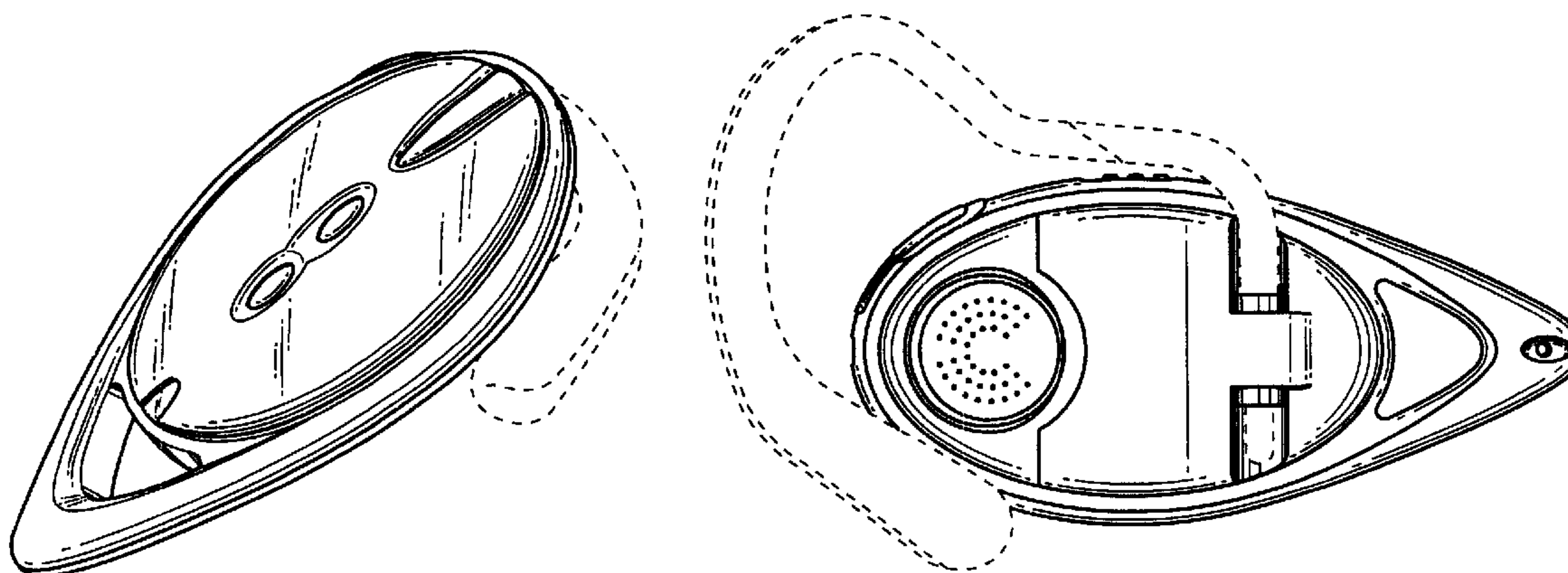


Fig. 1

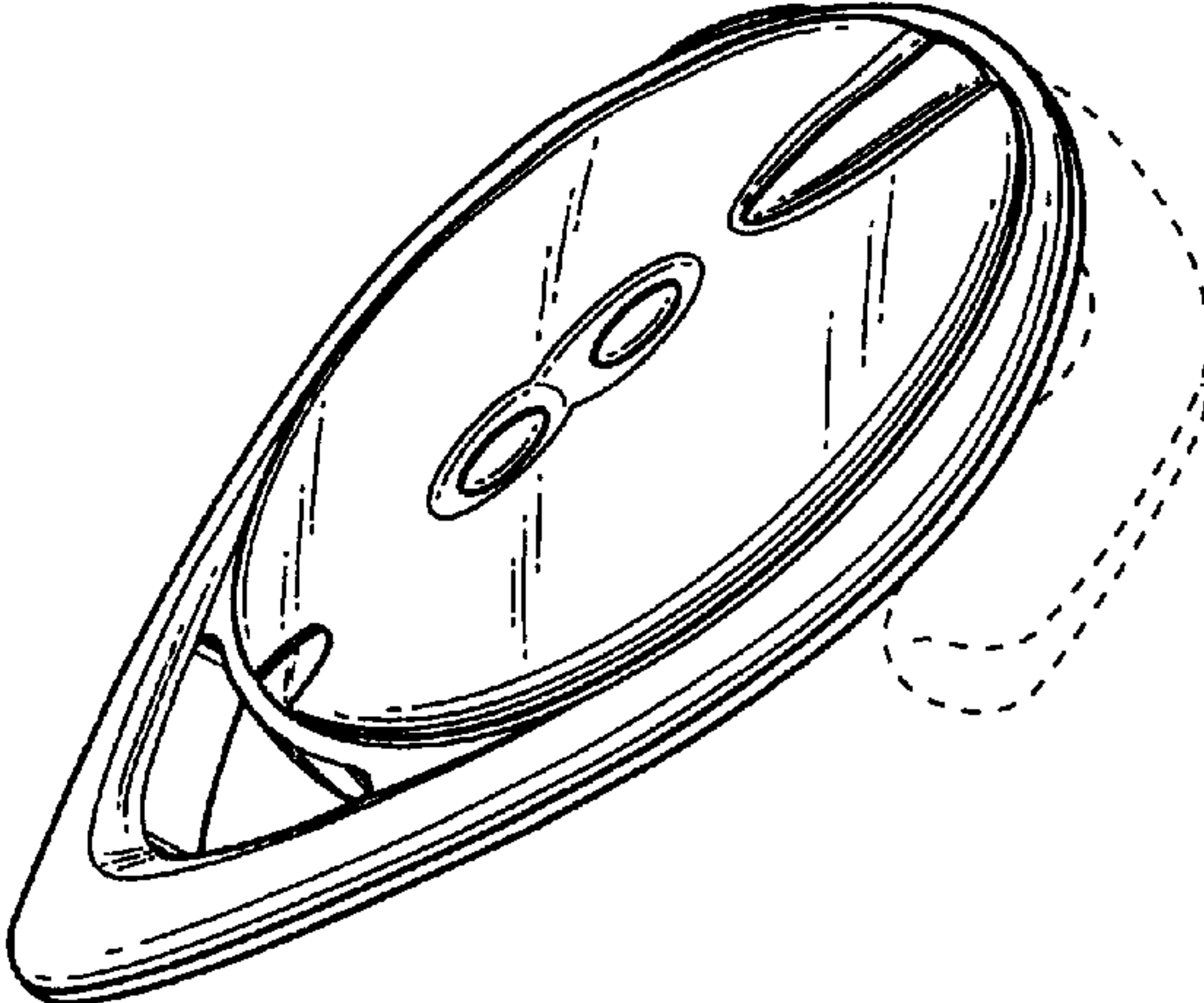


Fig. 2

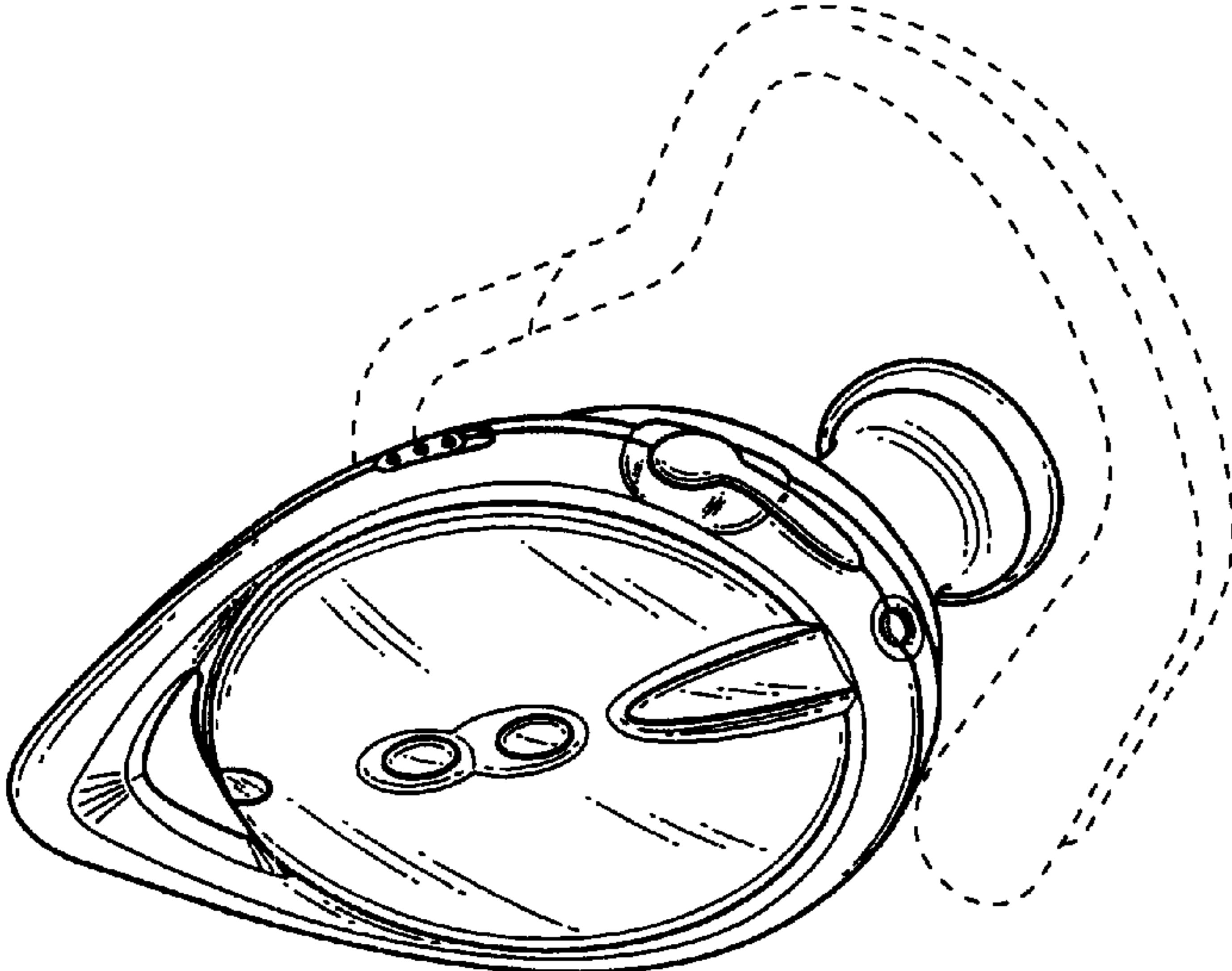


Fig. 3

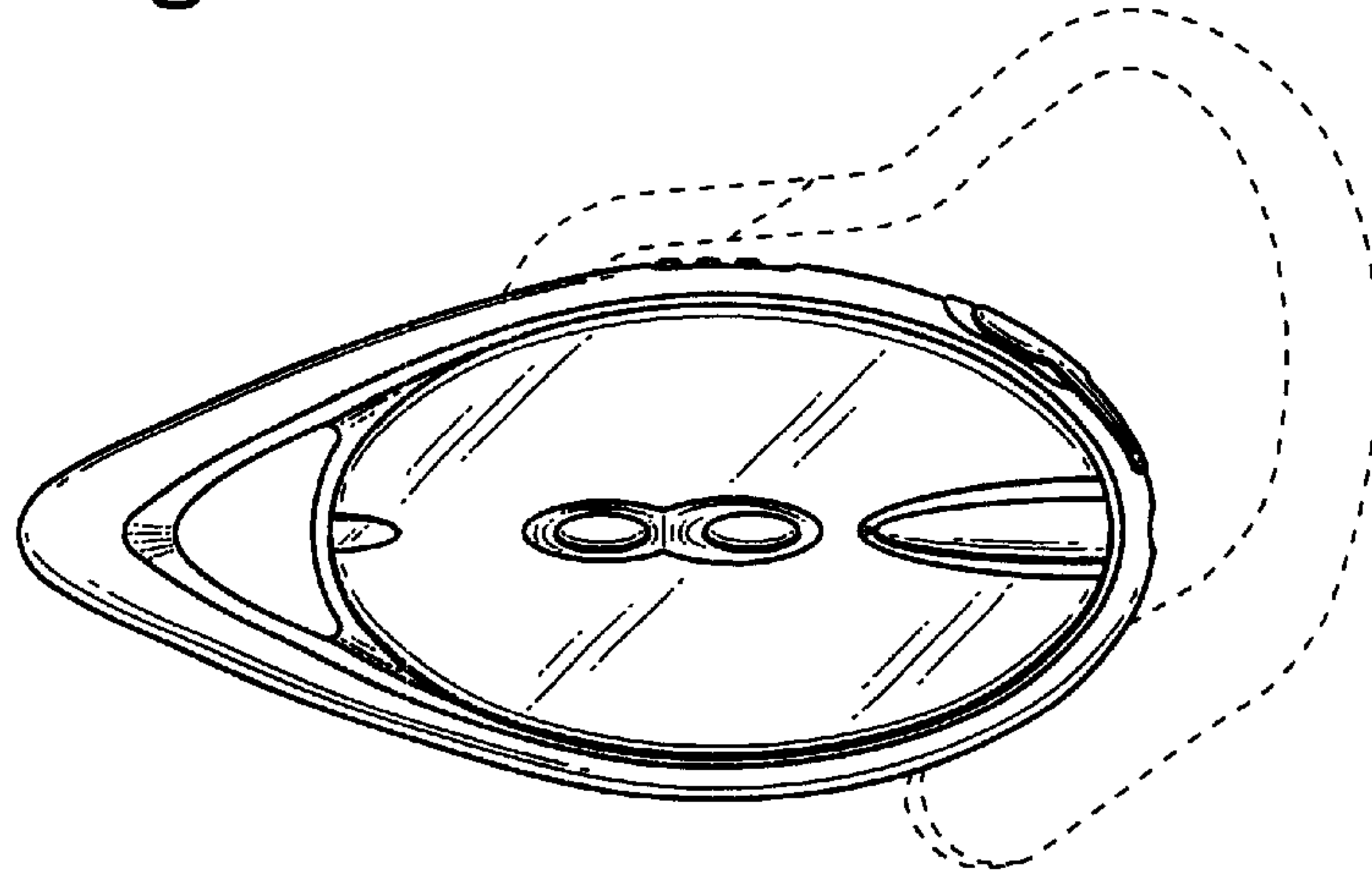


Fig. 4

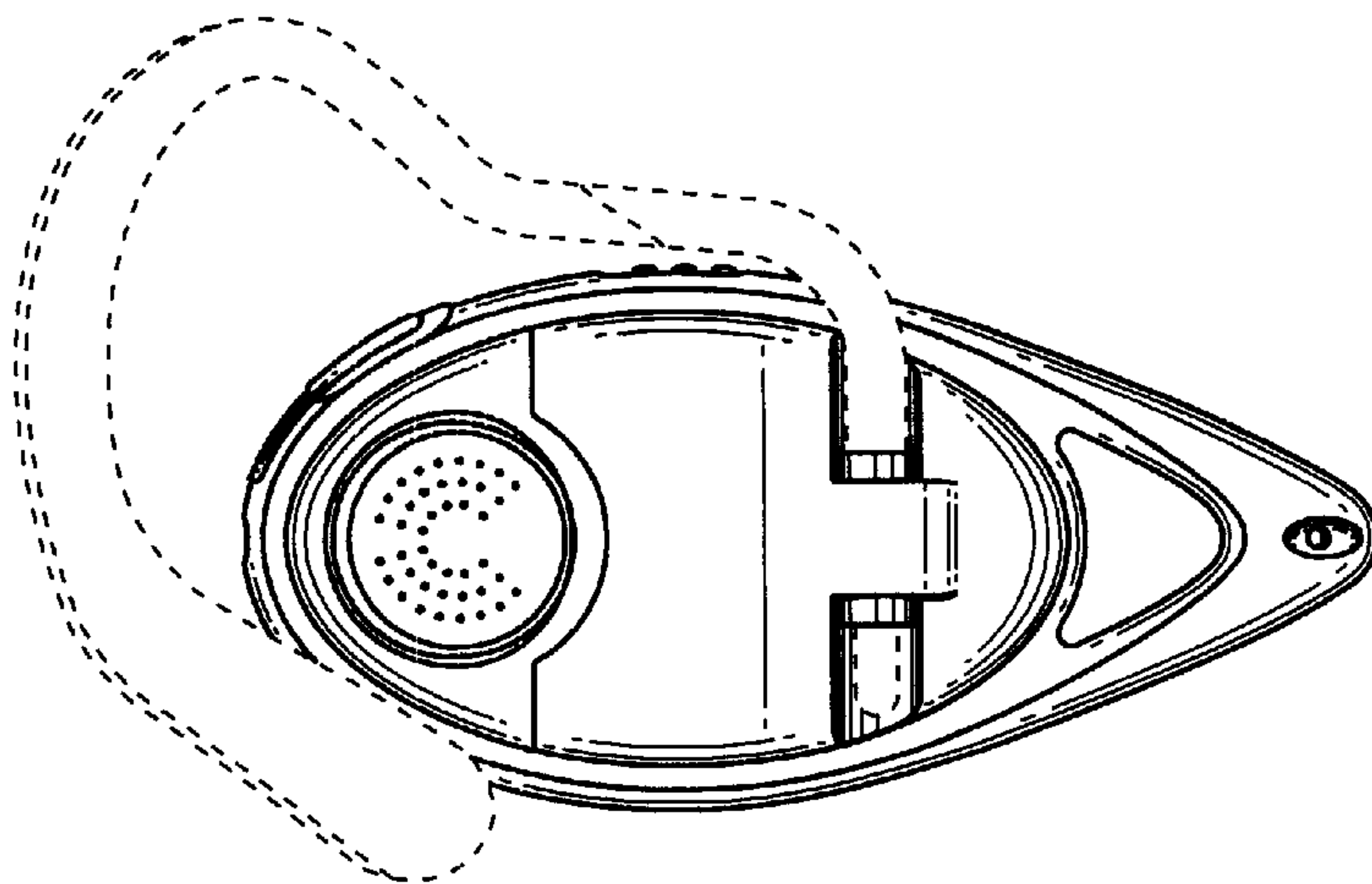


Fig. 5

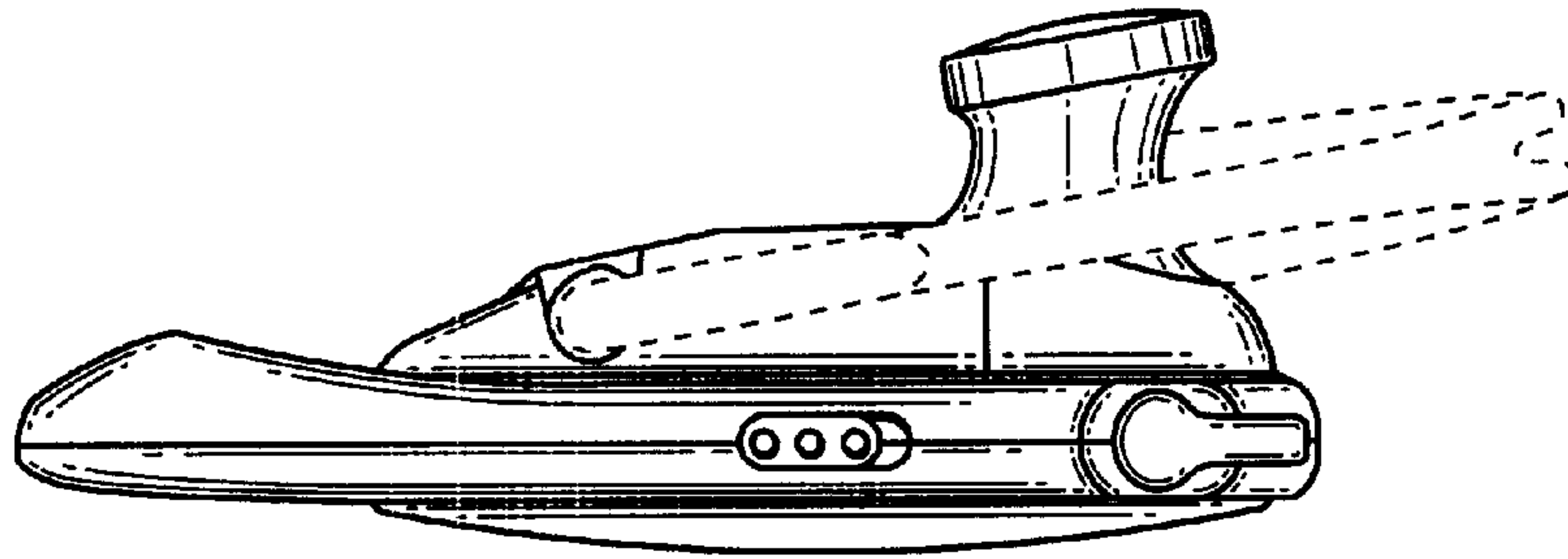


Fig. 6

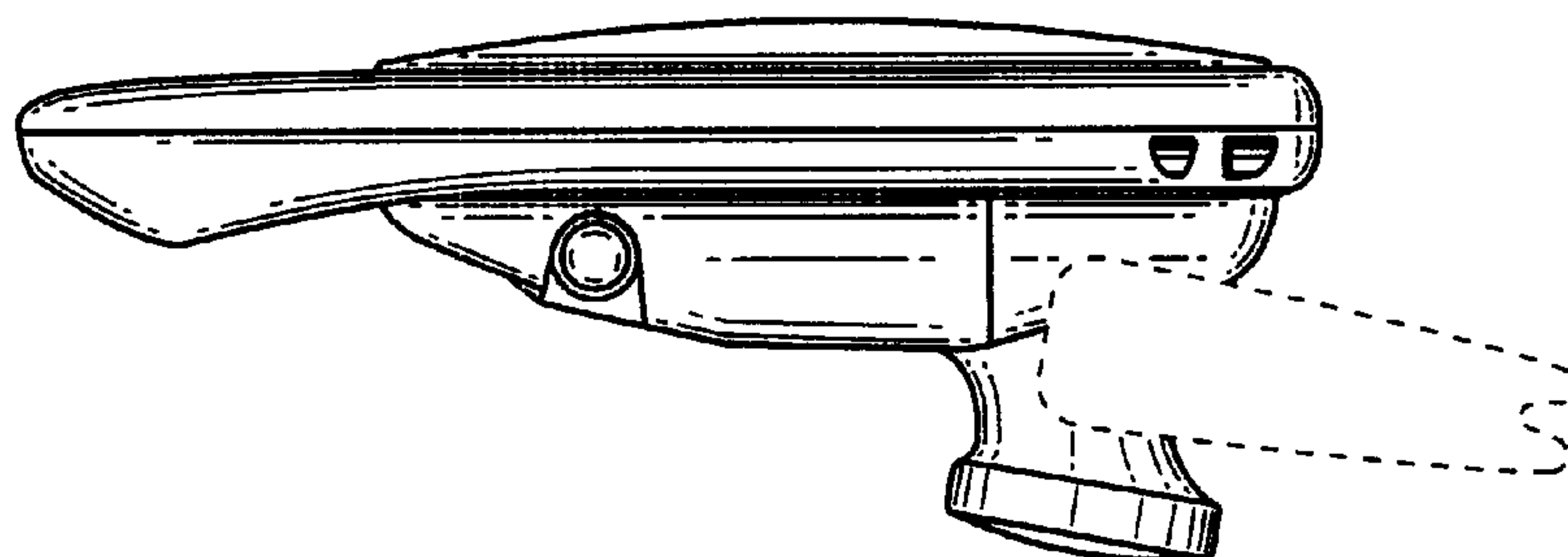


Fig. 7

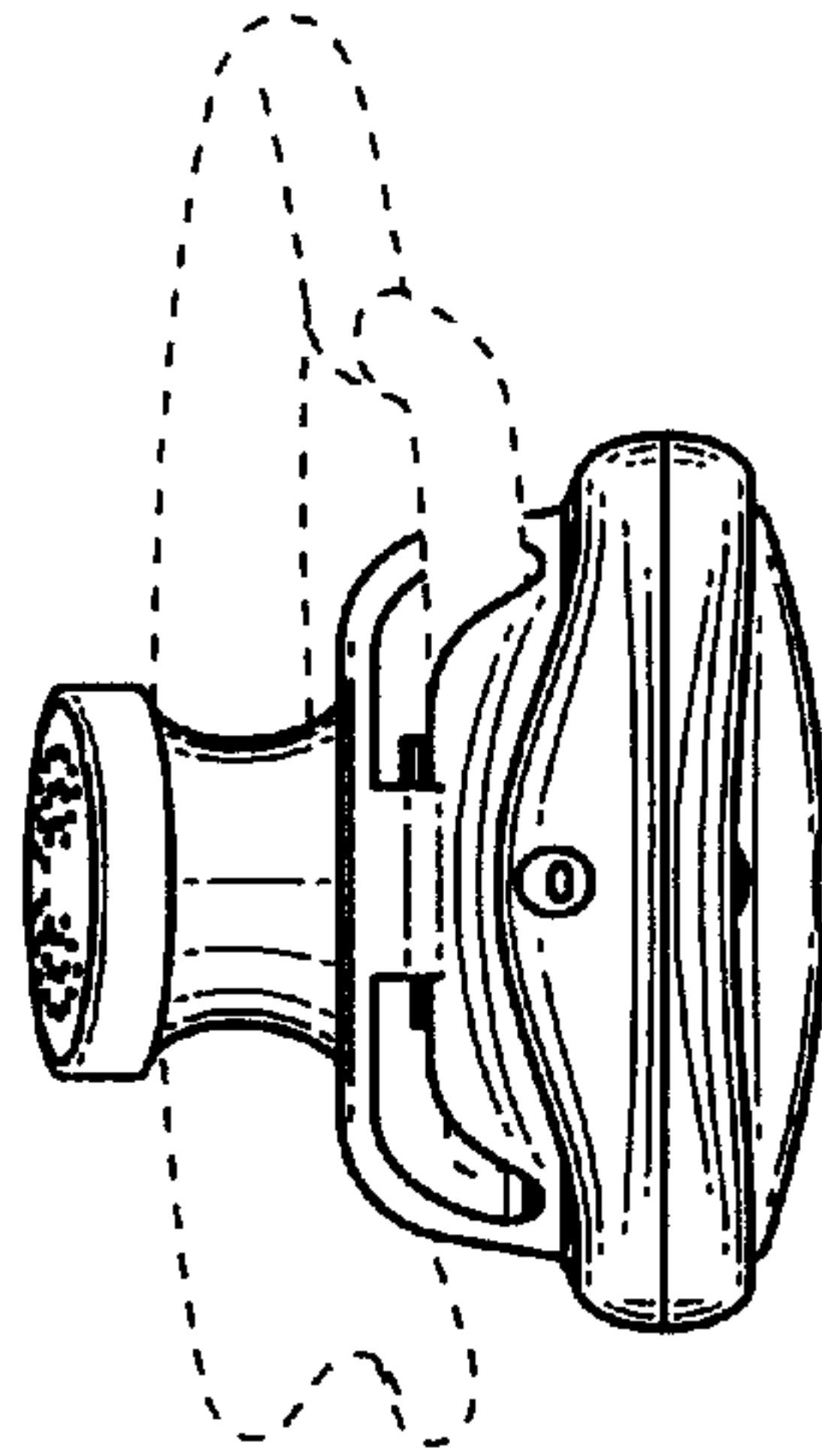


Fig. 8

