



US00D511761S

(12) **United States Design Patent** (10) **Patent No.:** **US D511,761 S**
Robinson et al. (45) **Date of Patent:** **** Nov. 22, 2005**

(54) **E-MAIL TELEPHONE**
(75) **Inventors:** **Robert J. Robinson**, Jamison, PA (US);
Timothy C. Repp, Pleasant Valley, CT (US)
(73) **Assignee:** **Royal Consumer Information Products, Inc.**, Somerset, NJ (US)
(**) **Term:** **14 Years**

D427,985 S * 7/2000 Takayama et al. D14/151
6,121,958 A * 9/2000 Clark et al. 345/168
6,243,460 B1 6/2001 Bhagavatula 379/368
D452,511 S * 12/2001 Benedetto et al. D14/467
D457,152 S * 5/2002 Nam D14/151
6,504,925 B1 1/2003 Schlachman et al. 379/354
D472,540 S * 4/2003 Katou D14/151
D499,078 S * 11/2004 Abe et al. D14/151
D499,079 S * 11/2004 Abe et al. D14/151
D499,713 S * 12/2004 Shibata et al. D14/151
2004/0234071 A1 * 11/2004 Bae et al. 379/419

(21) **Appl. No.:** **29/209,826**
(22) **Filed:** **Jul. 22, 2004**
(51) **LOC (8) Cl.** **14-03**
(52) **U.S. Cl.** **D14/151; D14/329**
(58) **Field of Search** D14/149-151,
D14/147-148, 251-253, 144, 143, 130,
329, 330, 434, 140, 142; 379/419, 428.01-428.04,
440; D13/107, 108; D21/517

FOREIGN PATENT DOCUMENTS

WO DM/047510 * 4/1999
WO DM/052738 * 7/2000
WO DM/056853 * 4/2001

* cited by examiner

Primary Examiner—Jeffrey Asch
(74) *Attorney, Agent, or Firm*—Roberts & Roberts, LLP

(56) **References Cited**
U.S. PATENT DOCUMENTS

D294,250 S * 2/1988 Watanabe et al. D14/130
4,782,522 A * 11/1988 Kramer et al. 379/368
D299,030 S * 12/1988 Menn D14/329
D312,457 S * 11/1990 Inatomi D14/329
D328,076 S * 7/1992 Hagiwara D14/151
D337,570 S * 7/1993 Bevilacqua et al. D14/329
5,369,700 A * 11/1994 Koura et al. 379/165
D356,791 S * 3/1995 Desbarats D14/130
5,412,417 A * 5/1995 Tozuka 348/14.01
D359,490 S * 6/1995 Arakaki et al. D14/146
D368,895 S * 4/1996 Andre et al. D14/329
5,577,118 A * 11/1996 Sasaki et al. 379/428.03
5,657,378 A * 8/1997 Haddock et al. 379/93.23
D396,451 S * 7/1998 Wicks D14/329
D397,112 S * 8/1998 Locklin et al. D14/151
D398,302 S * 9/1998 Lio D14/130
D402,977 S * 12/1998 Lytel D14/130
D404,393 S * 1/1999 Russmann D14/130
D410,005 S * 5/1999 Landry et al. D14/151
D410,229 S * 5/1999 Chiocchi D14/331
D427,161 S * 6/2000 Oh D14/329

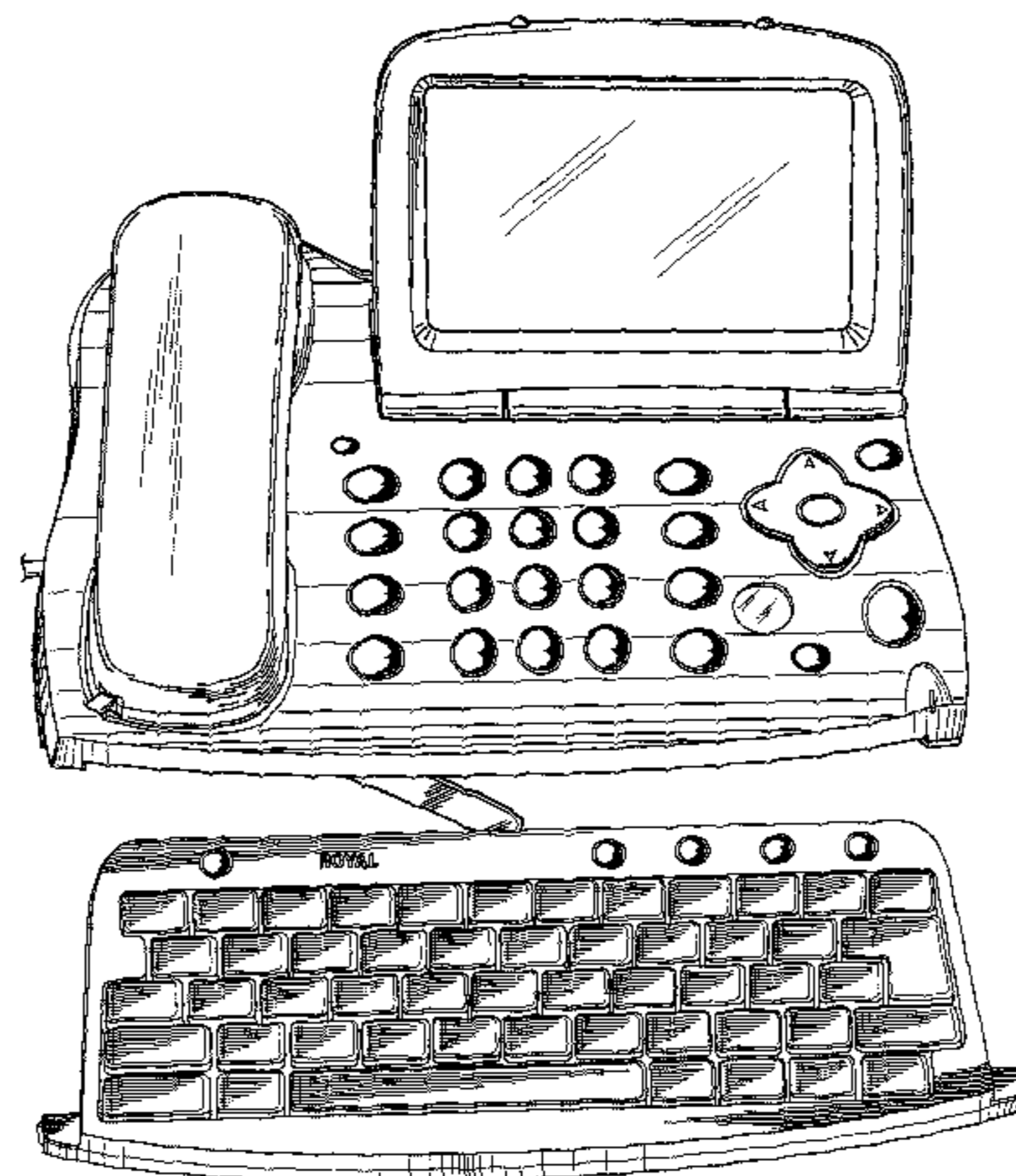
(57) **CLAIM**

The ornamental design for an e-mail telephone, as shown and described.

DESCRIPTION

FIG. 1 is a perspective view an e-mail telephone showing an extendable keyboard in a closed position.
FIG. 2 is a perspective view an e-mail telephone showing an extendable keyboard in an open position.
FIG. 3 is a top side view thereof with the extendable keyboard in a closed position.
FIG. 4 is a bottom side view thereof with the extendable keyboard in a closed position.
FIG. 5 is a left side view thereof with the extendable keyboard in a closed position.
FIG. 6 is a right side view thereof with the extendable keyboard in a closed position.
FIG. 7 is a front side view thereof with the extendable keyboard in a closed position; and,
FIG. 8 is a rear side view thereof.

1 Claim, 6 Drawing Sheets



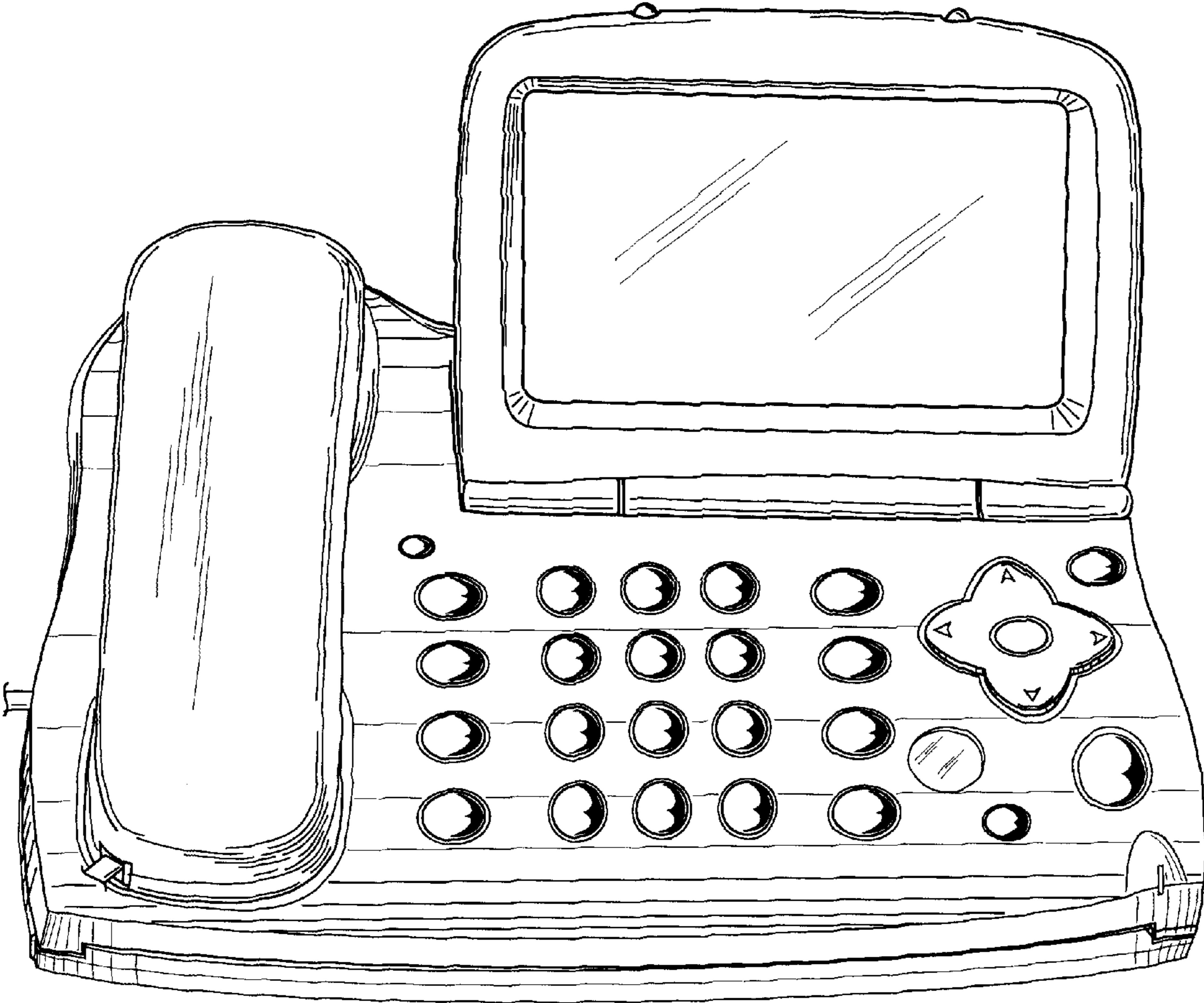


FIG. 1



FIG. 2

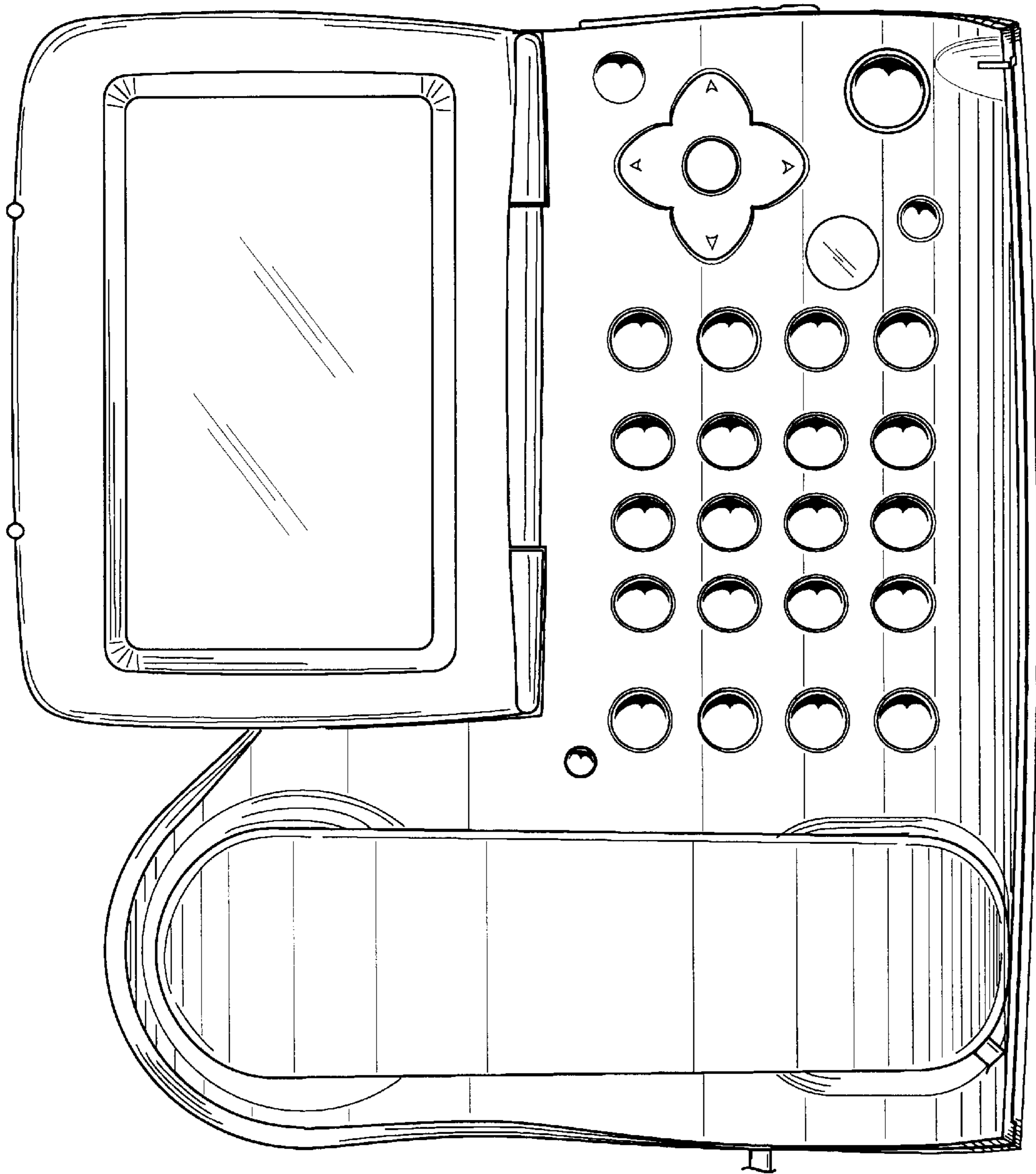


FIG. 3

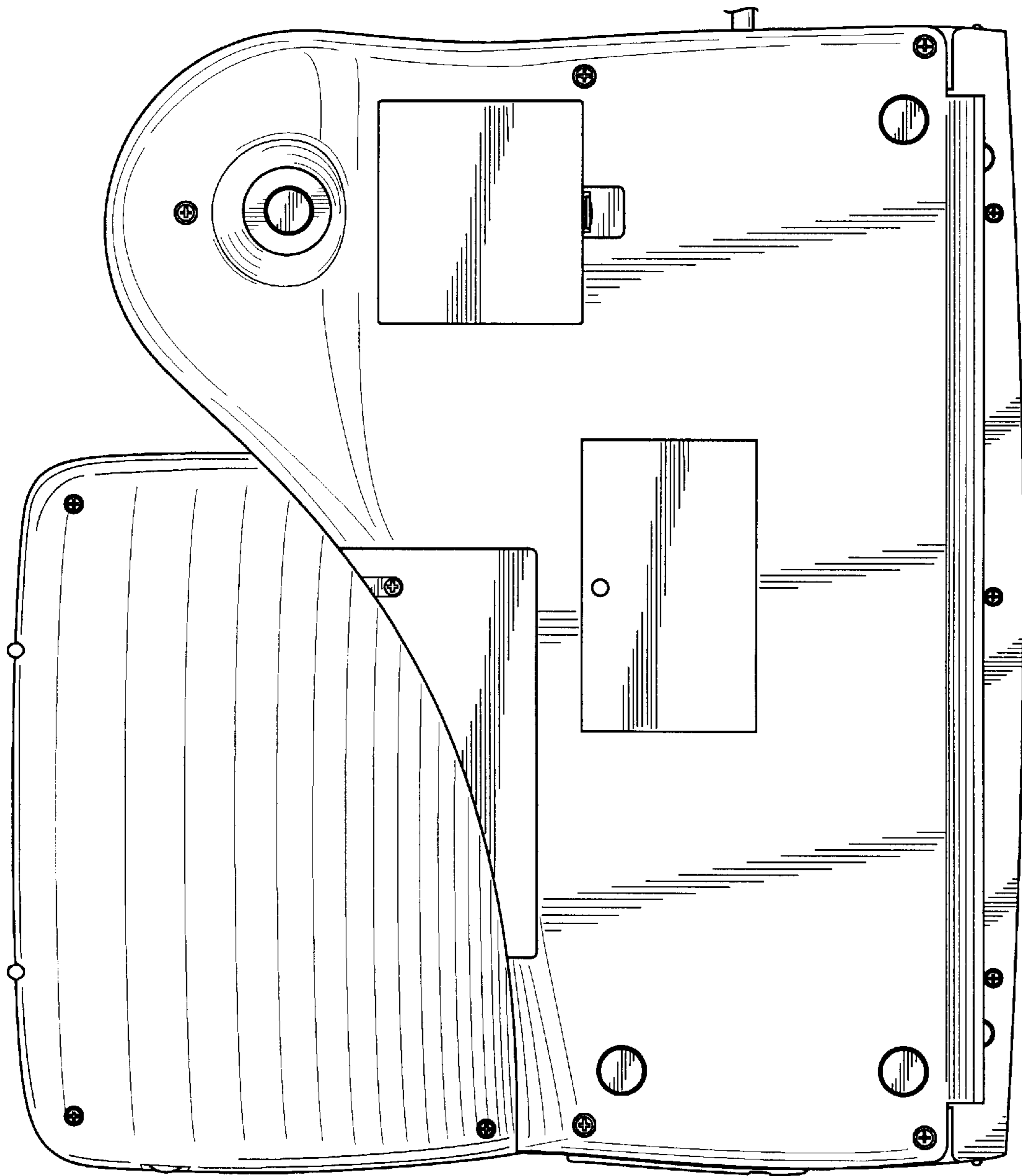


FIG. 4

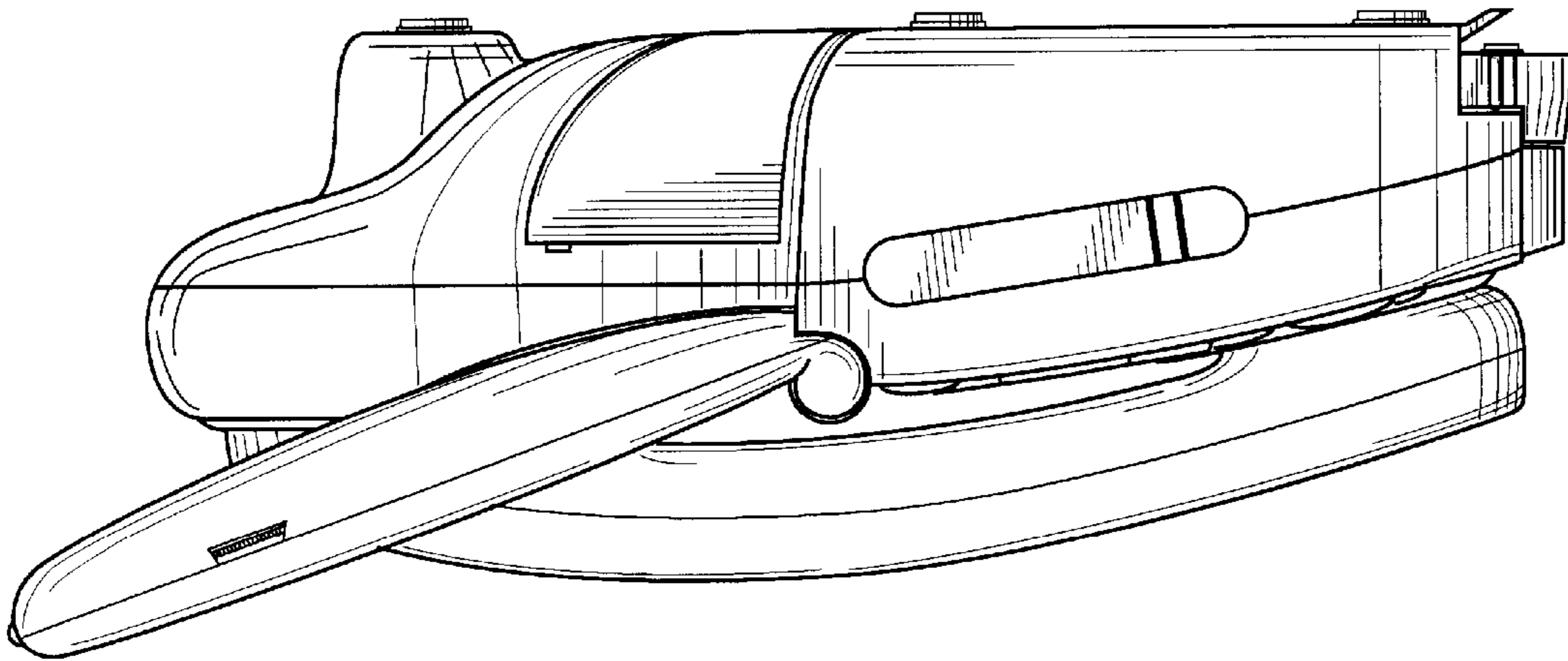


FIG. 6

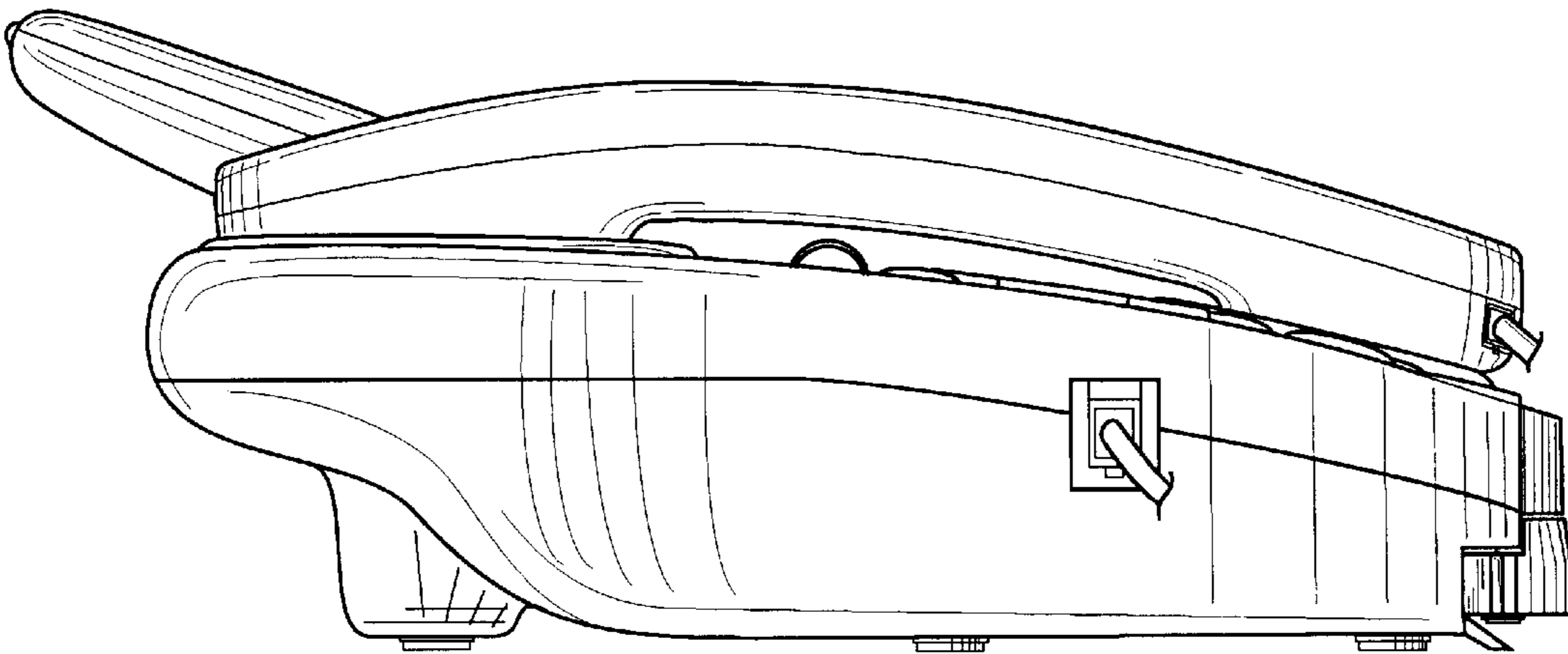


FIG. 5

FIG. 7

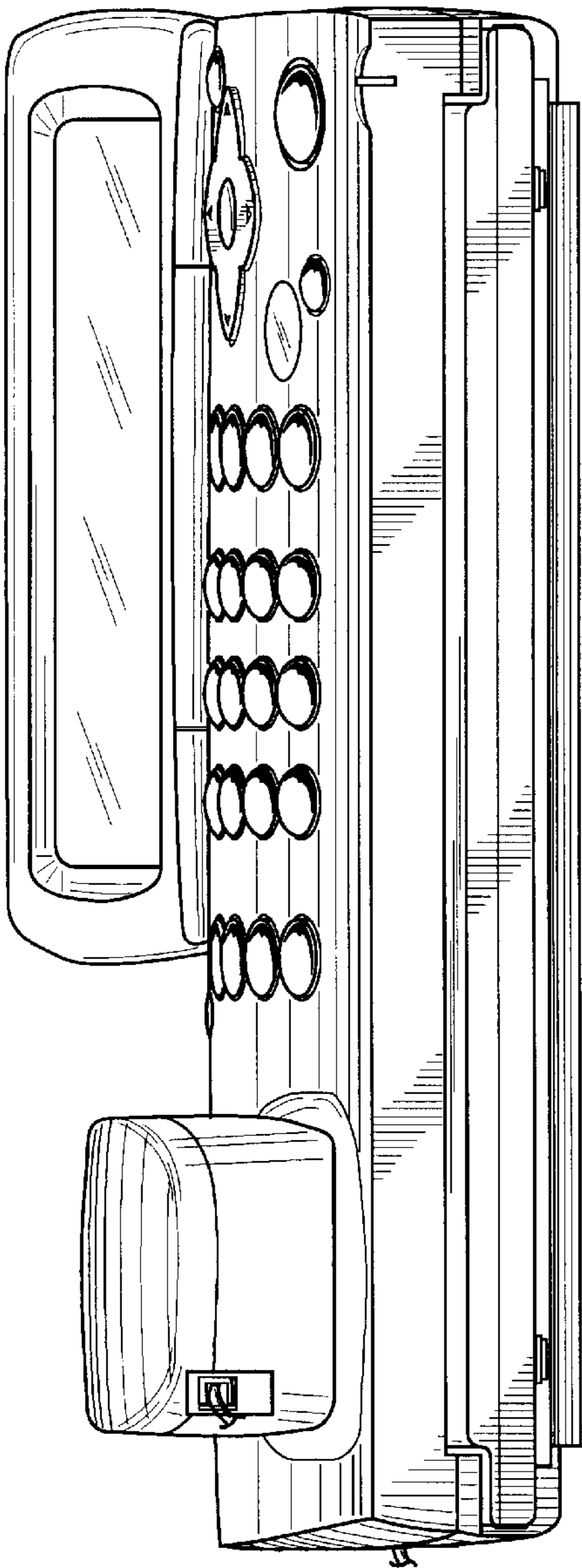


FIG. 8

