



US00D511758S

(12) **United States Design Patent**
Allen

(10) **Patent No.:** **US D511,758 S**

(45) **Date of Patent:** **** Nov. 22, 2005**

(54) **DVD PLAYER**

(75) **Inventor:** **Graham David Allen**, Alderley Edge
(GB)

(73) **Assignee:** **GP Acoustics (UK) Ltd.**, Crawley

(**) **Term:** **14 Years**

(21) **Appl. No.:** **29/204,924**

(22) **Filed:** **May 6, 2004**

(30) **Foreign Application Priority Data**

Dec. 19, 2003 (GB) 3015627

(51) **LOC (8) Cl.** **14-01**

(52) **U.S. Cl.** **D14/136**

(58) **Field of Search** D14/135-136,
D14/156-157, 160-165, 167-168, 192-198,
188, 217, 257, 496; 360/99.02, 99.07; 369/75.11,
75.21, 77.21, 77.11; 720/612, 619, 647,
655; 455/344, 347-351

(56) **References Cited**

U.S. PATENT DOCUMENTS

D368,089 S * 3/1996 Goshima D14/136

D459,709 S * 7/2002 Kojima et al. D14/136
D475,036 S * 5/2003 Tejima D14/168
D483,728 S * 12/2003 Kim D14/136

* cited by examiner

Primary Examiner—Nanda Bondade

(74) *Attorney, Agent, or Firm*—Myers Dawes Andras &
Sherman, LLP

(57) **CLAIM**

I claim the ornamental design for a DVD player, substan-
tially as shown and described.

DESCRIPTION

FIG. 1 is a front view of a DVD player showing my new
design;

FIG. 2 is top view thereof;

FIG. 3 is a rear view thereof;

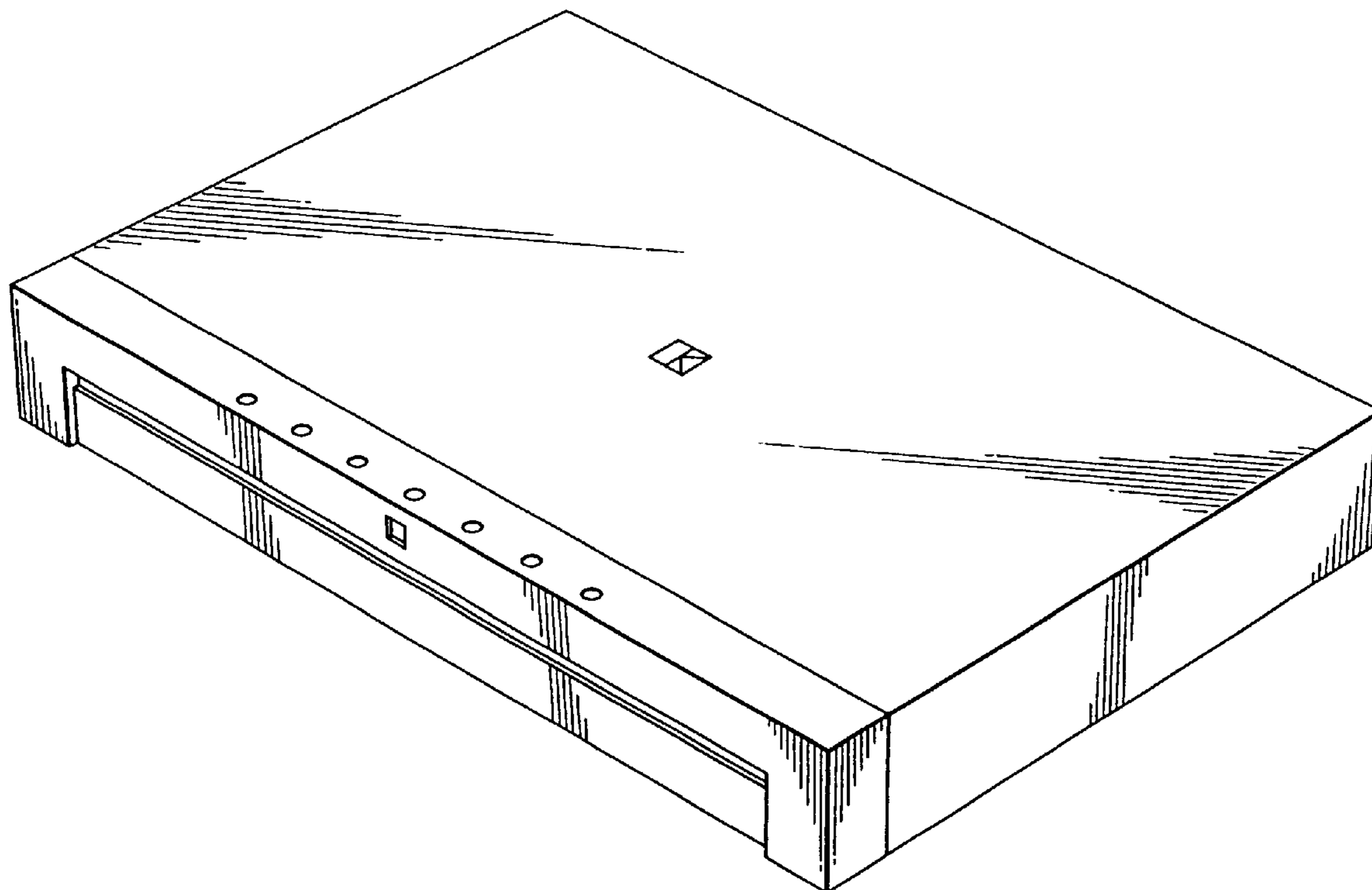
FIG. 4 is a left side view thereof;

FIG. 5 is a bottom view thereof;

FIG. 6 is a right side view thereof; and,

FIG. 7 is a perspective view thereof.

1 Claim, 2 Drawing Sheets



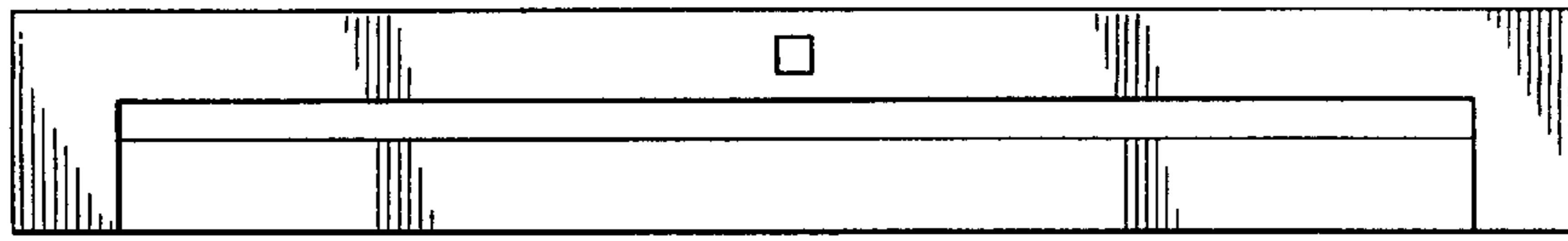


FIG. 1

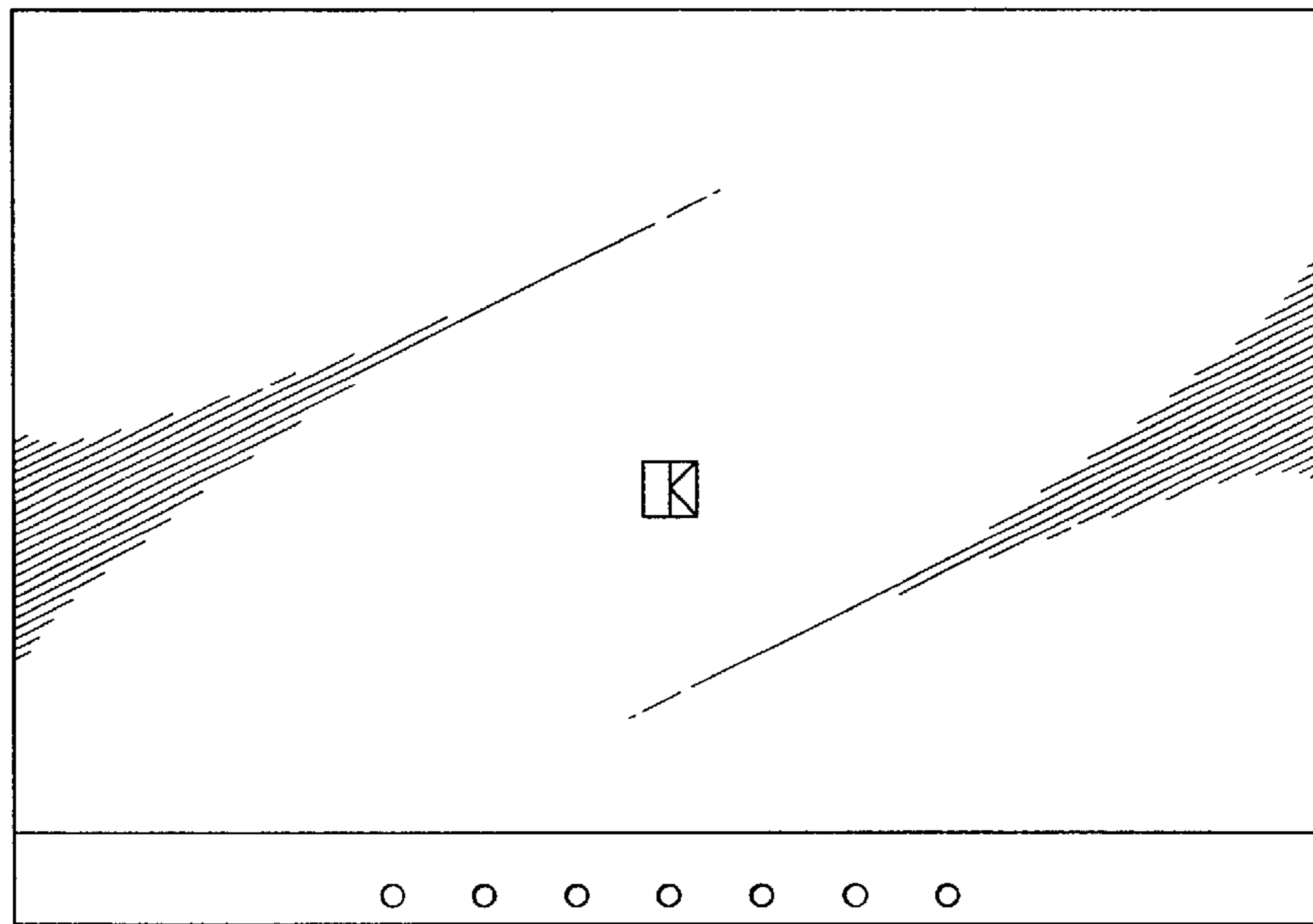


FIG. 2

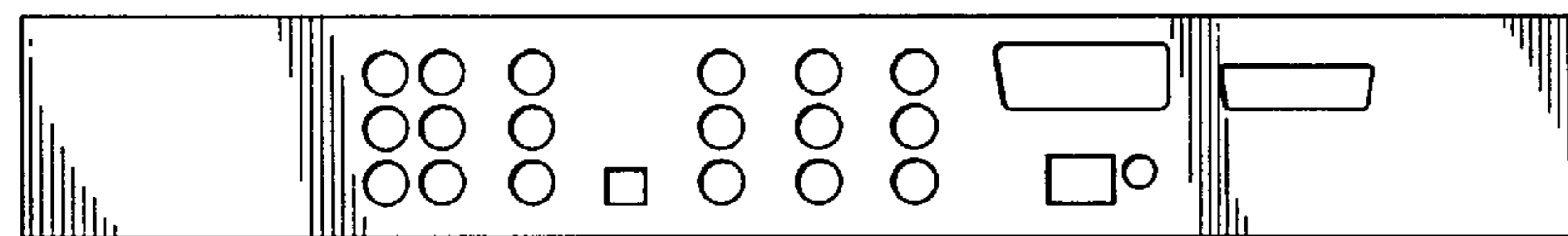


FIG. 3



FIG. 4

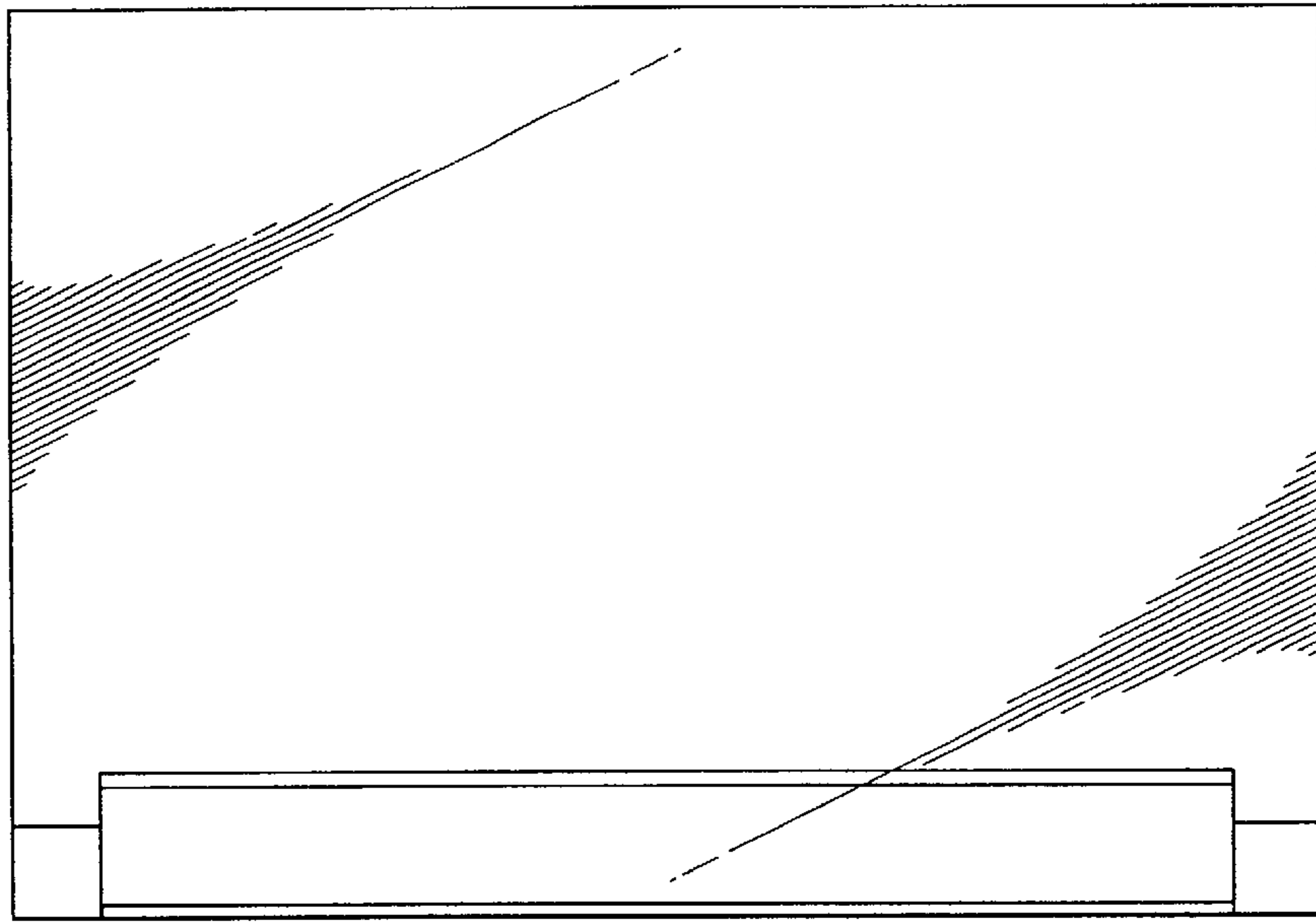


FIG. 5



FIG. 6

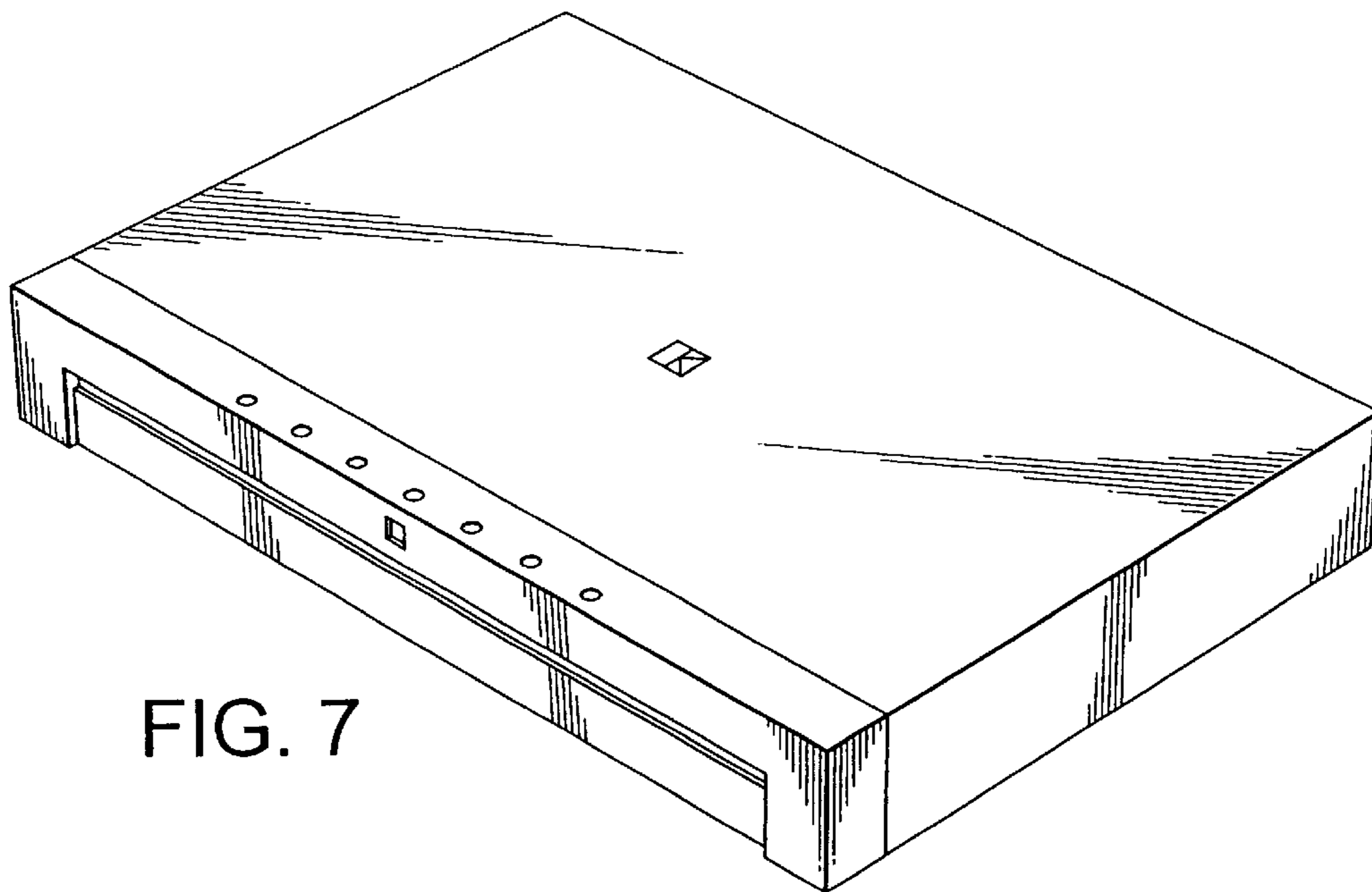


FIG. 7