



US00D511756S

(12) **United States Design Patent** (10) **Patent No.:** **US D511,756 S**
Matsuoka (45) **Date of Patent:** **** Nov. 22, 2005**

(54) **DISC PLAYER**

(75) Inventor: **Yoshimichi Matsuoka**, Tokyo (JP)

(73) Assignee: **Sony Corporation**, Tokyo (JP)

(**) Term: **14 Years**

(21) Appl. No.: **29/200,627**

(22) Filed: **Mar. 3, 2004**

(51) **LOC (8) Cl.** **14-03**

(52) **U.S. Cl.** **D14/132**

(58) **Field of Search** D14/125-136,
D14/239, 371, 374-376; 312/7.2; 348/836,
838, 180, 184, 325, 739; 341/12; 248/917-924;
345/104, 133, 156, 168, 87, 173; 340/700;
D12/415-418, 345; D21/329, 515

(56) **References Cited**

U.S. PATENT DOCUMENTS

| | | | |
|--------------|-----------|----------------|---------|
| D374,871 S | 10/1996 | Taniguchi | |
| D376,823 S | 12/1996 | Ikenaga | |
| D391,251 S | 2/1998 | Yuyama et al. | |
| D410,464 S | 6/1999 | Hakoda | |
| 5,946,055 A | * 8/1999 | Rosen | 348/837 |
| D413,856 S | * 9/1999 | Scribner | D12/418 |
| D418,823 S | 1/2000 | Matsuzaka | |
| D421,001 S | 2/2000 | Miyashita | |
| 6,059,255 A | * 5/2000 | Rosen et al. | D14/132 |
| 6,256,837 B1 | * 7/2001 | Lan et al. | 248/917 |
| D453,325 S | * 2/2002 | Okada et al. | D14/132 |
| D454,121 S | * 3/2002 | Lavelle et al. | D14/126 |
| D456,789 S | * 5/2002 | Snyker | D14/132 |
| D467,234 S | * 12/2002 | Scribner | D14/132 |
| D467,562 S | * 12/2002 | Chang | D14/132 |

OTHER PUBLICATIONS

Web page "Audiovox, PROV715P" <http://www.audiovox.com/webapp/wcs/stores/serviet/ProductDisplay?catalogid=10001&storeld=10...>, 1 sheet, Audiovox Corporation (Dec. 2003).

Web page "Audiovox, PROVE8" <http://www.audiovox.com/webapp/wcs/stores/serviet/ProductDisplay?catalogid=10001&storeld=10...>, 1 sheet, Audiovox Corporation (Dec. 2003).

Web page "Audiovox, VOD806" <http://www.audiovox.com/webapp/wcs/stores/serviet/ProductDisplay?catalogid=10001&storeld=10...>, 1 sheet, Audiovox Corporation (Dec. 2003).

Web page "Audiovox, PROV715" <http://www.audiovox.com/webapp/wcs/stores/serviet/ProductDisplay?catalogid=10001&storeld=10...>, 1 sheet, Audiovox Corporation (Dec. 2003).

* cited by examiner

Primary Examiner—Raphael Barkai
(74) *Attorney, Agent, or Firm*—Rader, Fishman & Grauer PLLC

(57) **CLAIM**

The ornamental design for a disc player, as shown.

DESCRIPTION

FIG. 1 is a perspective view of a disc player showing my new design;

FIG. 2 is a front elevational view thereof;

FIG. 3 is a rear elevational view thereof;

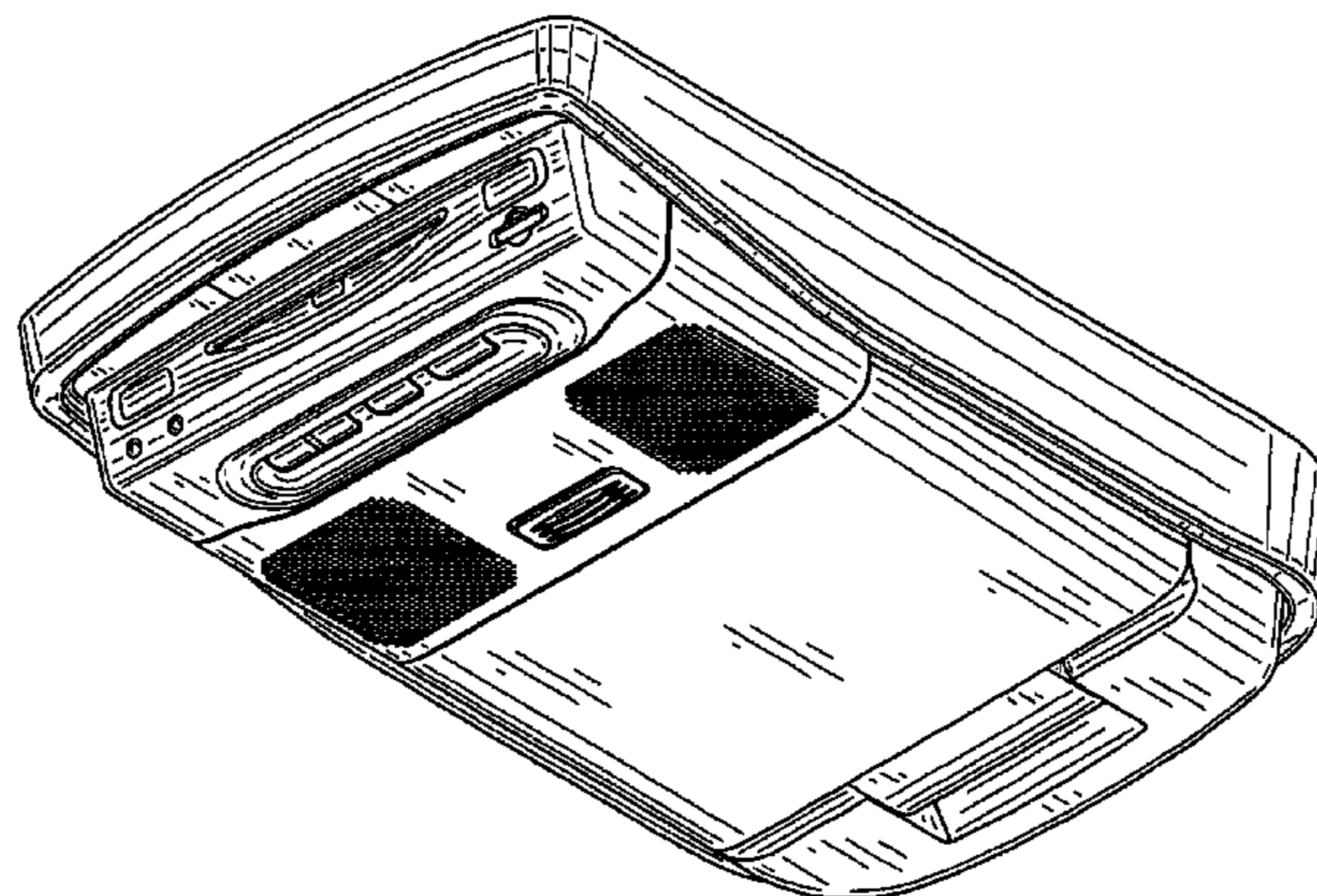
FIG. 4 is a left side elevational view thereof;

FIG. 5 is a right side elevational view thereof;

FIG. 6 is a top plan view thereof; and,

FIG. 7 is a bottom plan view thereof.

1 Claim, 5 Drawing Sheets



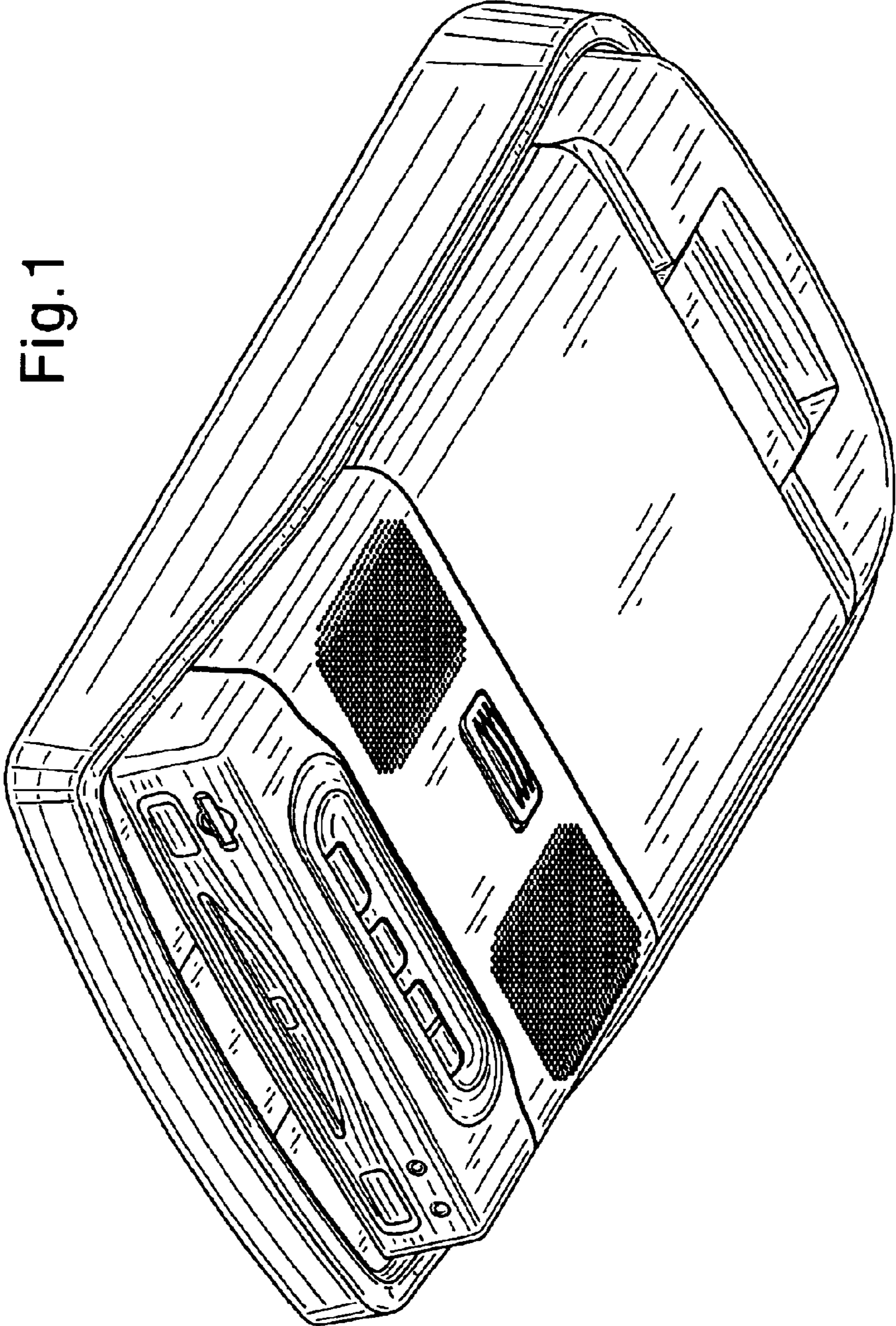


Fig. 1

Fig.2

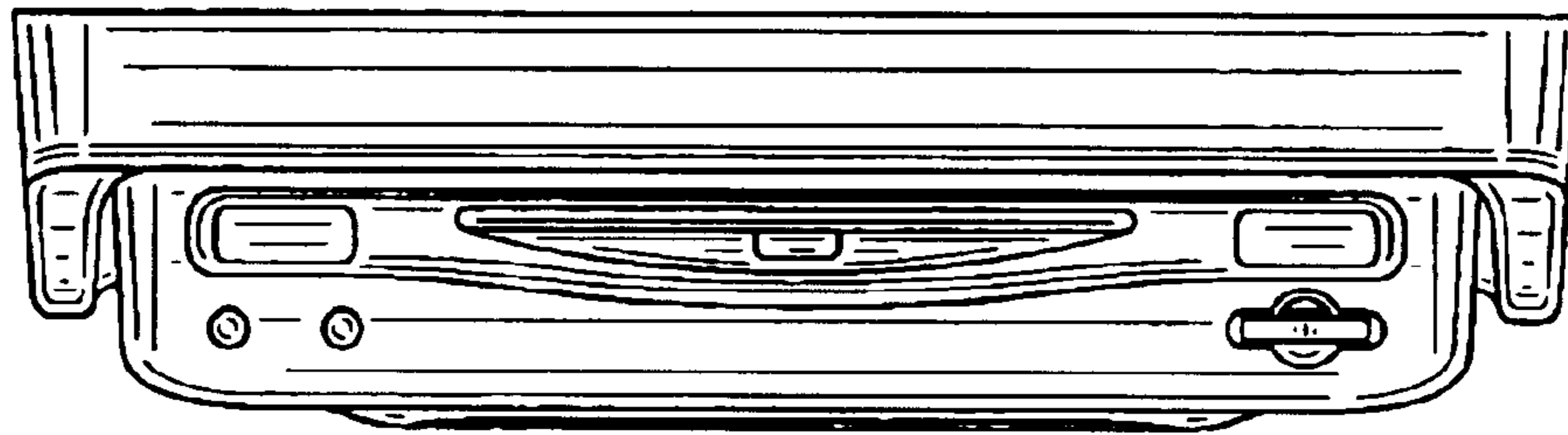


Fig.3

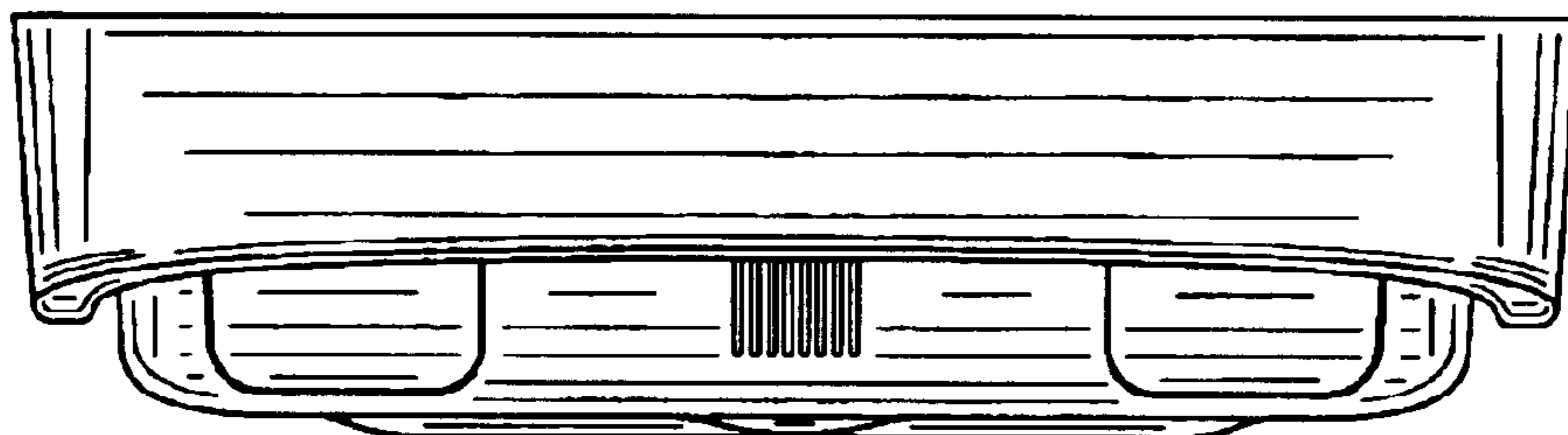


Fig.4

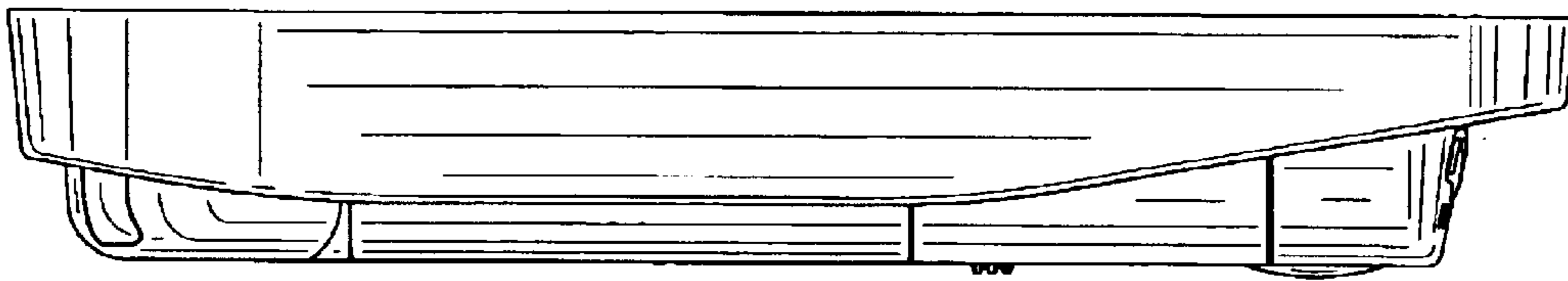


Fig.5

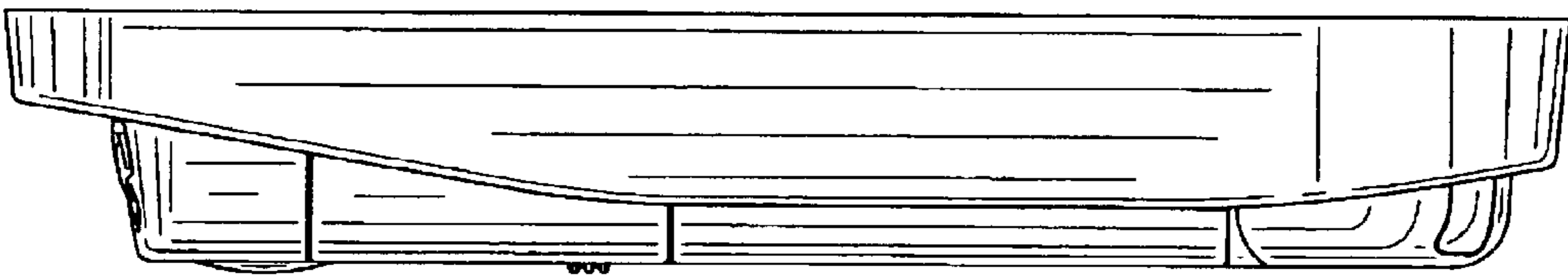


Fig.6

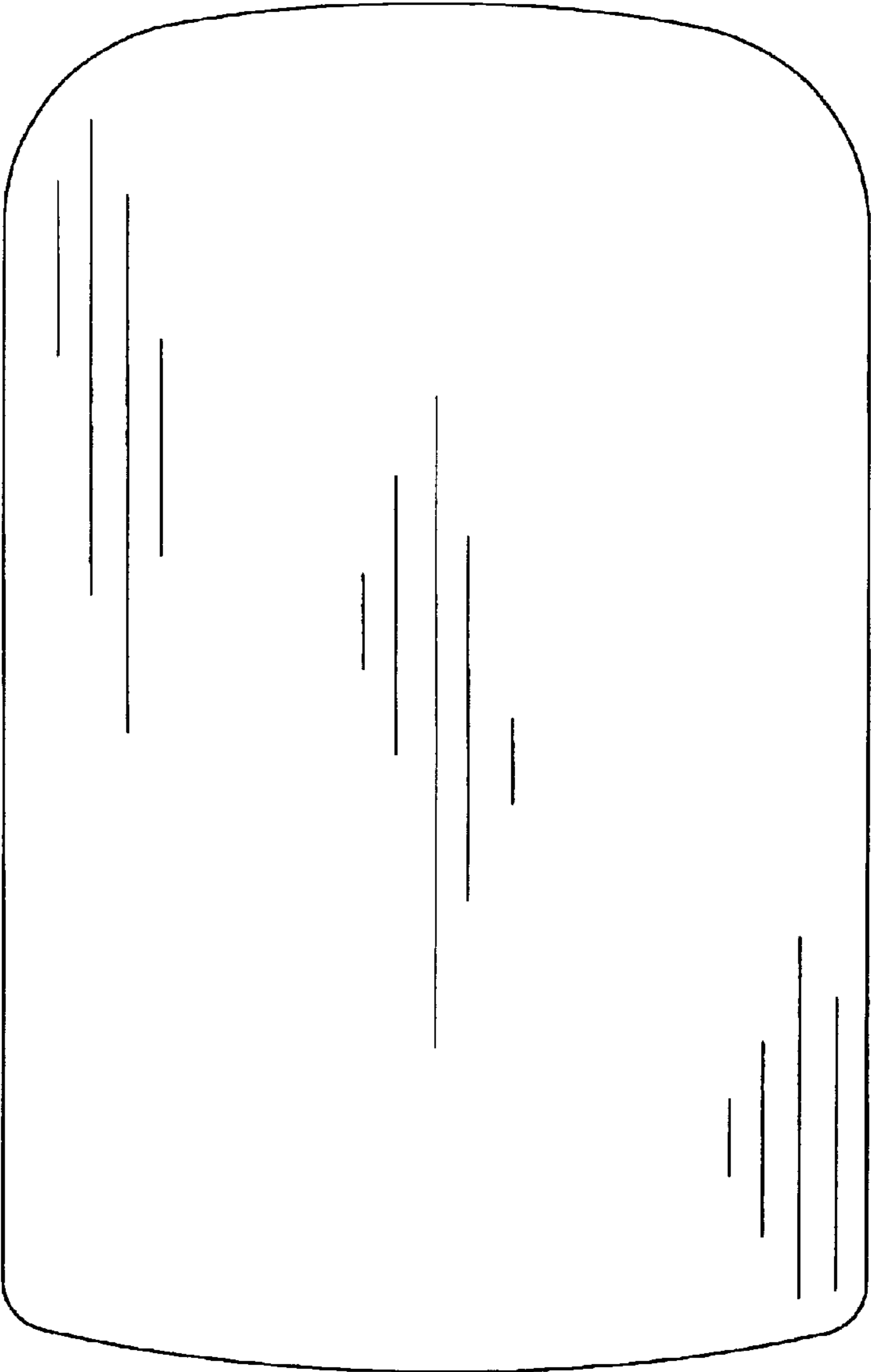


Fig.7

