



US00D511749S

(12) **United States Design Patent**
Macuch

(10) **Patent No.: US D511,749 S**

(45) **Date of Patent: ** Nov. 22, 2005**

(54) **COAXIAL AND DSL CABLE SWITCH FOR CONTROLLING A COMPUTER CONNECTION TO THE INTERNET**

6,084,873 A 7/2000 Russell et al.
6,507,273 B1 1/2003 Chang et al.
6,531,666 B2 * 3/2003 Huang 200/51 R
6,660,950 B2 * 12/2003 Fonseca 200/51 R
2003/0062252 A1 * 4/2003 Fonseca 200/538

(76) **Inventor: Peter L. Macuch**, 170 Walnut St., Stratford, CT (US) 86115

* cited by examiner

(**) **Term: 14 Years**

Primary Examiner—Stella Reid
Assistant Examiner—Selina Sikder
(74) *Attorney, Agent, or Firm*—Donald R. Schoonover

(21) **Appl. No.: 29/193,774**

(22) **Filed: Nov. 17, 2003**

(57) **CLAIM**

(51) **LOC (8) Cl. 13-03**

I claim the ornamental design for a coaxial and DSL cable switch for controlling a computer connection to the internet, as shown and described.

(52) **U.S. Cl. D13/158; D13/169**

(58) **Field of Search D13/158, 160, D13/169; 200/51 R, 51.11, 504, 538, 540, 541, 545**

DESCRIPTION

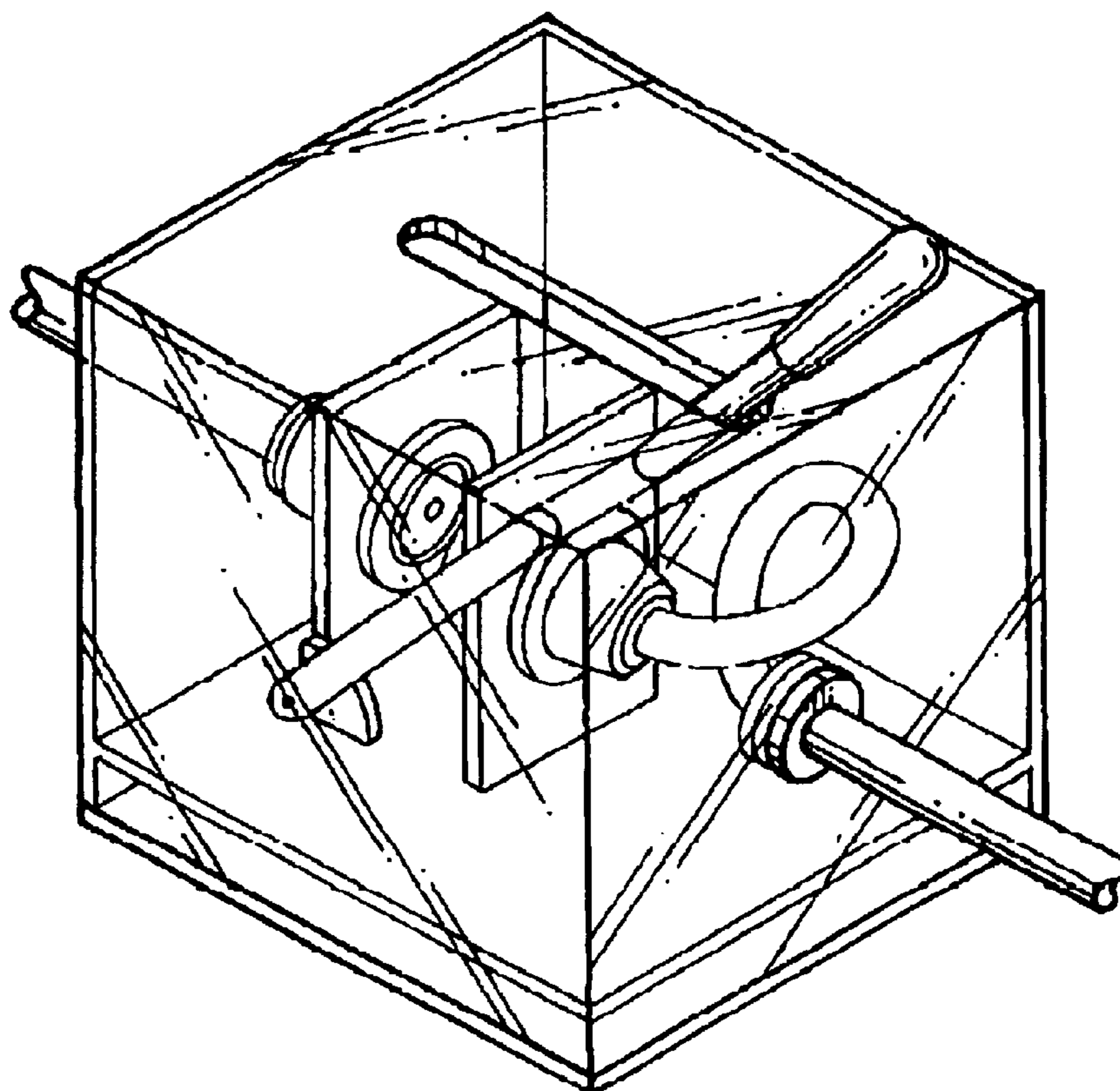
(56) **References Cited**

U.S. PATENT DOCUMENTS

2,661,402 A	12/1953	Balch	
2,673,894 A	3/1954	Wallace, Jr. et al.	
4,964,163 A	10/1990	Berry	
5,023,575 A	* 6/1991	Davcev 333/105
D327,254 S	* 6/1992	Seay et al. D13/160
5,237,561 A	8/1993	Pyhälammii	
5,386,380 A	1/1995	Chen et al.	
5,451,983 A	9/1995	Poivet	

FIG. 1 is a perspective view of a coaxial and DSL cable switch for controlling a computer connection to the internet showing my new design;
FIG. 2 is a front elevational view thereof;
FIG. 3 is a rear elevational view thereof;
FIG. 4 is a right side elevational view thereof;
FIG. 5 is a left side elevational view thereof;
FIG. 6 is a top plan view thereof; and,
FIG. 7 is a bottom plan view thereof.

1 Claim, 4 Drawing Sheets



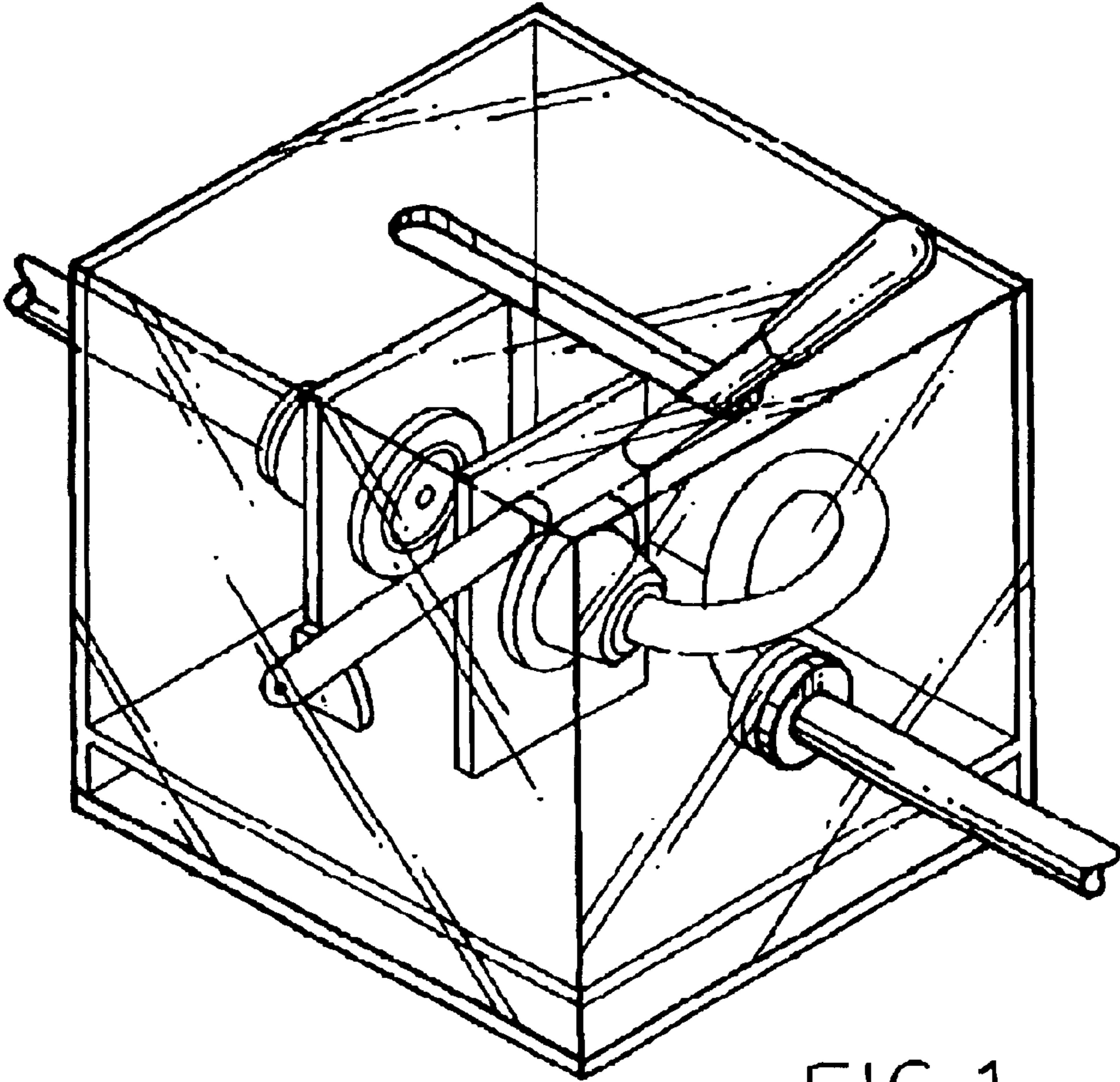


FIG. 1.

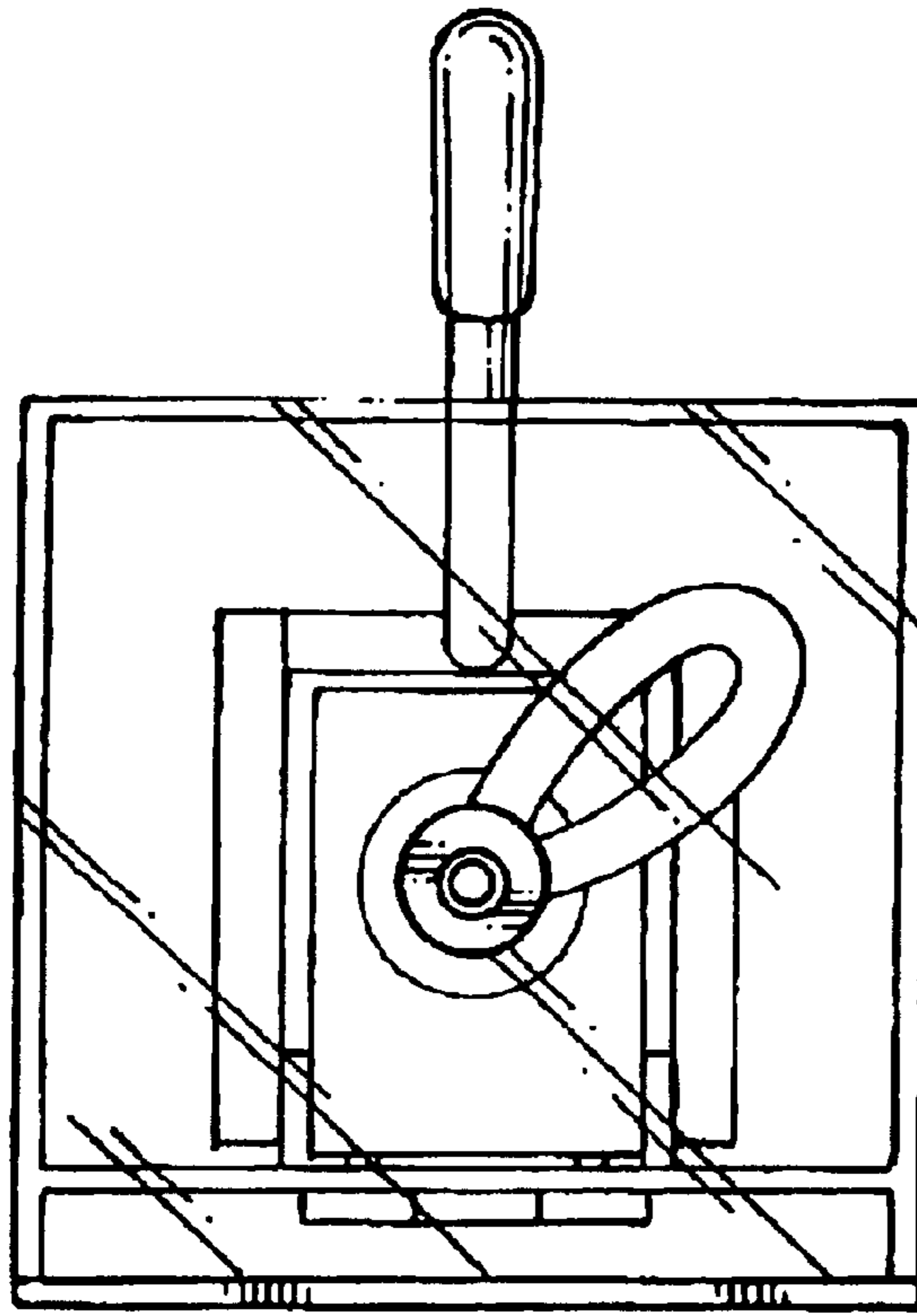


FIG. 2.

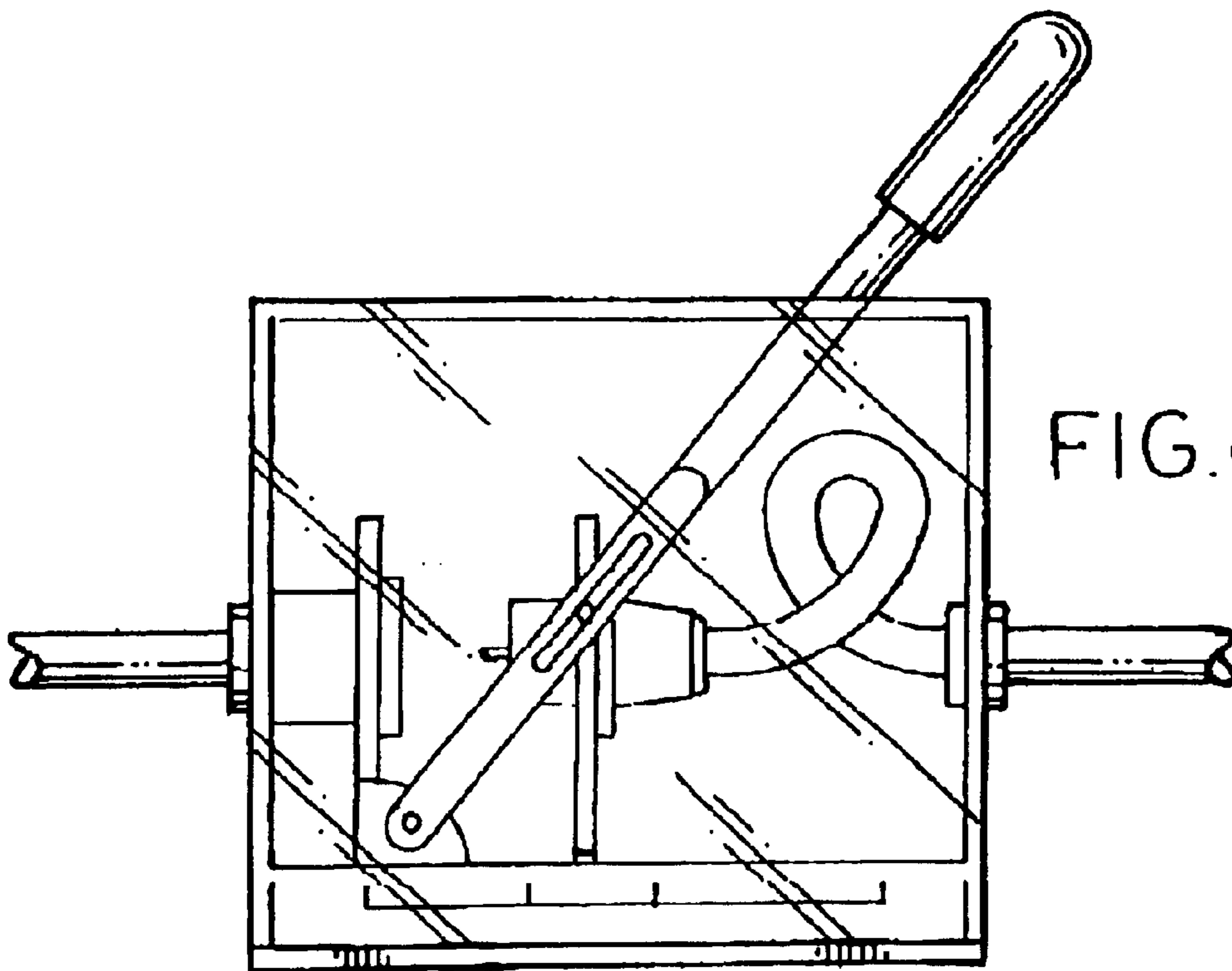


FIG. 4.

FIG. 3.

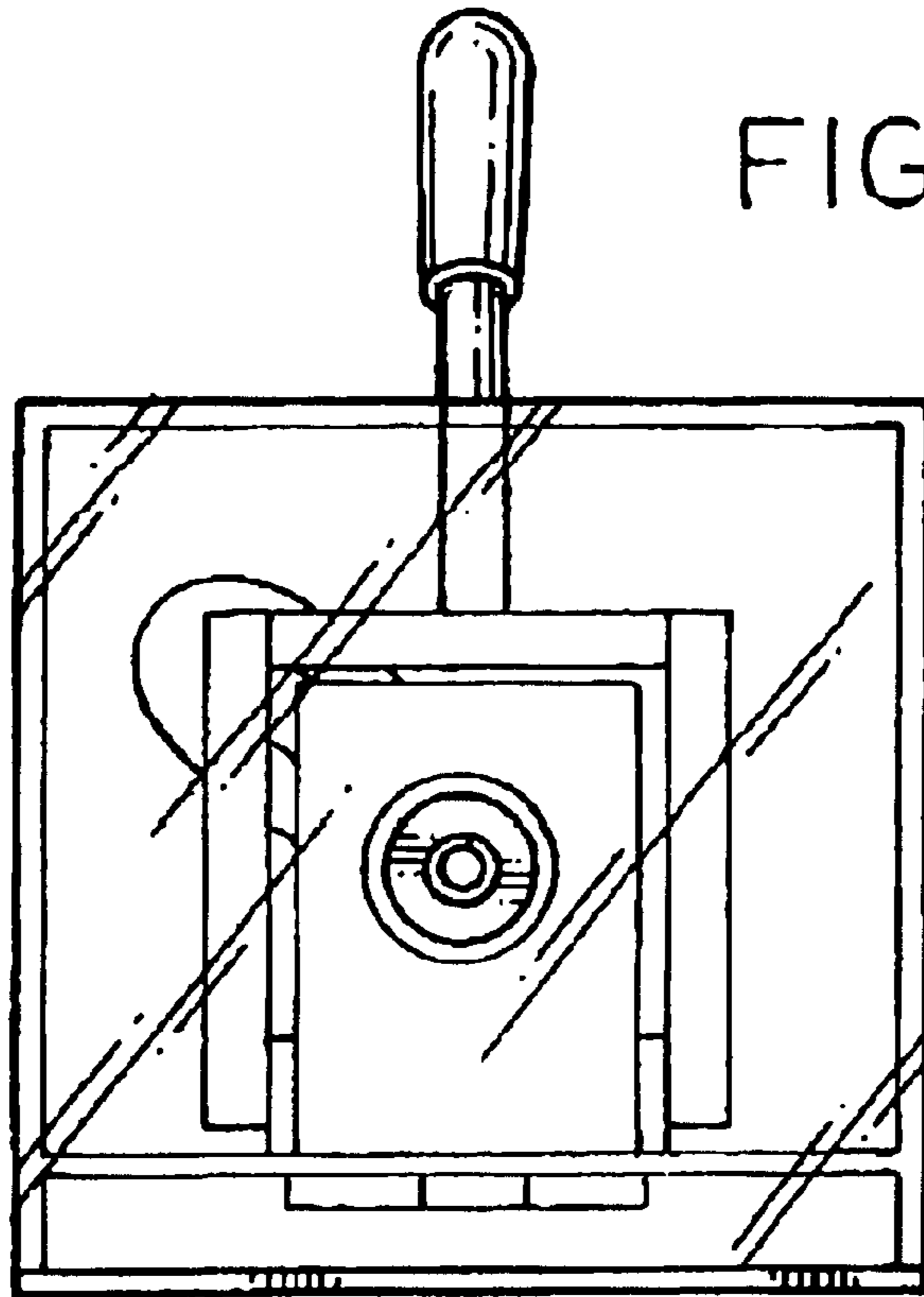
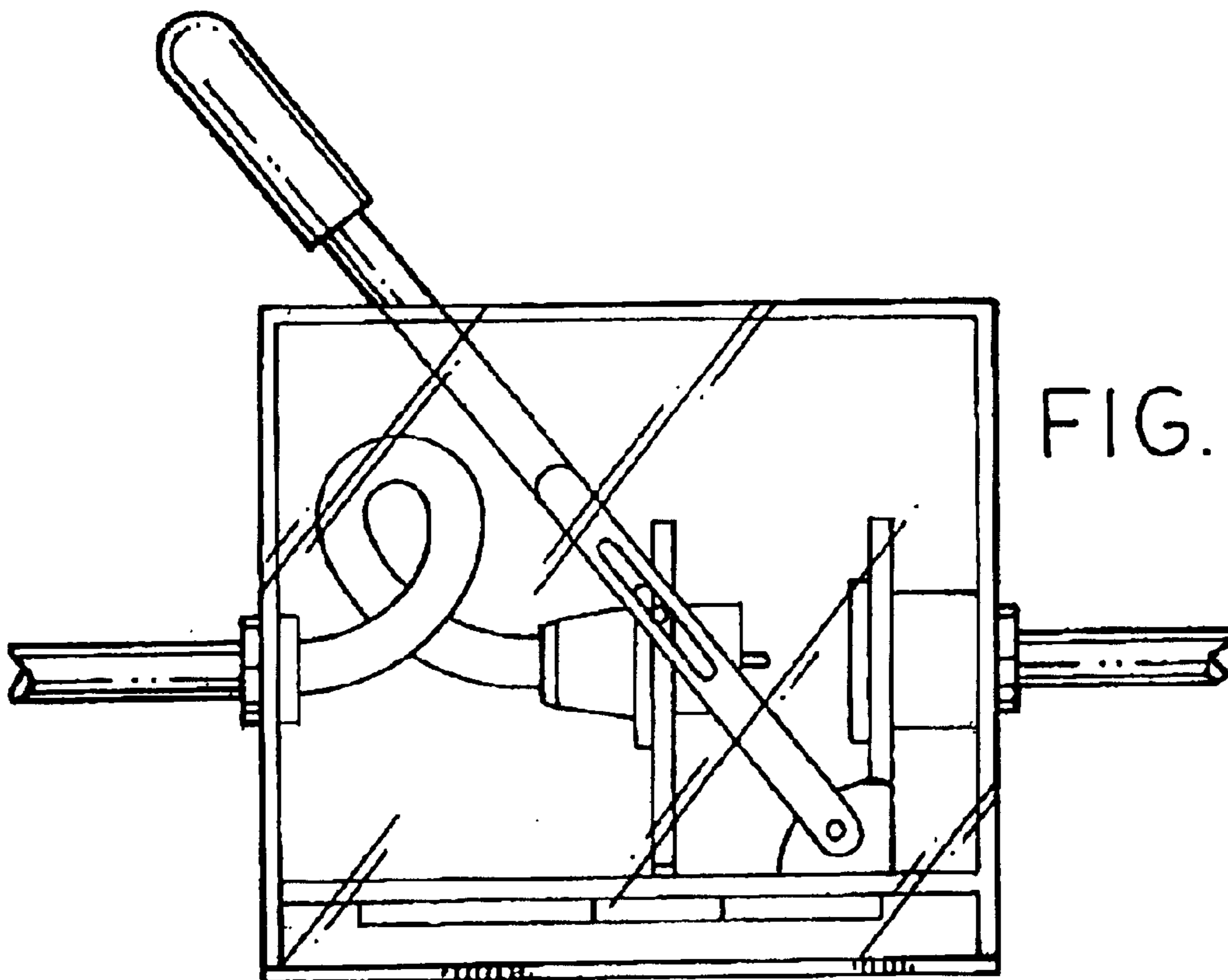


FIG. 5.



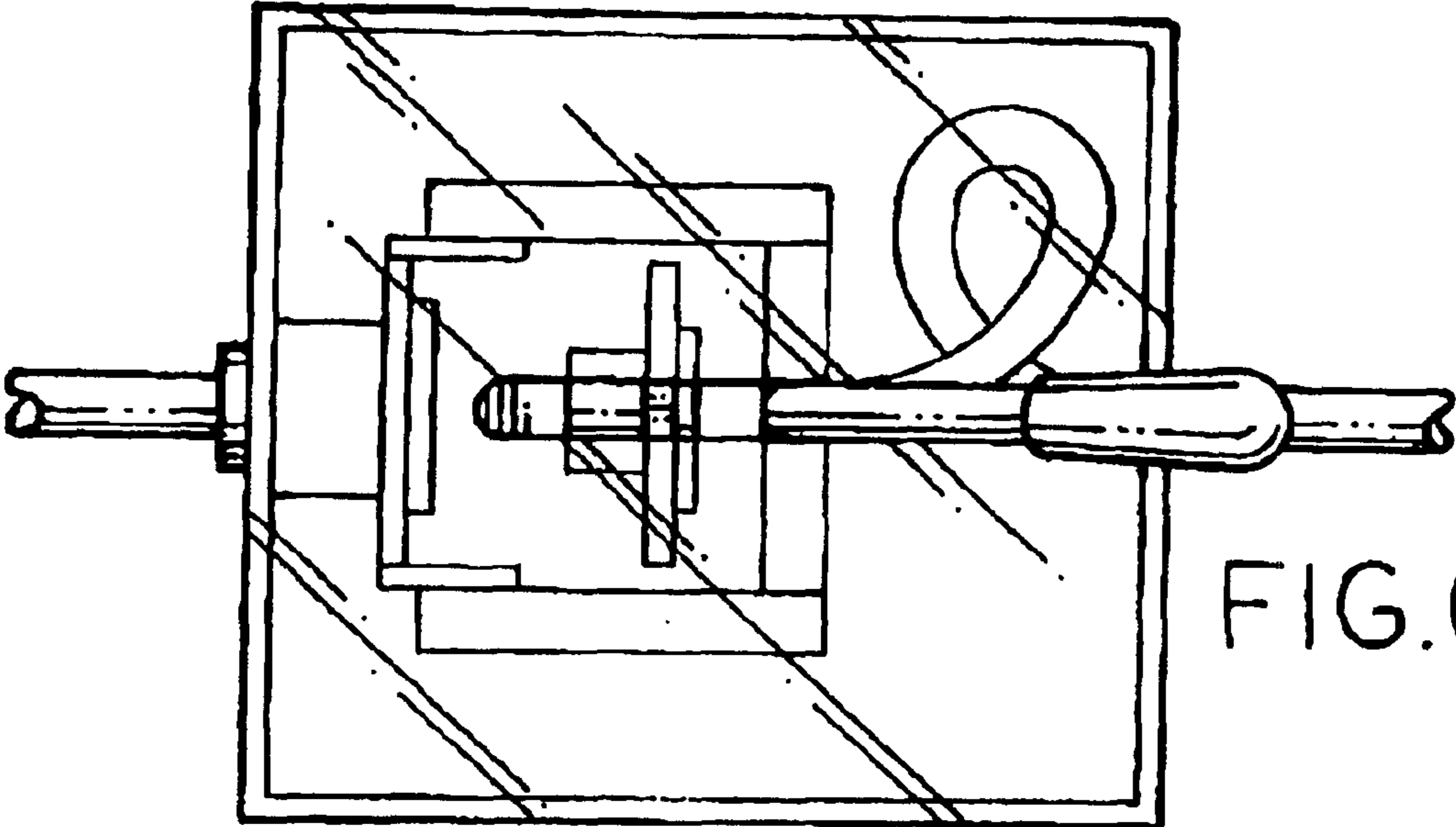


FIG. 6.

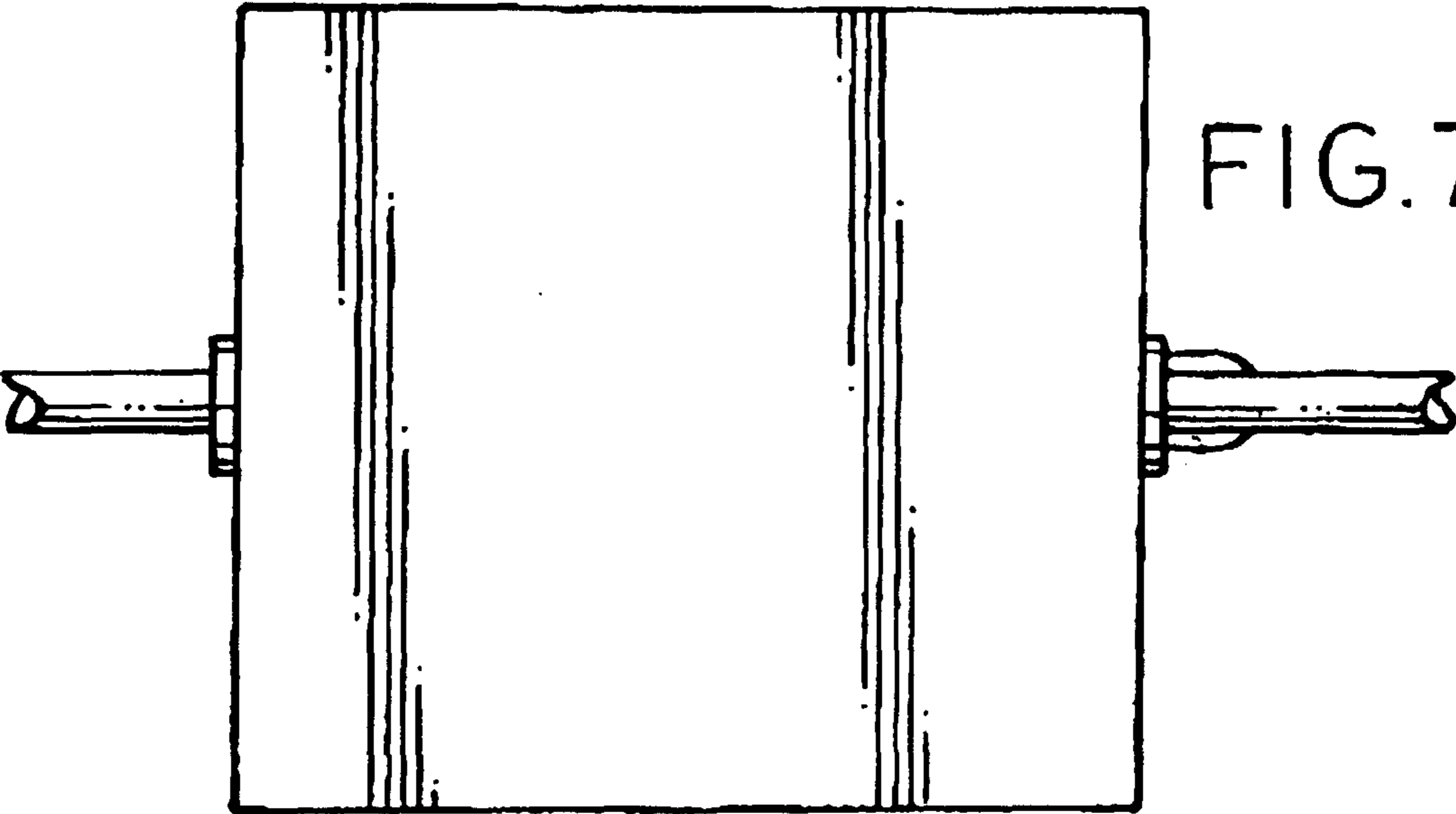


FIG. 7.