



US00D511747S

(12) **United States Design Patent**
Rey et al.

(10) **Patent No.: US D511,747 S**
(45) **Date of Patent: ** Nov. 22, 2005**

(54) **CONNECTOR FOR OPTICAL WIRING**

(75) Inventors: **Géraldine Rey**, Peillonex (FR);
Stéphane Doit, Chamonix Mont Blanc (FR)

(73) Assignee: **Amphenol Socapex** (FR)

(**) Term: **14 Years**

(21) Appl. No.: **29/213,178**

(22) Filed: **Sep. 15, 2004**

(30) **Foreign Application Priority Data**

Mar. 18, 2004 (EM) 159629

(51) **LOC (8) Cl.** **13-03**

(52) **U.S. Cl.** **D13/147; D13/146**

(58) **Field of Search** D13/133, 146-147,
D13/154, 185, 199; 439/108, 314-316,
322, 337, 357-378, 644, 649, 671, 675,
677, 680

(56) **References Cited**

U.S. PATENT DOCUMENTS

D162,795 S * 4/1951 De Tar D13/146
D298,931 S * 12/1988 Sekiguchi D13/147
D337,988 S * 8/1993 Wright D13/133

D381,628 S * 7/1997 Ashida D13/147
D413,100 S * 8/1999 Nakazawa D13/146
6,203,349 B1 * 3/2001 Nakazawa 439/319
D472,215 S * 3/2003 Hamamura D13/146
D480,353 S * 10/2003 Takahashi D13/101
D491,891 S * 6/2004 Conway et al. D13/146
D493,428 S * 7/2004 McCoy D13/147
D500,475 S * 1/2005 Noro et al. D13/133
D505,918 S * 6/2005 Conway et al. D13/147

* cited by examiner

Primary Examiner—Stella Reid
Assistant Examiner—Daniel Bui

(74) *Attorney, Agent, or Firm*—Blank Rome LLP

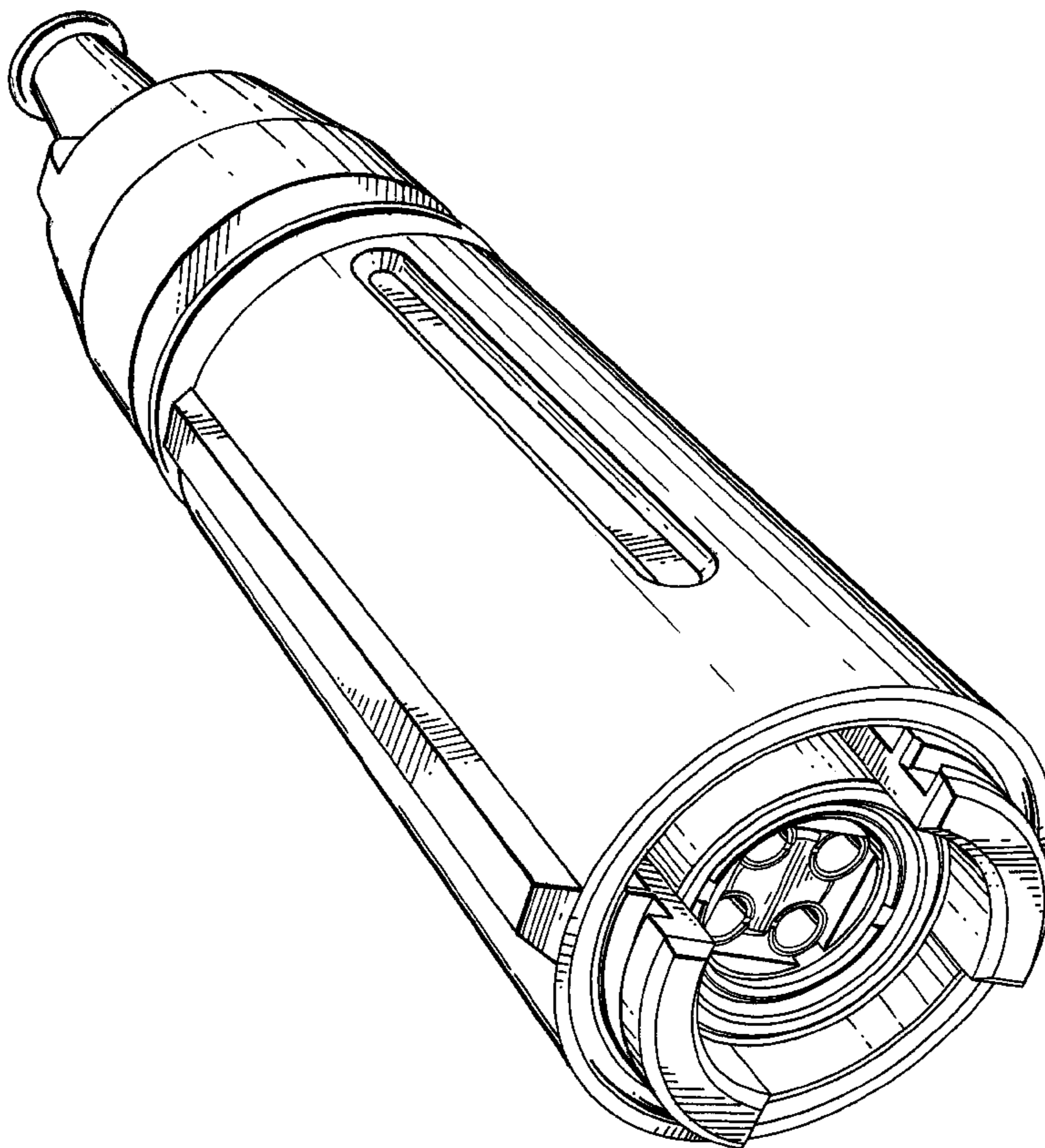
(57) **CLAIM**

The ornamental design for a connector for optical wiring, as shown and described.

DESCRIPTION

FIG. 1 is a perspective view of the connector for optical wiring showing our new design;
FIG. 2 is a rear elevation view thereof;
FIG. 3 is a front elevation view thereof;
FIG. 4 is a right side elevation view thereof.
FIG. 5 is a left side elevation view thereof; and,
FIG. 6 is a bottom plan view thereof.

1 Claim, 4 Drawing Sheets



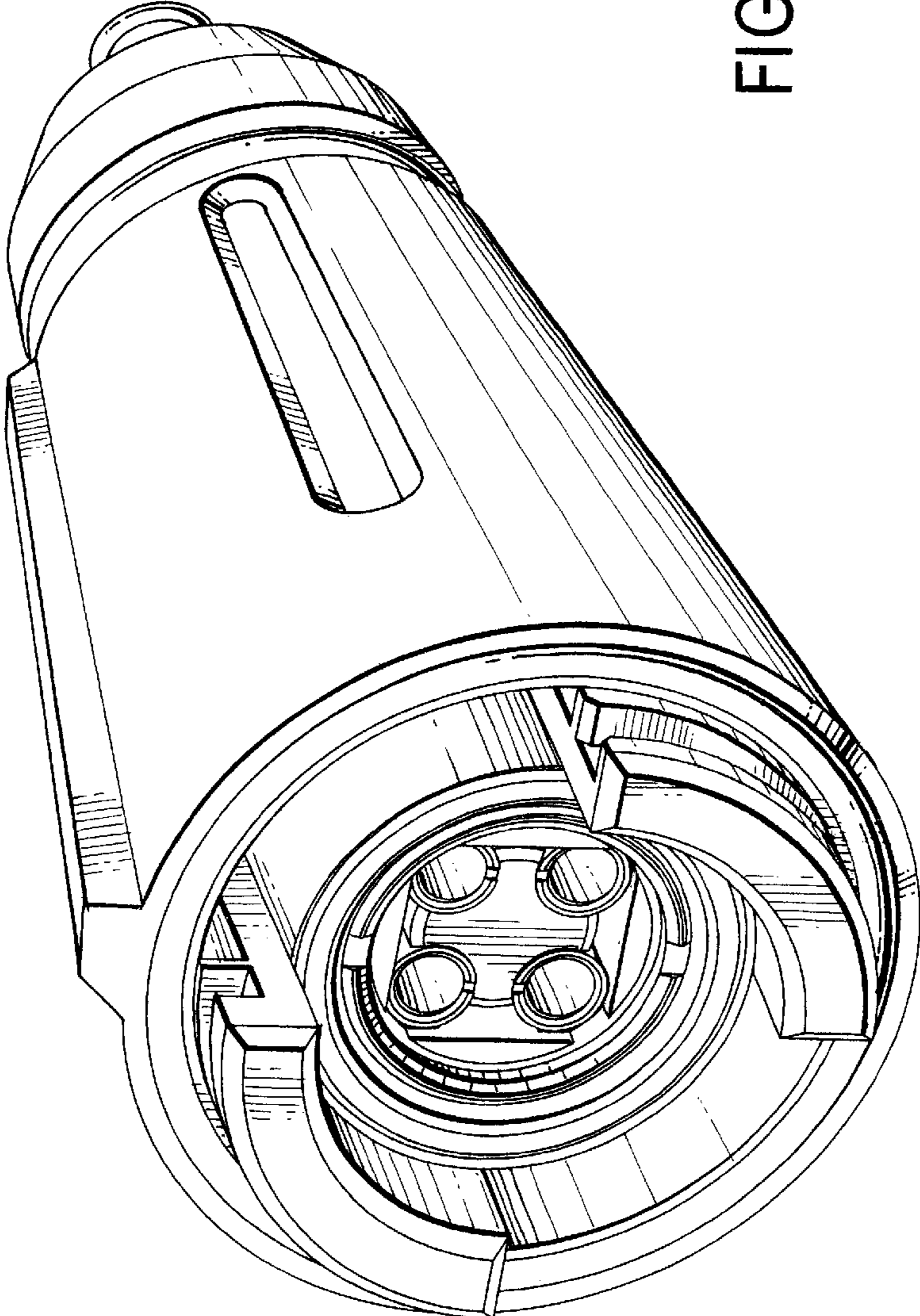


FIG. 1

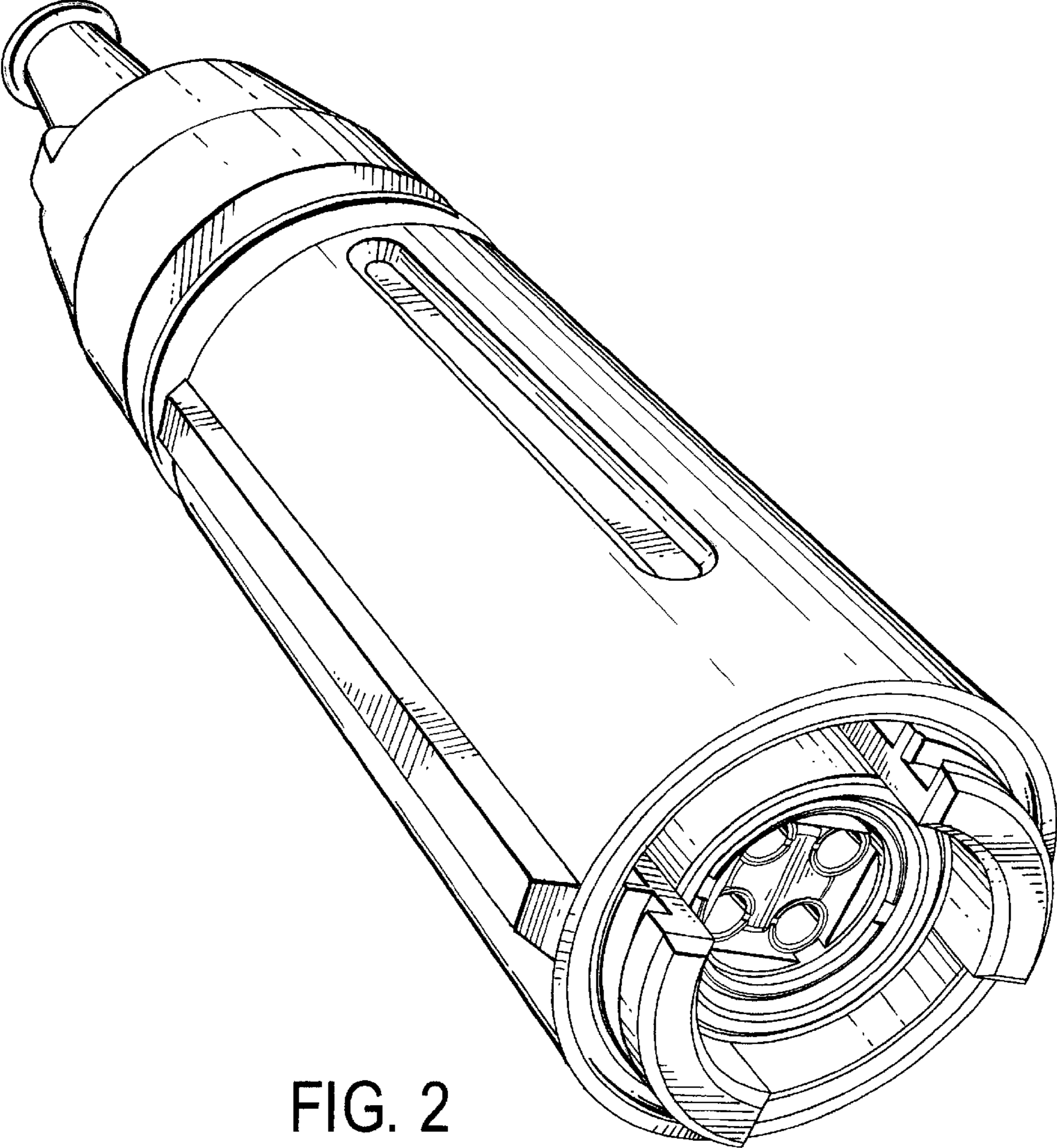


FIG. 2

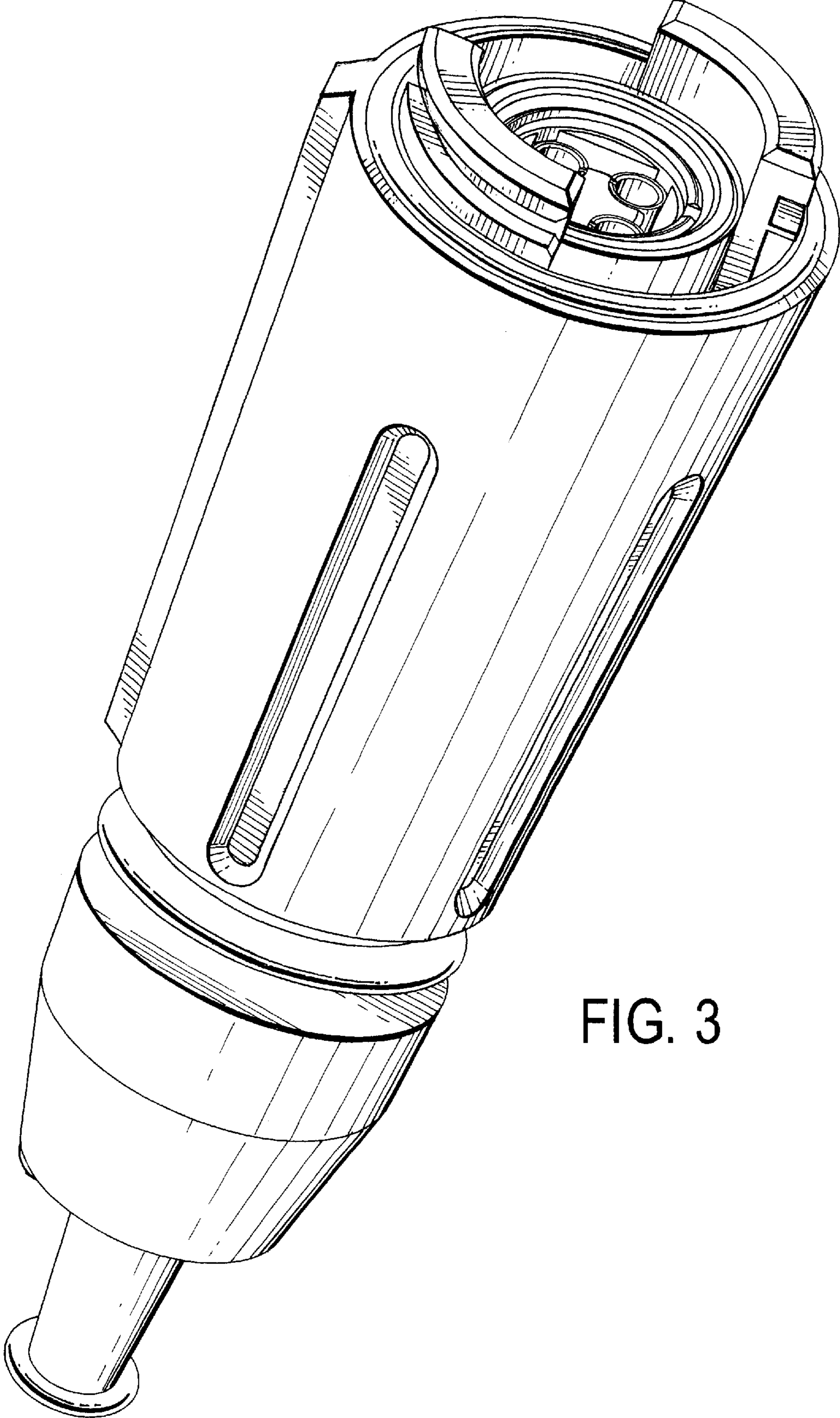


FIG. 3

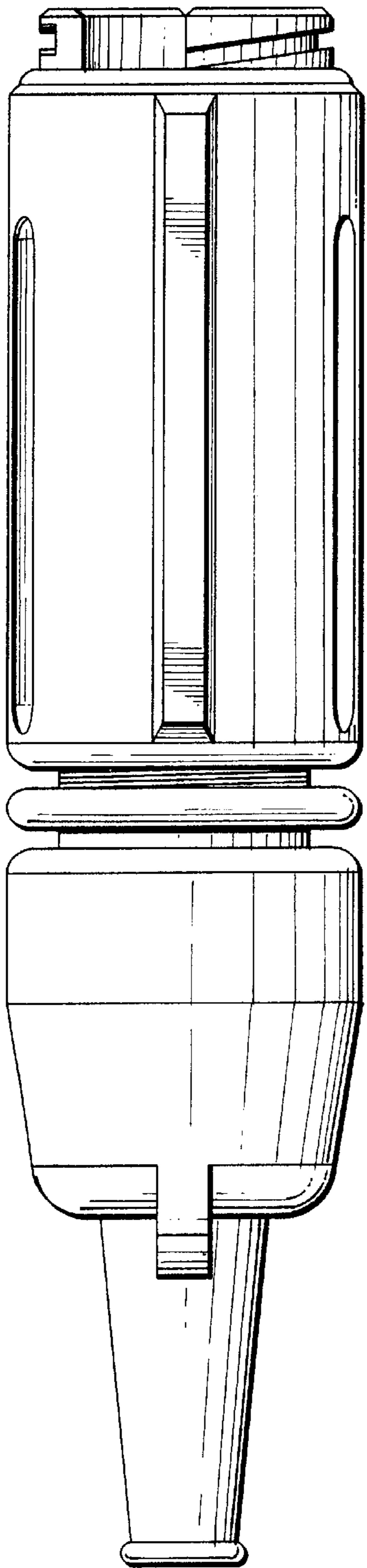


FIG. 4

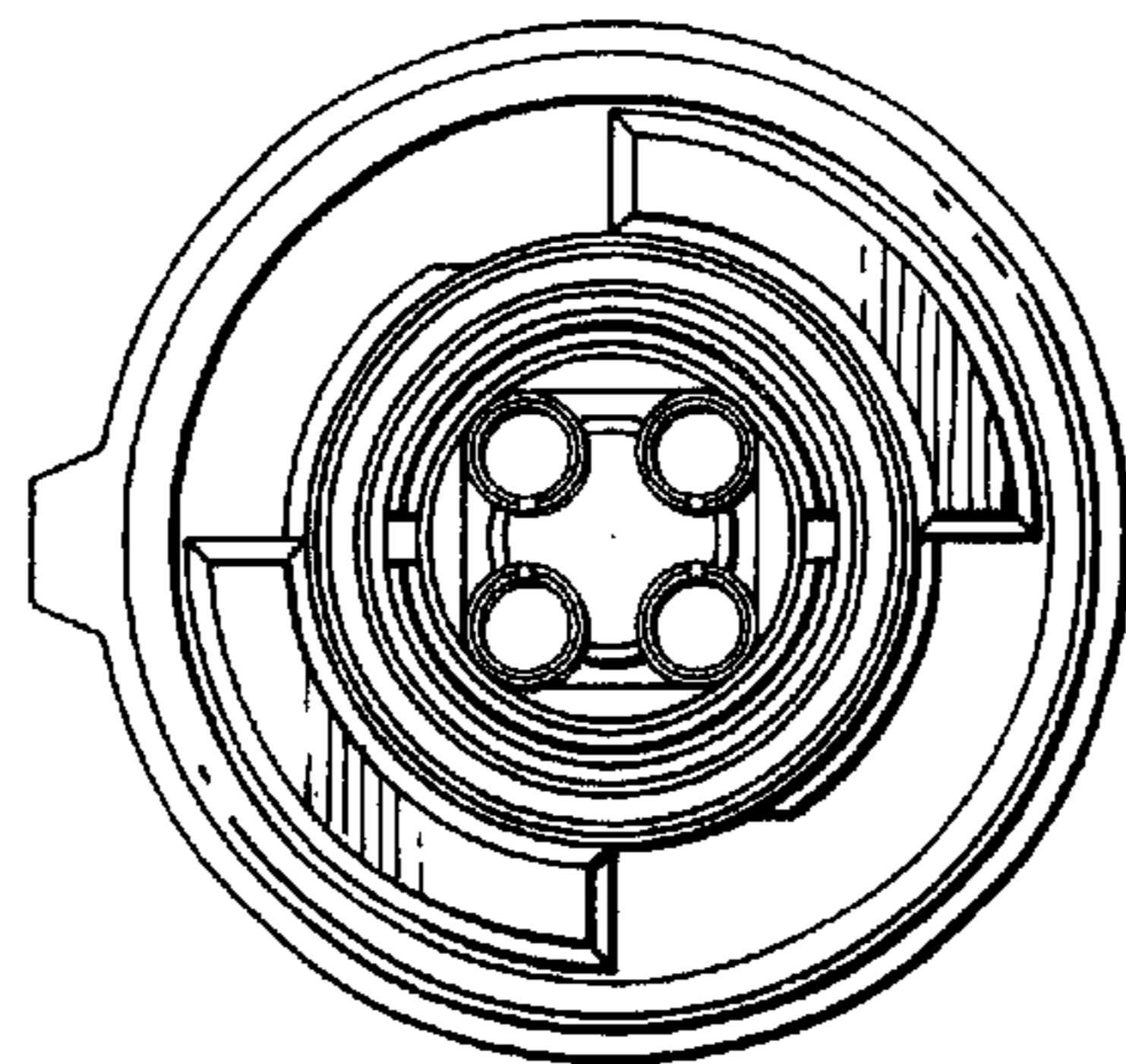


FIG. 6

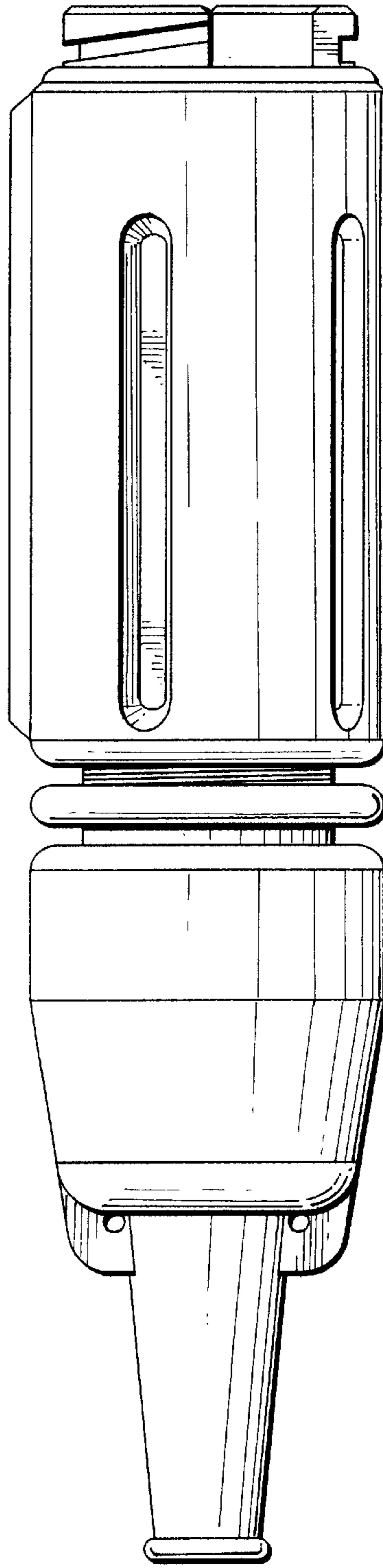


FIG. 5