



US00D511744S

(12) **United States Design Patent**  
**Hsu et al.**

(10) **Patent No.: US D511,744 S**

(45) **Date of Patent: \*\* Nov. 22, 2005**

(54) **BATTERY HOLDER FOR POWER TOOL**

(75) Inventors: **Hung-Ming Hsu**, Taichung (TW);  
**Ying-Hui Lai**, Taichung (TW)

(73) Assignee: **Mobiletron Electronics Co., Ltd**,  
Taichung Hsien (TW)

(\*\*) Term: **14 Years**

(21) Appl. No.: **29/217,216**

(22) Filed: **Nov. 16, 2004**

(51) **LOC (8) Cl. .... 13-02**

(52) **U.S. Cl. .... D13/108; D13/103**

(58) **Field of Search .... D13/102-108,**  
D13/110, 118-119, 184; 429/96-100, 163,  
176

(56) **References Cited**

**U.S. PATENT DOCUMENTS**

D415,100 S	*	10/1999	Buck	.....	D13/103
D432,077 S	*	10/2000	Zurwelle et al.	.....	D13/103
D436,917 S	*	1/2001	Hayakawa et al.	.....	D13/103
D456,002 S	*	4/2002	Kato et al.	.....	D13/103
D466,863 S	*	12/2002	Zurwelle et al.	.....	D13/119
D475,679 S	*	6/2003	Cooper et al.	.....	D13/103
D477,811 S	*	7/2003	Niwa et al.	.....	D13/103
D481,672 S	*	11/2003	Niwa et al.	.....	D13/103
D483,012 S	*	12/2003	Hsu	.....	D13/103

D484,458 S	*	12/2003	Garvis et al.	.....	D13/103
6,783,886 B1	*	8/2004	Sakakibara et al.	.....	429/99
2003/0039880 A1	*	2/2003	Turner et al.	.....	429/97
2004/0106036 A1	*	6/2004	Geis et al.	.....	429/99

\* cited by examiner

*Primary Examiner*—Alan P. Douglas

*Assistant Examiner*—Rosemary Tarcza

(74) *Attorney, Agent, or Firm*—Bacon & Thomas PLLC

(57) **CLAIM**

The ornamental design for battery holder for power tool, as shown and described.

**DESCRIPTION**

FIG. 1 shows a perspective view of the present design.  
FIG. 2 shows a right side elevational view of the present design.

FIG. 3 shows a top plan view of the present design.

FIG. 4 shows a front elevational view of the present design.

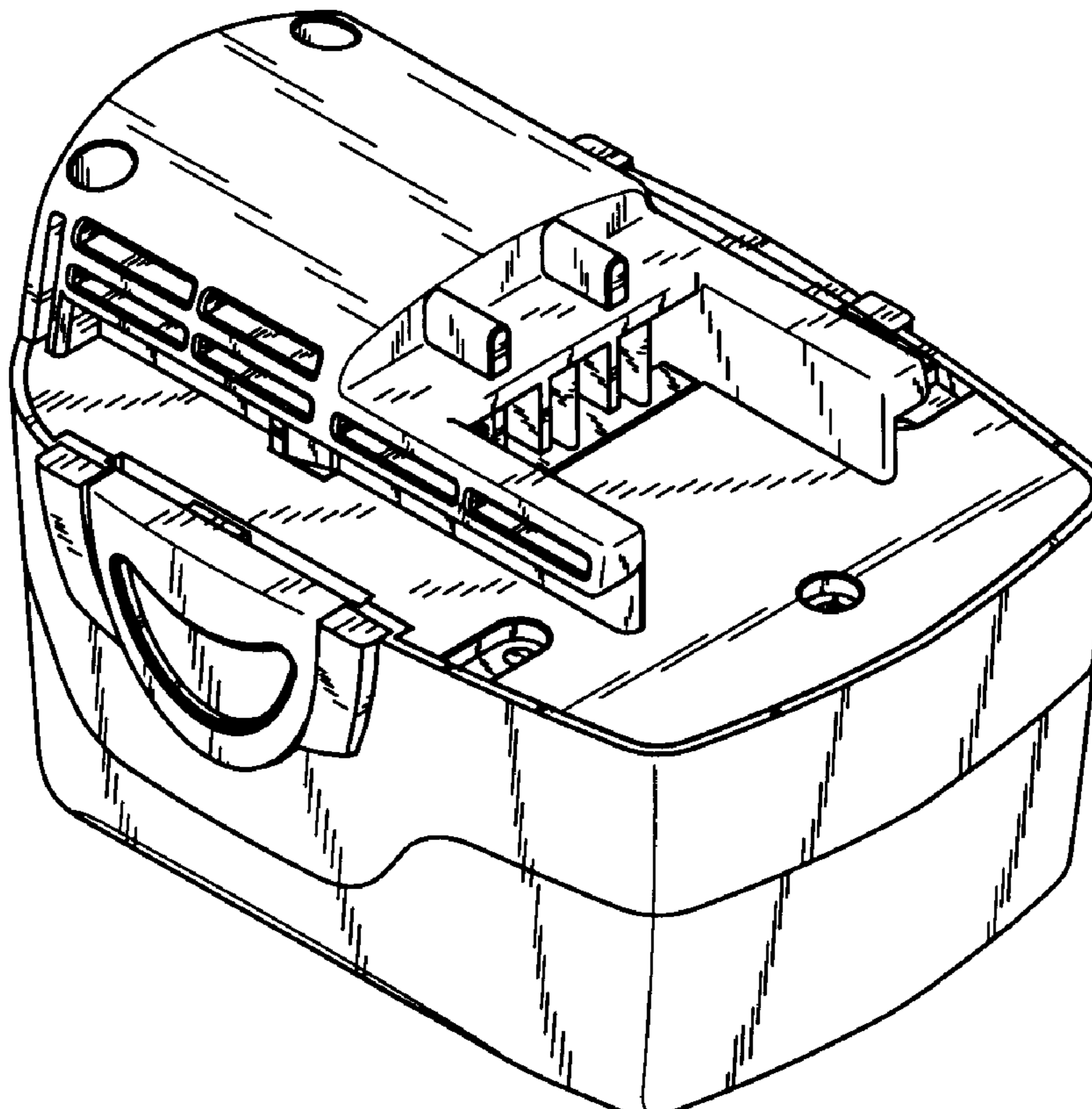
FIG. 5 shows a bottom plan view of the present design.

FIG. 6 shows a left side elevational view of the present design; and,

FIG. 7 shows a rear elevational view of the present design.

The broken line illustration in the drawing disclosure is for illustrative purposes only and forms no part of the claimed design.

**1 Claim, 3 Drawing Sheets**



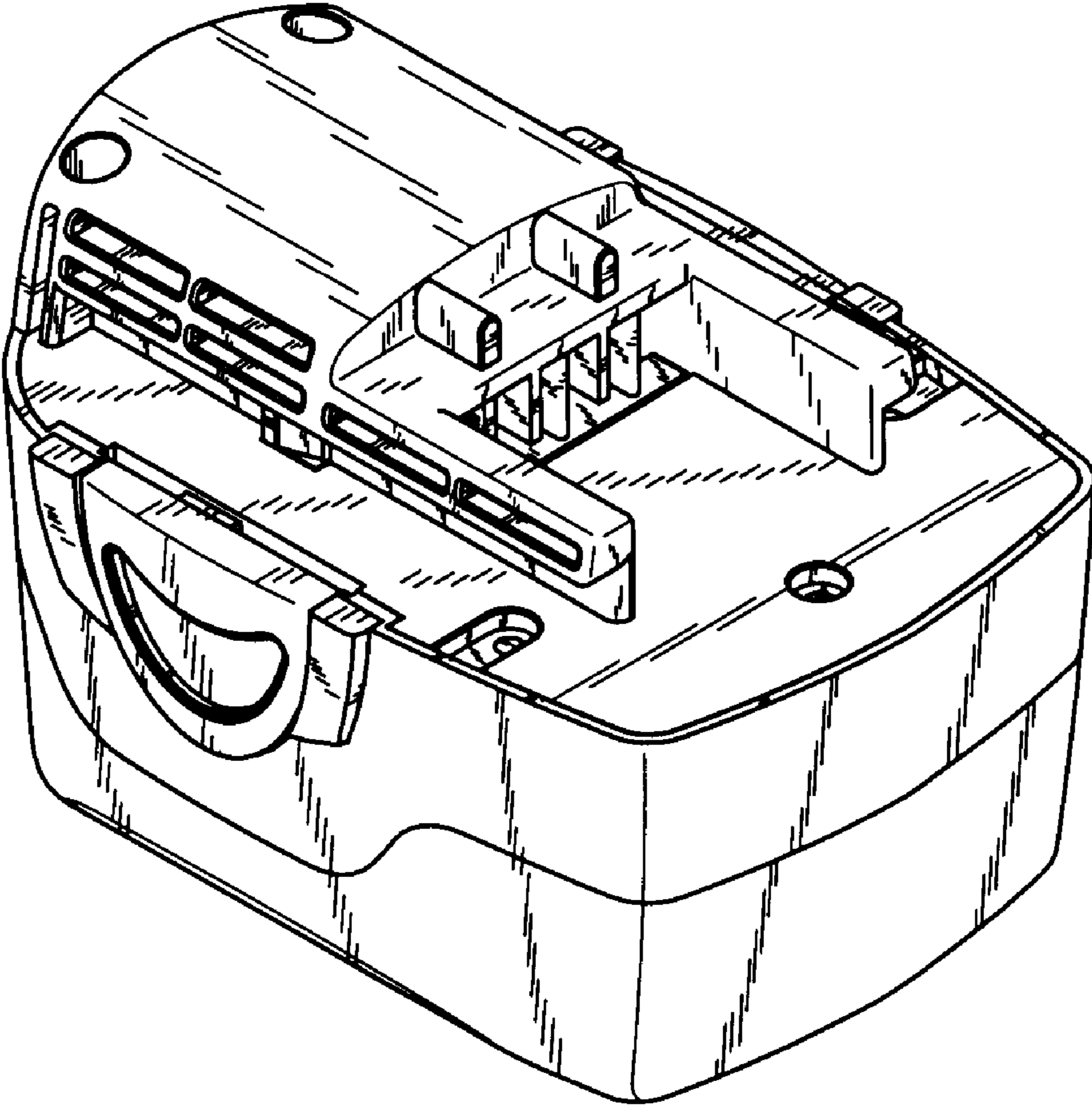


FIG. 1

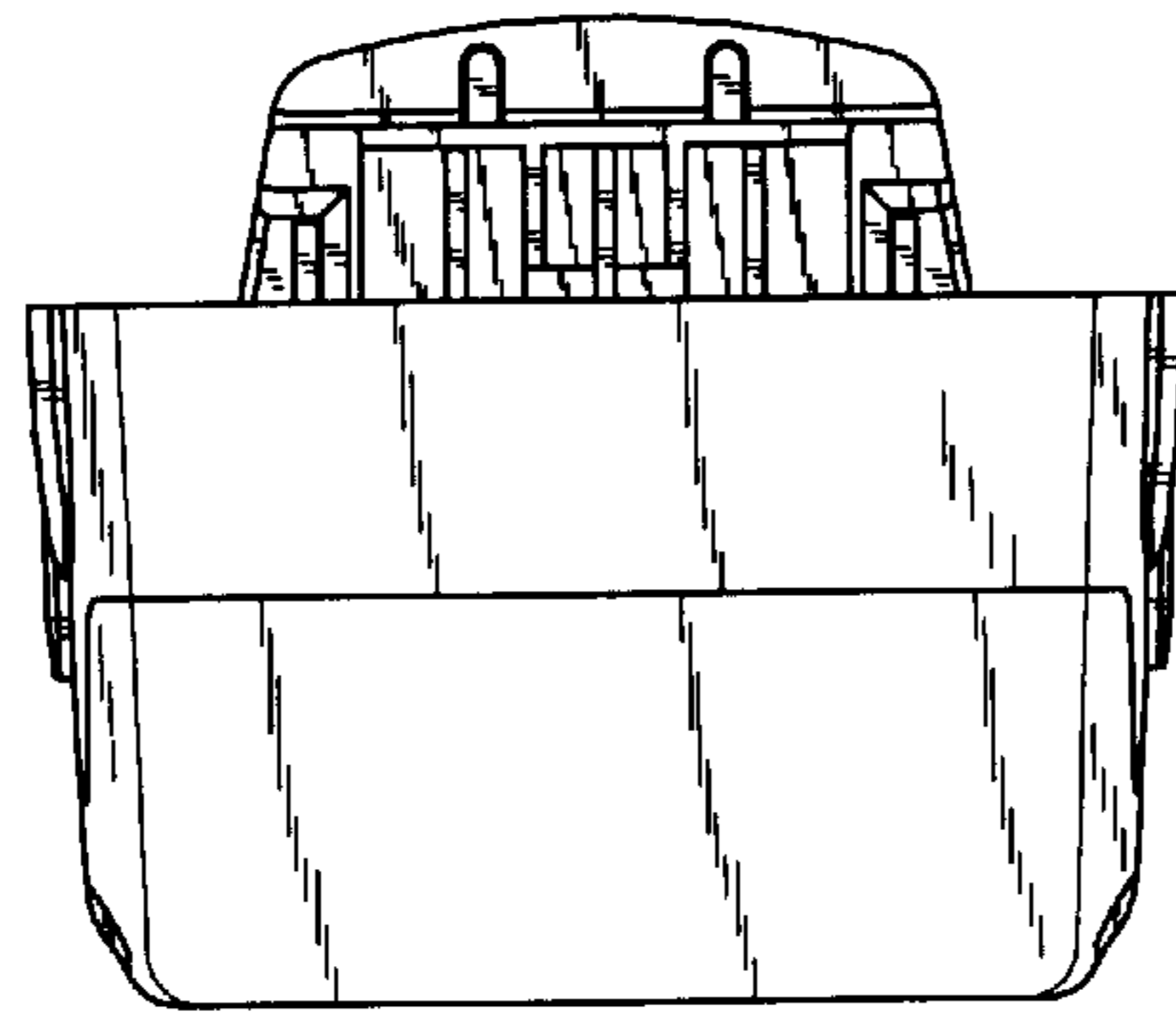


FIG. 2

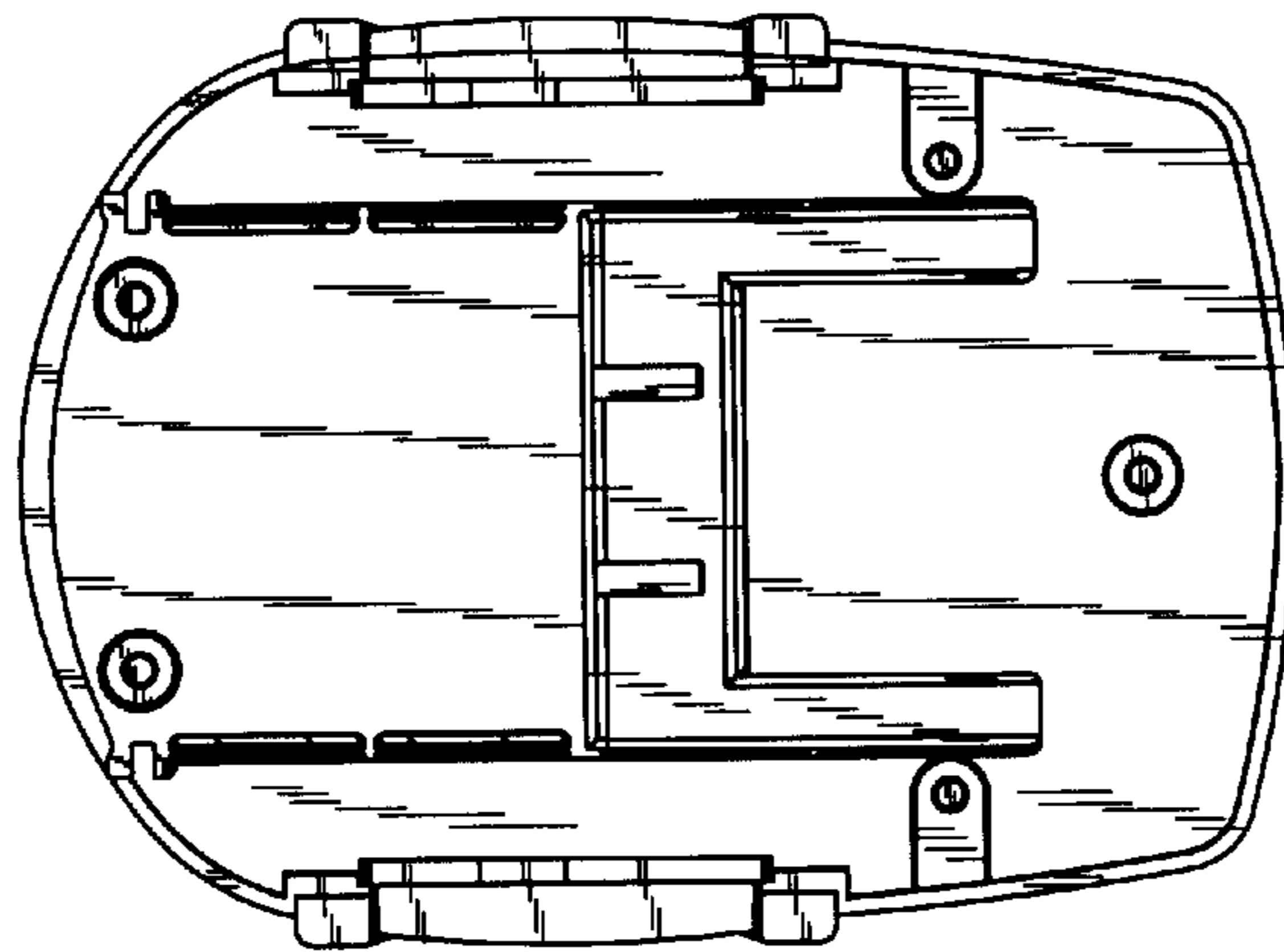


FIG. 3

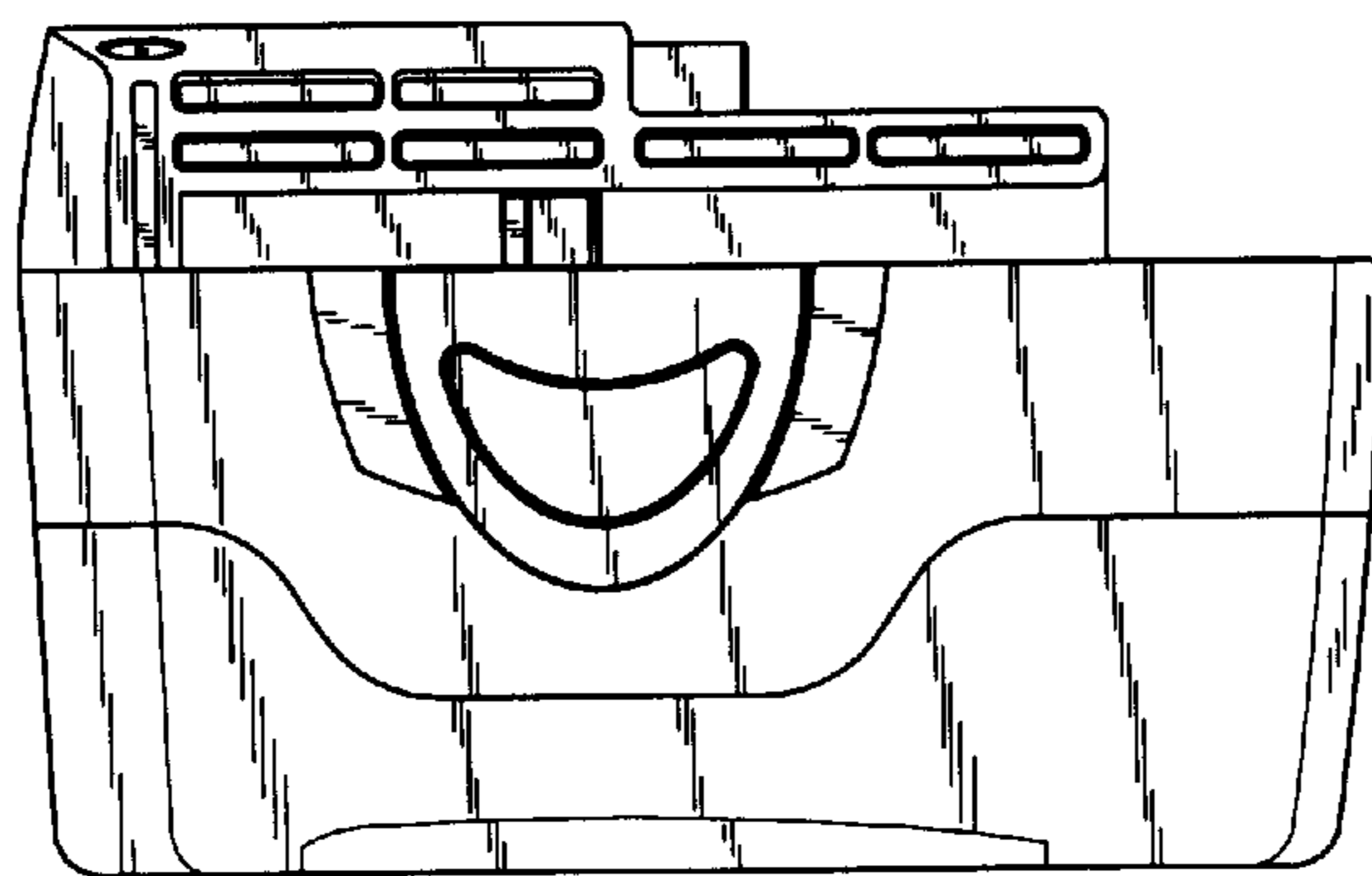


FIG. 4

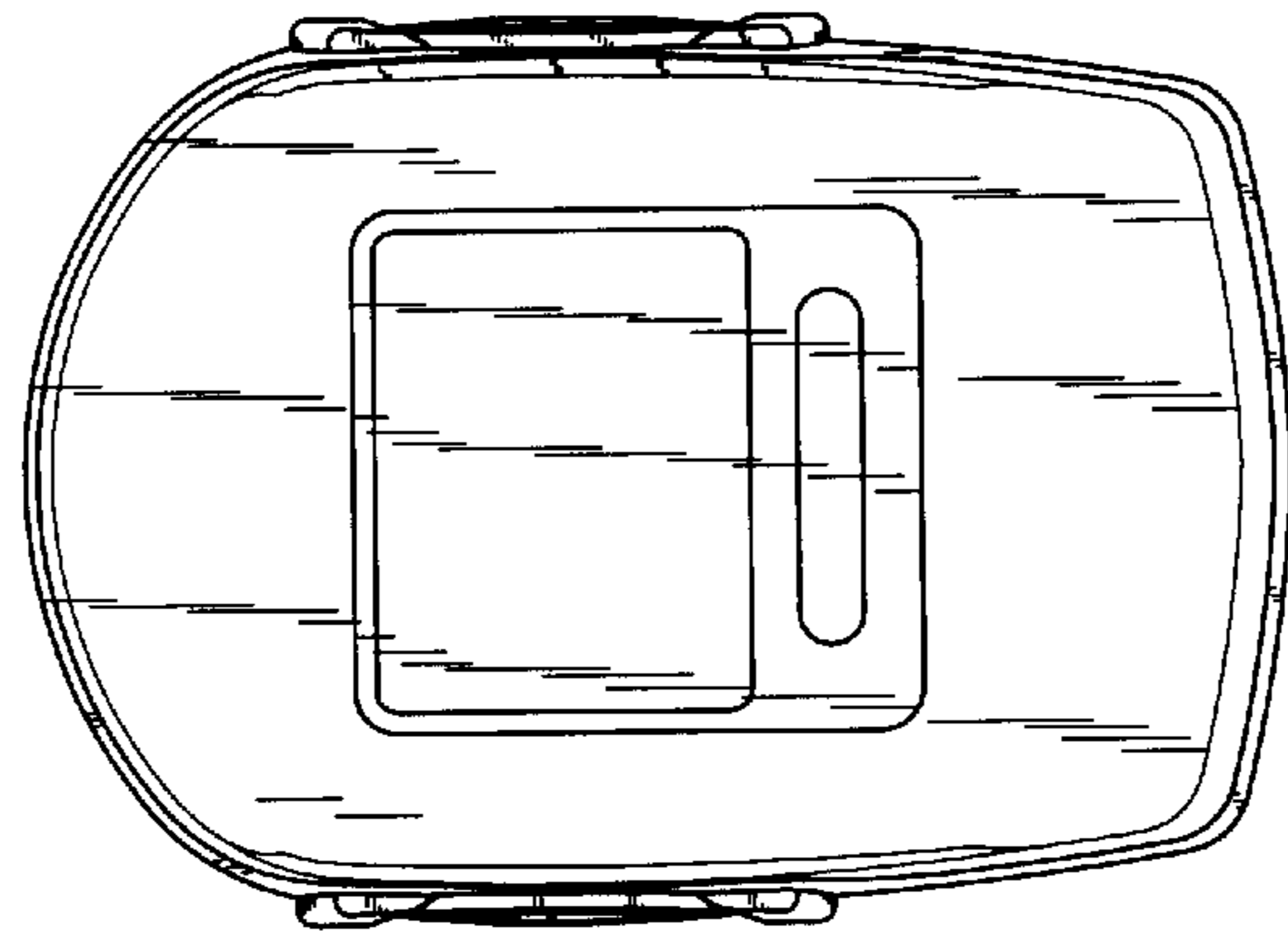


FIG. 5

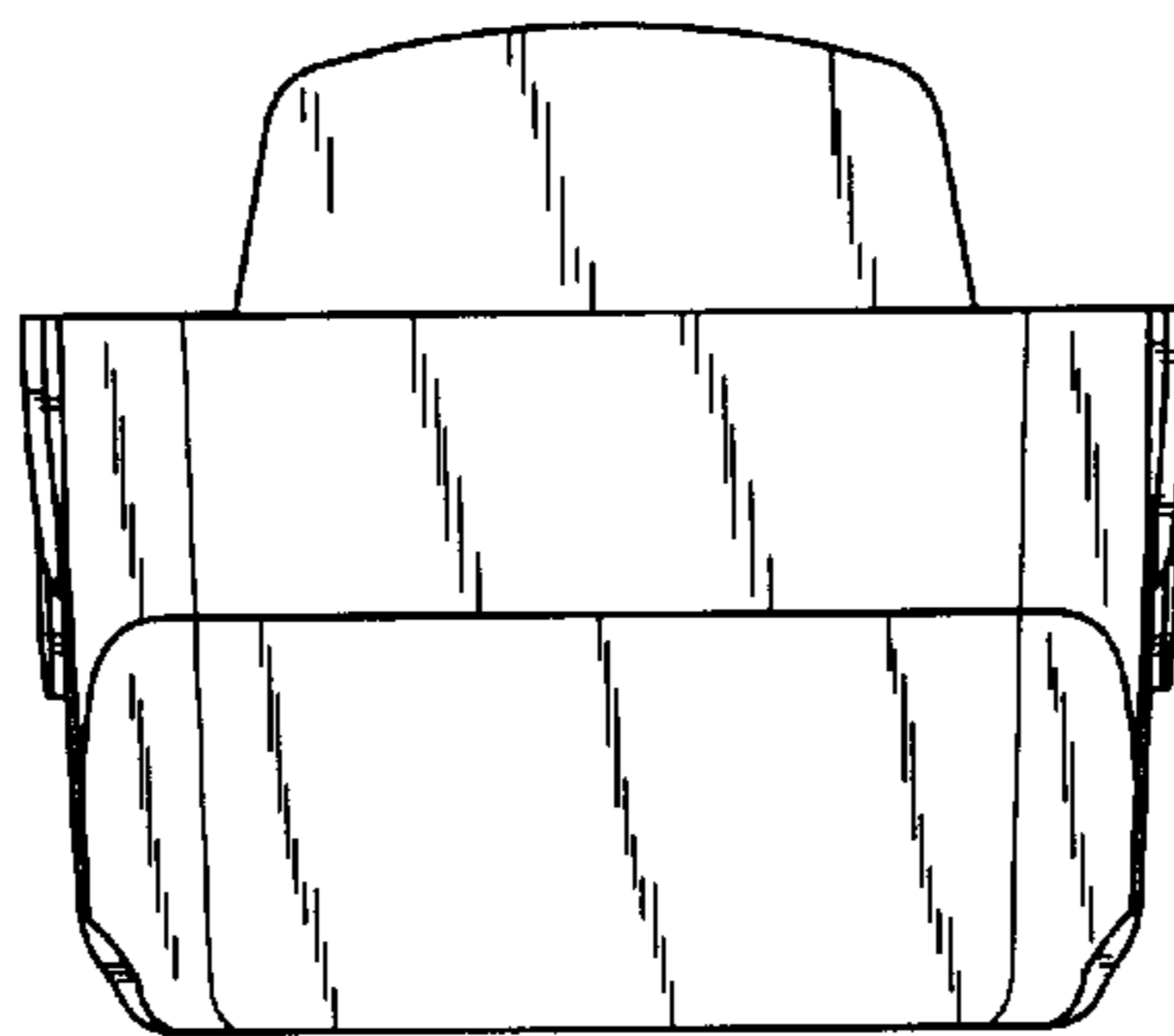


FIG. 6

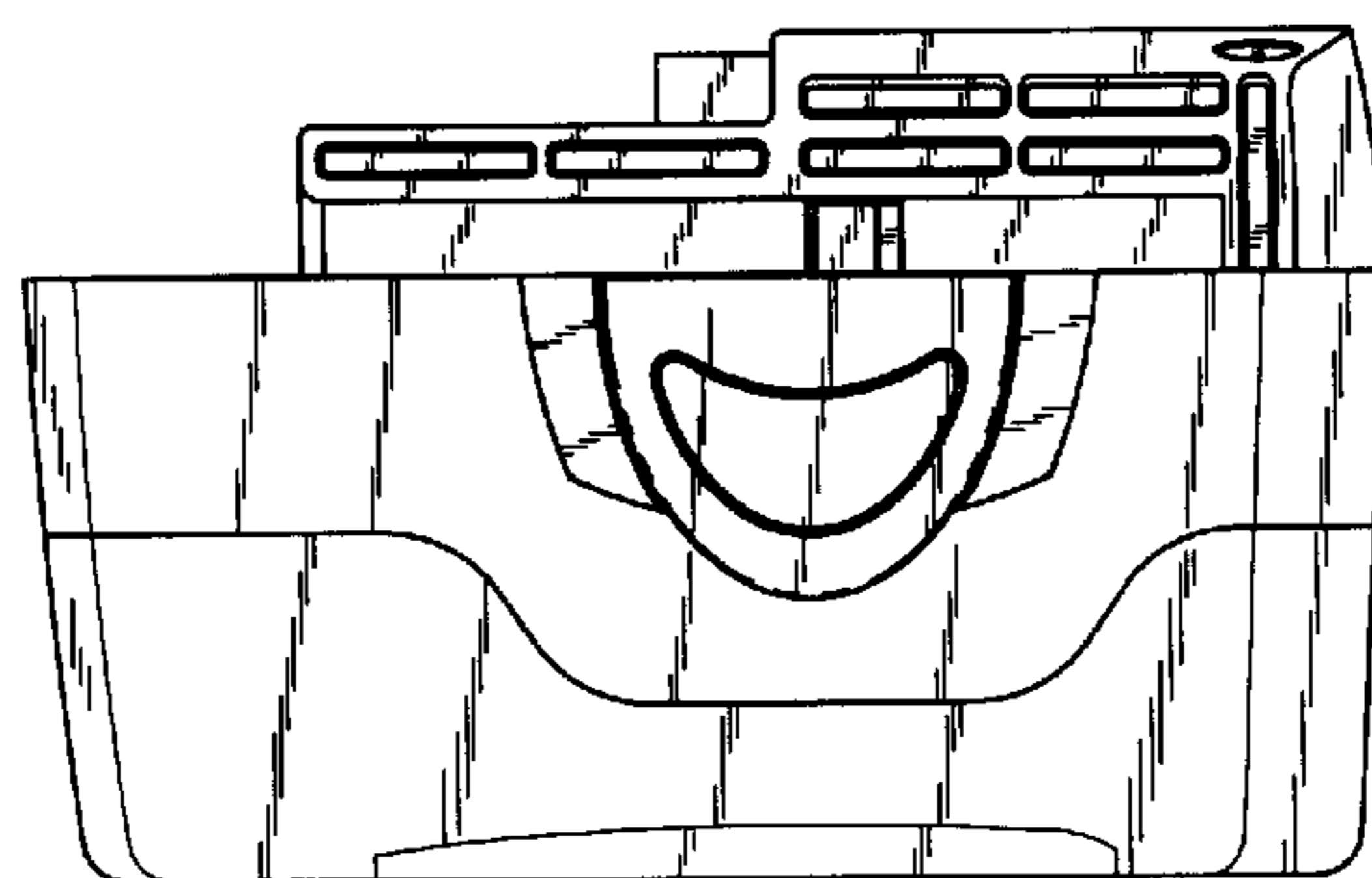


FIG. 7