



US00D511743S

(12) **United States Design Patent**
Hriscu et al.

(10) **Patent No.: US D511,743 S**

(45) **Date of Patent: ** Nov. 22, 2005**

(54) **COMPACT BATTERY CHARGER**

(75) Inventors: **Marius George Hriscu**, Vancouver (CA); **Timothy Donald Attridge**, West Vancouver (CA); **Tony Ziccardi**, Vancouver (CA); **Lawrence C. Neill**, Vancouver (CA); **Alexander Jeffrey Feldman**, Vancouver (CA); **Matthew Sean Kuzminski**, Vancouver (CA); **Robbie Gordon Roberts**, New Westminster (CA); **John Hung**, North Vancouver (CA); **Peter Tai Kwong Cheung**, Richmond (CA)

(73) Assignee: **Xantrex International**, St. Michael (BB)

(**) Term: **14 Years**

(21) Appl. No.: **29/206,895**

(22) Filed: **Jun. 7, 2004**

(51) **LOC (8) Cl. 13-02**

(52) **U.S. Cl. D13/107**

(58) **Field of Search D13/107-110, D13/118-119, 184; D14/251, 253; 320/107-115**

(56) **References Cited**

U.S. PATENT DOCUMENTS

5,019,767 A * 5/1991 Shirai et al. 320/112

D342,250 S * 12/1993 Beaumont et al. D14/142
D352,941 S * 11/1994 Bolton, Jr. D14/142
D357,457 S * 4/1995 Larson D13/110
D375,483 S * 11/1996 Tashiro D13/110
D381,622 S * 7/1997 Gorton D13/110
D383,115 S * 9/1997 Nagele et al. D13/110
D395,897 S * 7/1998 Honma et al. D14/240
D402,627 S * 12/1998 Klaus D13/110
D408,823 S * 4/1999 Kirby D14/240

* cited by examiner

Primary Examiner—Alan P. Douglas
Assistant Examiner—Rosemary Tarca

(57) **CLAIM**

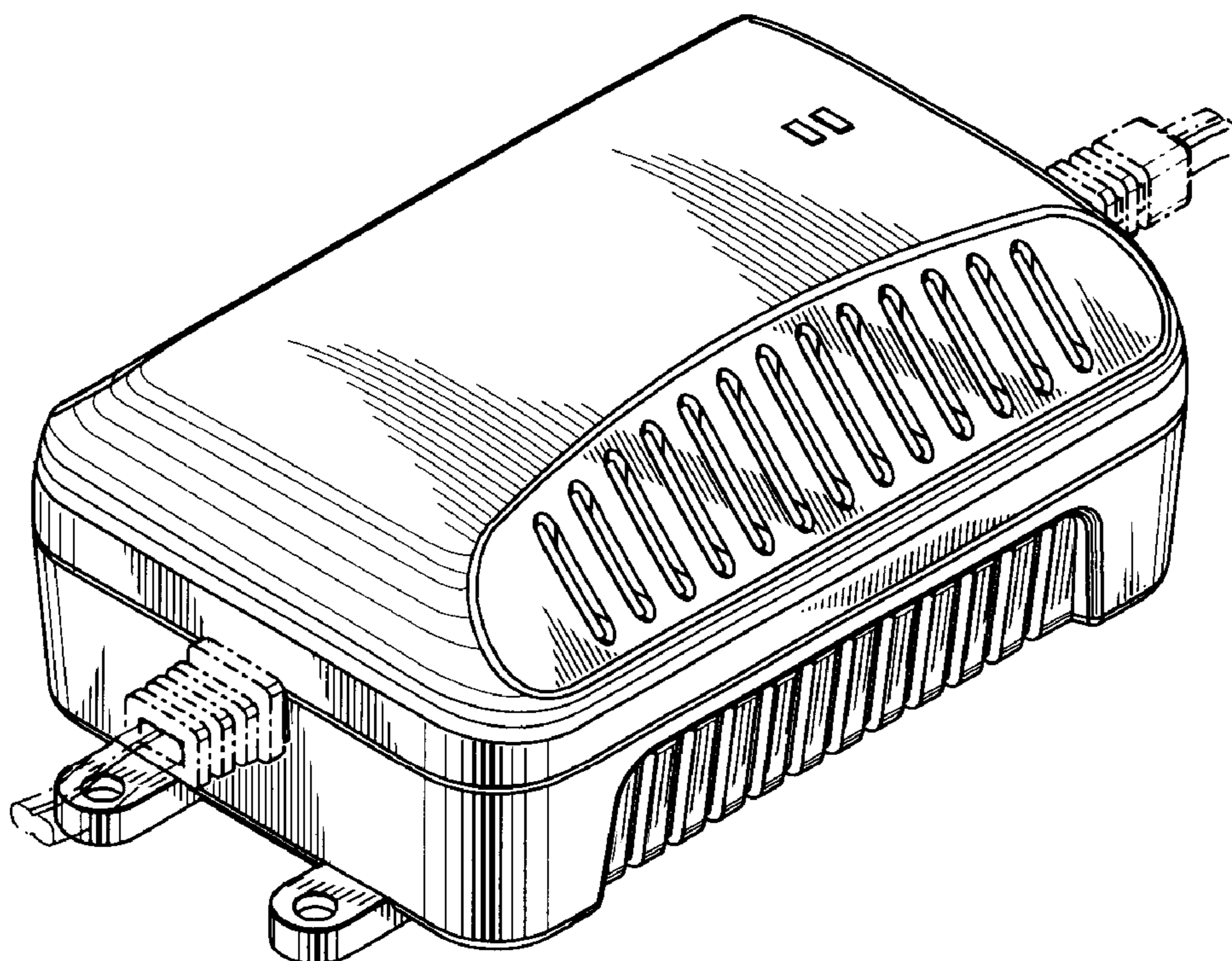
The ornamental design for a compact battery charger, as shown and described.

DESCRIPTION

FIG. 1 is a top perspective view of a compact battery charger showing our new design;
FIG. 2 is a top plan view thereof;
FIG. 3 is a right side elevational view thereof;
FIG. 4 is a left side elevational view thereof;
FIG. 5 is a front elevational view thereof;
FIG. 6 is a rear elevational view thereof; and,
FIG. 7 is a bottom plan view thereof.

The broken line showing is for illustrative purposes only and forms no part of the claimed design.

1 Claim, 3 Drawing Sheets



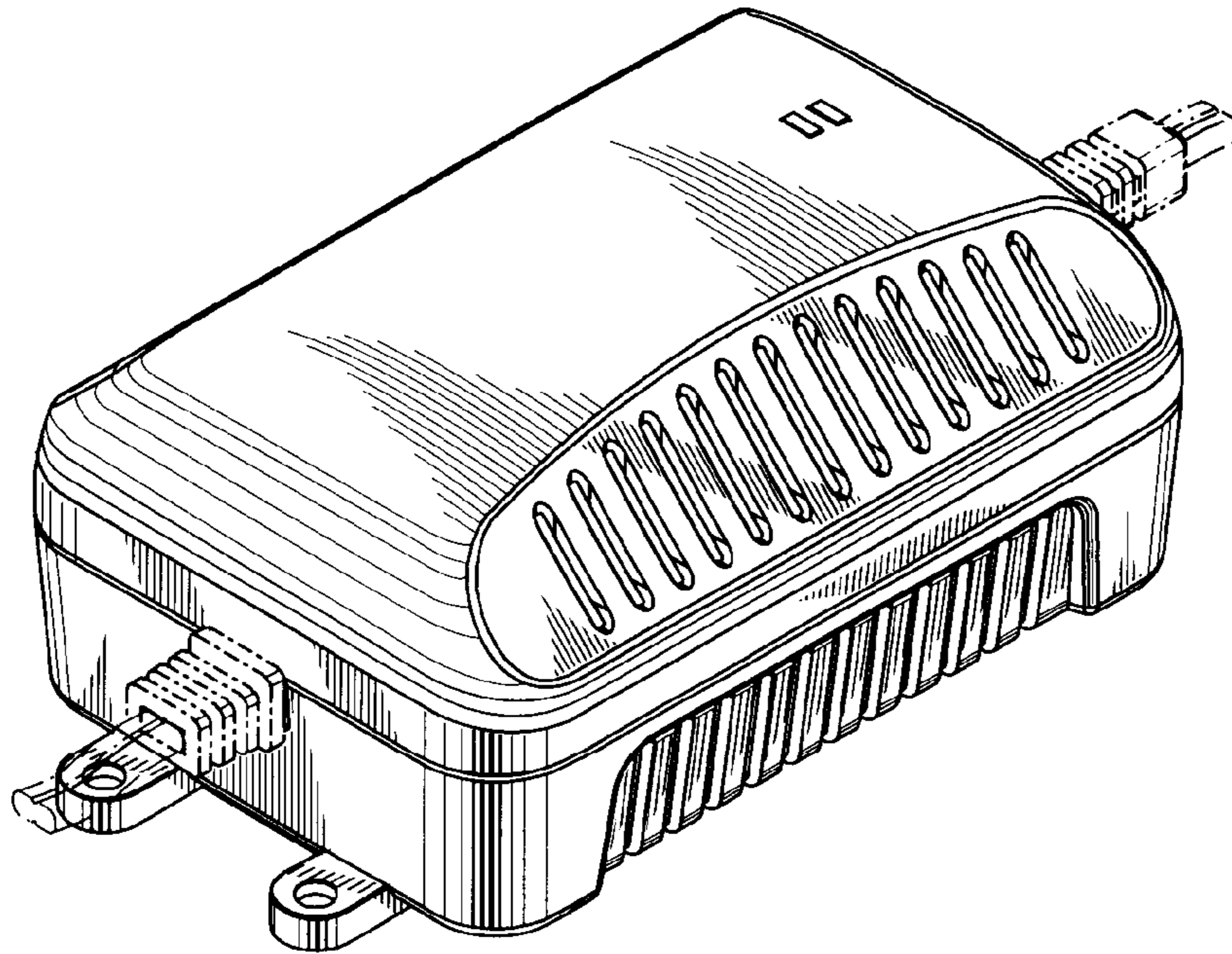


FIG. 1

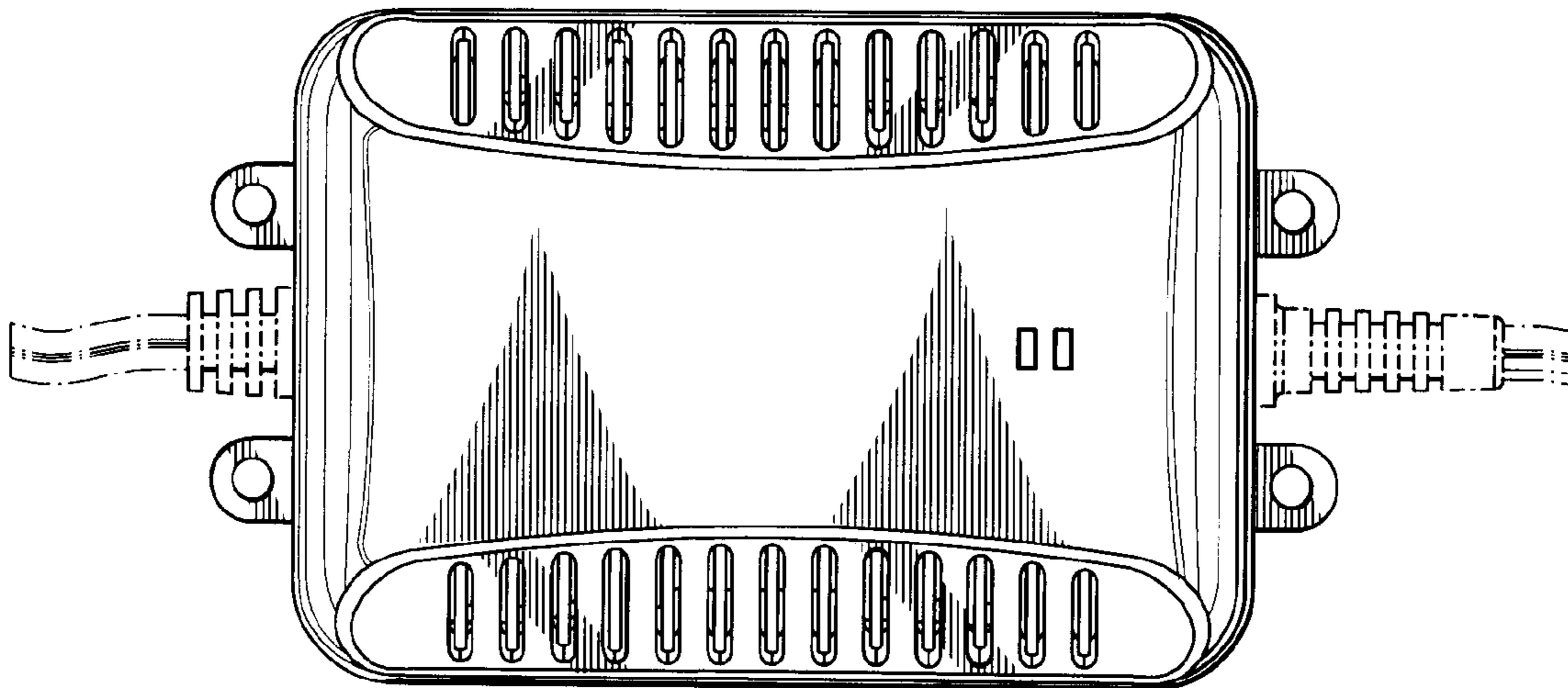


FIG. 2

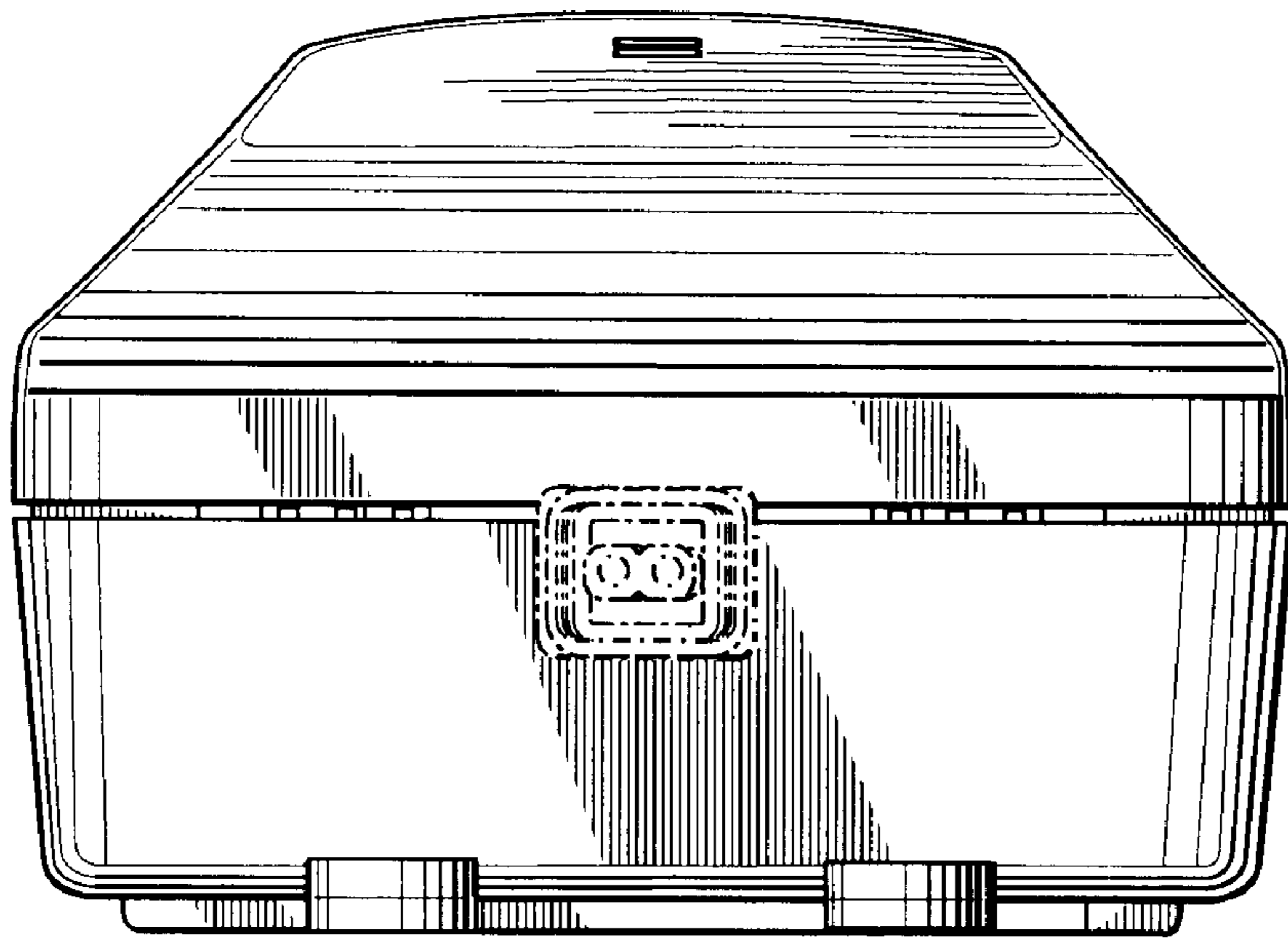


FIG. 3

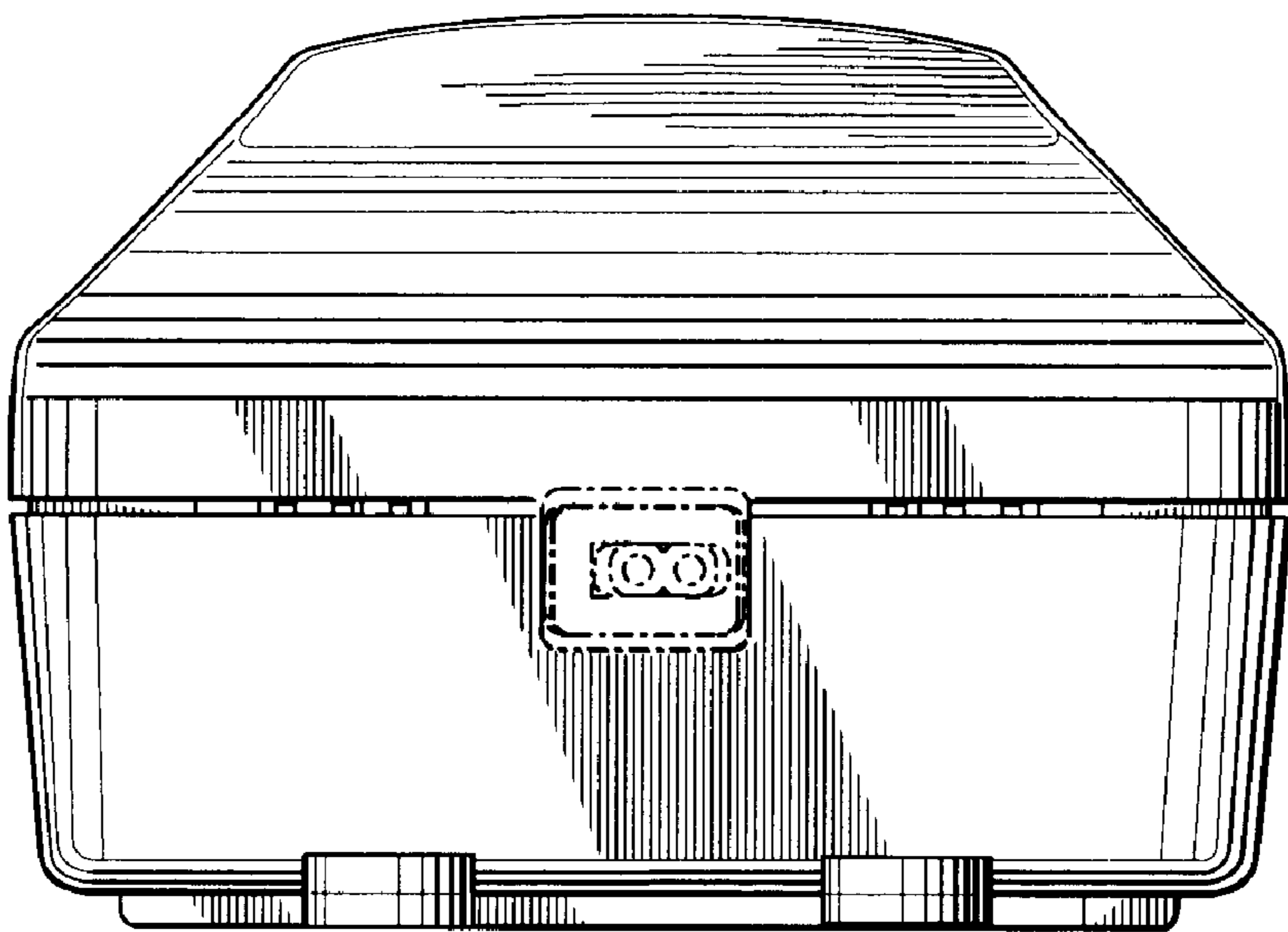


FIG. 4

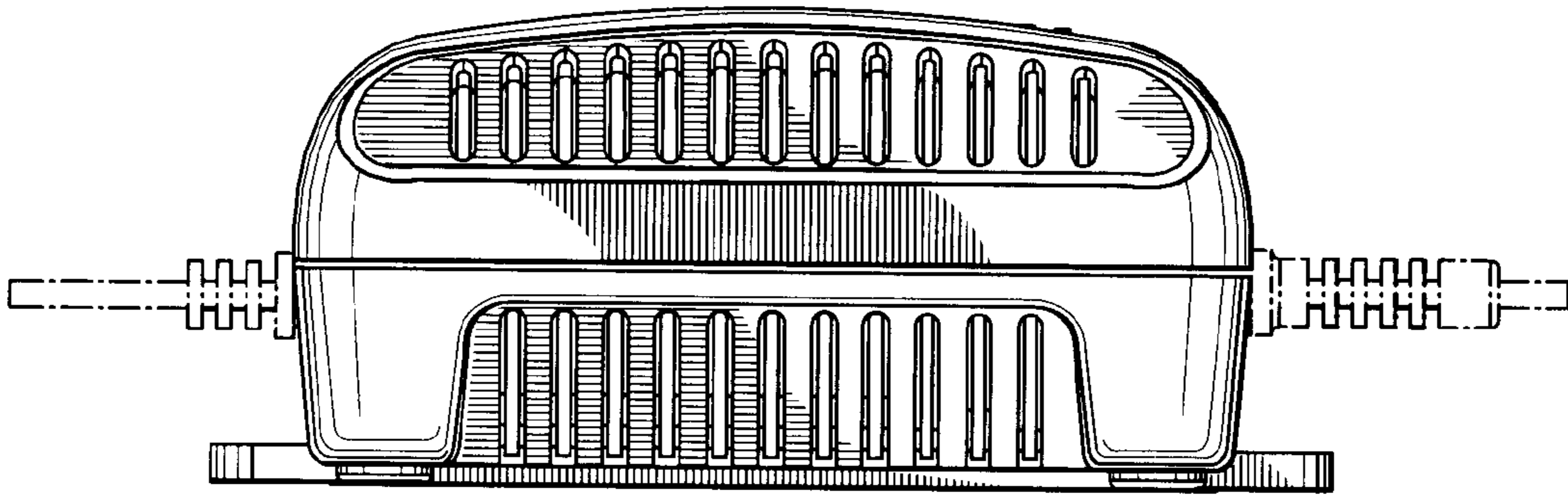


FIG. 5

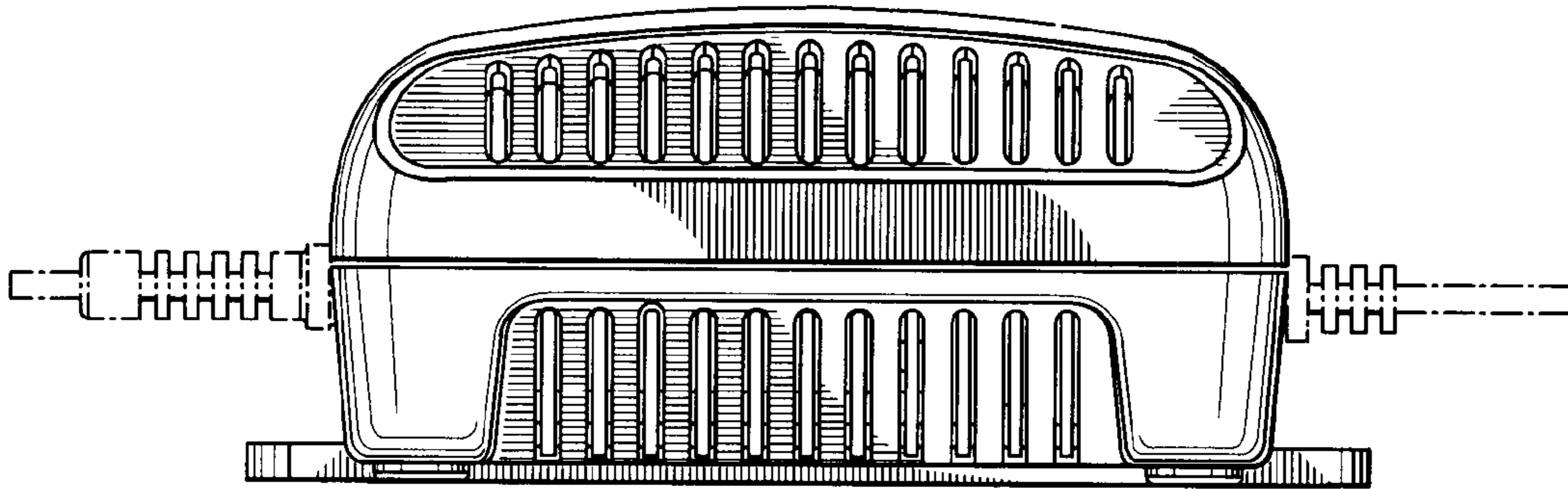


FIG. 6

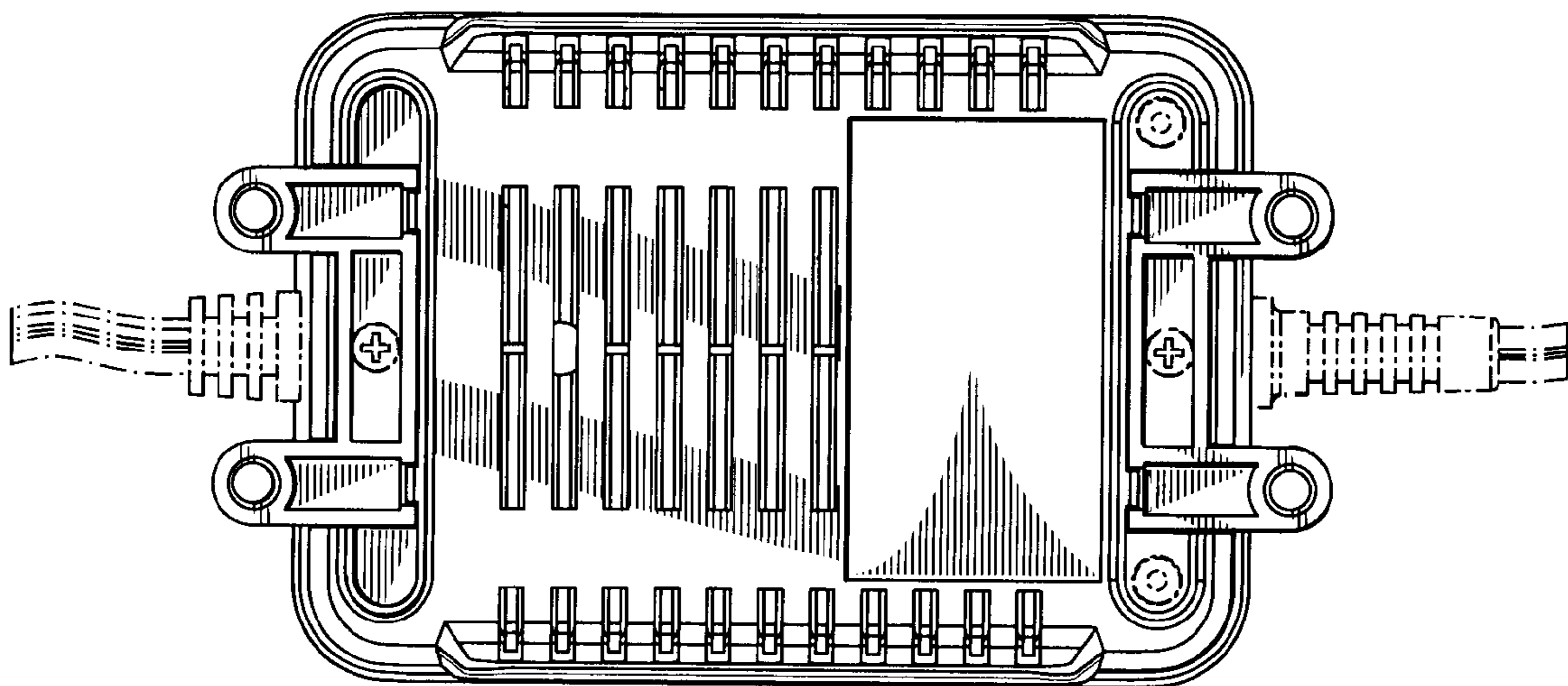


FIG. 7