



US00D511735S

(12) **United States Design Patent** (10) **Patent No.:** **US D511,735 S**
Aoyama et al. (45) **Date of Patent:** **** Nov. 22, 2005**

(54) **WIPER BLADE**

FOREIGN PATENT DOCUMENTS

(75) Inventors: **Toshiharu Aoyama**, Toyohashi (JP);
Yasushi Sugahara, Toyohashi (JP)

EP	1 256 496 A1	11/2002
JP	2003-534973	11/2003
WO	WO 01/92073 A1	12/2001

(73) Assignee: **ASMO Co., Ltd.**, Shizuoka-ken (JP)

* cited by examiner

(**) Term: **14 Years**

Primary Examiner—Stacia Cadmus
(74) *Attorney, Agent, or Firm*—Sheridan Ross P.C.

(21) Appl. No.: **29/218,883**

(57) **CLAIM**

(22) Filed: **Dec. 7, 2004**

The ornamental design for a wiper blade, as shown and described.

(30) **Foreign Application Priority Data**

Jun. 10, 2004 (JP) 2004-017311

DESCRIPTION

(51) **LOC (8) Cl.** **12-06**

(52) **U.S. Cl.** **D12/219**

(58) **Field of Search** D12/219–220;
15/250.31–250.33, 250.351, 250.38, 250.4,
250.41, 250.201, 250.451–250.454, 250.48

FIG. 1 is a perspective view of a wiper blade showing our new design;
 FIG. 2 is another perspective view thereof;
 FIG. 3 is a front view thereof;
 FIG. 4 is a rear view thereof;
 FIG. 5 is a top plan view thereof;
 FIG. 6 is a bottom plan view thereof;
 FIG. 7 is a right side elevational view thereof;
 FIG. 8 is a left side elevational view thereof;
 FIG. 9 is an enlarged view of FIG. 7;
 FIG. 10 is an enlarged view of FIG. 8;
 FIG. 11 is an enlarged cross-sectional view taken along line 11–11;
 FIG. 12 is an enlarged cross-sectional view taken along line 12–12;
 FIG. 13 is an enlarged cross-sectional view taken along line 13–13; and,
 FIG. 14 is an enlarged cross-sectional view taken along line 14–14.

(56) **References Cited**

U.S. PATENT DOCUMENTS

D236,337 S	*	8/1975	Deibel	D12/219
D308,660 S	*	6/1990	Fisher	D12/219
D380,435 S	*	7/1997	Chen	D12/219
D382,848 S	*	8/1997	Chen	D12/219
D392,612 S	*	3/1998	Jonasson et al.	D12/219
D398,281 S	*	9/1998	Juran et al.	D12/219
5,970,570 A	*	10/1999	Groninger	15/250.451
D418,103 S	*	12/1999	Don	D12/219
D430,097 S	*	8/2000	Breesch et al.	D12/219
D443,245 S	*	6/2001	Kim	D12/219
6,314,608 B1	*	11/2001	Fisher et al.	15/250.451
D490,763 S	*	6/2004	Kim	D12/219
2002/0133897 A1		9/2002	De Block et al.		

1 Claim, 4 Drawing Sheets

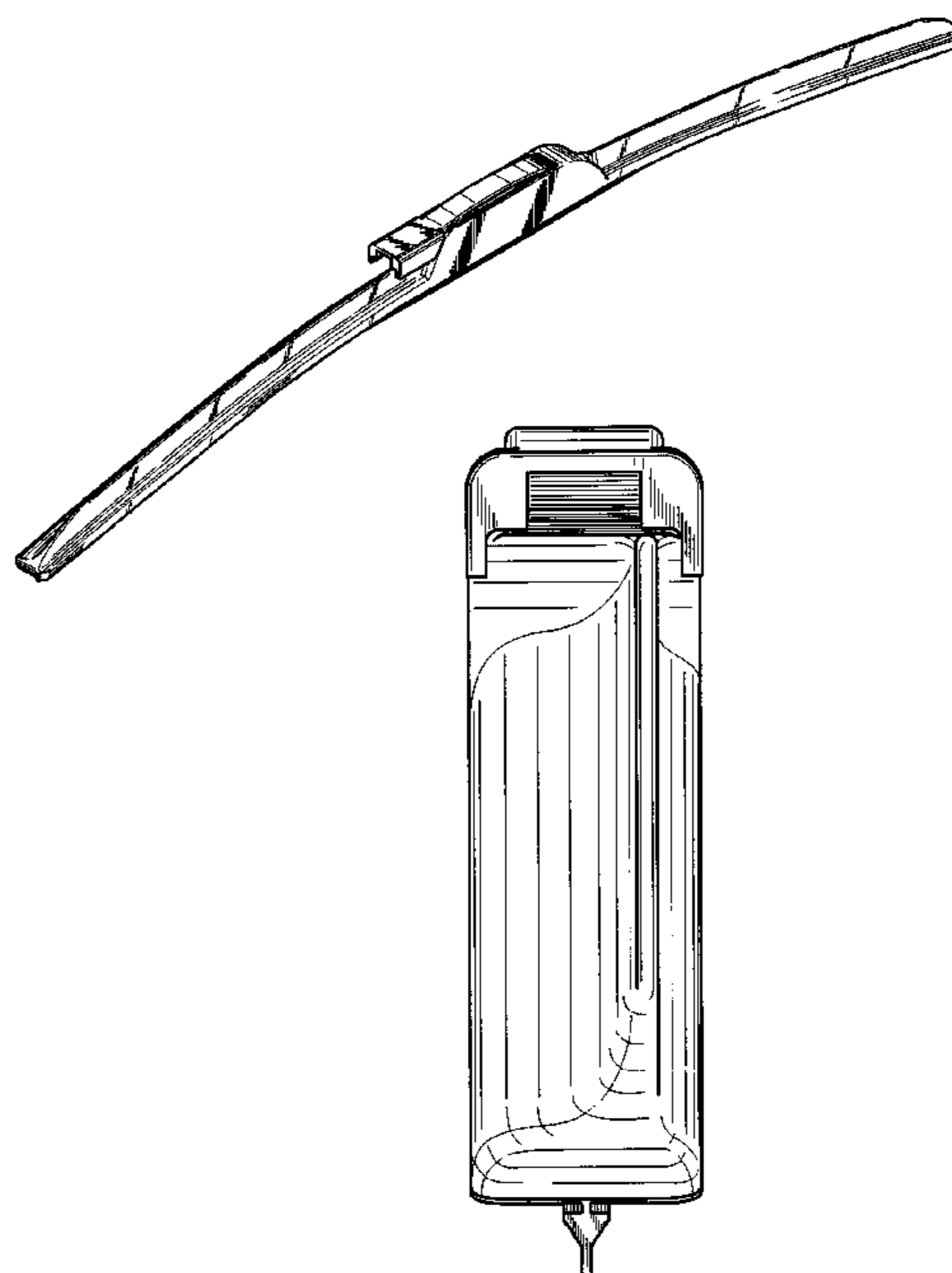


FIG. 1

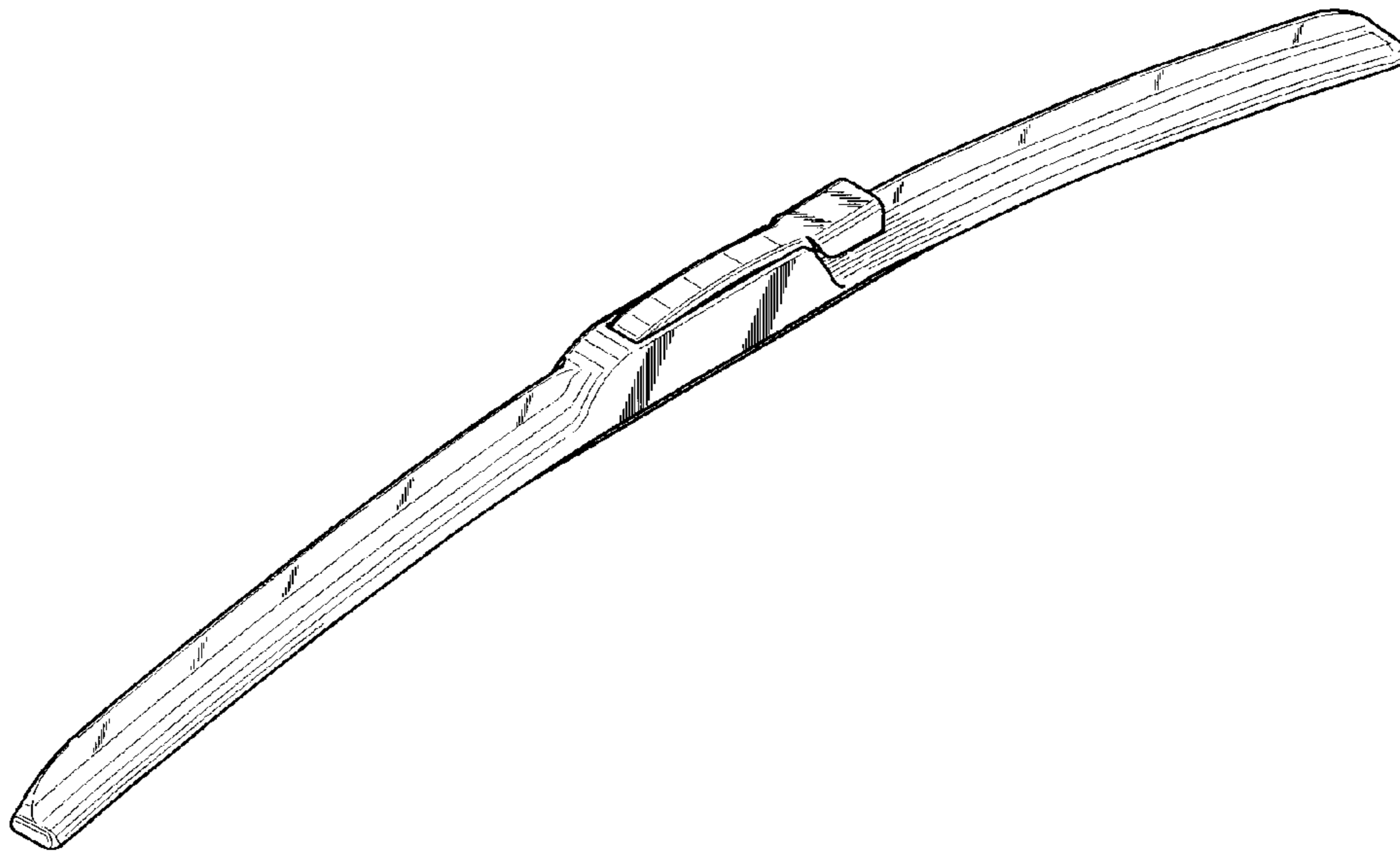


FIG. 2

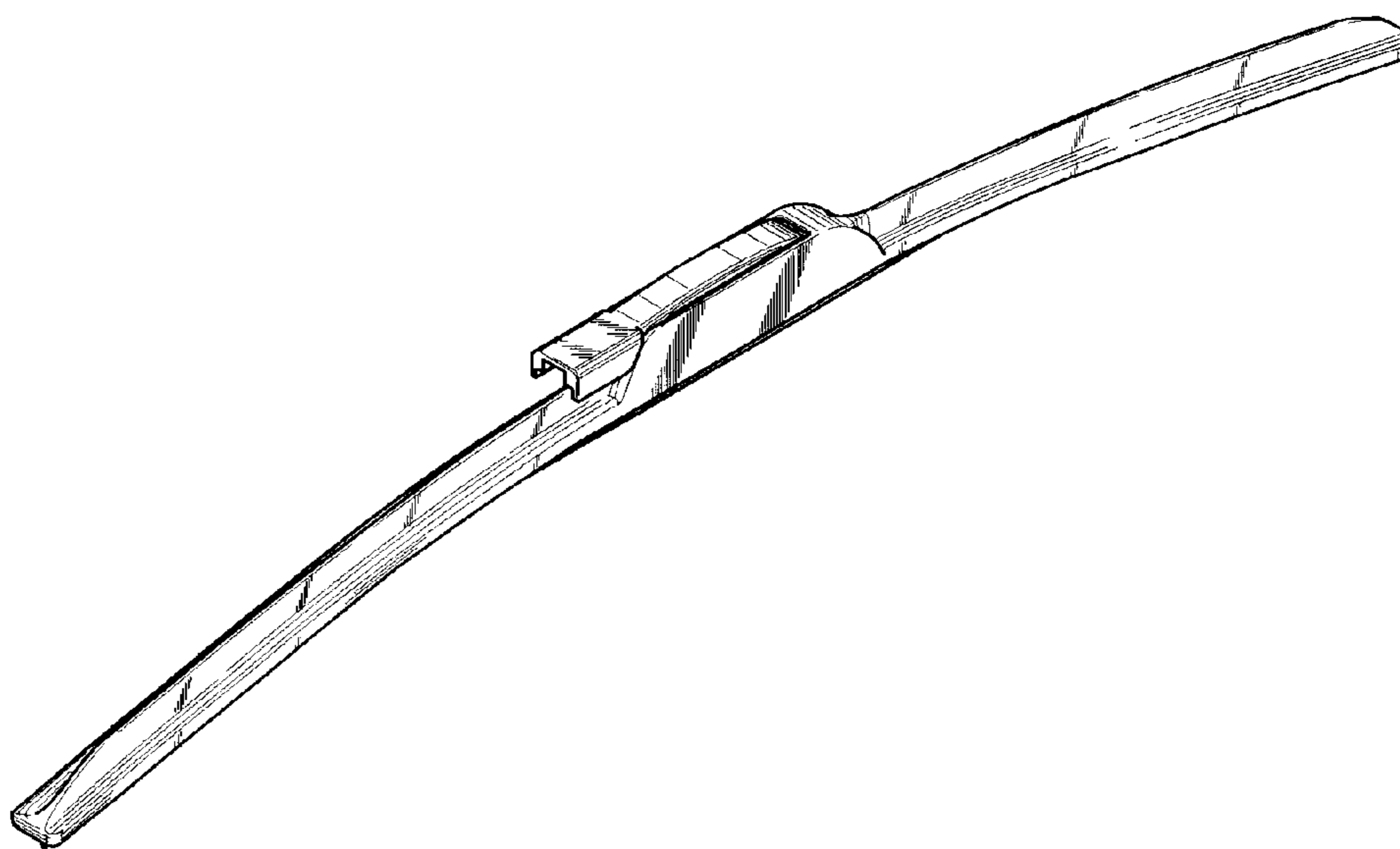


FIG. 3

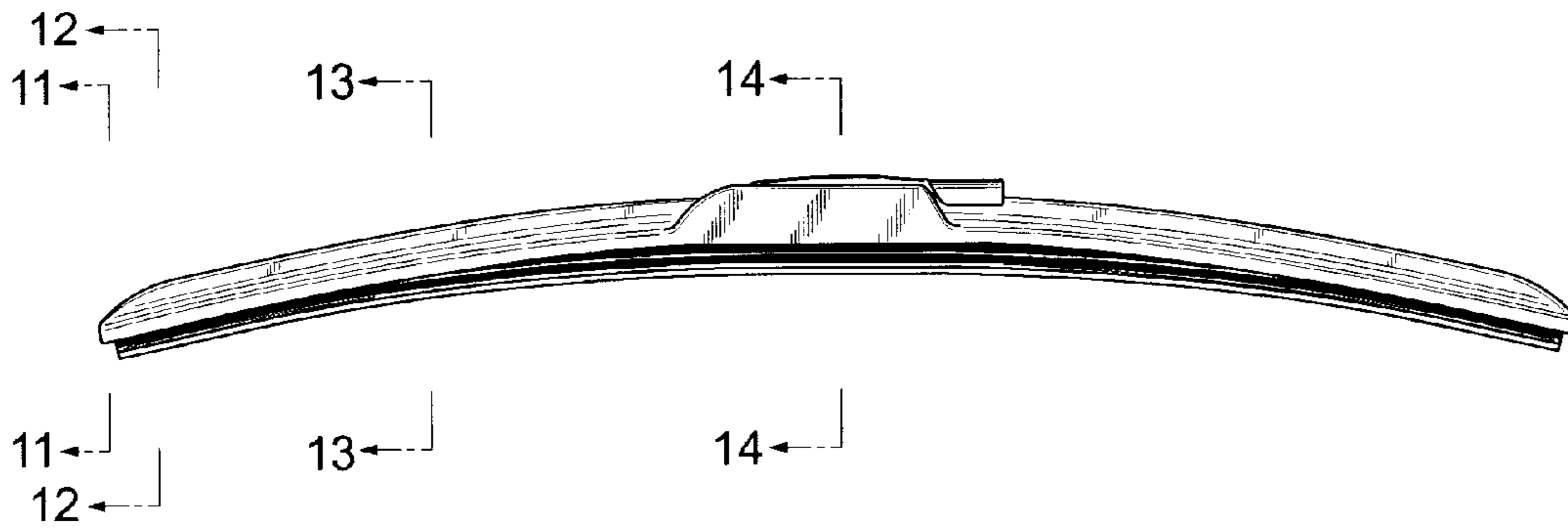


FIG. 4

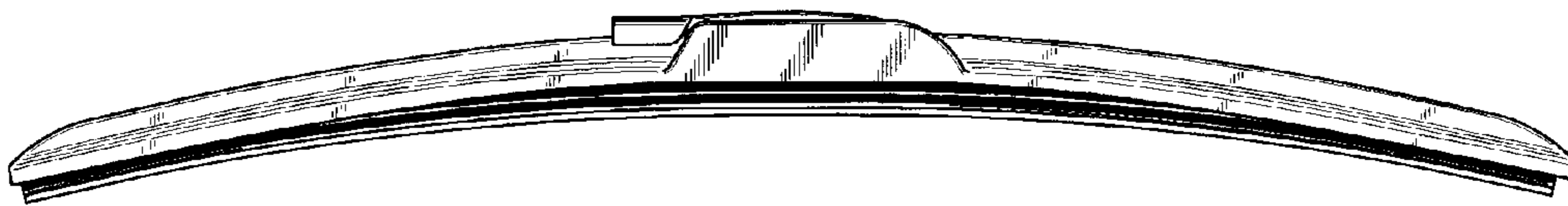


FIG. 5

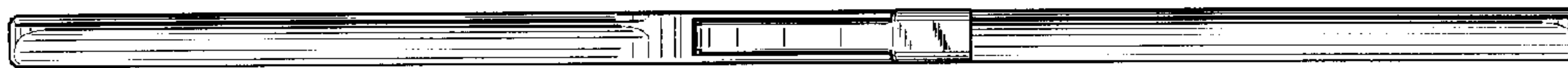


FIG. 6



FIG. 7



FIG. 8



FIG. 9

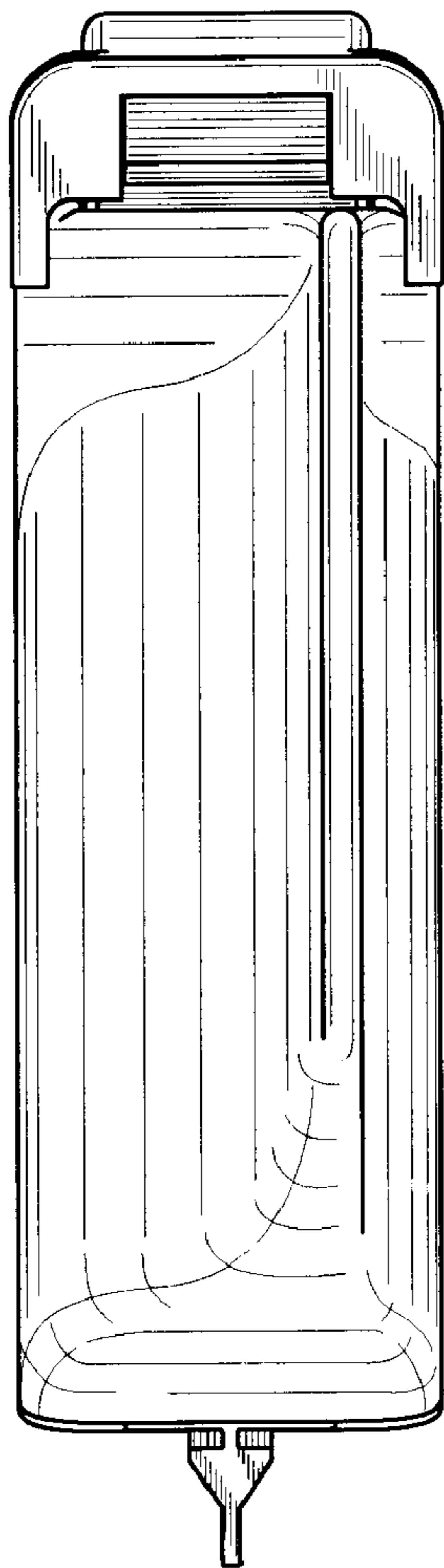


FIG. 10

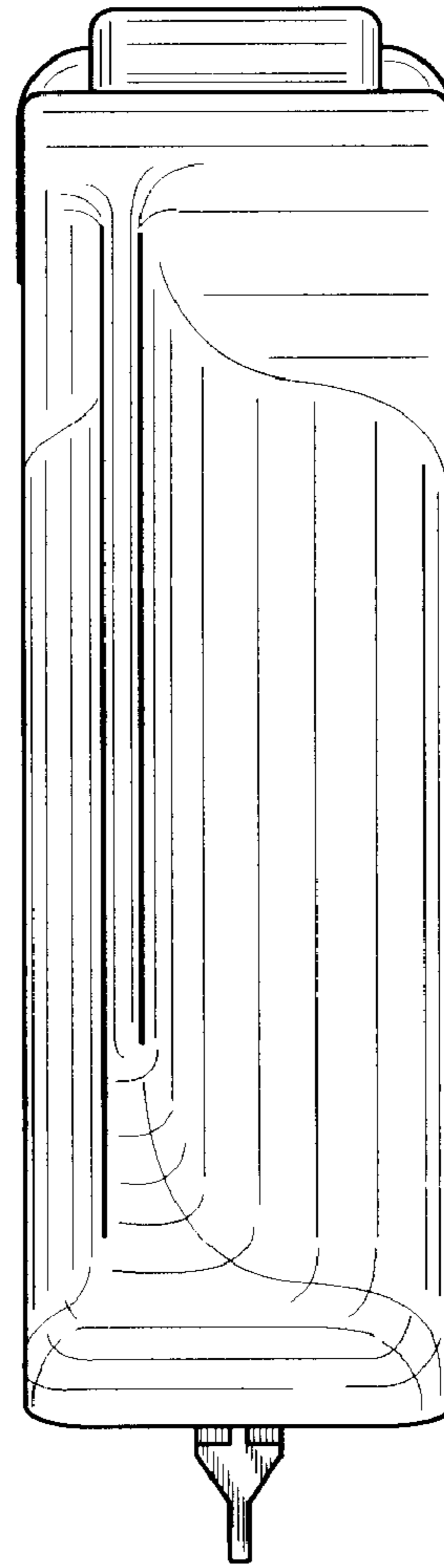


FIG. 11

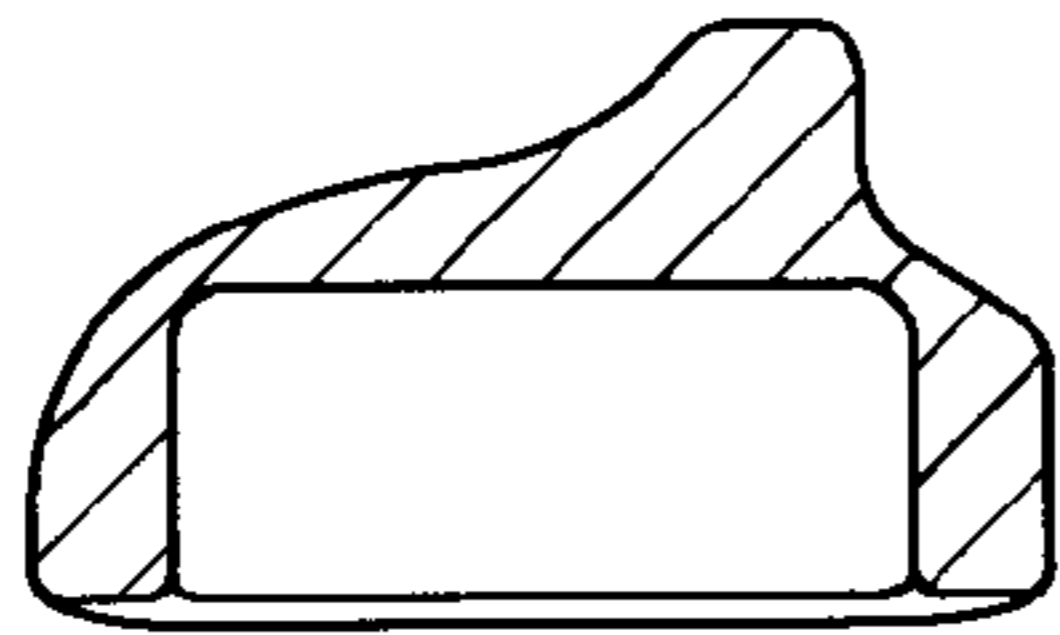


FIG. 12

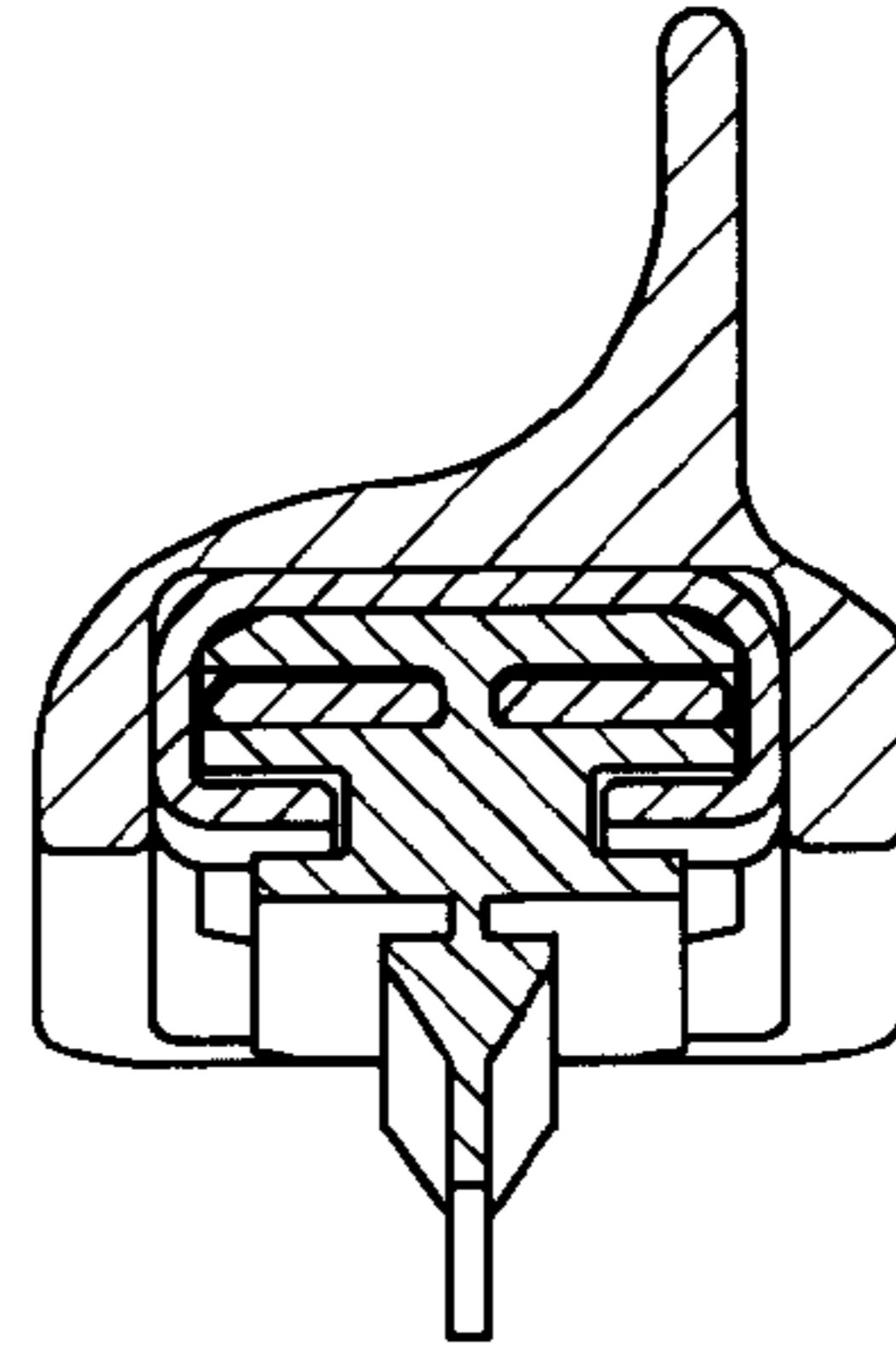


FIG. 14

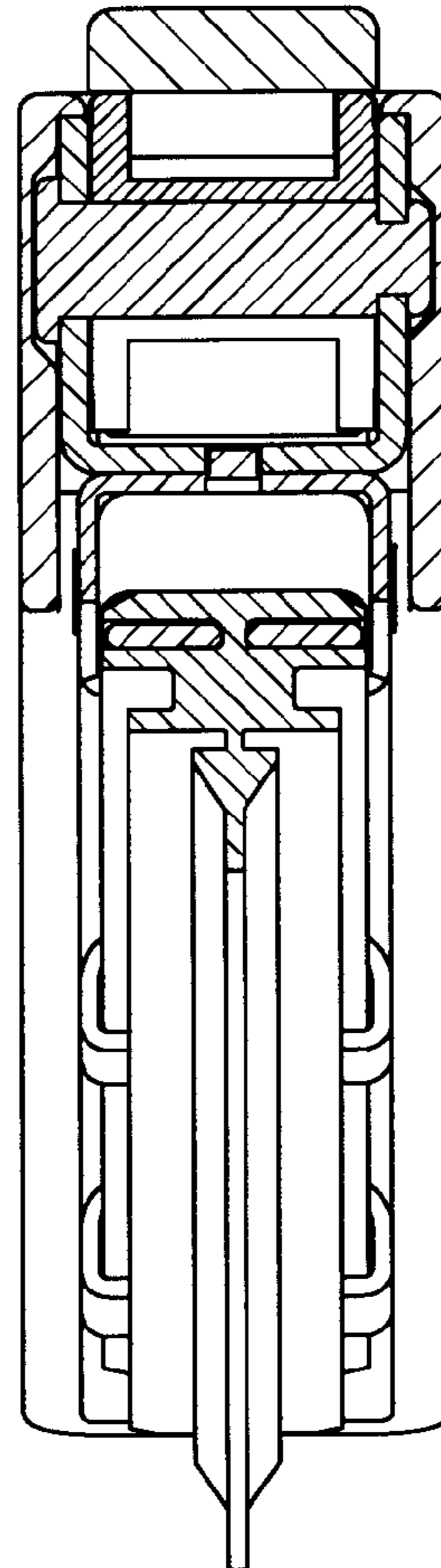


FIG. 13

