



US00D511733S

(12) **United States Design Patent**
van Hooydonk

(10) **Patent No.:** **US D511,733 S**

(45) **Date of Patent:** **** Nov. 22, 2005**

(54) **FRONT FACE OF A VEHICLE WHEEL**

(75) **Inventor:** **Adrian van Hooydonk, Malibu, CA**
(US)

(73) **Assignee:** **Bayerische Motoren Werke**
Aktiengesellschaft, Munich (DE)

(**) **Term:** **14 Years**

(21) **Appl. No.:** **29/188,663**

(22) **Filed:** **Aug. 22, 2003**

(30) **Foreign Application Priority Data**

Feb. 25, 2003 (DE) 403 01 698

(51) **LOC (8) Cl.** **12-16**

(52) **U.S. Cl.** **D12/209**

(58) **Field of Search** D12/204-213;
301/37.101, 64.101, 65

(56) **References Cited**

U.S. PATENT DOCUMENTS

D432,480 S * 10/2000 Chung D12/209
D434,712 S * 12/2000 Chung D12/209

D452,209 S * 12/2001 Chung D12/209
D463,350 S * 9/2002 Lee D12/211
D471,144 S * 3/2003 Pfeiffer D12/209
D471,500 S * 3/2003 Kataoka D12/209
D494,523 S * 8/2004 Koenigsberg D12/209

FOREIGN PATENT DOCUMENTS

WO DM/052092 8/2000

* cited by examiner

Primary Examiner—Stacia Cadmus

(74) *Attorney, Agent, or Firm*—Crowell & Moring LLP

(57) **CLAIM**

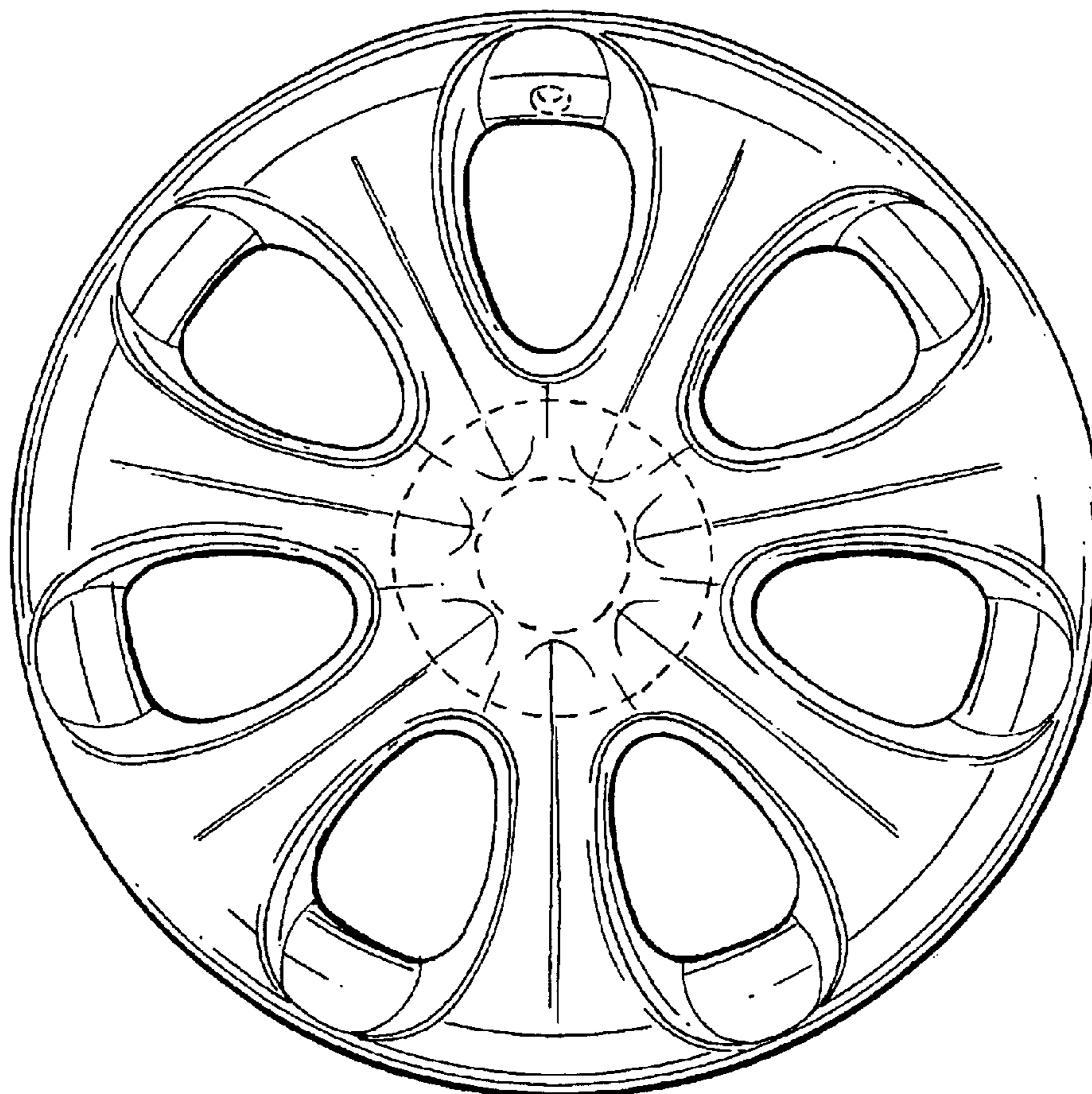
The ornamental design for a front face of a vehicle wheel,
as shown and described.

DESCRIPTION

FIG. 1 is a front view of a front face of a vehicle wheel
according to my novel design; and,
FIG. 2 is a perspective view of the front face of a vehicle
wheel according to my novel design.

The broken lines are for illustrative purposes only and form
no part of the claimed design.

1 Claim, 1 Drawing Sheet



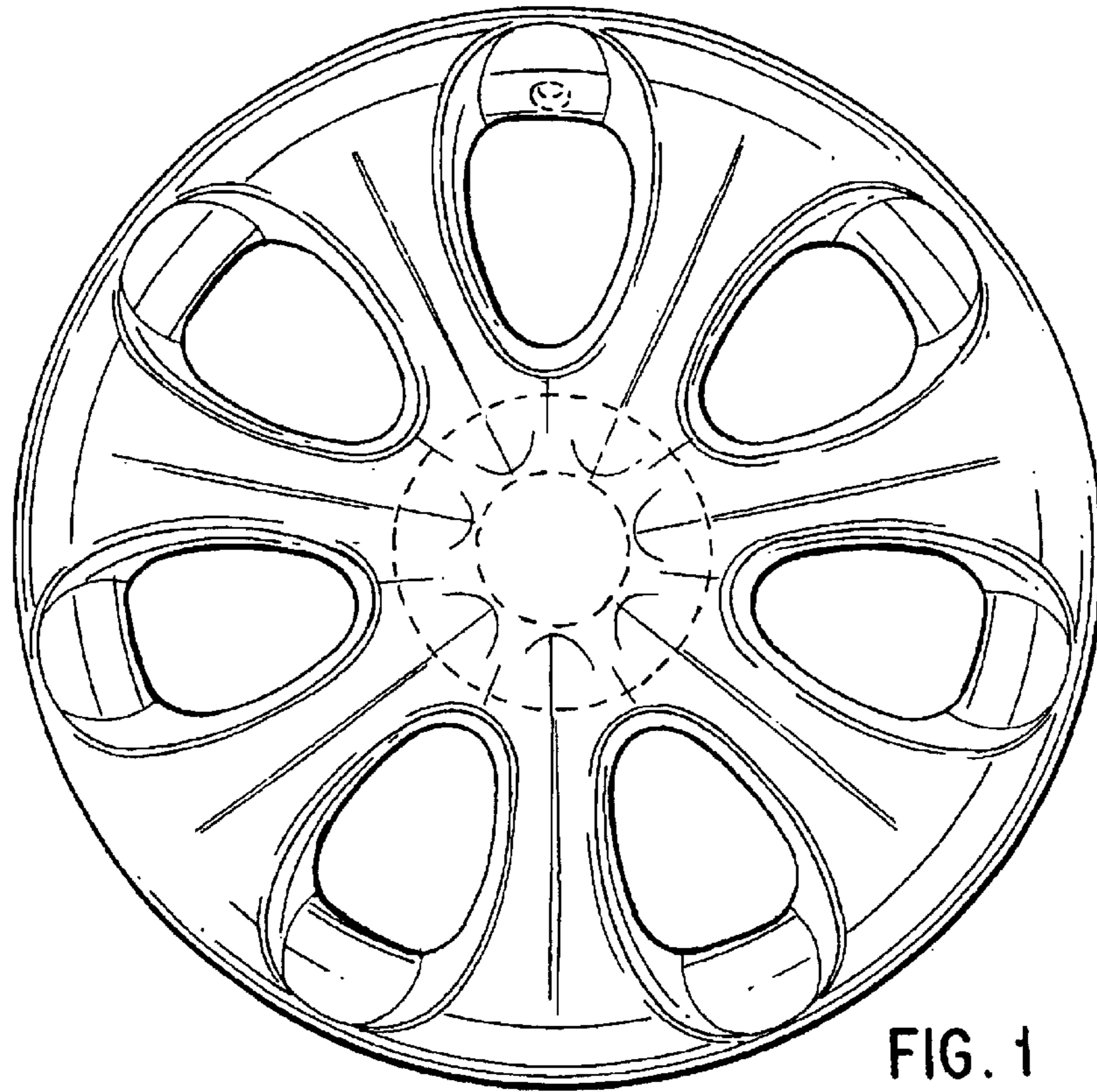


FIG. 1

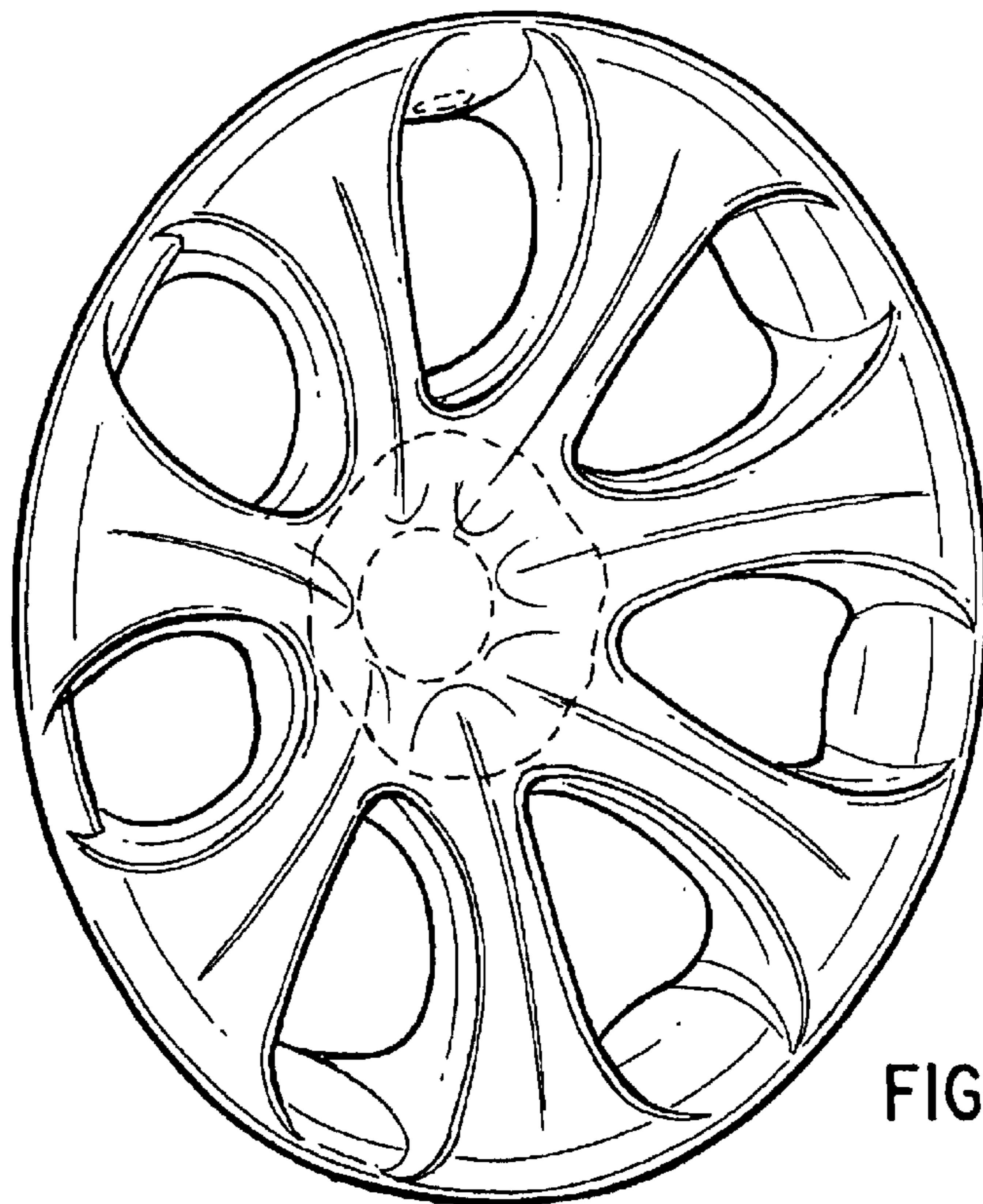


FIG. 2