



US00D511728S

(12) **United States Design Patent**
Rex

(10) **Patent No.: US D511,728 S**

(45) **Date of Patent: ** Nov. 22, 2005**

(54) **VEHICULAR BODY KIT**

D490,020 S * 5/2004 Kim D12/91

(75) Inventor: **William J. Rex**, Canyon Country, CA
(US)

* cited by examiner

(73) Assignee: **Rexhall Industries, Inc.**, Lancaster, CA
(US)

Primary Examiner—Melody N. Brown

(74) *Attorney, Agent, or Firm*—Stetina Brunda Garred &
Brucker

(**) Term: **14 Years**

(57) **CLAIM**

The ornamental design for a vehicular body kit, as shown
and described.

(21) Appl. No.: **29/209,553**

(22) Filed: **Jul. 16, 2004**

DESCRIPTION

(51) **LOC (8) Cl.** **12-16**

(52) **U.S. Cl.** **D12/190; D12/196**

(58) **Field of Search** D12/190, 90-92,
D12/86, 196, 181, 183, 203; 296/192-197,
180.1

FIG. 1 is a front perspective view of the vehicular body kit
showing my new design, the vehicle depicted in phantom
forming no part of the claimed design;

FIG. 2 is a rear perspective view thereof;

FIG. 3 is a left side elevational view thereof, the right side
elevational view being a mirror image of the left side
elevational view;

FIG. 4 is a front elevational view thereof;

FIG. 5 is a rear elevational view thereof;

FIG. 6 is a top plan view thereof; and,

FIG. 7 is a front perspective view thereof.

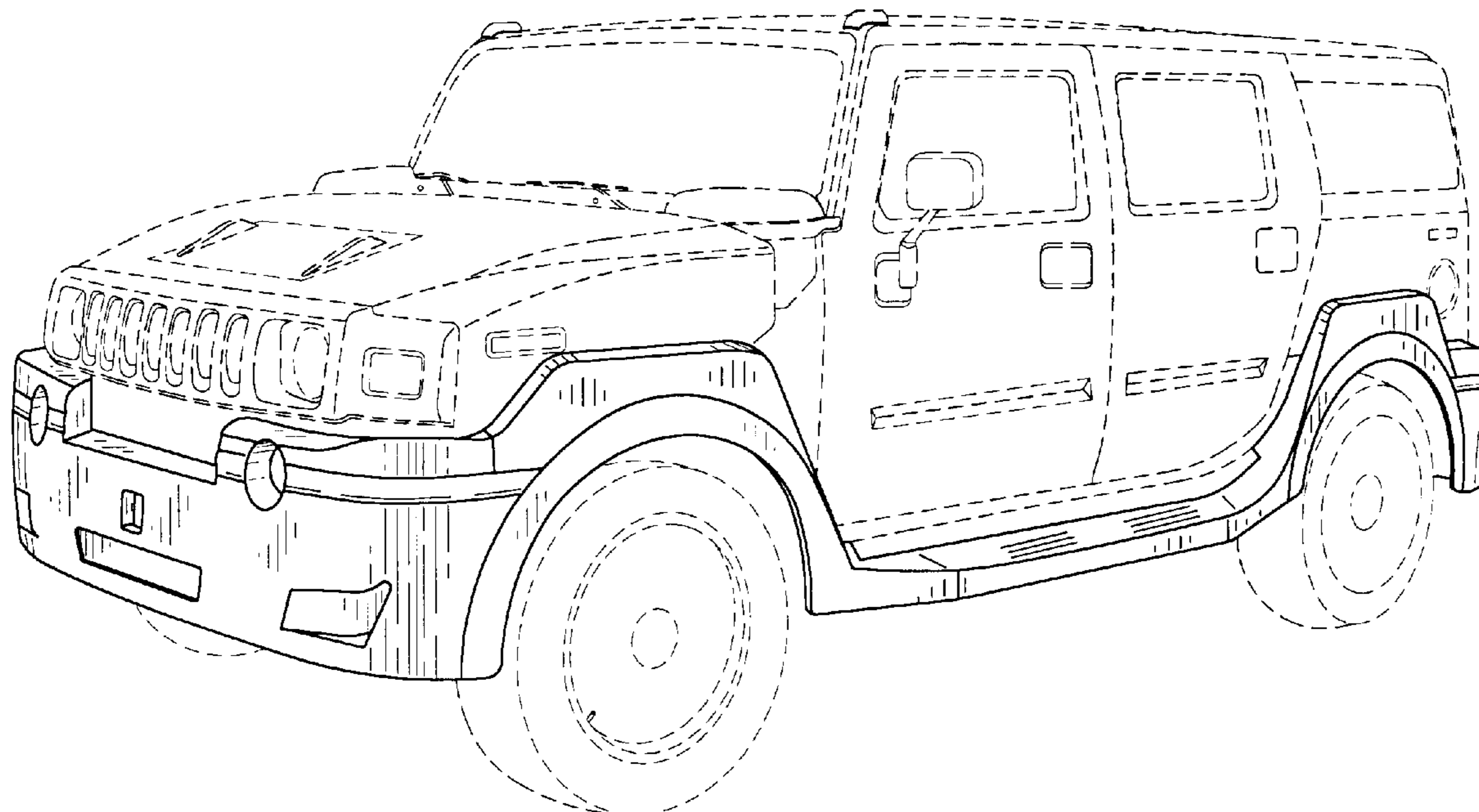
The inner surfaces of the vehicular body kit which normally
abut the vehicle do form part of the claimed design.

(56) **References Cited**

U.S. PATENT DOCUMENTS

D333,118 S	*	2/1993	Stauffer	D12/190
D431,509 S	*	10/2000	Lund	D12/190
D438,497 S	*	3/2001	Yokomaku	D12/190
D446,758 S	*	8/2001	Tampi	D12/190
D453,314 S	*	2/2002	Longfellow	D12/190
D461,753 S	*	8/2002	Yokomaku	D12/190

1 Claim, 3 Drawing Sheets



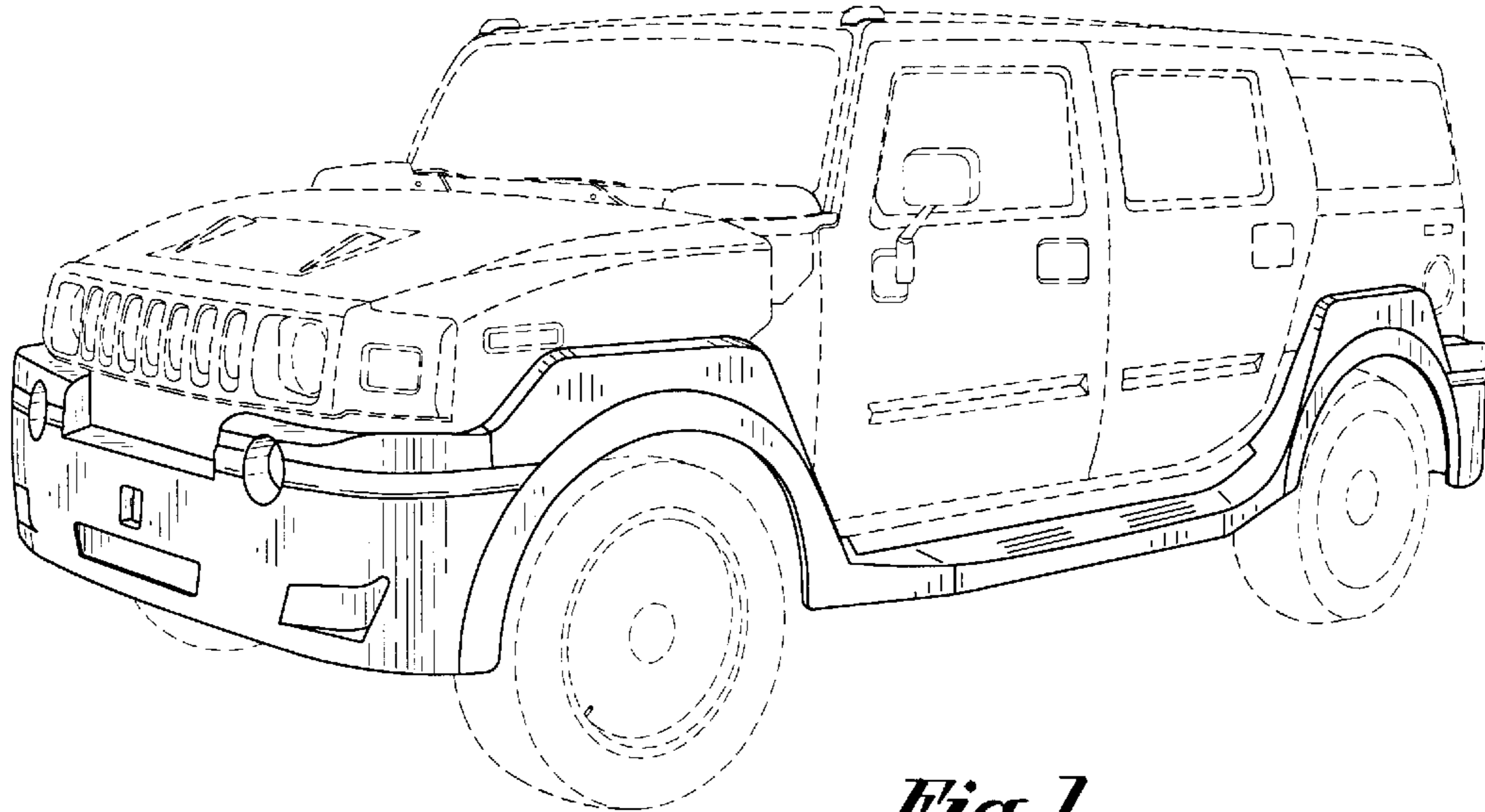


Fig. 1

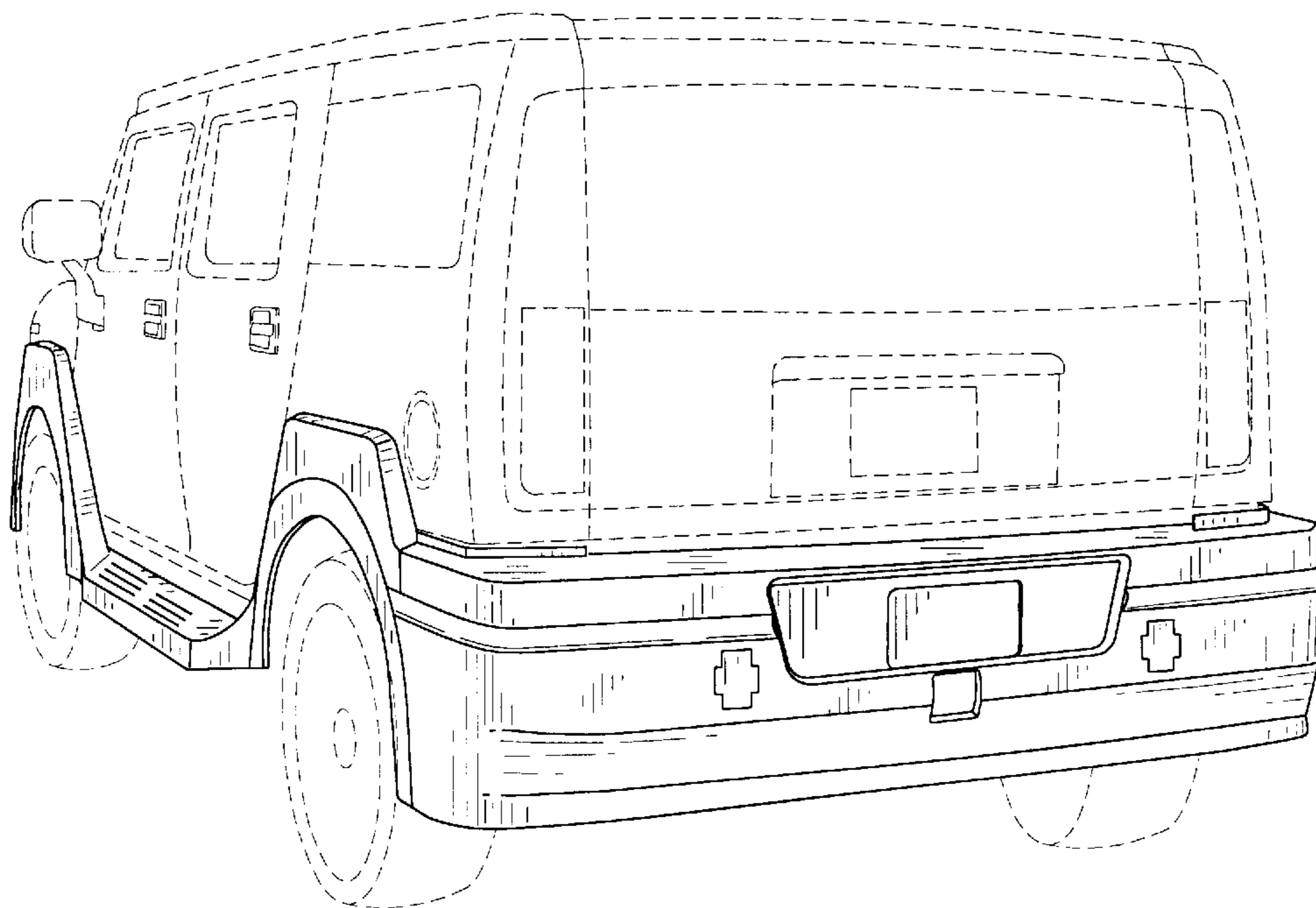


Fig. 2

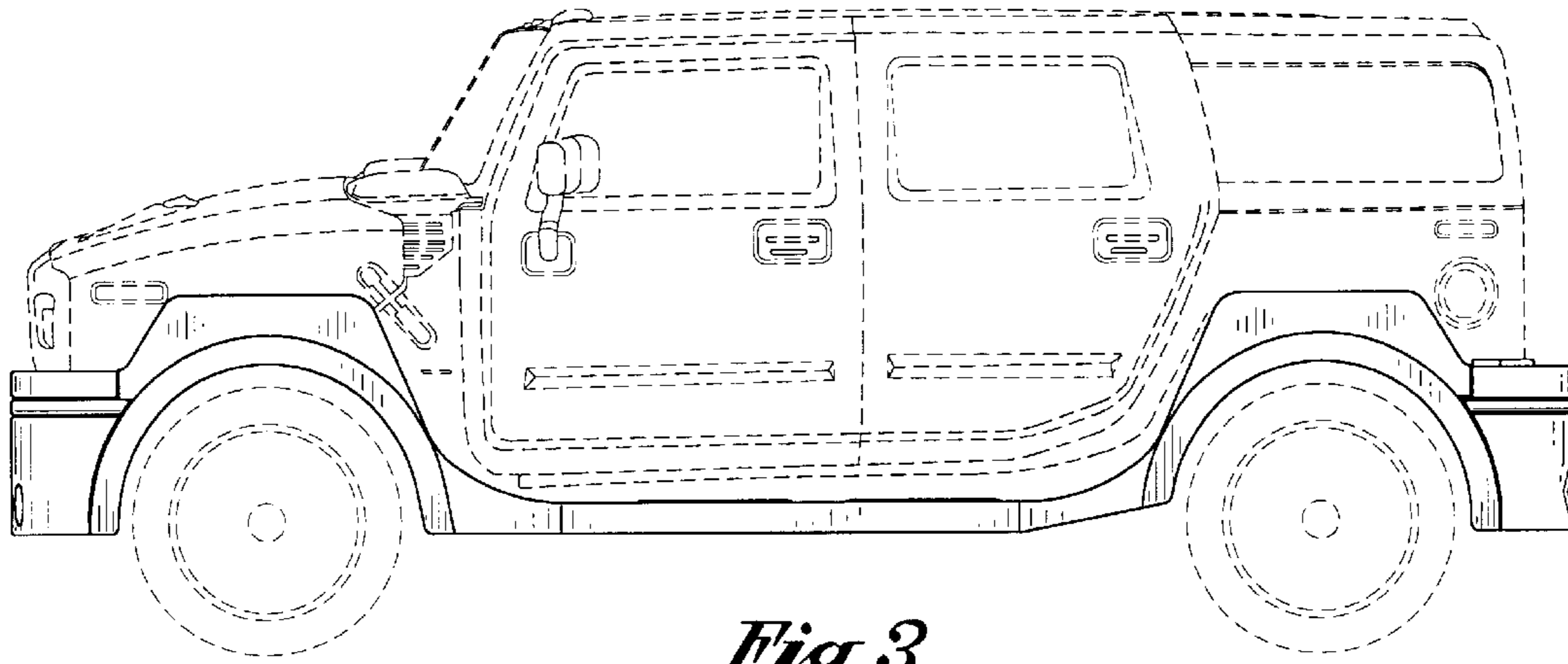


Fig. 3

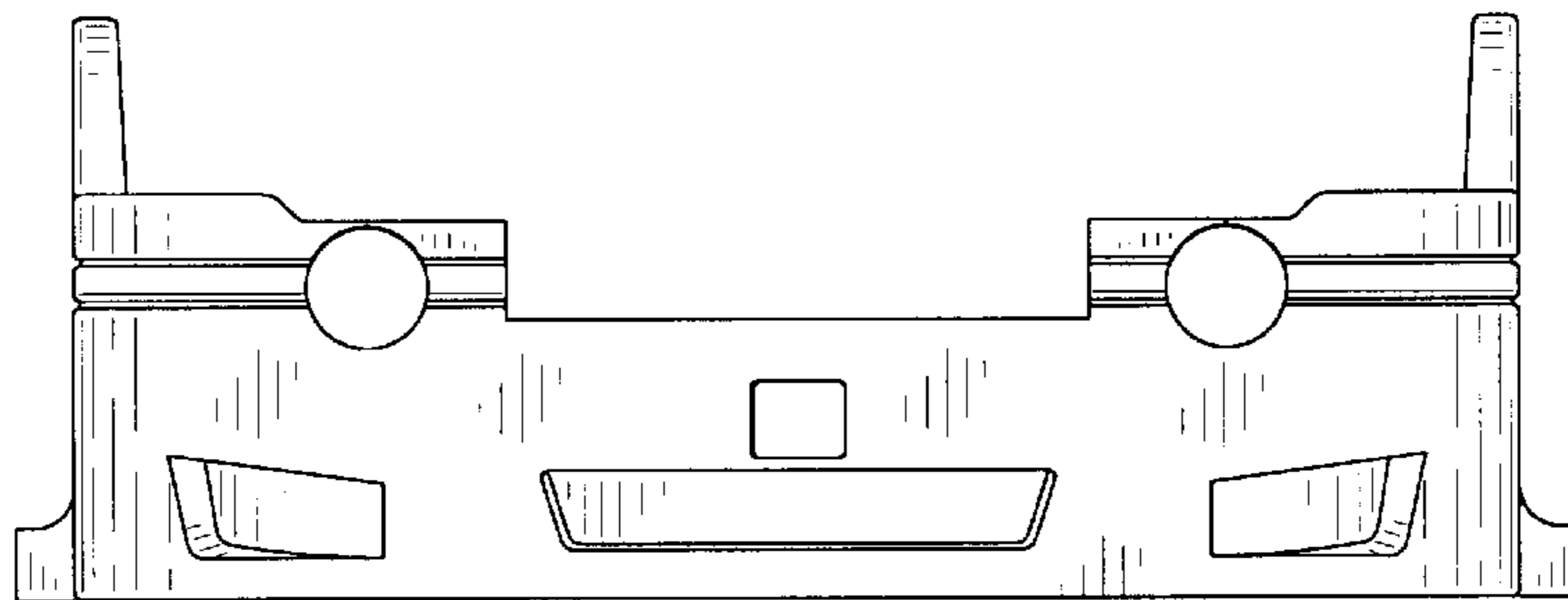


Fig. 4

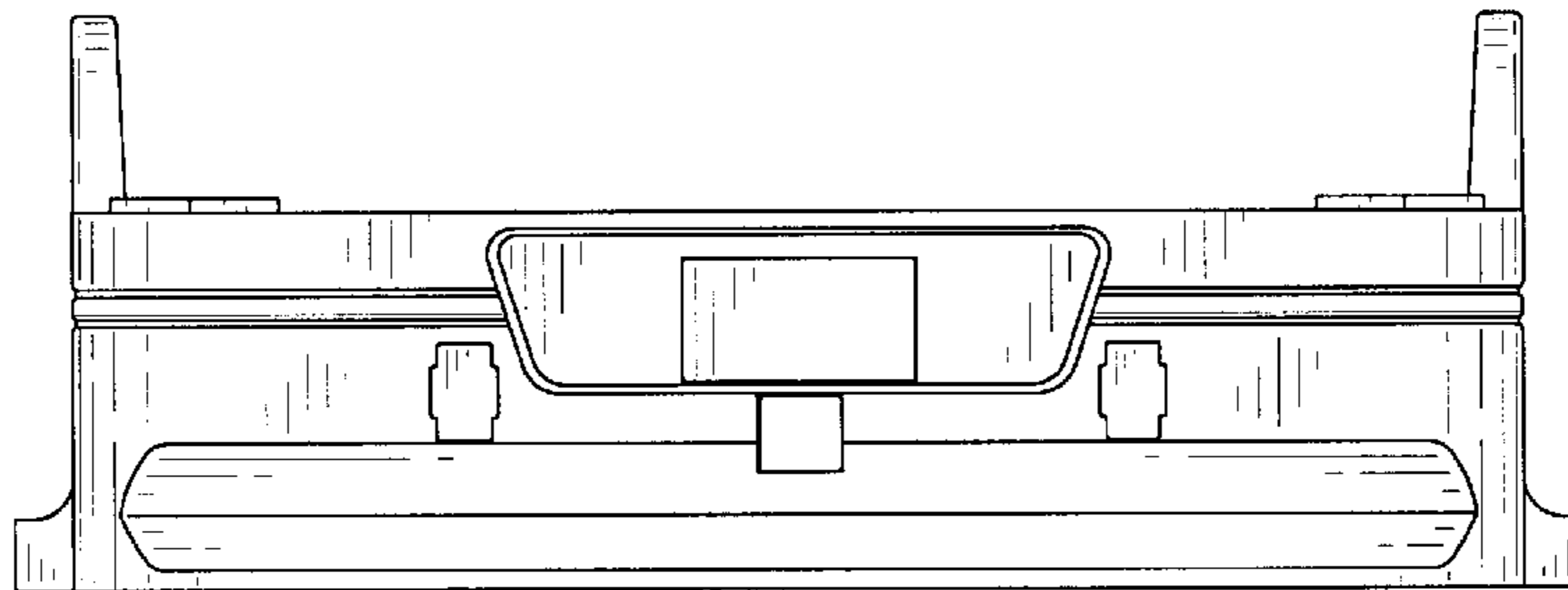


Fig. 5

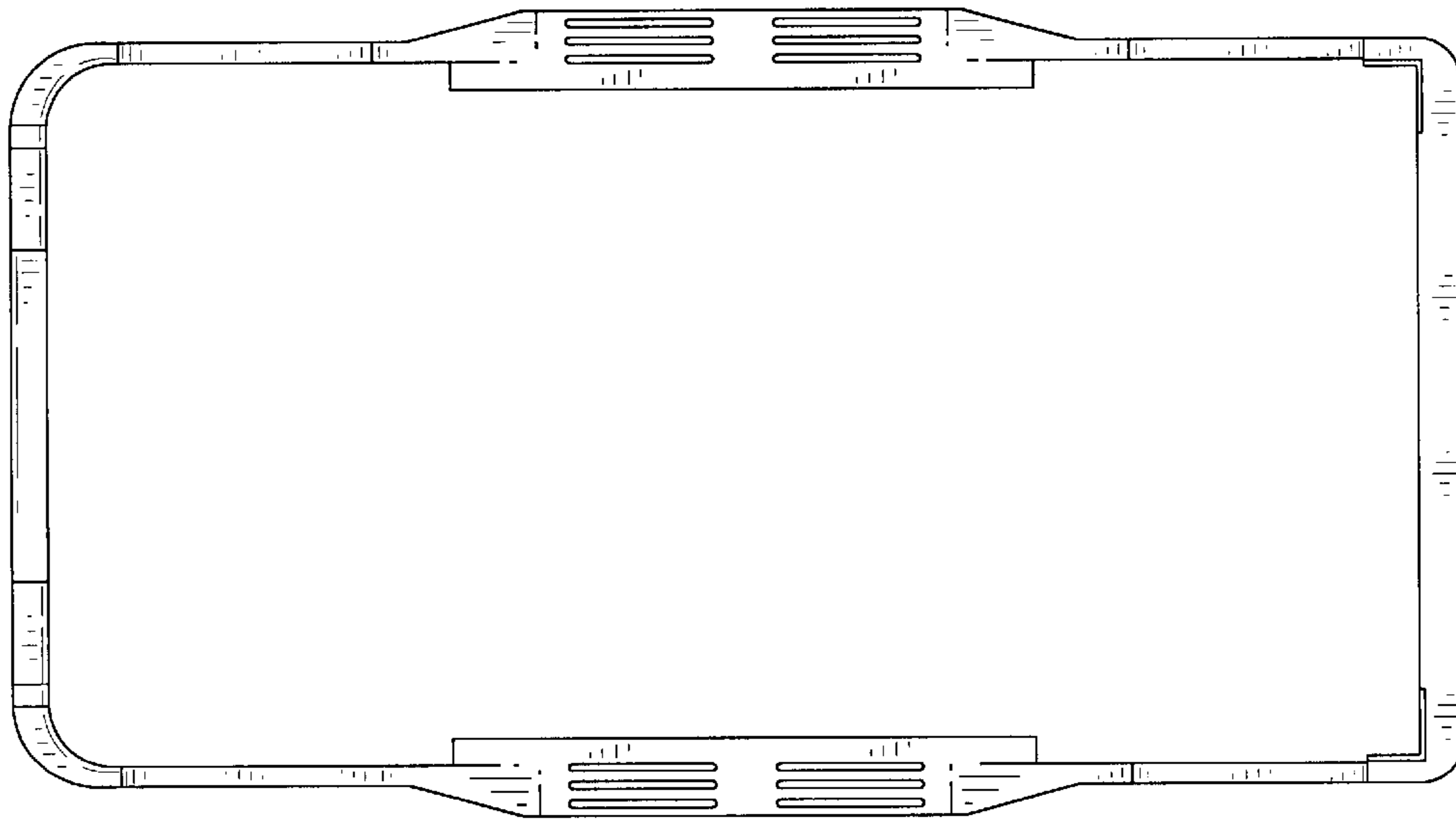


Fig. 6

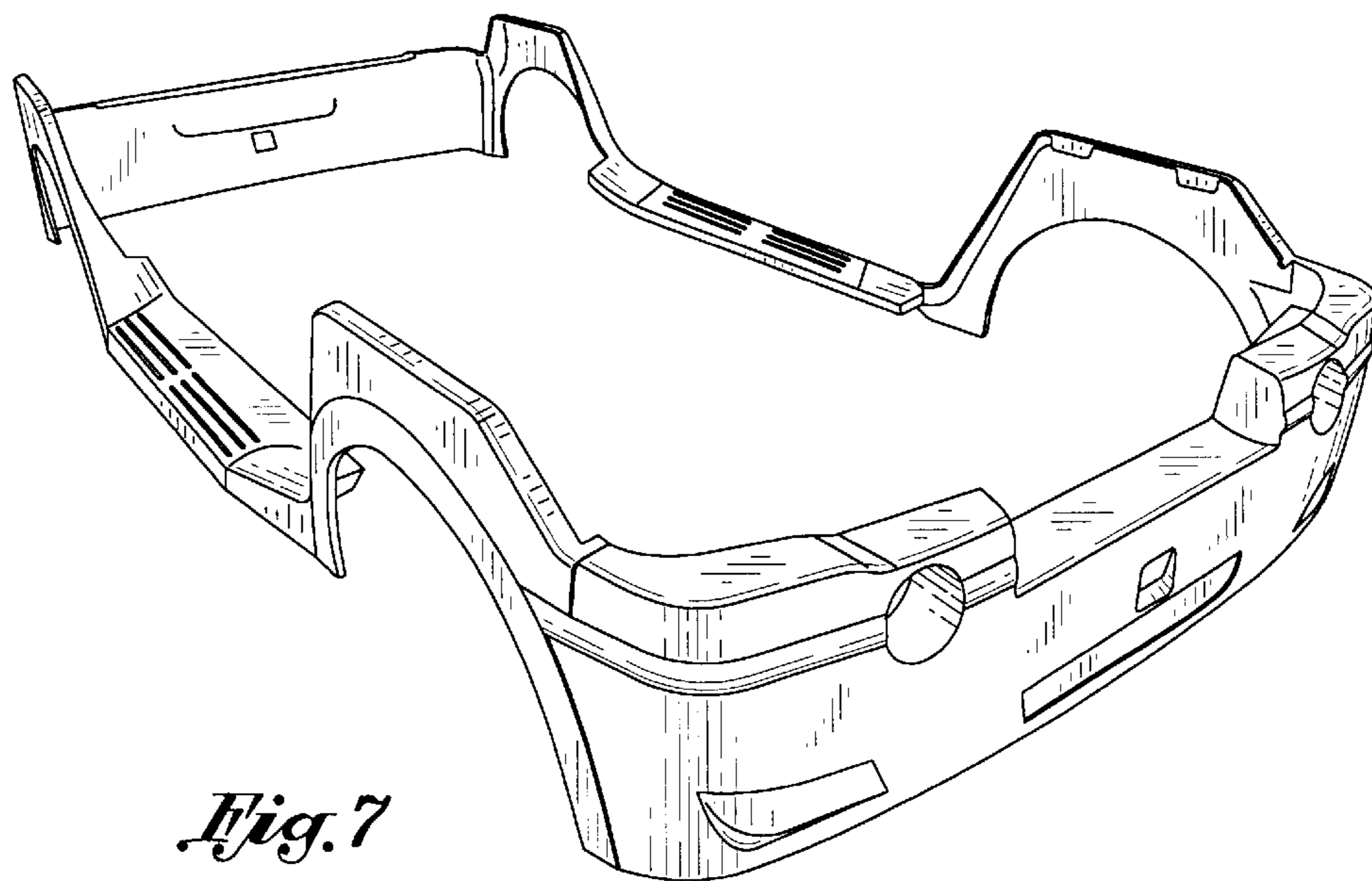


Fig. 7