

US00D511724S

(12) **United States Design Patent**
Sugimoto

(10) **Patent No.:** **US D511,724 S**
(45) **Date of Patent:** **** Nov. 22, 2005**

(54) **BUMPER FOR AN AUTOMOBILE**

(75) Inventor: **Satoru Sugimoto**, Aichi-ken (JP)
(73) Assignee: **Toyota Jidosha Kabushiki Kaisha** (JP)
(**) Term: **14 Years**

(21) Appl. No.: **29/215,116**
(22) Filed: **Oct. 13, 2004**

(30) **Foreign Application Priority Data**
Jul. 5, 2004 (JP) 2004-020183

(51) **LOC (8) Cl.** **12-16**
(52) **U.S. Cl.** **D12/169**
(58) **Field of Search** D12/90-92, 86,
D12/169, 196, 163; 296/180.1, 180.2; 293/102,
113, 115, 117, 120

(56) **References Cited**
U.S. PATENT DOCUMENTS

D435,814 S	*	1/2001	Gabath	D12/169
D436,067 S	*	1/2001	Okano et al.	D12/169
D497,580 S	*	10/2004	Aikawa	D12/169
D498,716 S	*	11/2004	Maeda et al.	D12/169
D501,162 S	*	1/2005	Mays et al.	D12/169

OTHER PUBLICATIONS

Toyota, Verossa 2003, Brochure of Verossa, Jan. 2003.

* cited by examiner

Primary Examiner—Melody N. Brown
(74) *Attorney, Agent, or Firm*—SAIDMAN DesignLaw Group

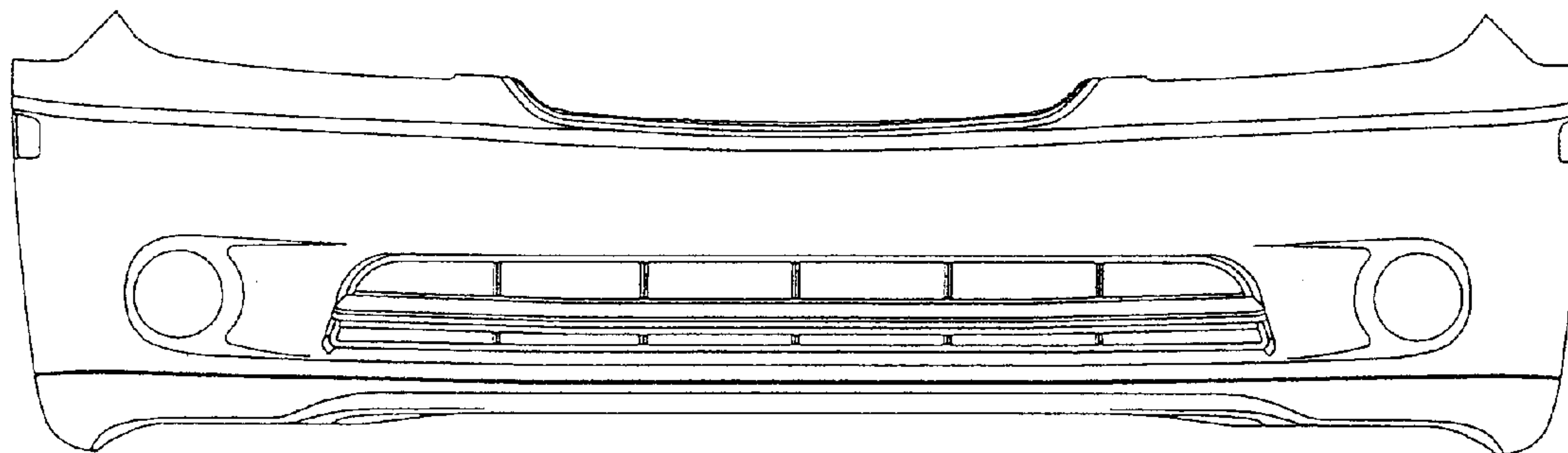
(57) **CLAIM**

The ornamental design for a bumper for an automobile, as shown and described.

DESCRIPTION

FIG. 1 is a perspective view of a bumper for an automobile showing my new design;
FIG. 2 is a front view thereof;
FIG. 3 is a rear view thereof;
FIG. 4 is a top view thereof;
FIG. 5 is a bottom view; and,
FIG. 6 is a right-side view thereof, the left-side view being a mirror image.

1 Claim, 4 Drawing Sheets



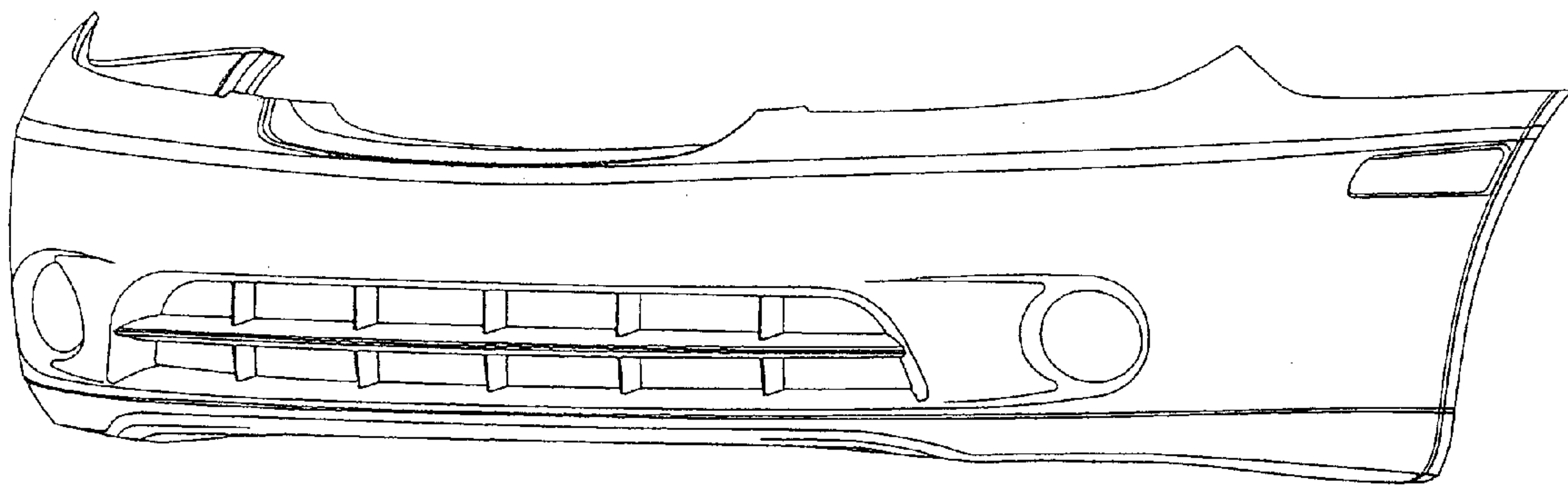


FIG. 1

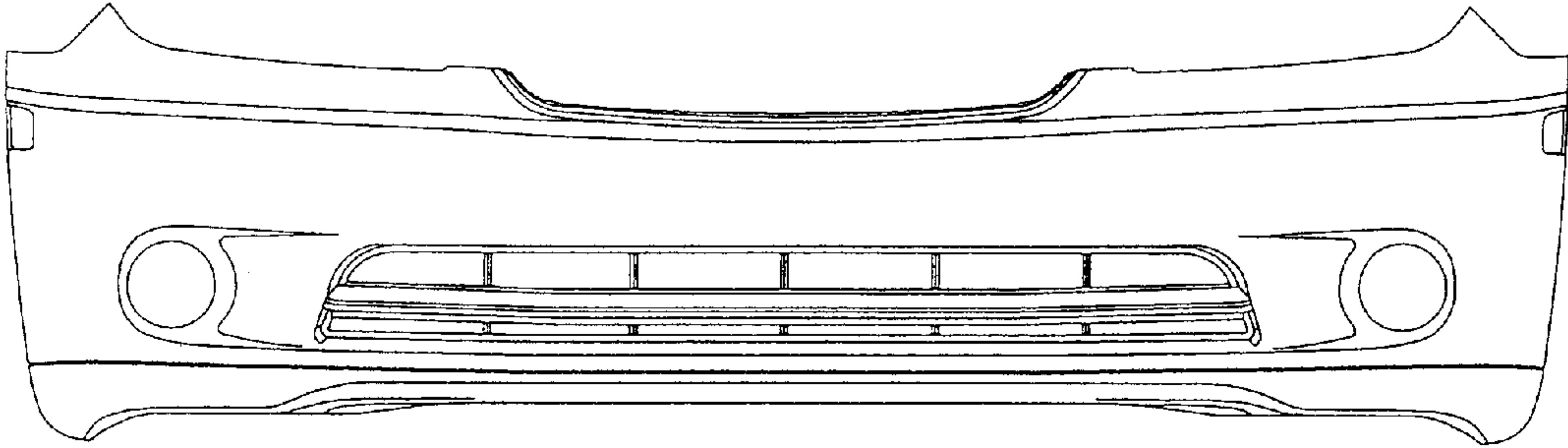


FIG. 2

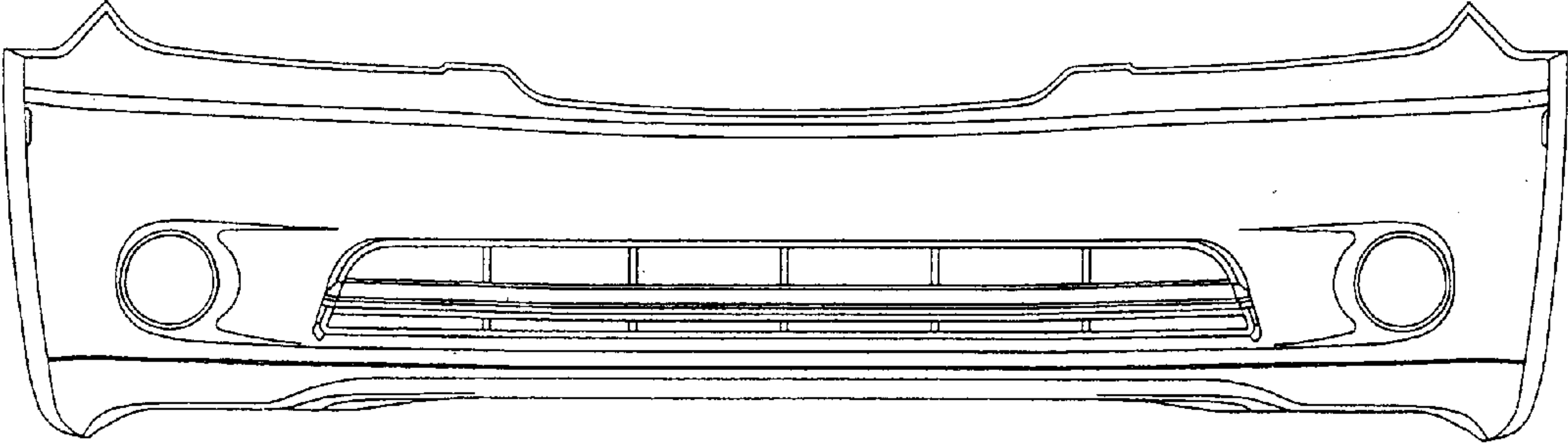


FIG. 3

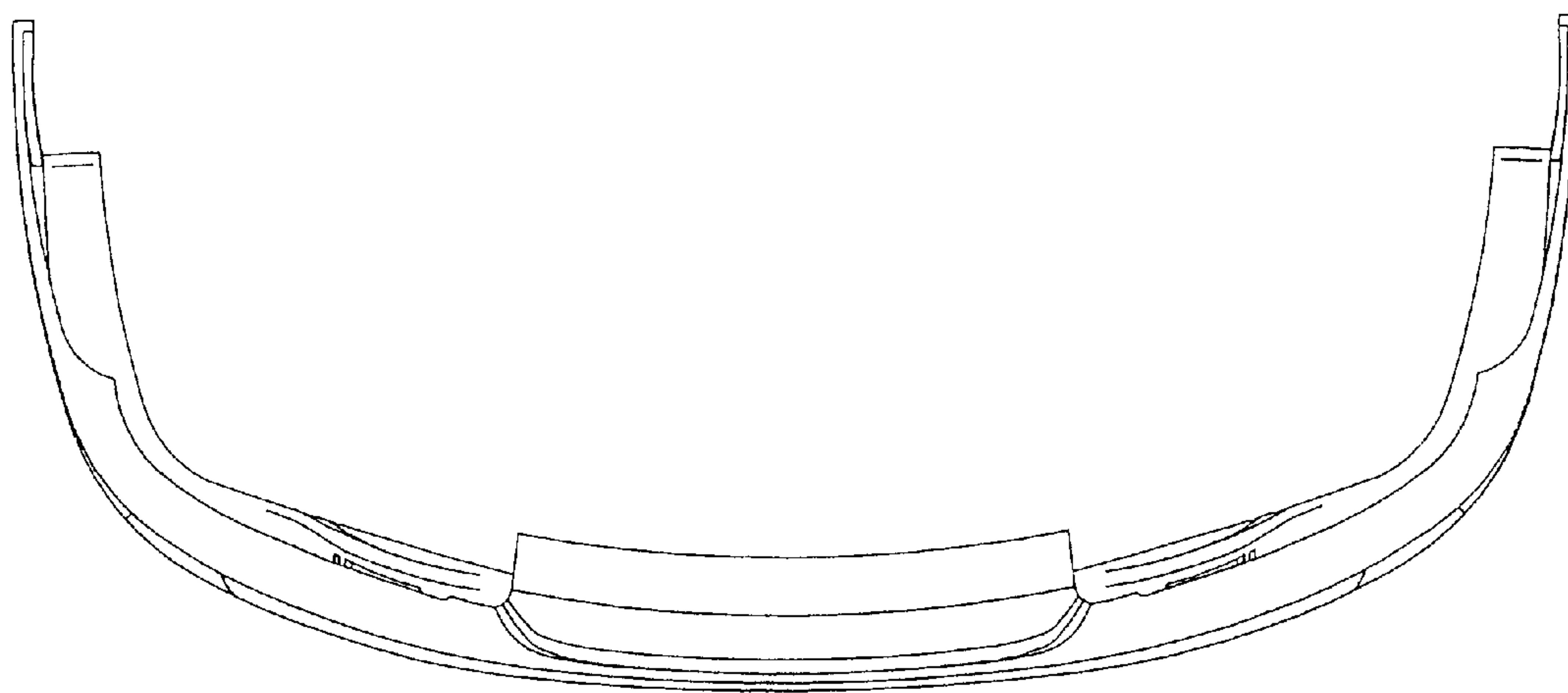


FIG. 4

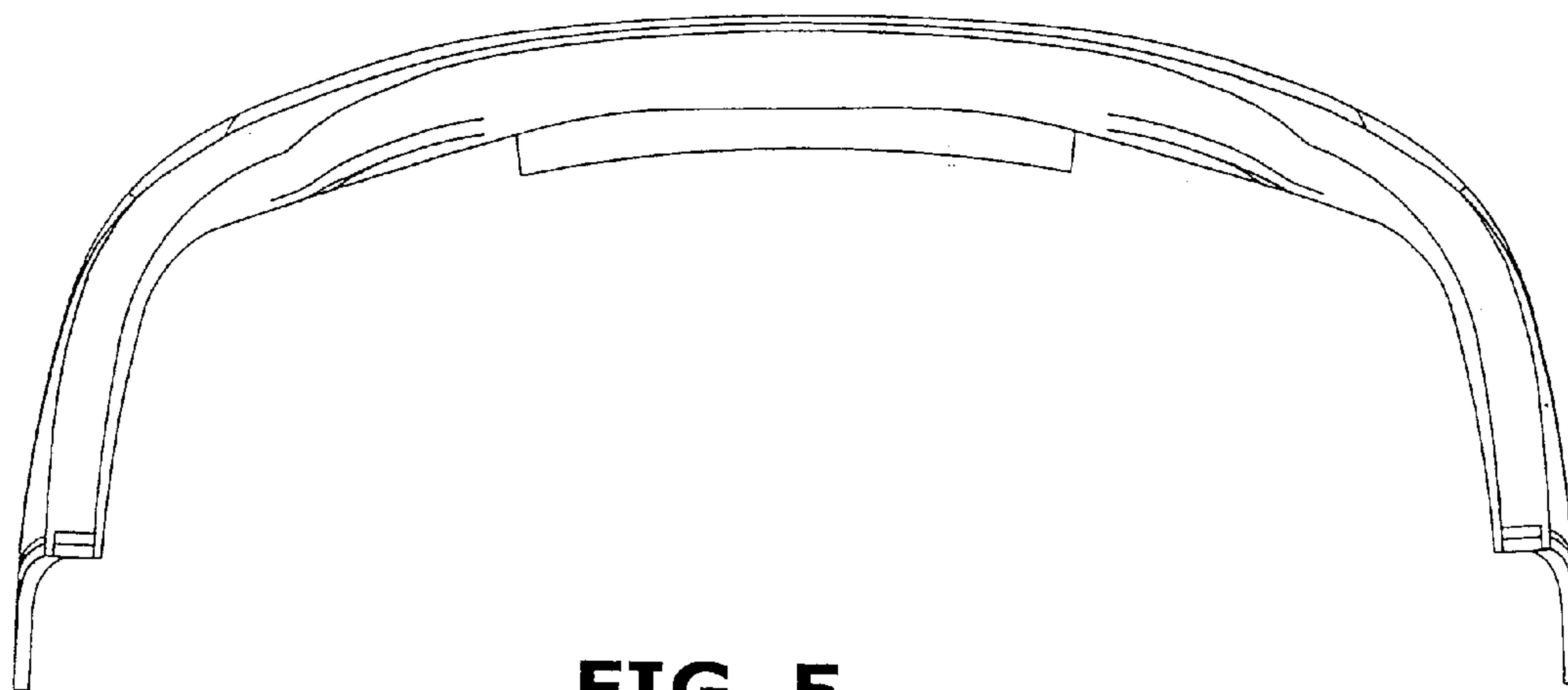


FIG. 5

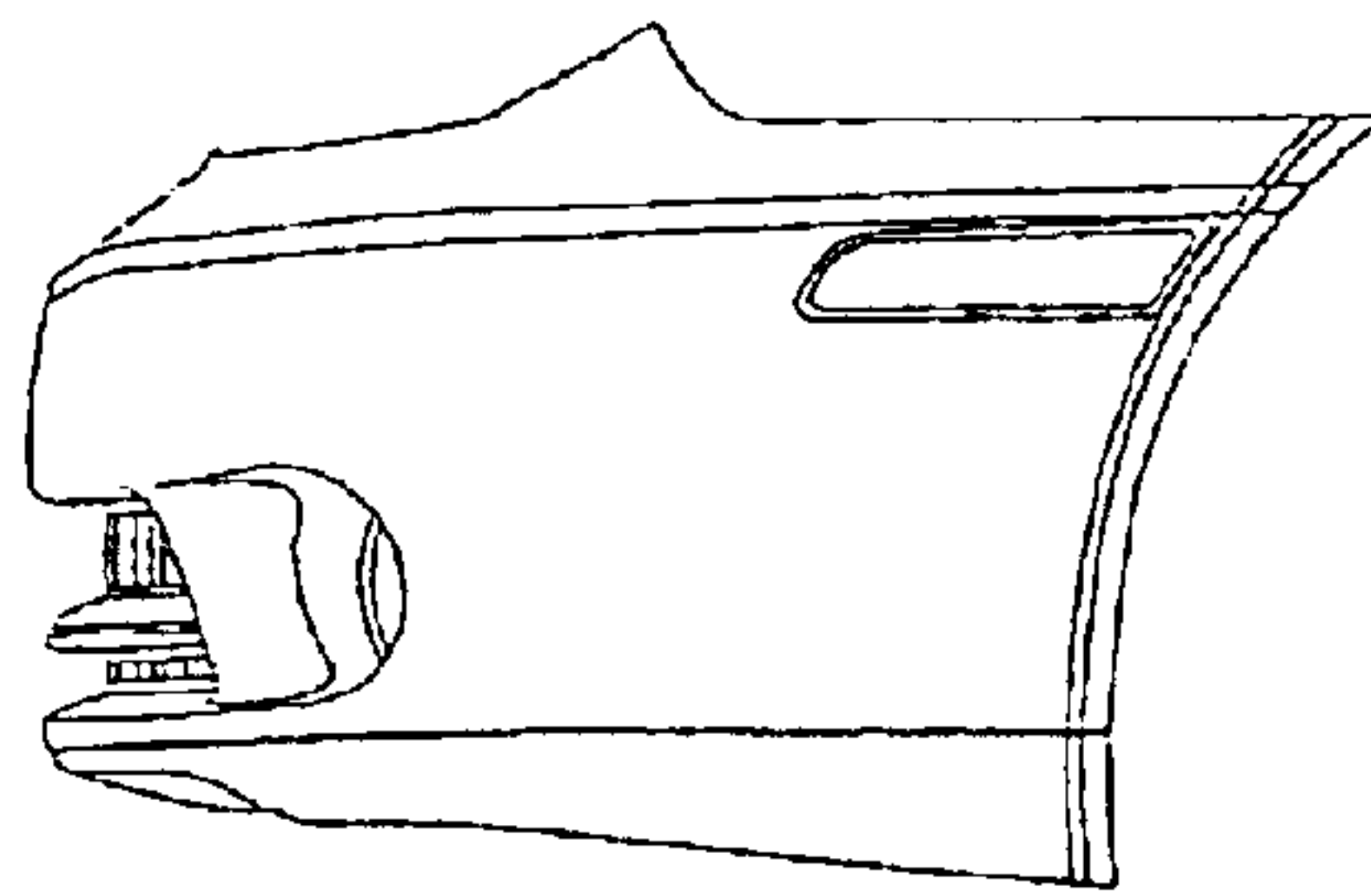


FIG. 6