



US00D511723S

(12) **United States Design Patent** (10) **Patent No.:** **US D511,723 S**
Kobas (45) **Date of Patent:** **** Nov. 22, 2005**

(54) **PONTOON BOAT FENDER**

(75) Inventor: **Joseph P. Kobas**, Amsterdam, NY (US)

(73) Assignee: **Taylor Made Products**, Gloversville, NY (US)

(**) Term: **14 Years**

(21) Appl. No.: **29/187,050**

(22) Filed: **Jul. 28, 2003**

(51) **LOC (8) Cl.** **12-16**

(52) **U.S. Cl.** **D12/168**

(58) **Field of Search** D12/168, 300,
D12/317; 114/219, 220, 361; 405/212

(56) **References Cited**

U.S. PATENT DOCUMENTS

4,351,257	A	*	9/1982	Brown, Jr.	114/219
4,664,053	A		5/1987	Mesinger	
4,738,215	A		4/1988	McMahon	
D297,627	S	*	9/1988	Patton	D12/168
4,843,994	A	*	7/1989	Wilson et al.	114/219
4,988,926	A	*	1/1991	Sluyterman et al.	315/368.21
5,243,926	A		9/1993	Wright et al.	
5,273,473	A		12/1993	Allen	
D359,019	S		6/1995	Kimball	
5,664,517	A		9/1997	Brydel et al.	
5,671,692	A		9/1997	Kimball	
6,021,729	A		2/2000	DeRuscio	
6,082,931	A		7/2000	Hopper	
6,364,293	B1		4/2002	Beckett	
6,477,973	B1		11/2002	Kobas	

OTHER PUBLICATIONS

Bass Pro Shops Spring 2001, [online] [retrieved on Apr. 25, 2005] Retrieved from Google Catalog Search using the Internet <URL: <http://catalog.google.com/catalogs?hl=en&lr=&issue=4517&catpage=116&sa=Go>> p. 116.*

* cited by examiner

Primary Examiner—Holly Baynham

Assistant Examiner—Cynthia M. Chin

(74) *Attorney, Agent, or Firm*—Nixon & Vanderhye PC

(57) **CLAIM**

The ornamental design for a “pontoon boat fender,” as shown and described.

DESCRIPTION

FIG. 1 is a reduced perspective view of a pontoon boat fender, attached to a pontoon boat, showing our new design from the front, top and right side, wherein the pontoon boat is shown in phantom as forming no part of the claimed design;

FIG. 2 is a front side elevational view of the pontoon boat fender;

FIG. 3 is a top plan view thereof;

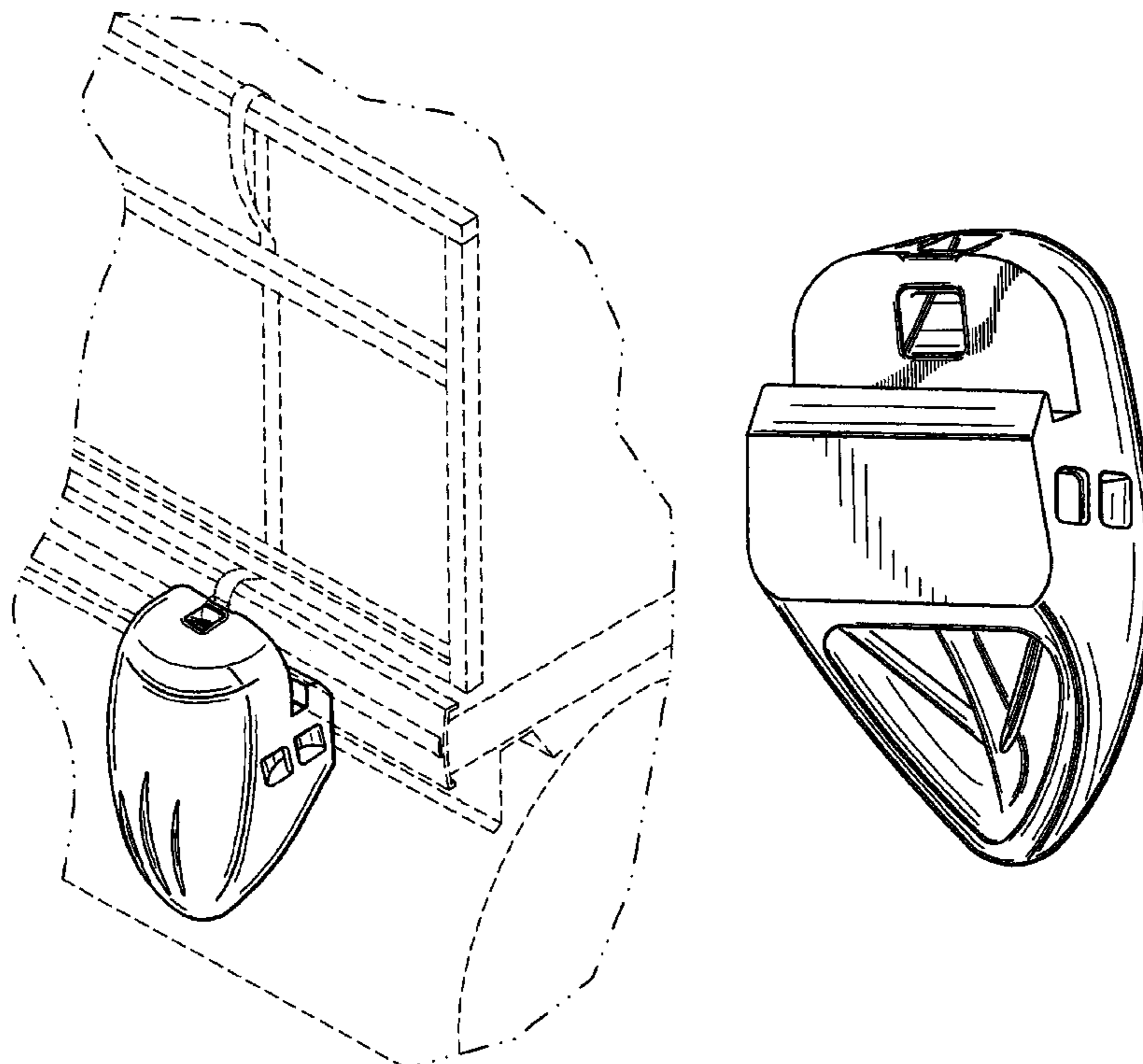
FIG. 4 is a bottom plan view thereof.; and

FIG. 5 is a left side elevational view thereof, the right side being a mirror image thereof;

FIG. 6 is a rear side elevational view thereof; and,

FIG. 7 is a perspective view thereof from the rear, bottom and left side.

1 Claim, 6 Drawing Sheets



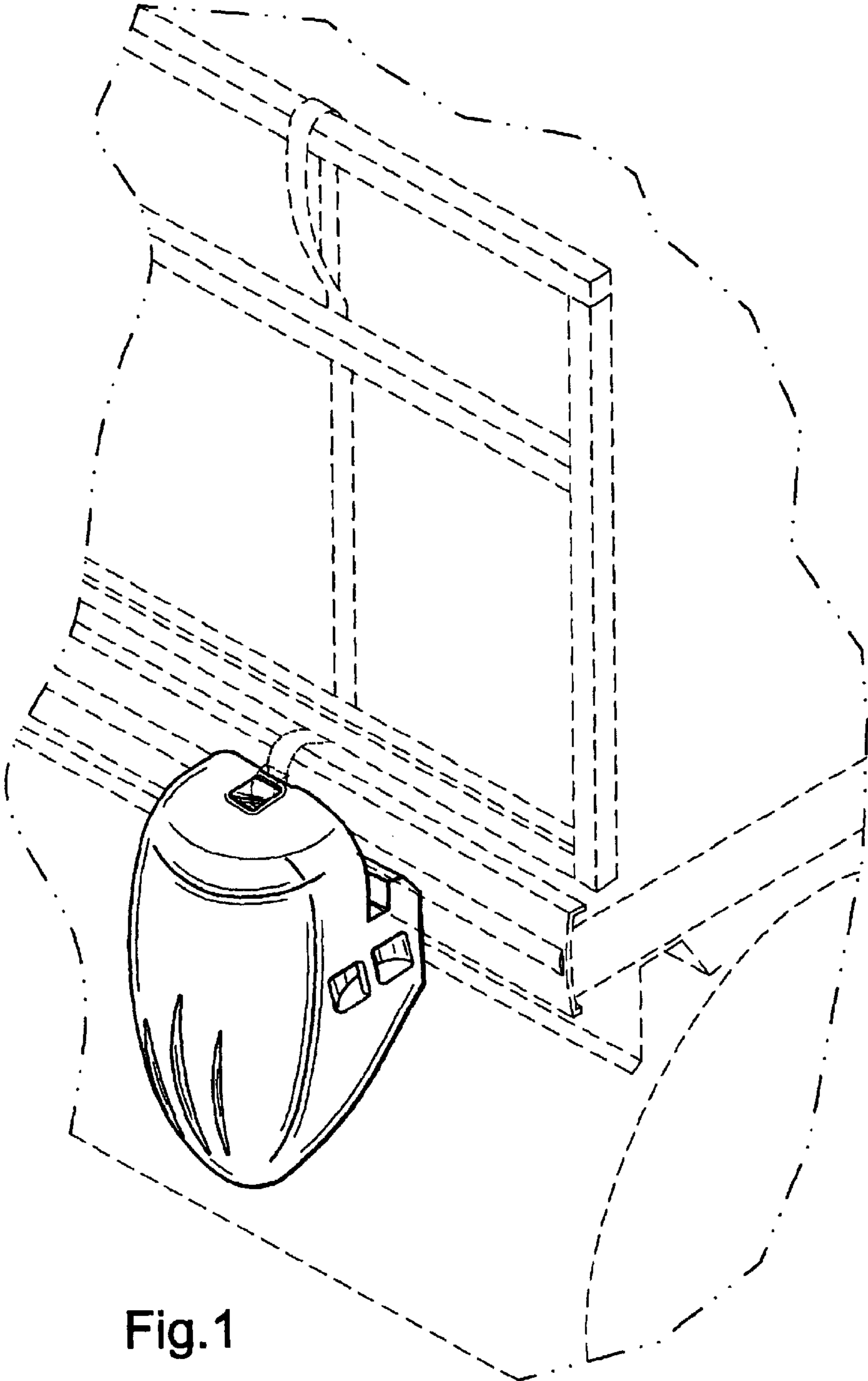


Fig.1

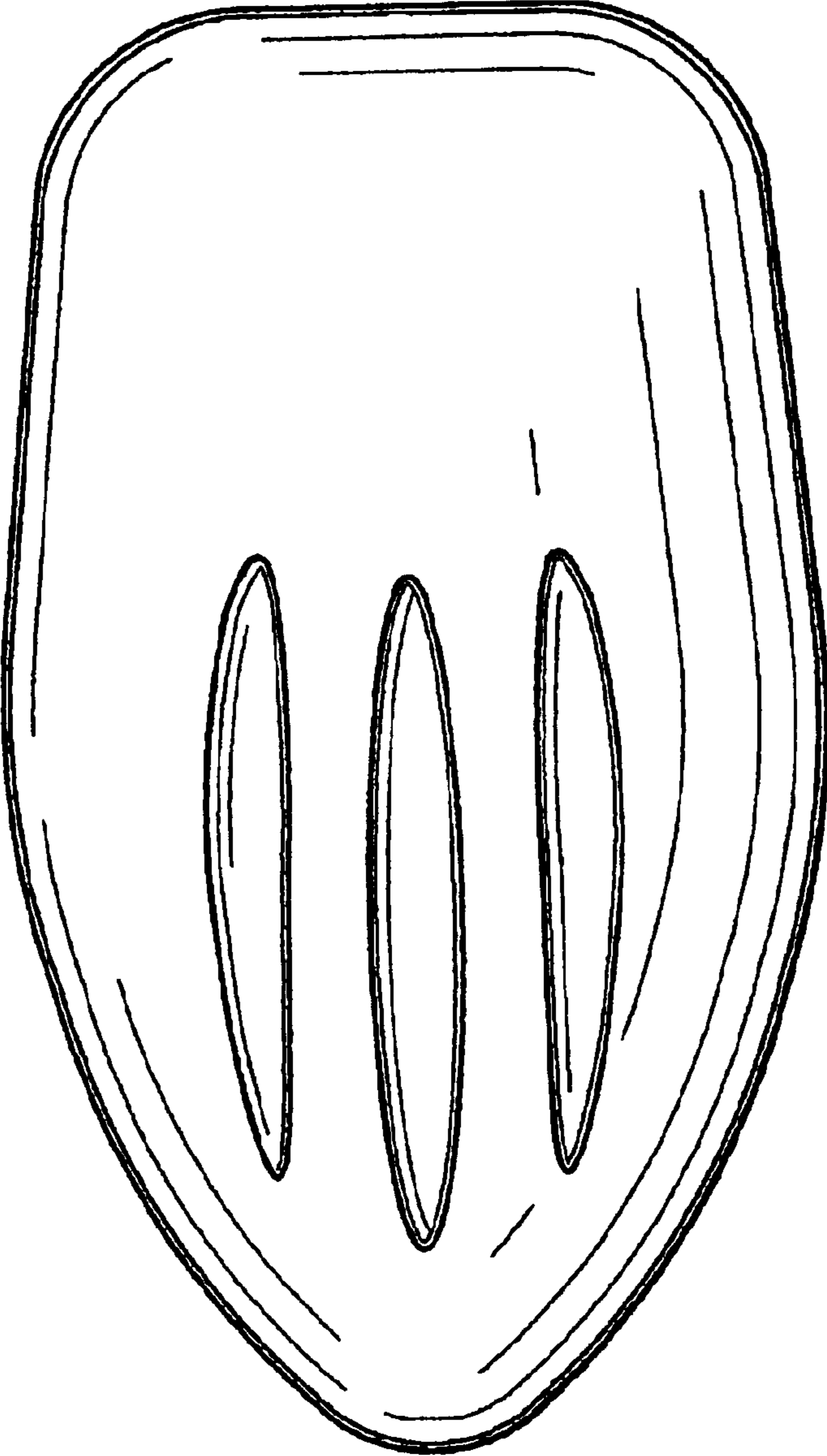


Fig.2

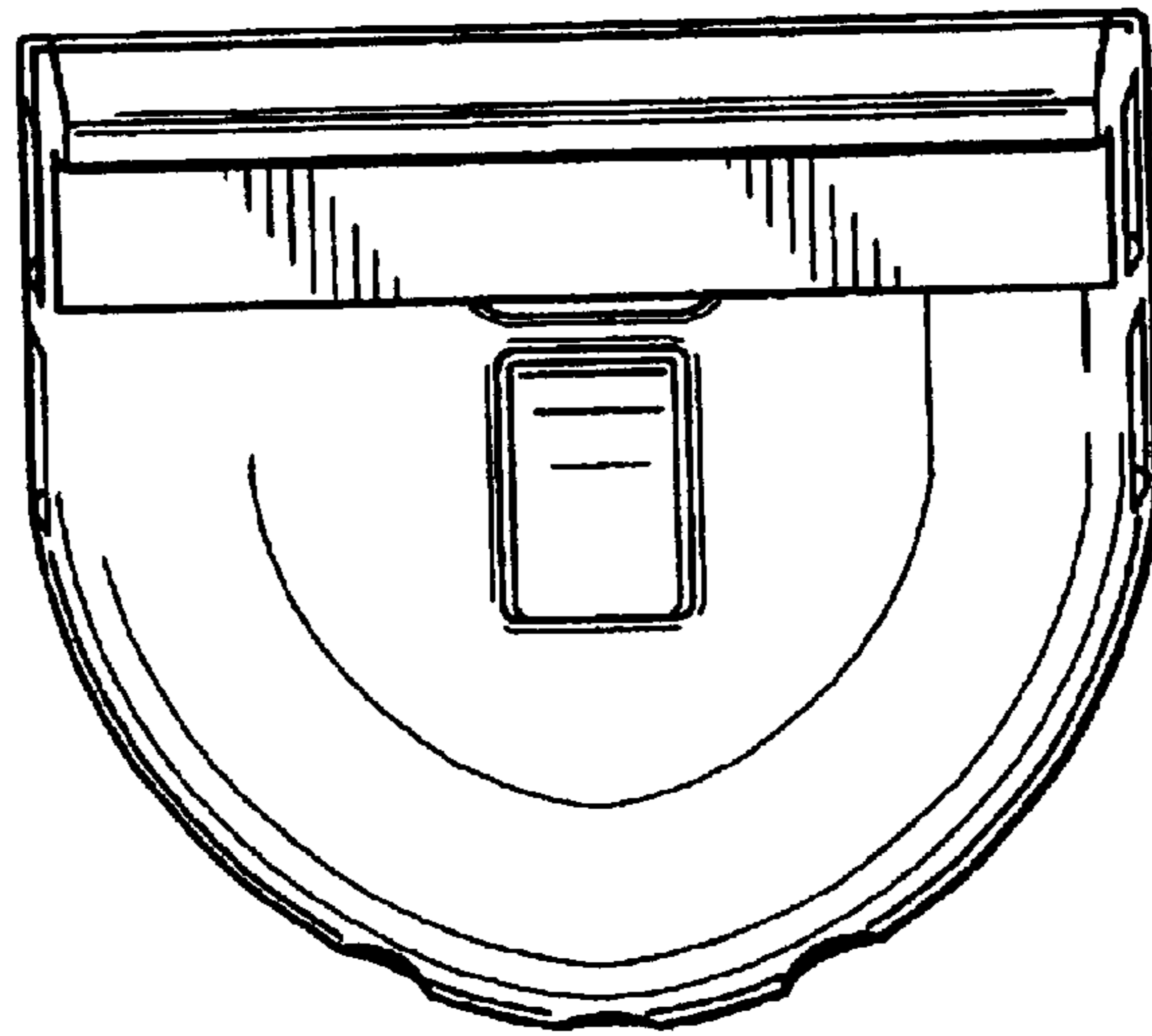


Fig.3

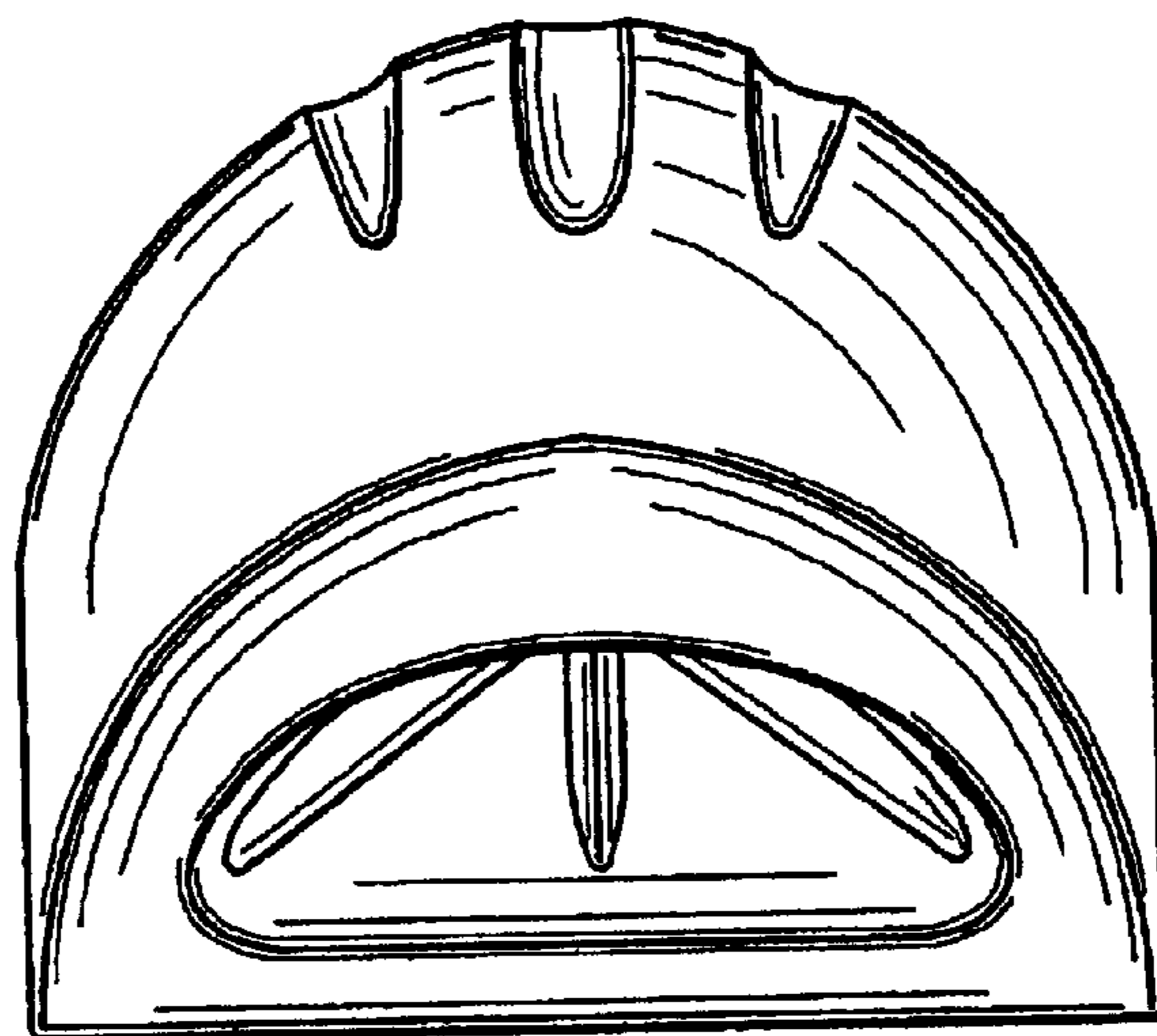


Fig.4

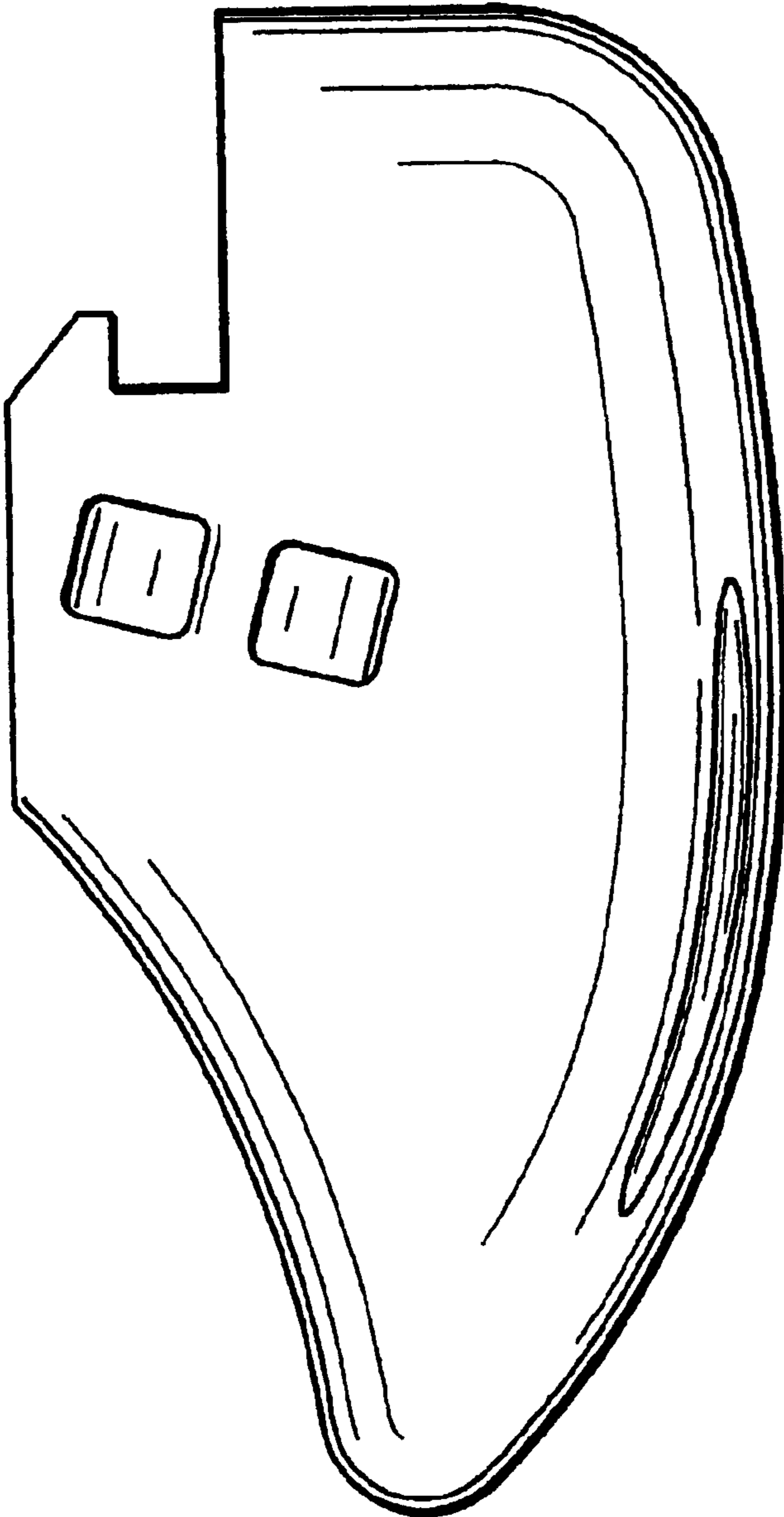


Fig.5

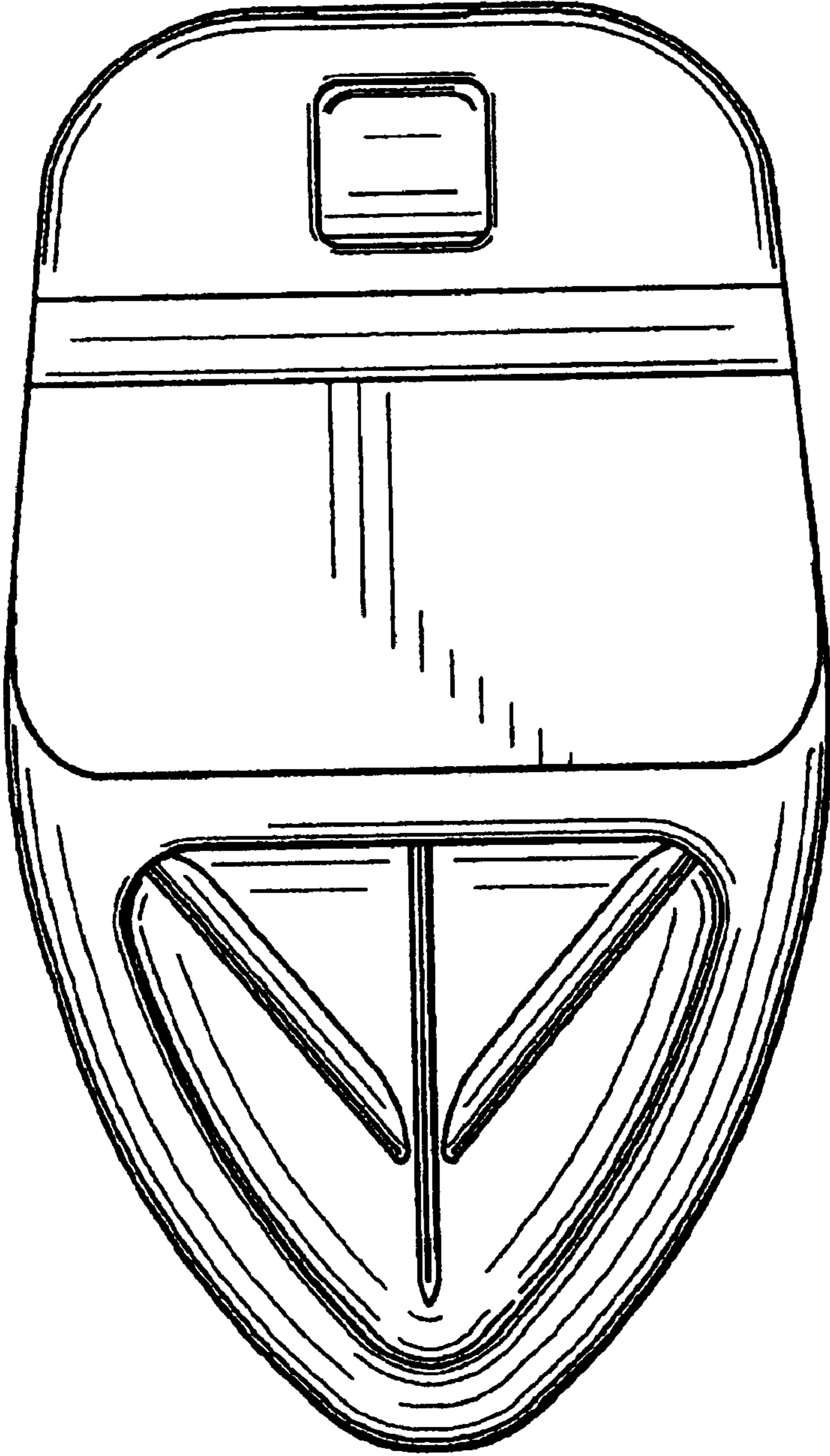


Fig.6

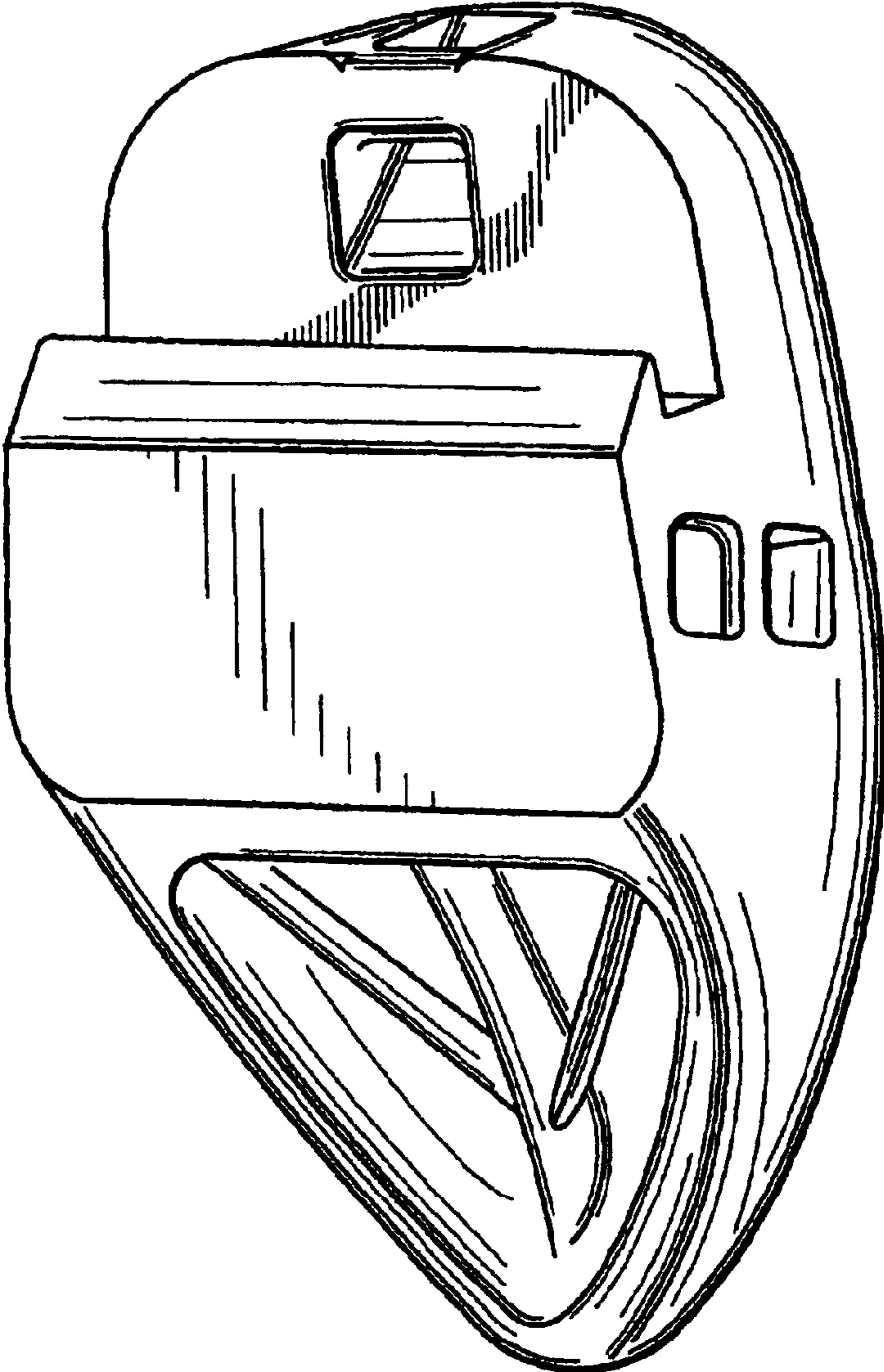


Fig.7