



US00D511720S

(12) **United States Design Patent**  
**Chen**

(10) **Patent No.:** **US D511,720 S**

(45) **Date of Patent:** **\*\* Nov. 22, 2005**

(54) **ELECTRIC SCOOTER**

(76) **Inventor:** **Yung Cheng Chen**, No. 7, Lane 398,  
Hung Chang 12th St., Chung Shan Li,  
Tao Yuan City (TW)

(\*\*) **Term:** **14 Years**

(21) **Appl. No.:** **29/220,159**

(22) **Filed:** **Dec. 28, 2004**

(30) **Foreign Application Priority Data**

Oct. 26, 2004 (TW) ..... 93306285

(51) **LOC (8) Cl.** ..... **12-12**

(52) **U.S. Cl.** ..... **D12/128**

(58) **Field of Search** ..... D12/128-133;  
280/250.1, 304.1; 180/6.5, 65.1, 907, 908;  
297/DIG. 4

(56) **References Cited**

**U.S. PATENT DOCUMENTS**

D403,279 S \* 12/1998 Wu ..... D12/128

D460,028 S \* 7/2002 Wu et al. .... D12/128  
D479,496 S \* 9/2003 Tsai et al. .... D12/128  
D488,409 S \* 4/2004 Tsai ..... D12/128  
D490,753 S \* 6/2004 Tsai ..... D12/128

\* cited by examiner

*Primary Examiner*—Marcus A. Jackson

(74) *Attorney, Agent, or Firm*—Egbert Law Offices

(57) **CLAIM**

I claim the ornamental design for an electric scooter, as shown and described.

**DESCRIPTION**

FIG. 1 is an upper perspective view of the electric scooter showing my design.

FIG. 2 is a front view thereof;

FIG. 3 is a back view thereof;

FIG. 4 is a side view thereof;

FIG. 5 is an opposite side view thereof;

FIG. 6 is a top plan view thereof; and,

FIG. 7 is a bottom view thereof.

**1 Claim, 4 Drawing Sheets**



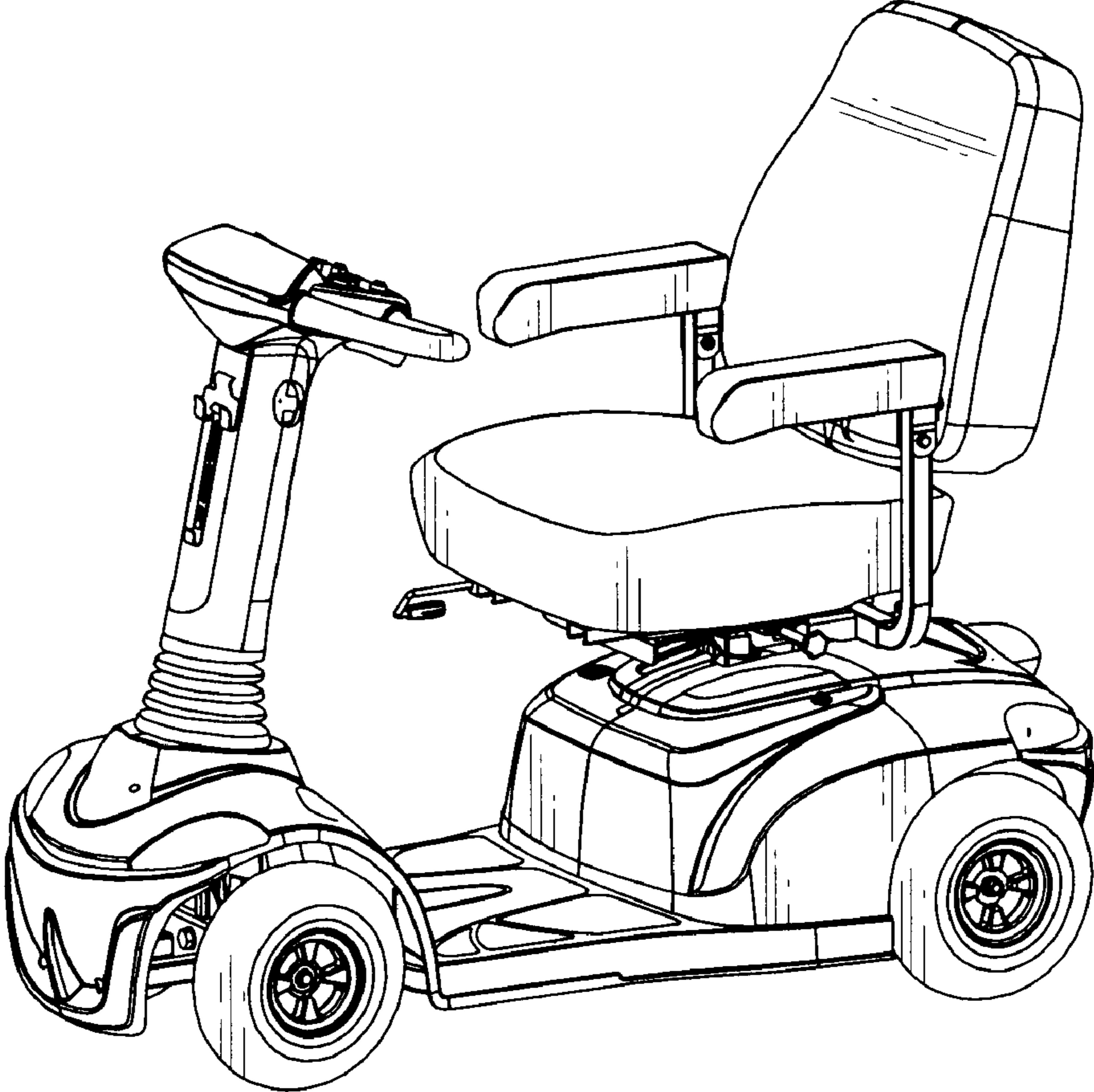


FIG. 1

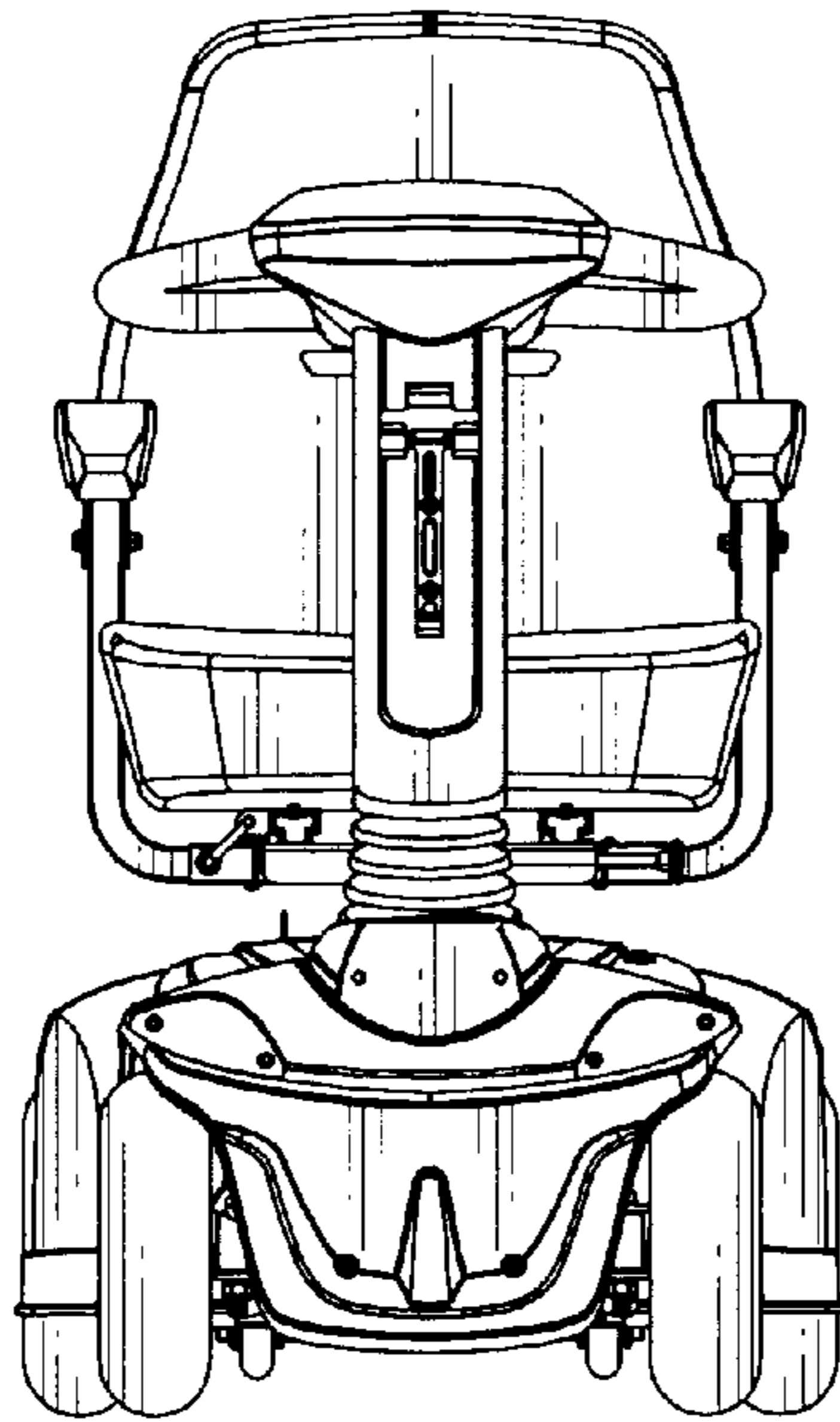


FIG. 2

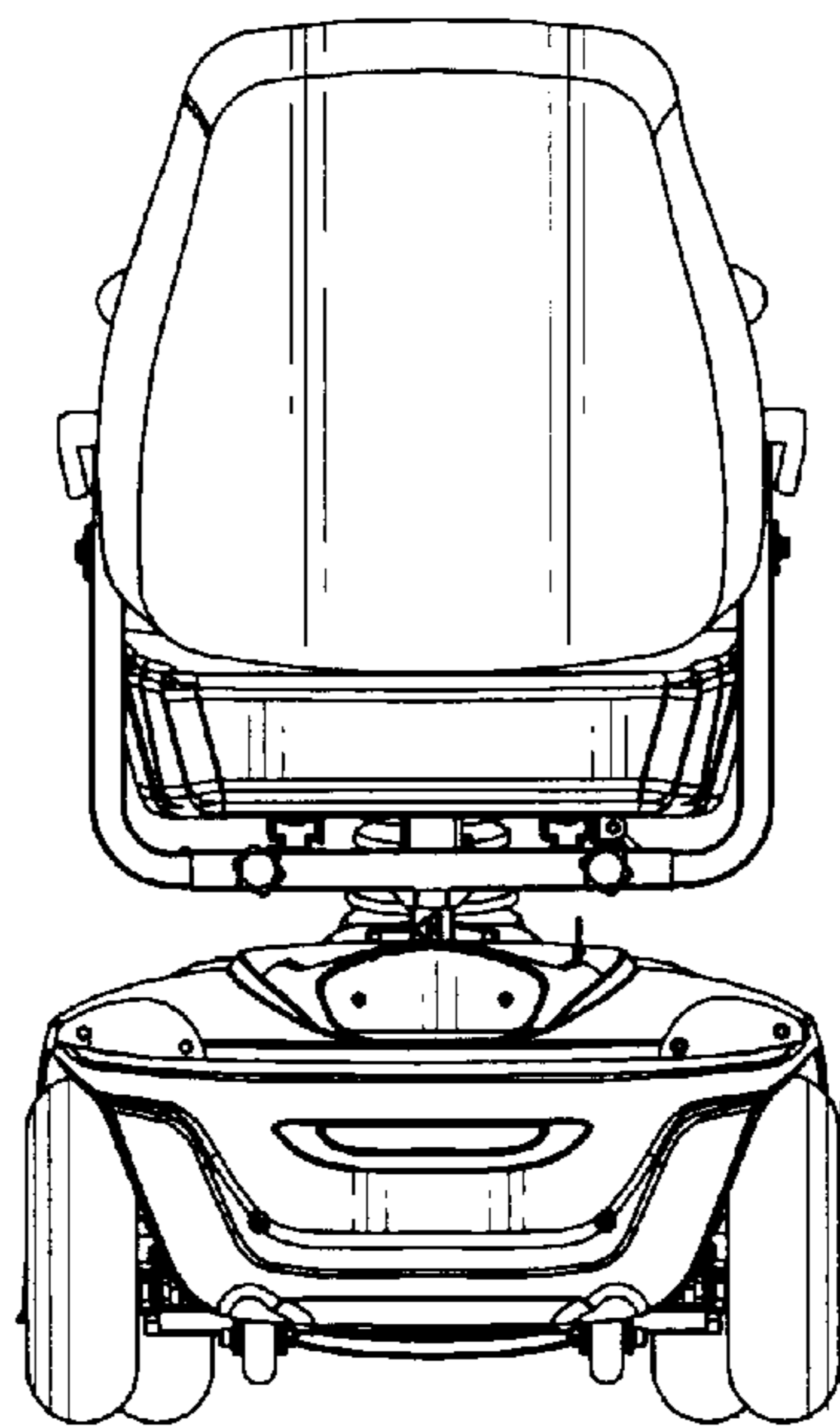


FIG. 3

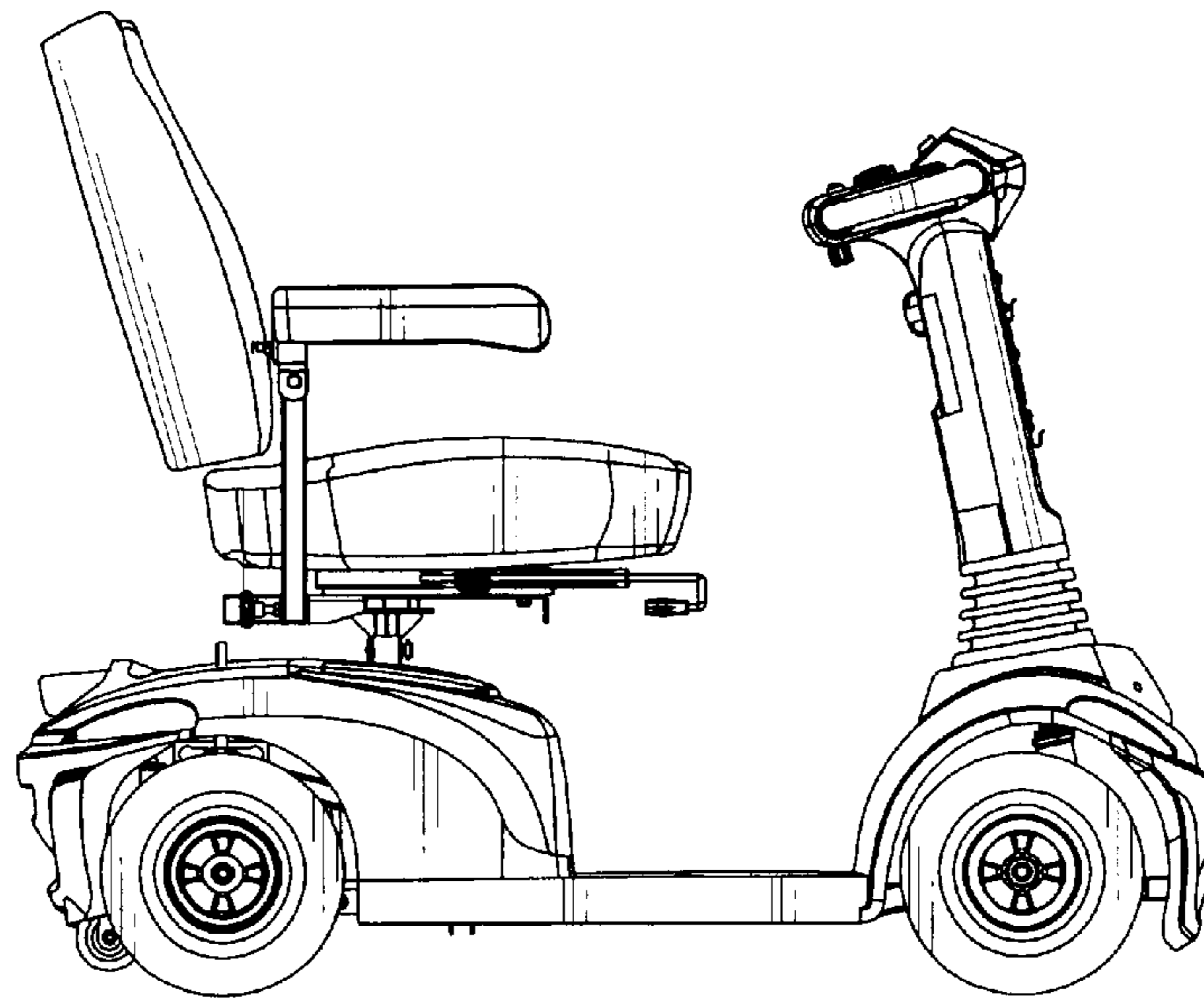


FIG.4

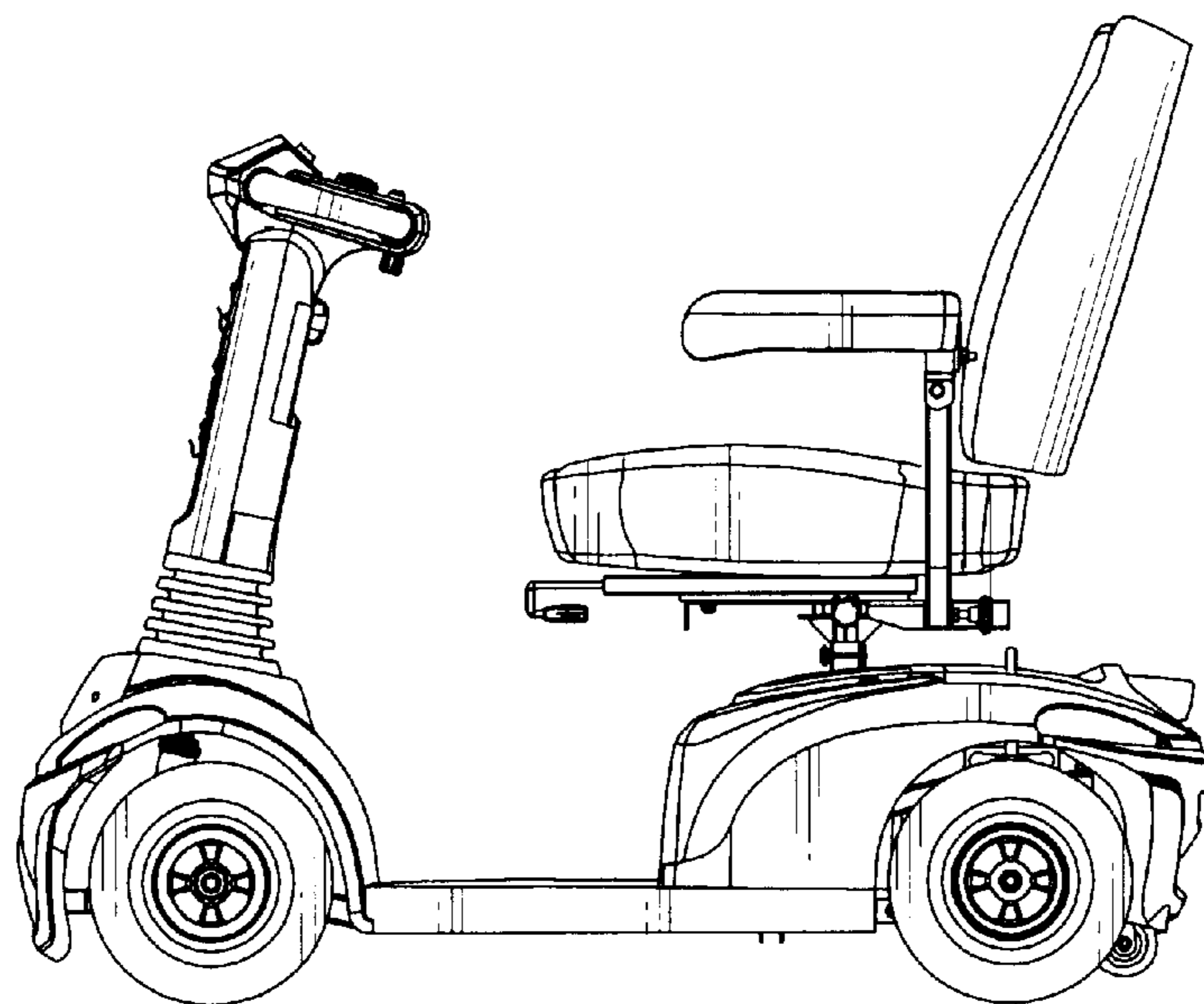


FIG.5

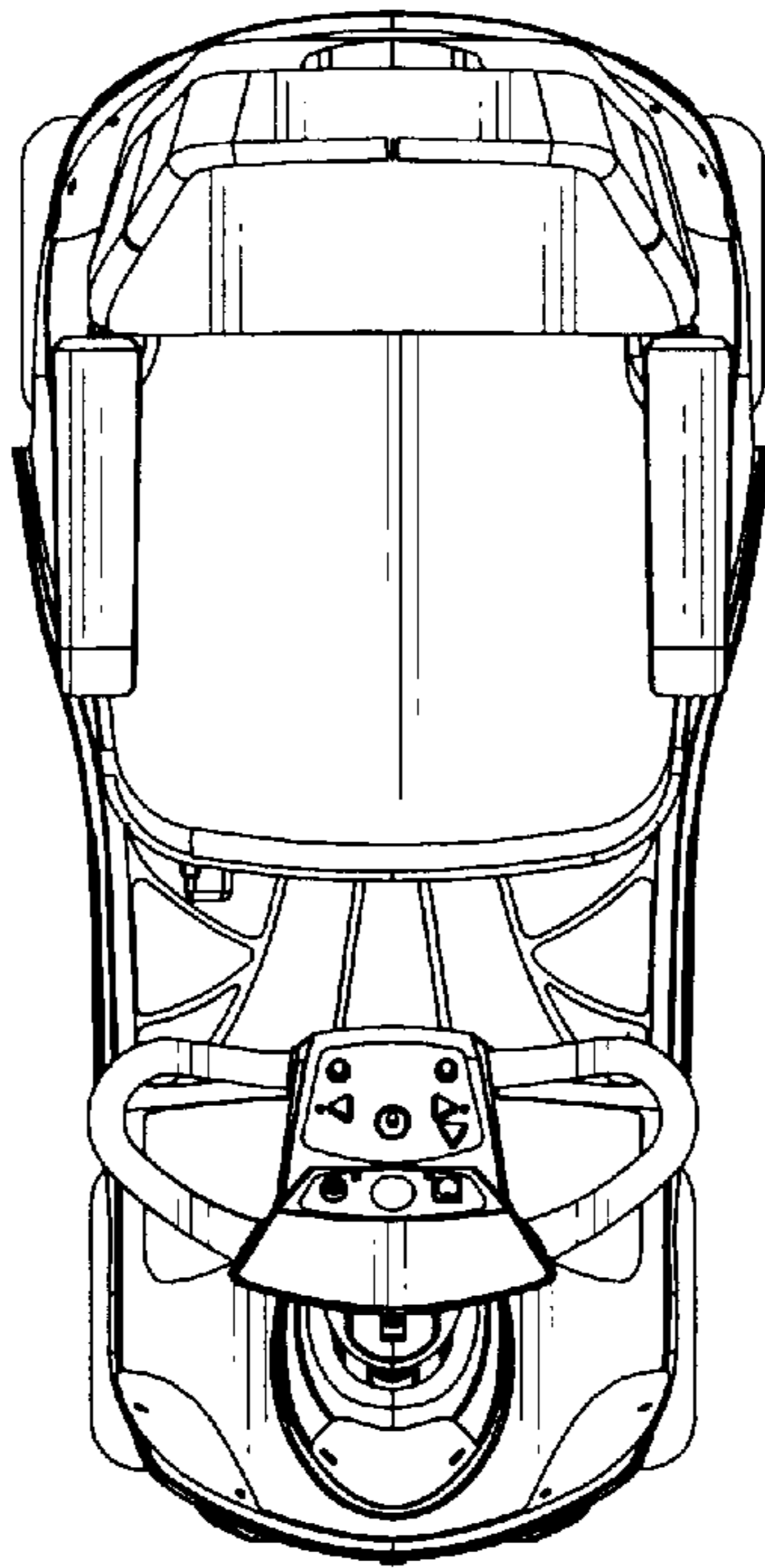


FIG. 6

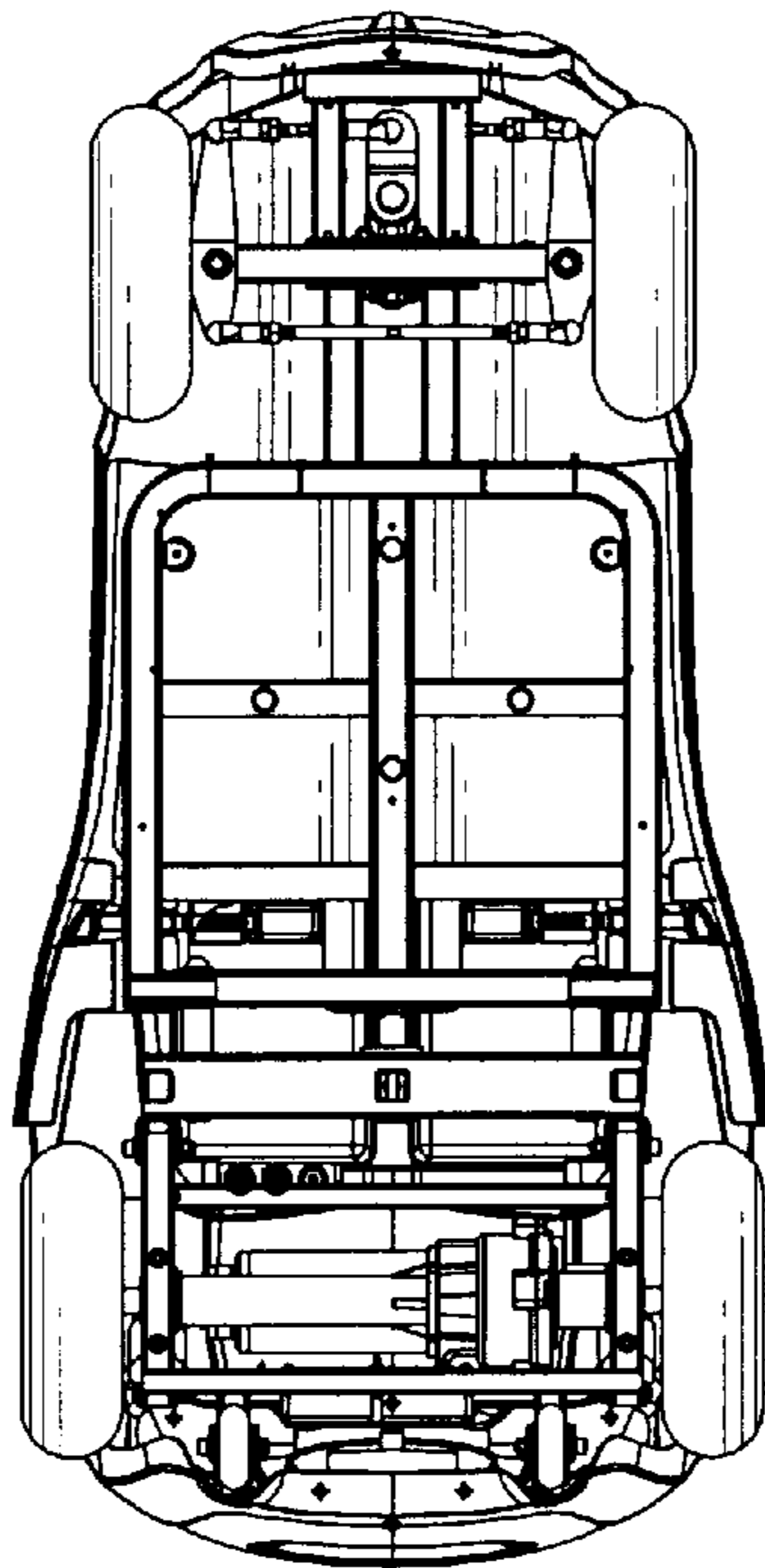


FIG. 7