



US00D511719S

(12) **United States Design Patent**
Chung

(10) **Patent No.:** **US D511,719 S**
(45) **Date of Patent:** **** Nov. 22, 2005**

(54) **WALKING ASISTANT BICYCLE**

(76) Inventor: **Charles Chung**, 235 Chung-Ho Box
8-24, Taipei (TW)

(**) Term: **14 Years**

(21) Appl. No.: **29/206,068**

(22) Filed: **May 26, 2004**

(51) **LOC (8) Cl.** **12-11**

(52) **U.S. Cl.** **D12/111; D21/423**

(58) **Field of Search** D12/107, 110,
D12/111; D21/423, 424, 426, 432, 533,
538, 760, 765; 280/47.38, 87.01, 87.03,
87.021, 87.041, 87.042, 226.1, 230, 231,
293, 295, 296, 274-278, 281.1, 283-287,
288.1-288.3; 180/219, 220, 181

(56) **References Cited**

U.S. PATENT DOCUMENTS

6,450,516 B1 * 9/2002 Nall, III 280/87.021

* cited by examiner

Primary Examiner—Alan P. Douglas
Assistant Examiner—Linda Brooks

(57) **CLAIM**

The ornamental design for a walking asistant bicycle, as shown and described.

DESCRIPTION

FIG. 1 is a perspective view of a walking asistant bicycle showing my new design.

FIG. 2 is a front elevational view thereof.

FIG. 3 is a rear elevational view thereof.

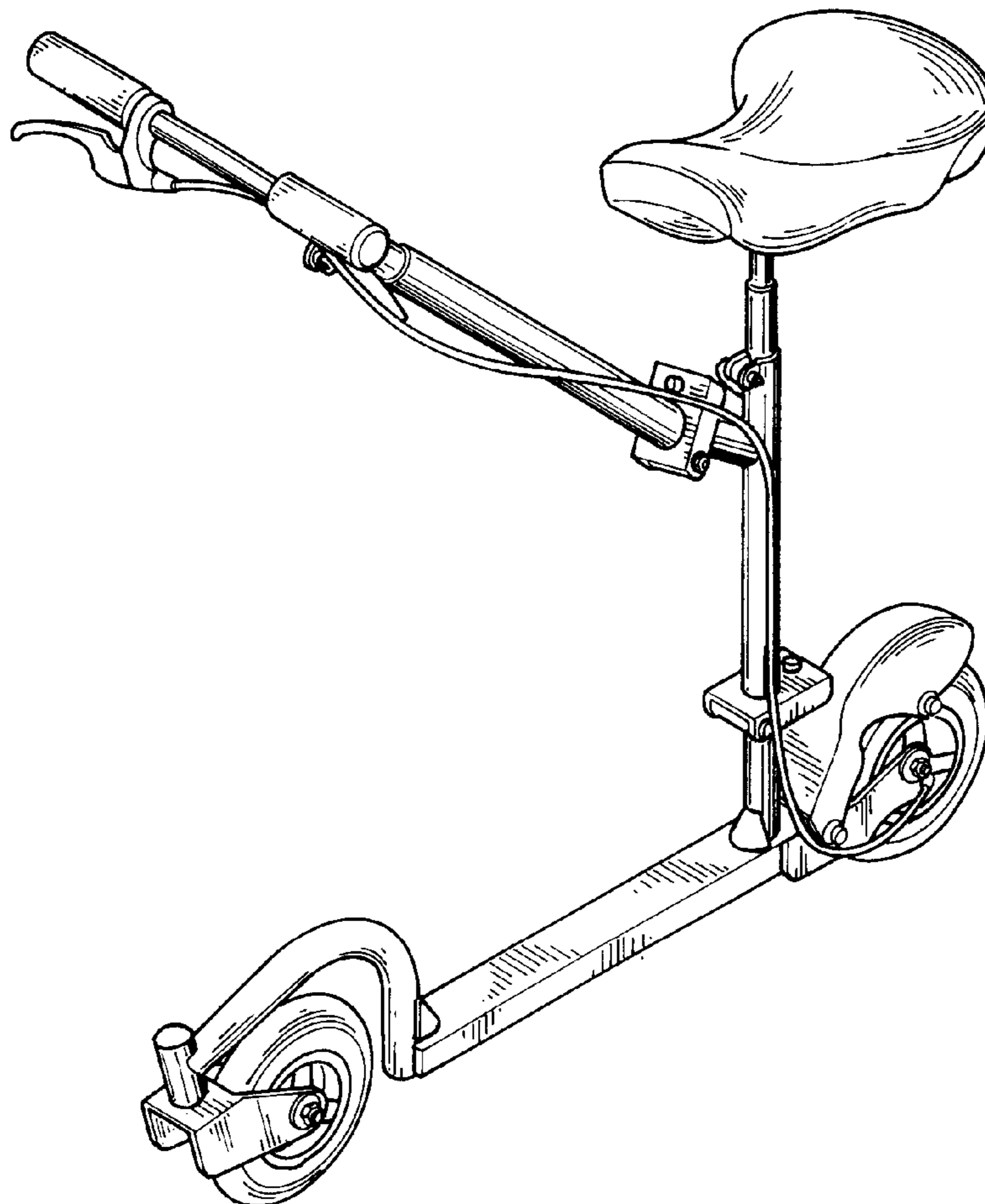
FIG. 4 is a left side view thereof;

FIG. 5 is a right side view thereof.

FIG. 6 is a top plan view thereof; and,

FIG. 7 is a bottom plan view thereof.

1 Claim, 5 Drawing Sheets



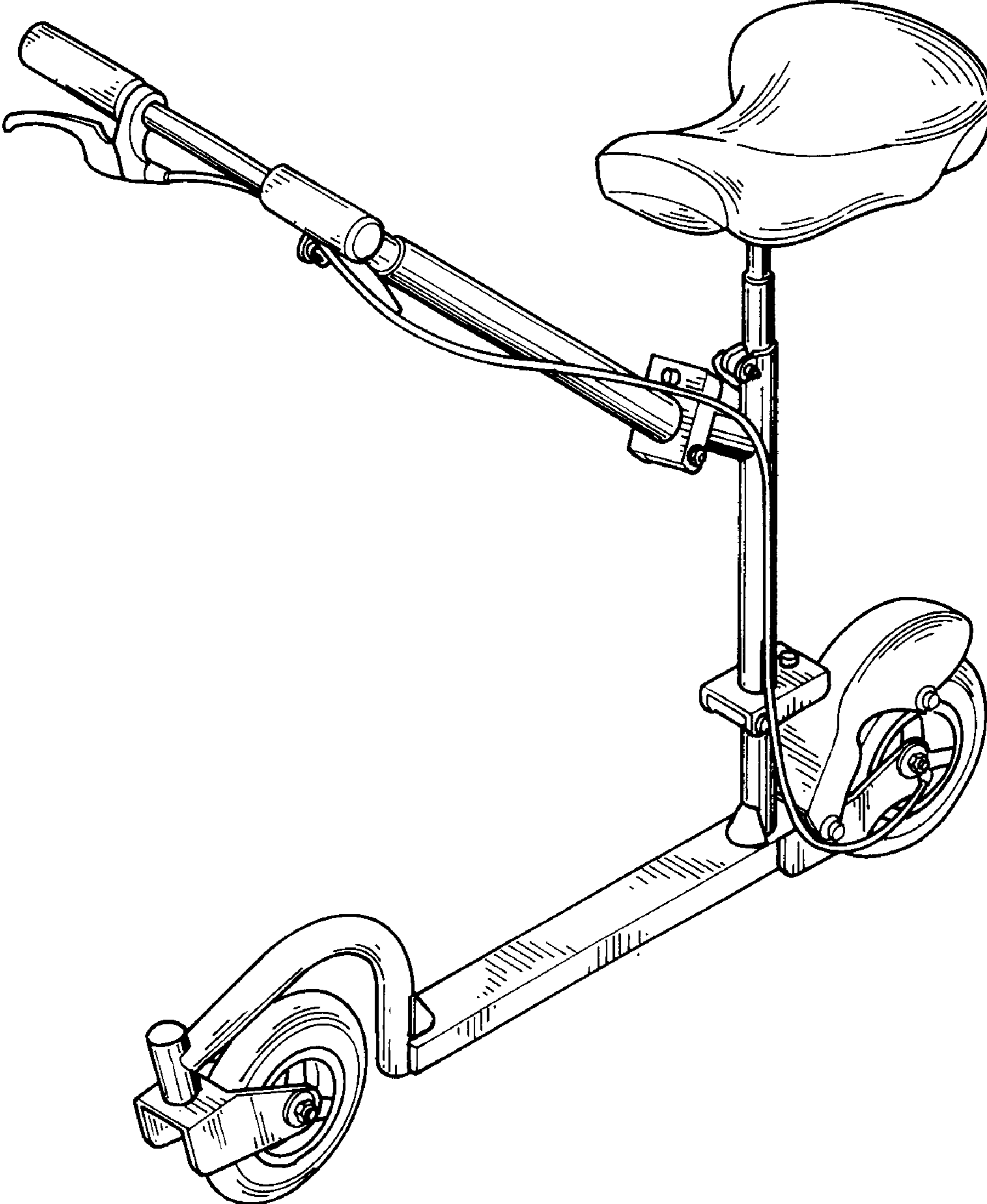


FIG. 1

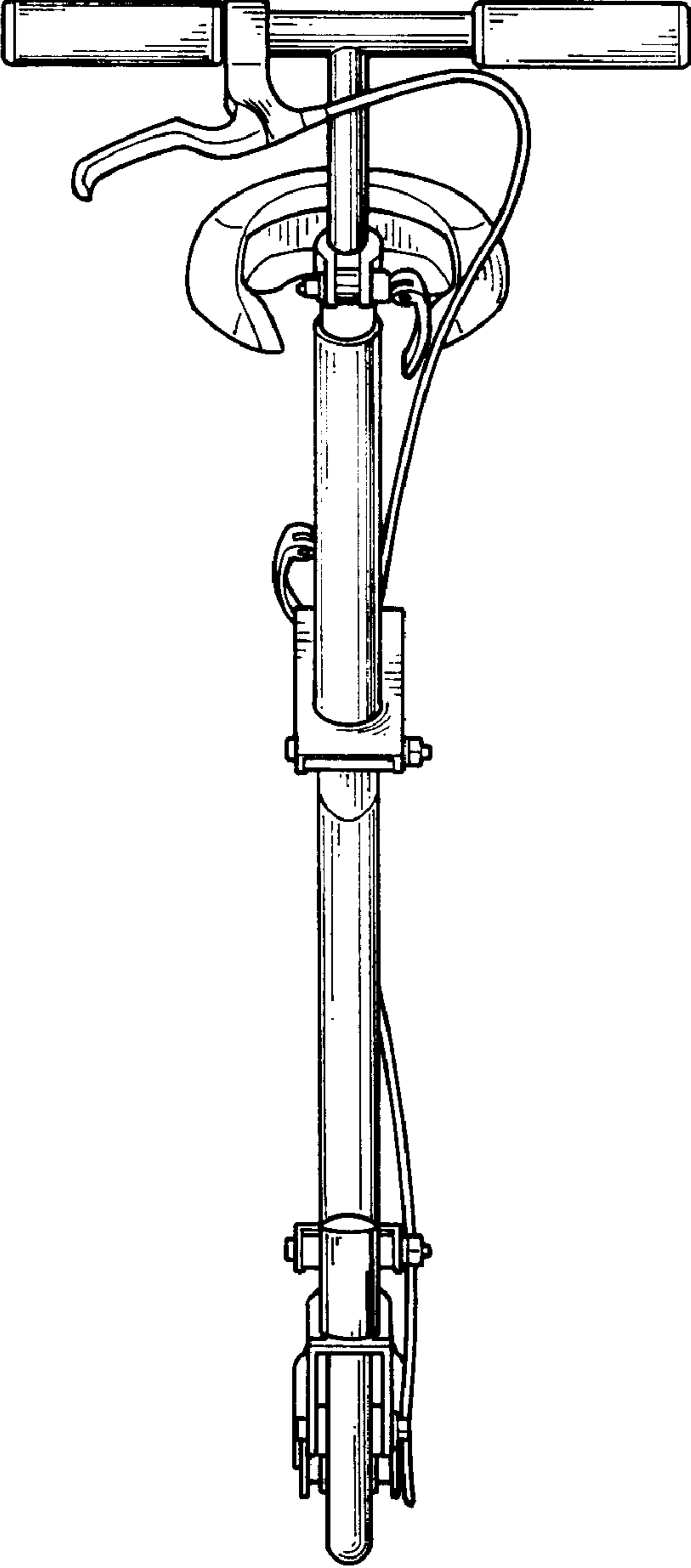


FIG. 2

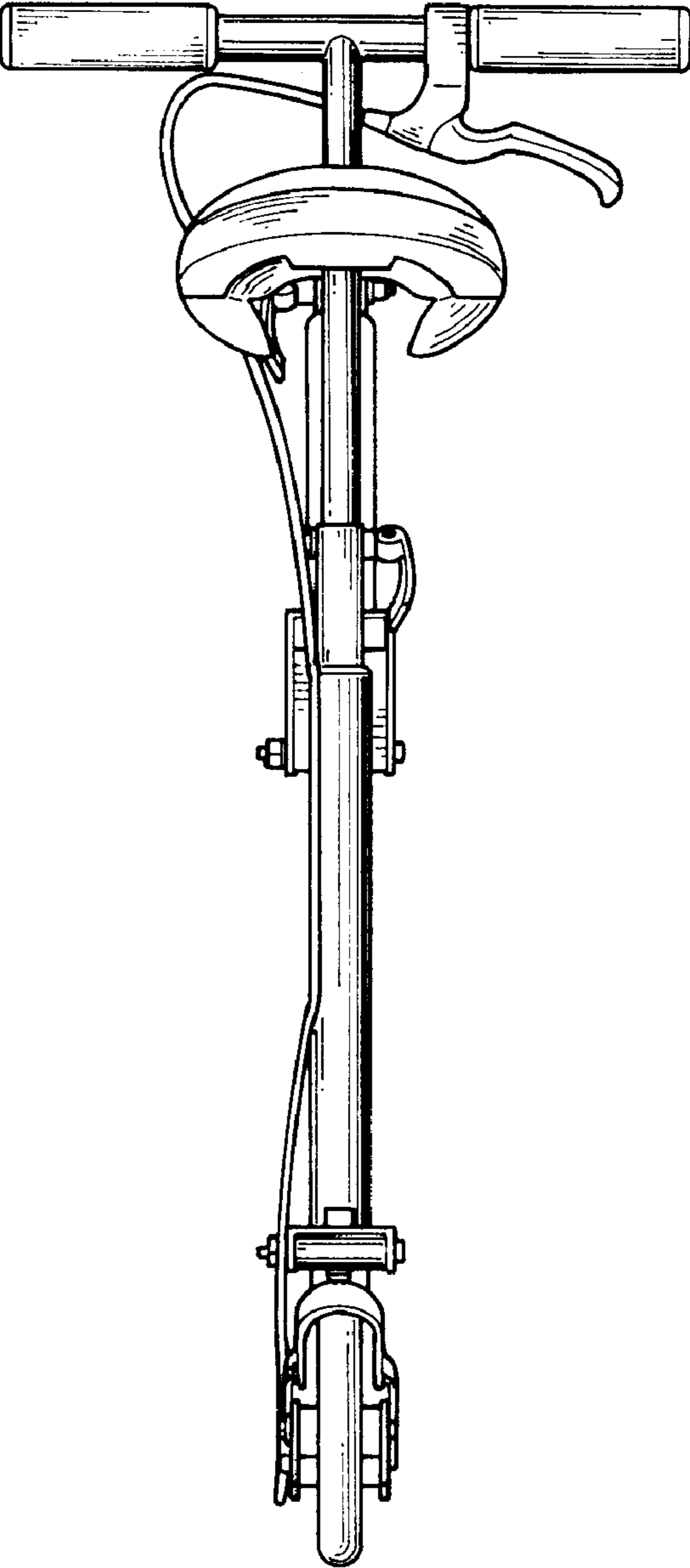


FIG. 3

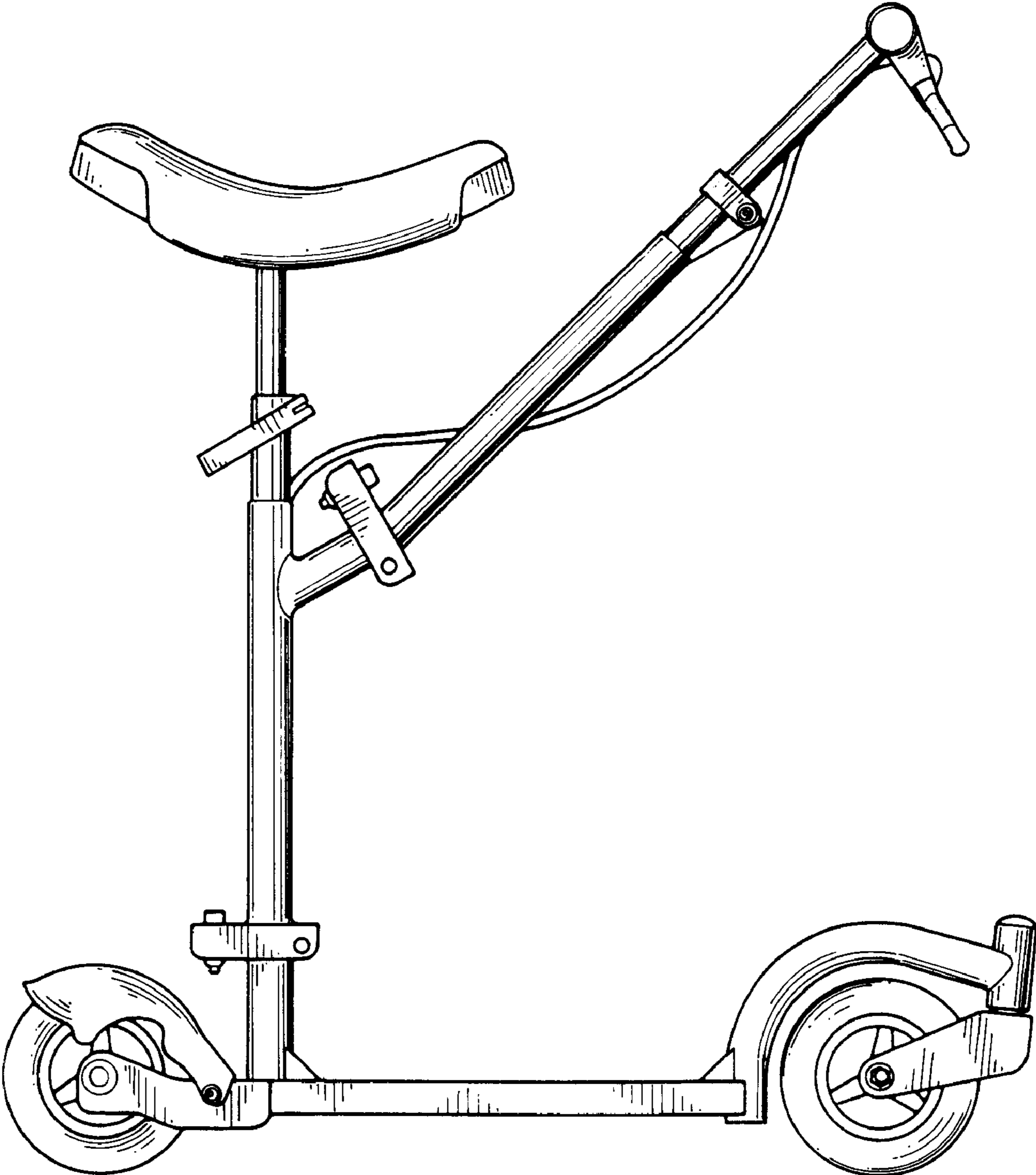


FIG. 4

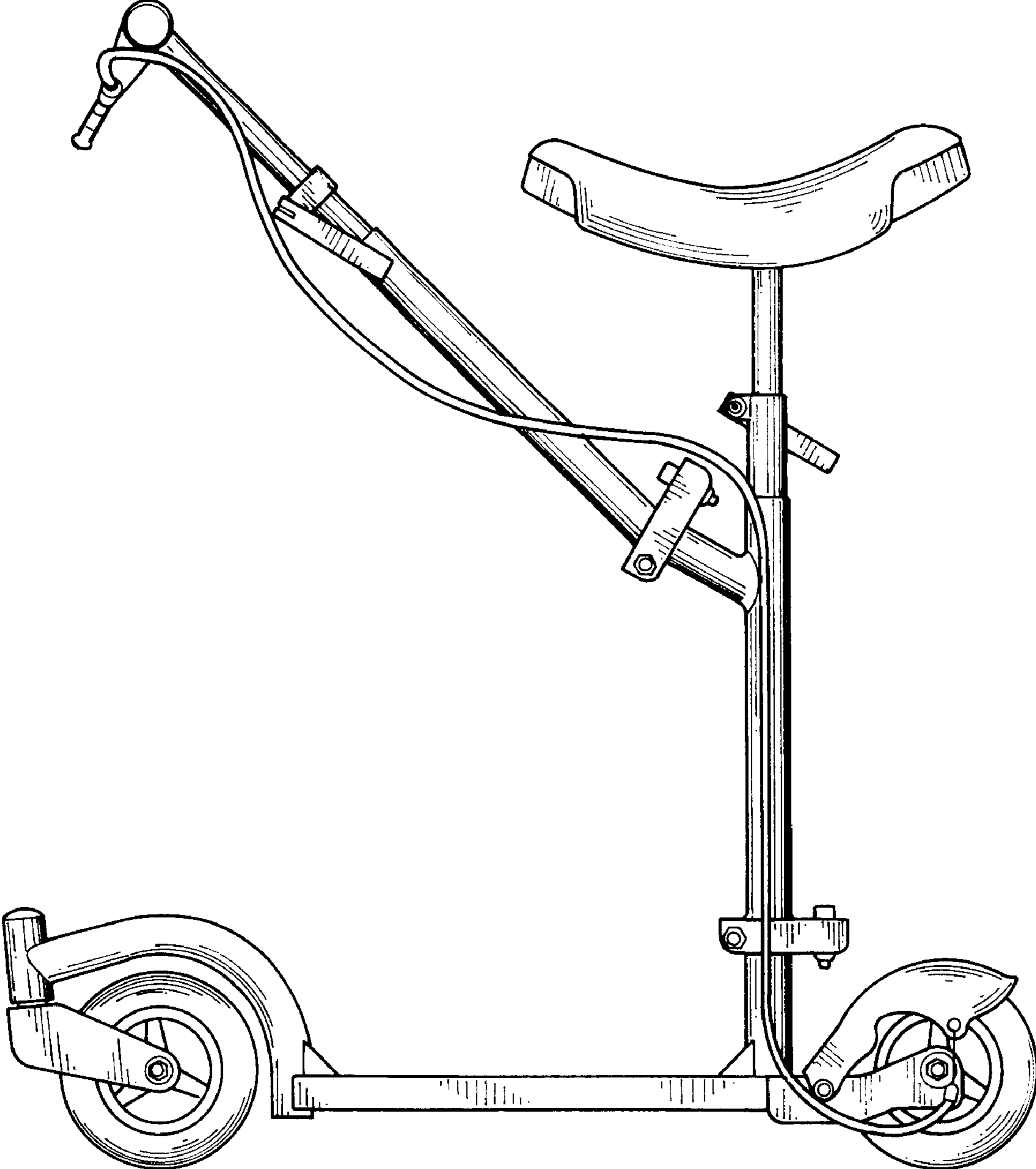


FIG. 5

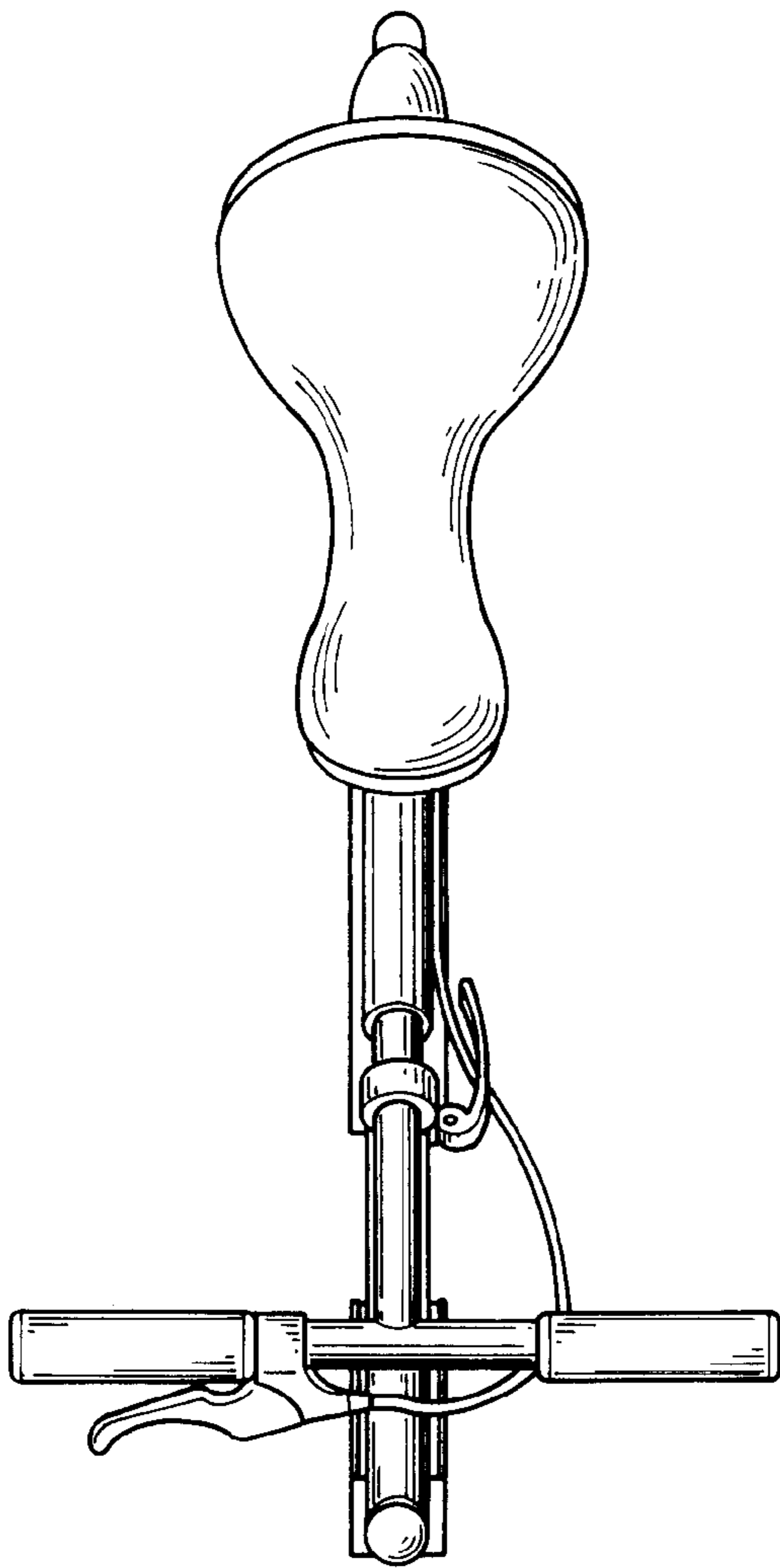


FIG. 6

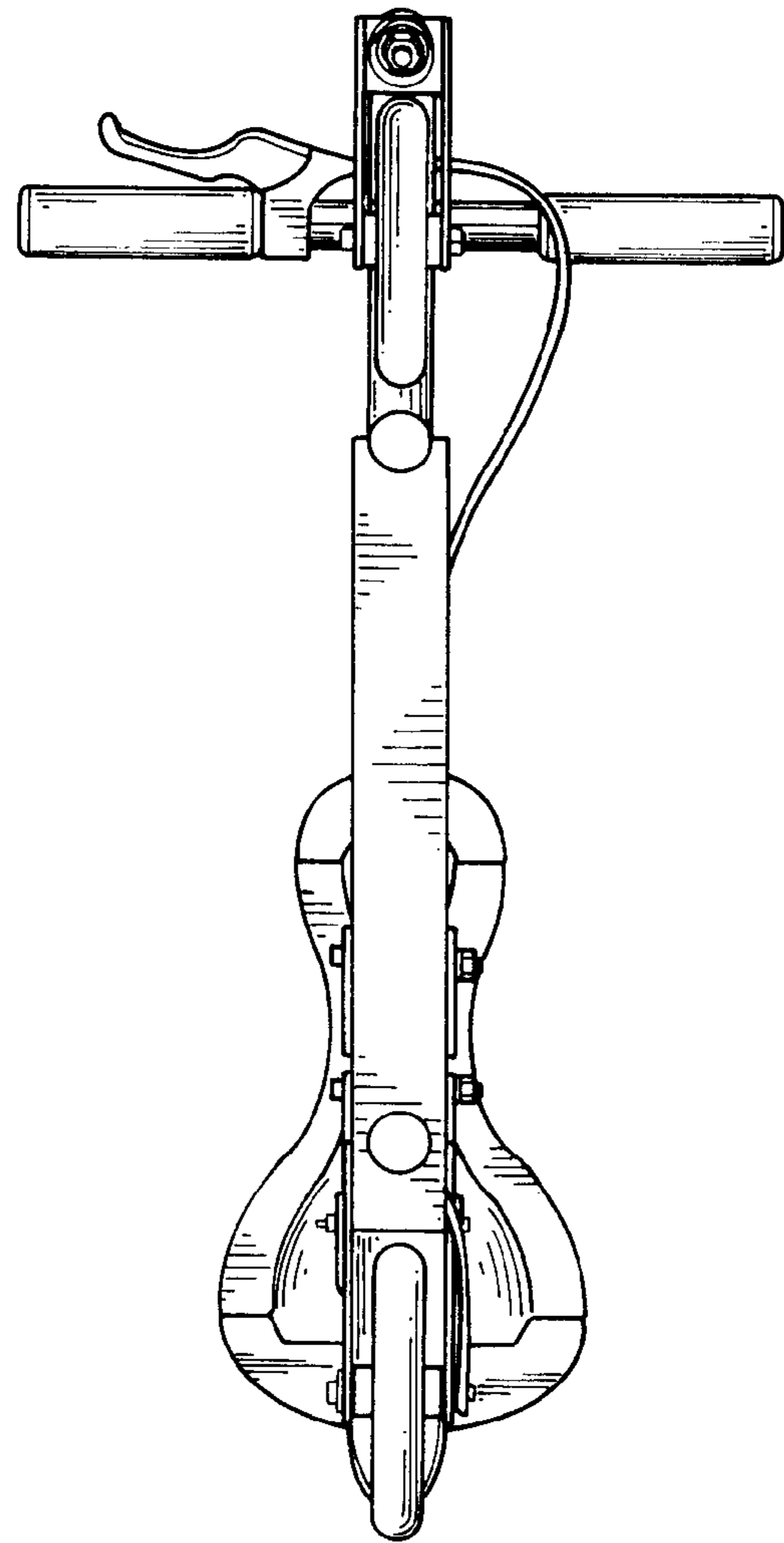


FIG. 7