

US00D511714S

(12) **United States Design Patent**
Pontaoe

(10) **Patent No.:** **US D511,714 S**

(45) **Date of Patent:** **** Nov. 22, 2005**

(54) **BUCKLE**

6,463,638 B1 * 10/2002 Pontaoe 24/614
6,711,790 B2 * 3/2004 Pontaoe 24/633
6,796,007 B1 * 9/2004 Anscher 24/633

(75) **Inventor:** **John S. Pontaoe**, Chicago, IL (US)

(73) **Assignee:** **Illinois Tool Works Inc.**, Glenview, IL (US)

* cited by examiner

Primary Examiner—Ralf Seifert

(**) **Term:** **14 Years**

(74) *Attorney, Agent, or Firm*—Mark W. Croll; Paul F. Donovan

(21) **Appl. No.:** **29/198,839**

(57) **CLAIM**

(22) **Filed:** **Feb. 5, 2004**

The ornamental design for a buckle, as shown and described herein.

(51) **LOC (8) Cl.** **07-02**

(52) **U.S. Cl.** **D11/216**

(58) **Field of Search** D11/200, 201,
D11/208–210, 212–218, 220, 230–234,
237, 86–87, 94; 63/15.2, 15; 24/307, 625,
616, 200, 196, 171, 169, 112, 633

DESCRIPTION

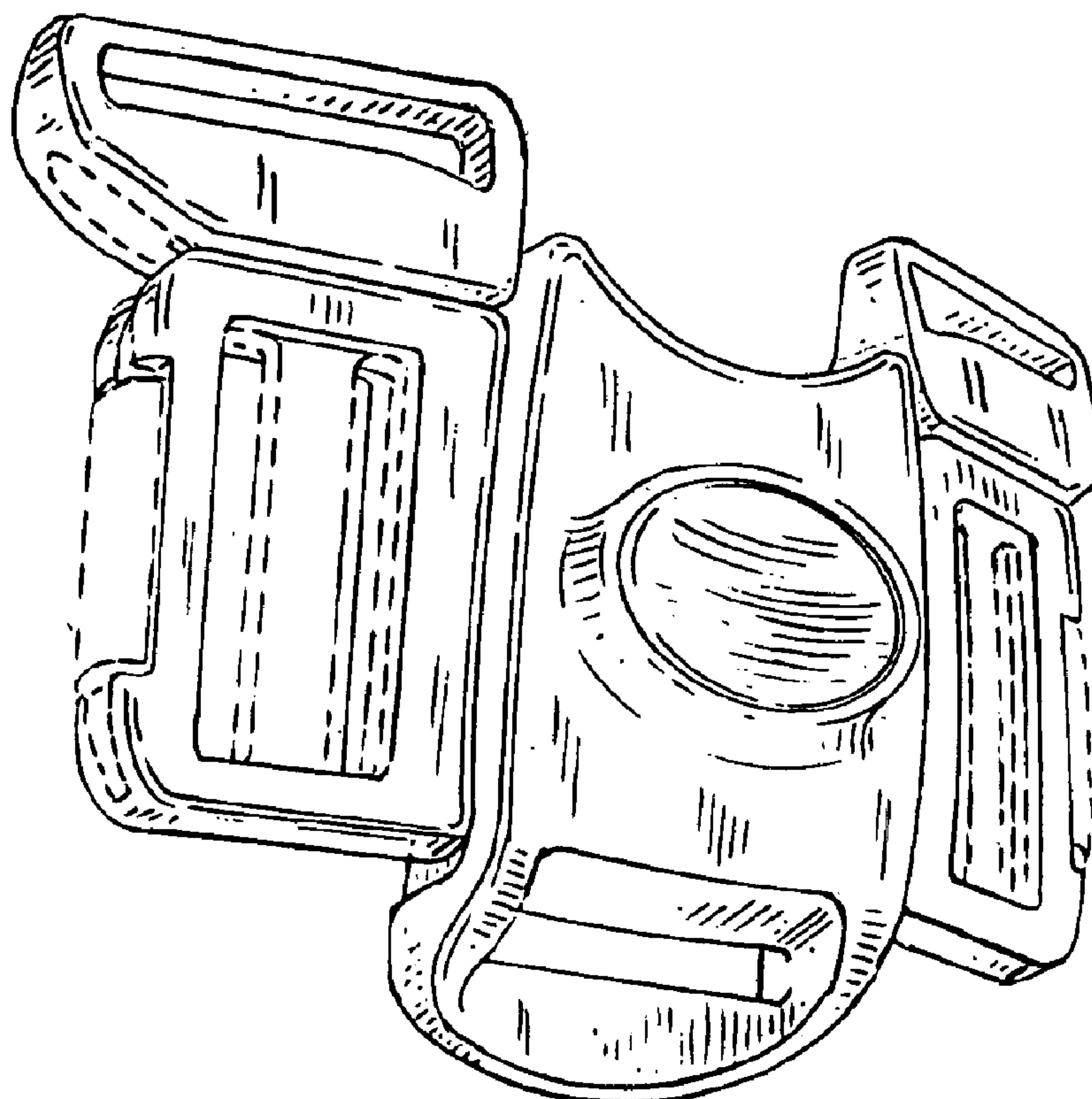
(56) **References Cited**

U.S. PATENT DOCUMENTS

- D342,465 S * 12/1993 Anthony et al. D11/218
- D351,122 S * 10/1994 Janeke D11/216
- D364,124 S * 11/1995 Lortz et al. D11/216
- D389,426 S * 1/1998 Merrick et al. D11/216
- 6,061,883 A * 5/2000 Uehara 24/625
- D454,092 S * 3/2002 Lindblad D11/200

FIG. 1 is a perspective view of a buckle showing the new design;
 FIG. 2 is a left side view thereof, the right side being the same as the left side;
 FIG. 3 is a back side elevational view thereof;
 FIG. 4 is a top plan view thereof; and,
 FIG. 5 is a front side elevational view thereof.
 The bottom of the buckle is not viewable when in use. Thus, the bottom view has not been provided. The broken line portions of the disclosure are for illustrative purposes only and form no part of the claimed design.

1 Claim, 2 Drawing Sheets



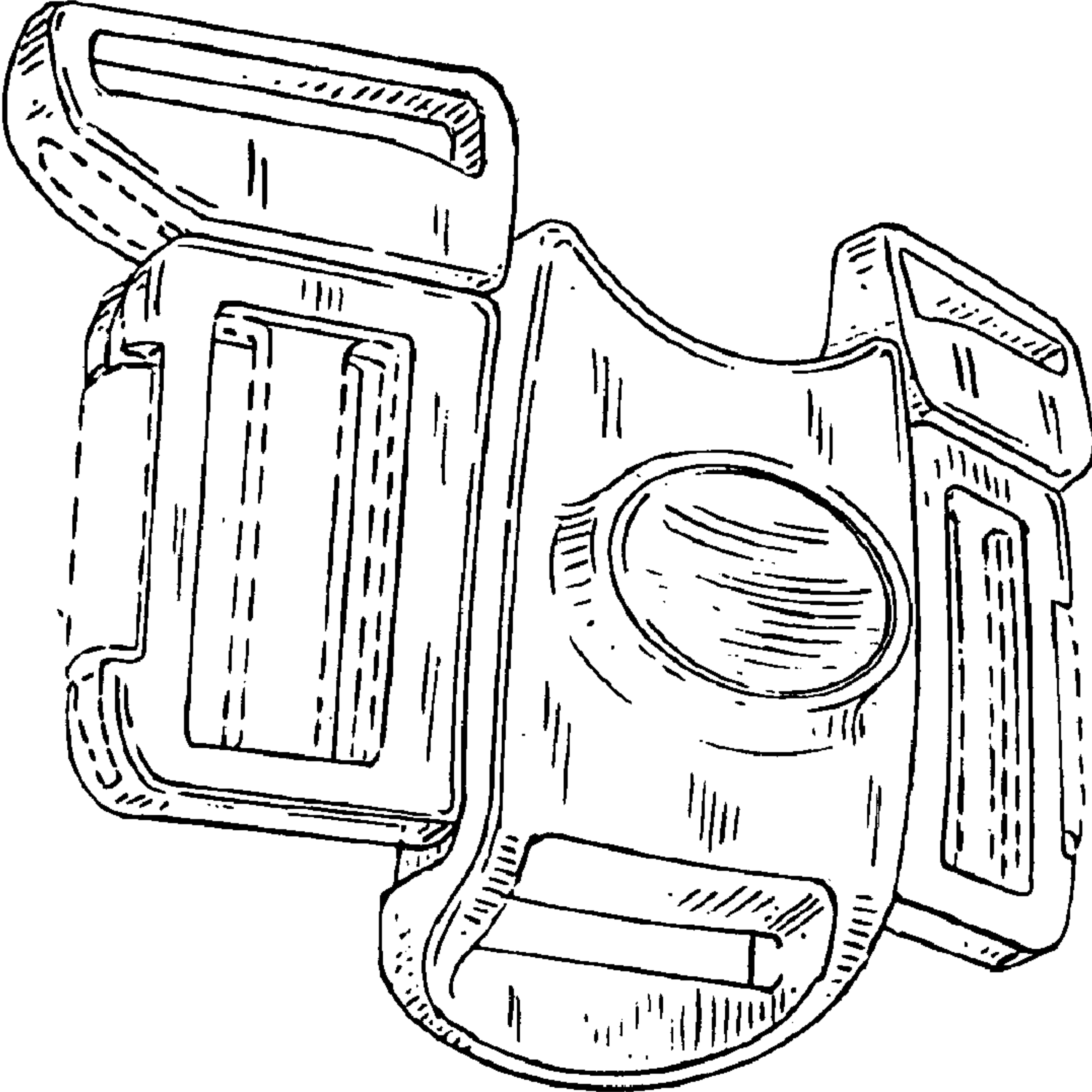


Fig. 1

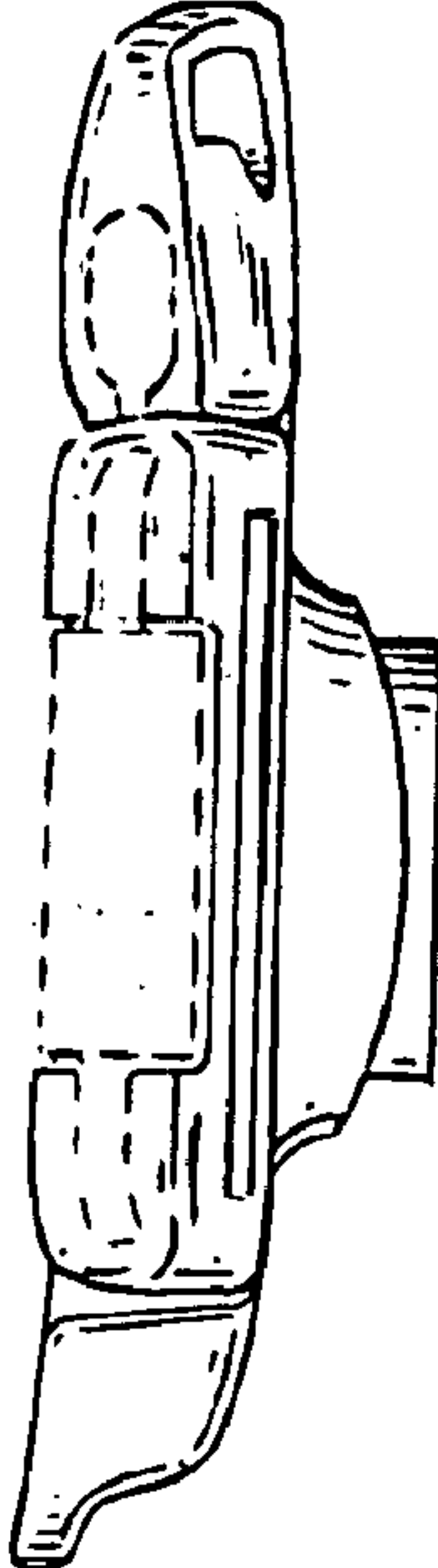


Fig. 2

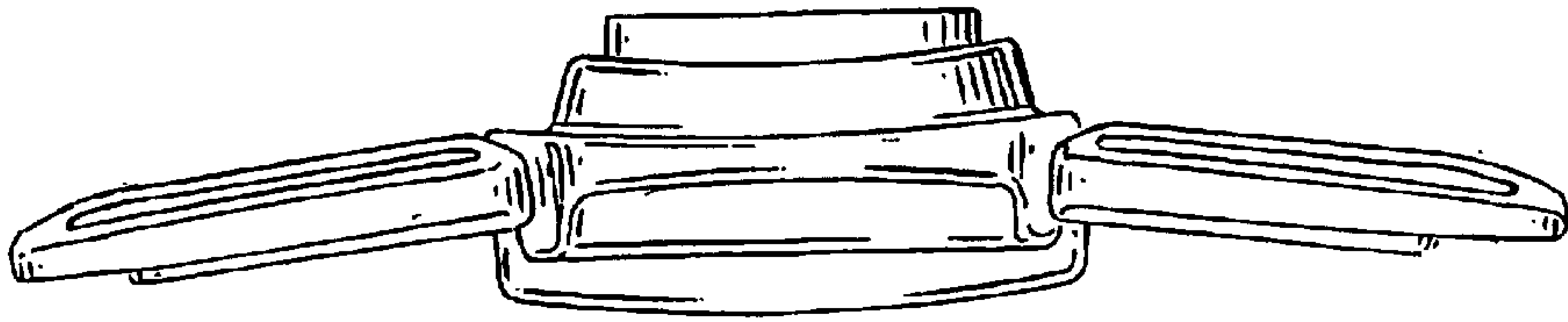


Fig. 3

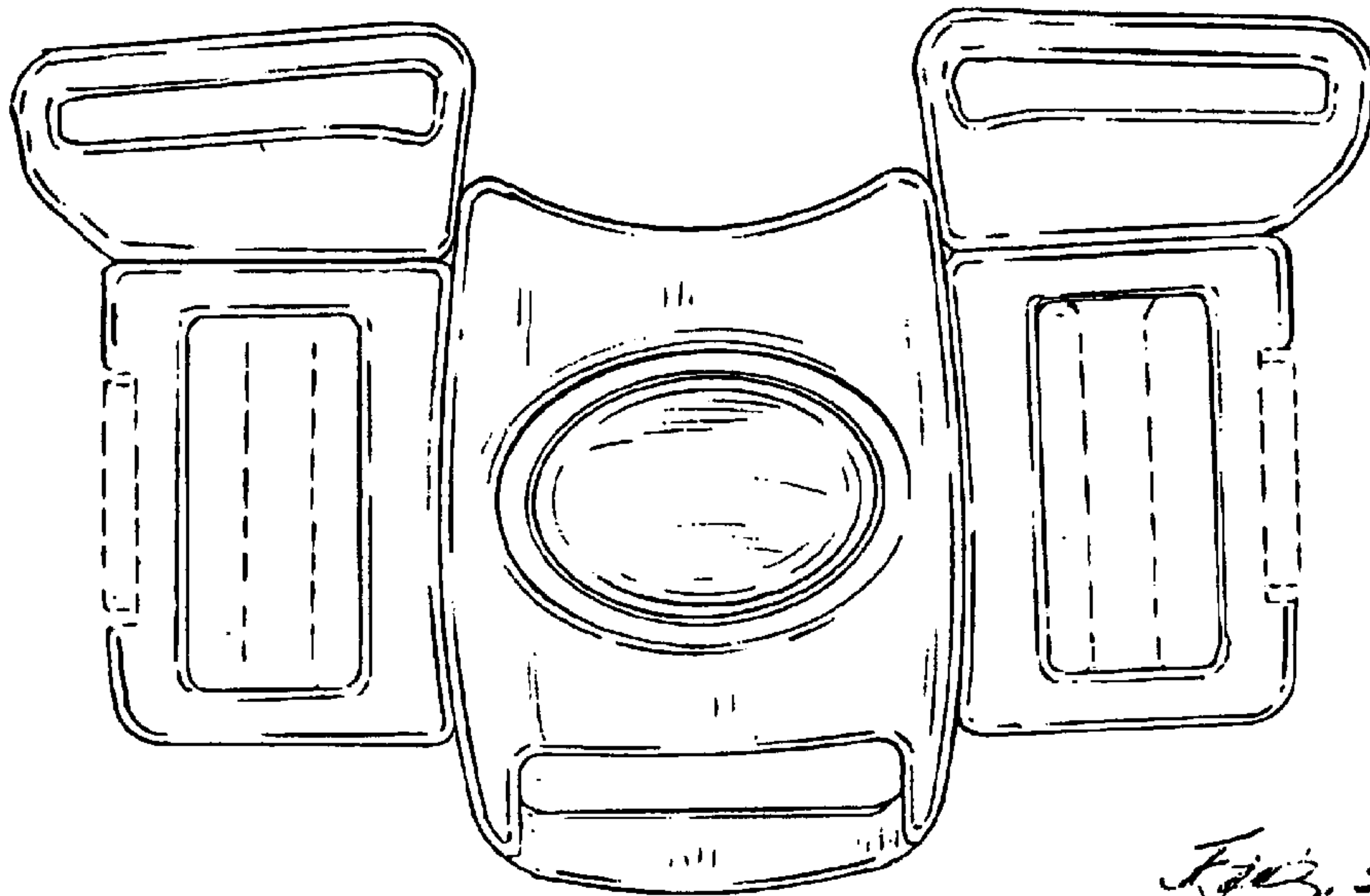


Fig. 4

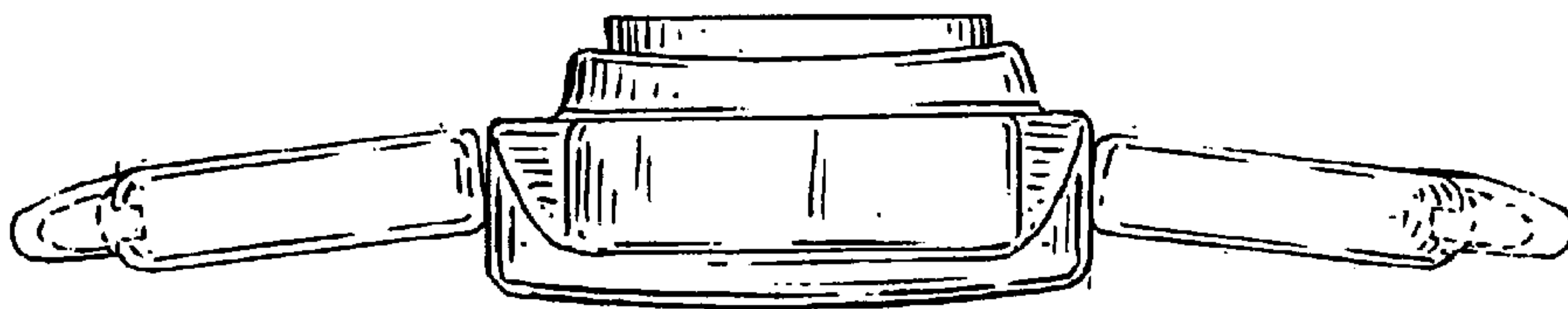


Fig. 5