



US00D511713S

(12) **United States Design Patent**
Carbonero

(10) **Patent No.:** **US D511,713 S**

(45) **Date of Patent:** **** Nov. 22, 2005**

(54) **QUICK-RELEASE TEAR DROP BUCKLE
FOR A CHASE AND CATCH GAME**

D459,273 S * 6/2002 Murata D11/216
D468,233 S * 1/2003 Della Valle D11/216

(75) **Inventor:** **Kurt K. Carbonero**, Rochester, MI
(US)

(73) **Assignee:** **Pull-Buoy, Inc.**, Sterling Heights, MI
(US)

(**) **Term:** **14 Years**

(21) **Appl. No.:** **29/203,727**

(22) **Filed:** **Apr. 19, 2004**

(51) **LOC (8) Cl.** **02-07**

(52) **U.S. Cl.** **D11/212**

(58) **Field of Search** D11/200, 201,
D11/208-210, 212-218, 220, 230-234,
237, 86-87, 94; 63/15.2, 15; 24/307, 625,
616, 200, 196, 171, 169, 112

(56) **References Cited**

U.S. PATENT DOCUMENTS

1,886,882 A * 11/1932 Huber 24/698.1
D91,276 S * 1/1934 Lipman D11/212
D269,389 S * 6/1983 Wood D11/212
D352,680 S * 11/1994 Matoba D11/216
D418,449 S * 1/2000 Lawrence, Jr. D11/212

OTHER PUBLICATIONS

Gym Closet 2000, Teaching Aids—Velcro Flag Belts, p. 126.

Gym Closet 2000, Team Sports—Flag Football Belts, p. 16.

* cited by examiner

Primary Examiner—Ralf Seifert

(74) *Attorney, Agent, or Firm*—Reising, Ethington, Barnes, Kisselle, P.C.

(57) **CLAIM**

The ornamental design for a quick-release tear drop buckle for a chase and catch game, as shown and described.

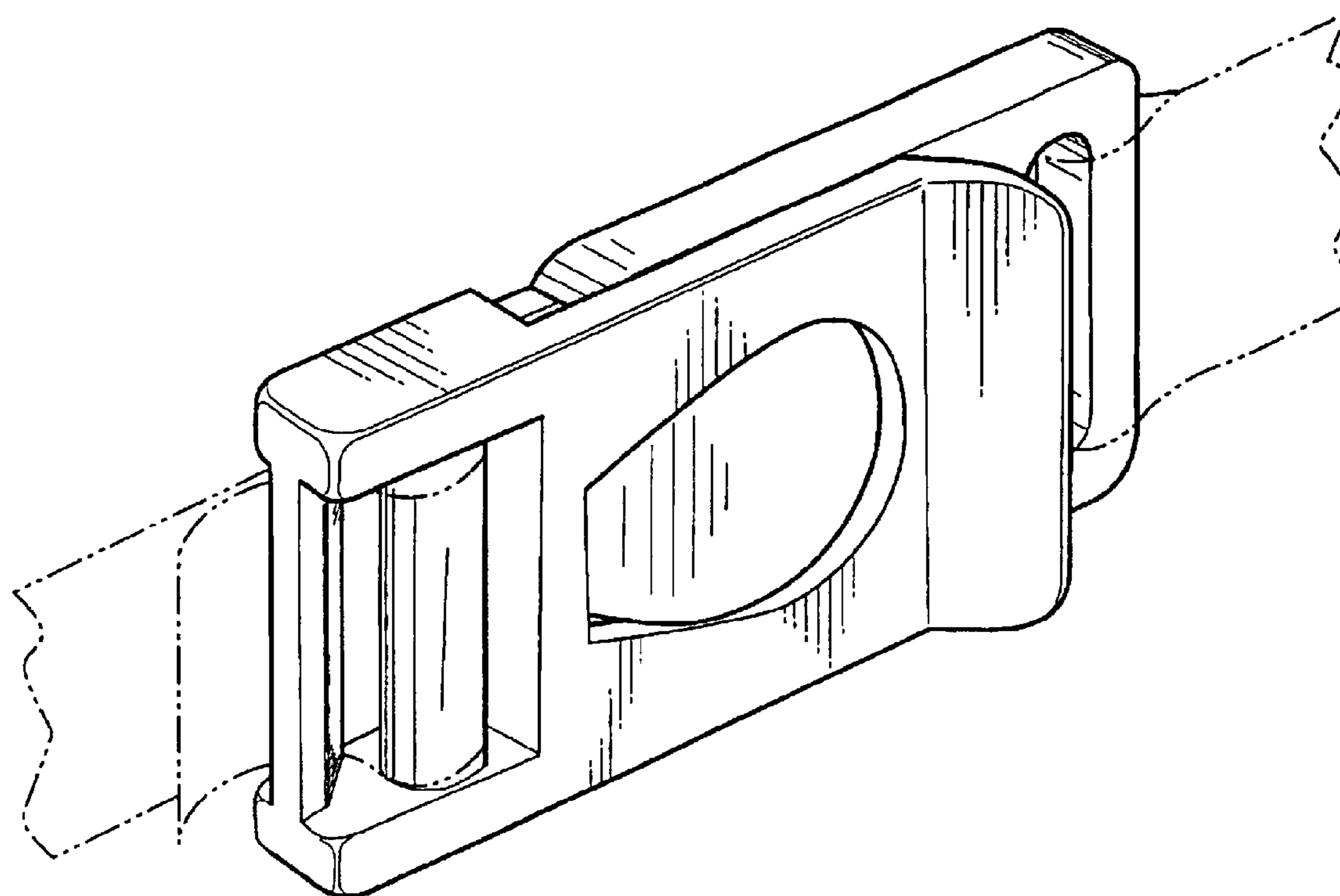
DESCRIPTION

FIG. 1 is a perspective view of a quick-release tear drop buckle for a chase and catch game shown in an unattached configuration;

FIG. 2 is a similar perspective view of the quick-release tear drop buckle shown in the attached configuration; and,

FIG. 3 is a side view of the quick-release tear drop buckle shown in an unattached configuration.

1 Claim, 2 Drawing Sheets



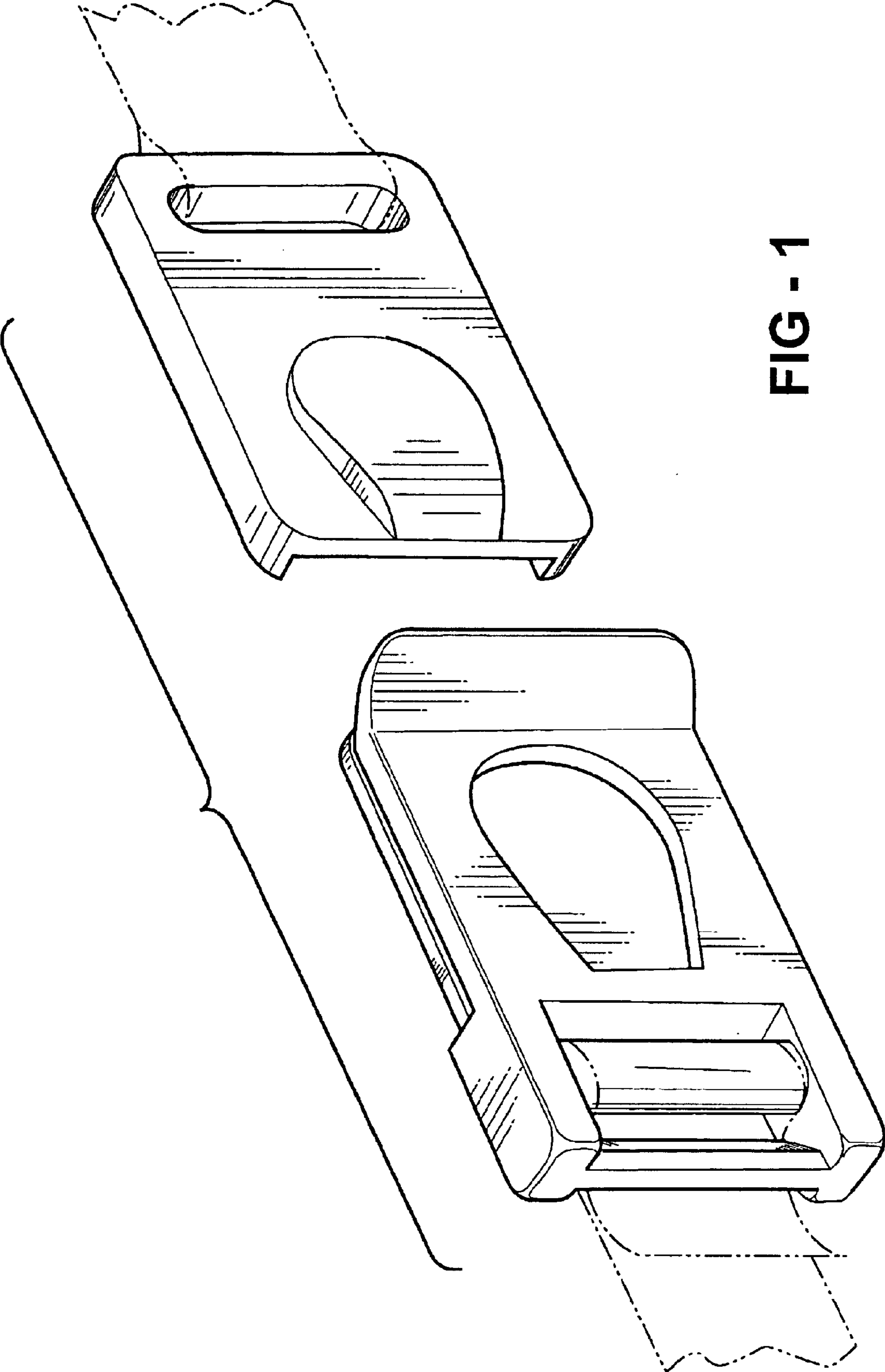


FIG - 1

FIG - 2

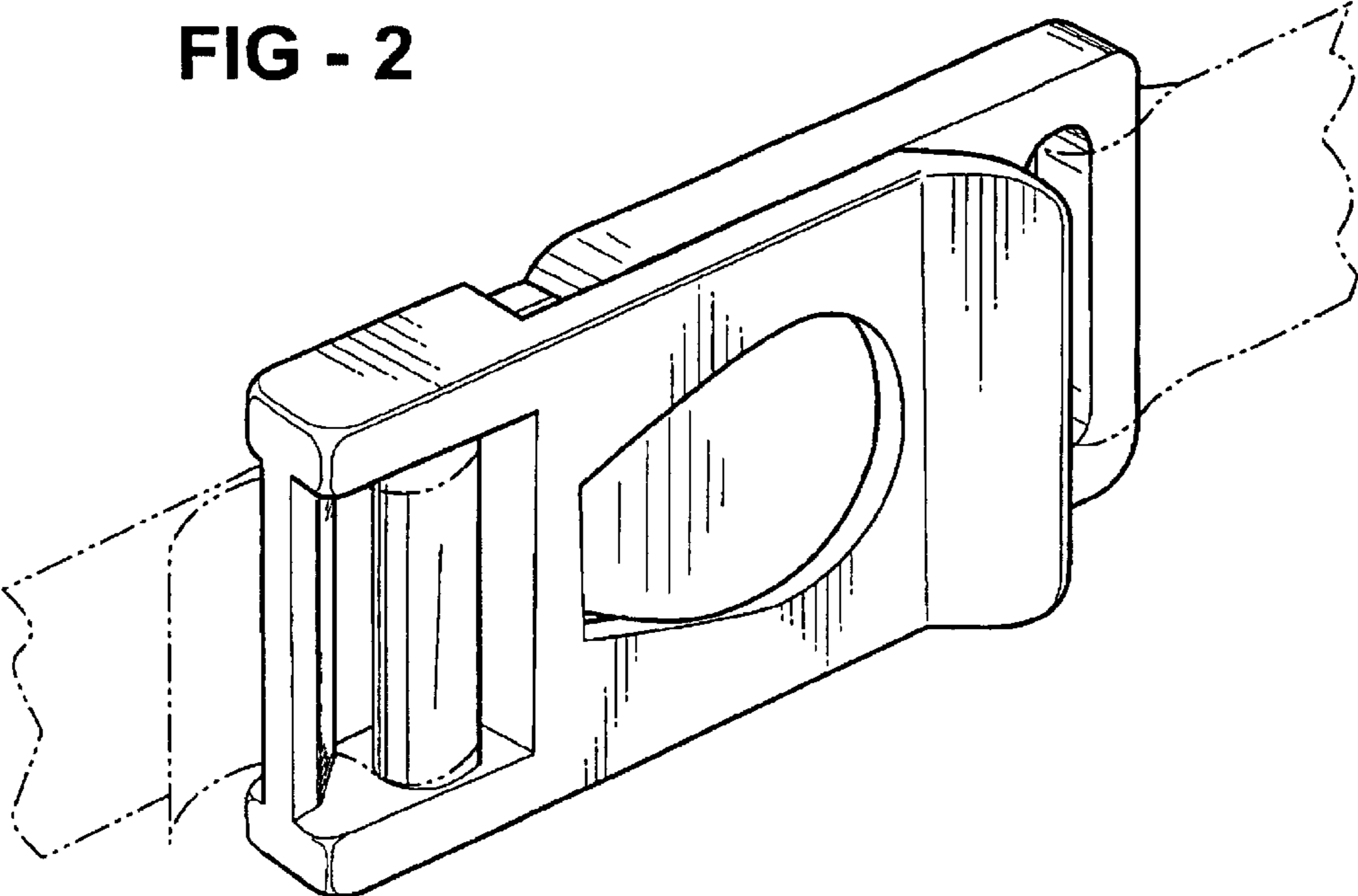


FIG - 3

