



US00D511703S

(12) **United States Design Patent**
Moyer

(10) **Patent No.:** **US D511,703 S**

(45) **Date of Patent:** **** Nov. 22, 2005**

(54) **BATTERY-POWERED LEAK DETECTION
DEVICE WITH FLOOR-MOUNTED WATER
SENSOR AND AUTOMATIC SHUT-OFF
VALVE**

6,792,967 B1 * 9/2004 Franklin 137/312
6,810,902 B2 * 11/2004 Bootka 137/312

* cited by examiner

(76) **Inventor:** **Daryl R. Moyer**, 9102 Trevi Cir. W.,
Jacksonville, FL (US) 32257

Primary Examiner—Antoine D. Davis

(74) *Attorney, Agent, or Firm*—Donald R. Schoonover

(**) **Term:** **14 Years**

(57) **CLAIM**

(21) **Appl. No.:** **29/203,427**

I claim; The ornamental design for a battery-powered leak detection device with floor-mounted water sensor and automatic shut-off valve, as shown and described.

(22) **Filed:** **Apr. 15, 2004**

DESCRIPTION

(51) **LOC (8) Cl.** **10-04**

(52) **U.S. Cl.** **D10/101**

(58) **Field of Search** D10/101; 73/304 R;
137/59, 79, 78.1, 80, 312; 200/61.05; 340/604-605,
691.4

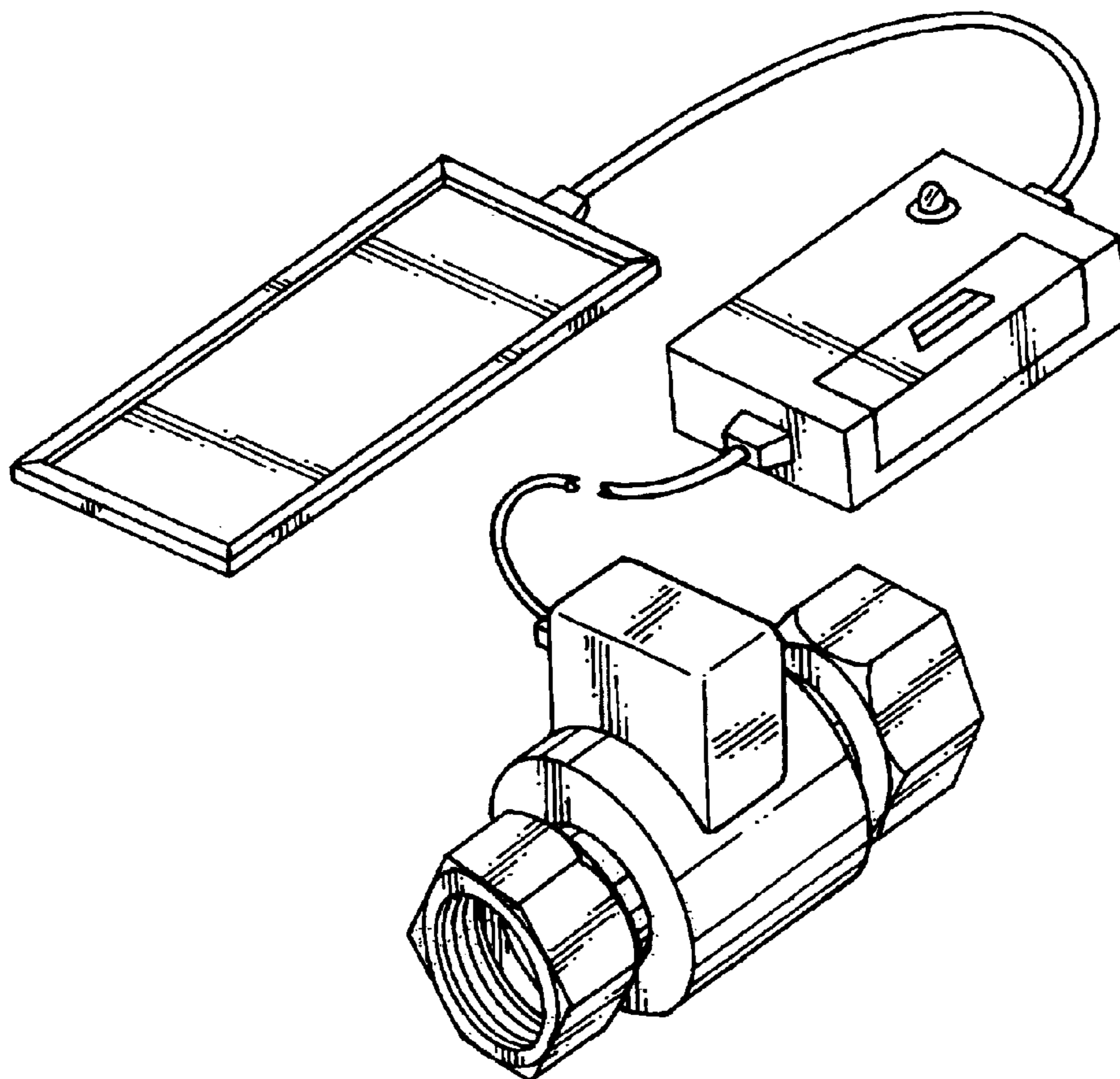
FIG. 1 is a perspective view of a battery-powered leak detection device with floor-mounted water sensor and automatic shut-off valve showing my new design; FIG. 2 is a left side elevational view thereof; FIG. 3 is an elevational view of the opposing side thereof; FIG. 4 is an end elevational view thereof; FIG. 5 is an elevational view of the opposing end thereof; FIG. 6 is a top plan view thereof; FIG. 7 is a bottom plan view thereof; and, FIG. 8 is a reduced side elevational view showing the battery-powered leak detection device with floor-mounted water sensor and automatic shuf-off valve in use; the broken lines depict environmental structure for illustrative purposes only and form no part of the claimed design.

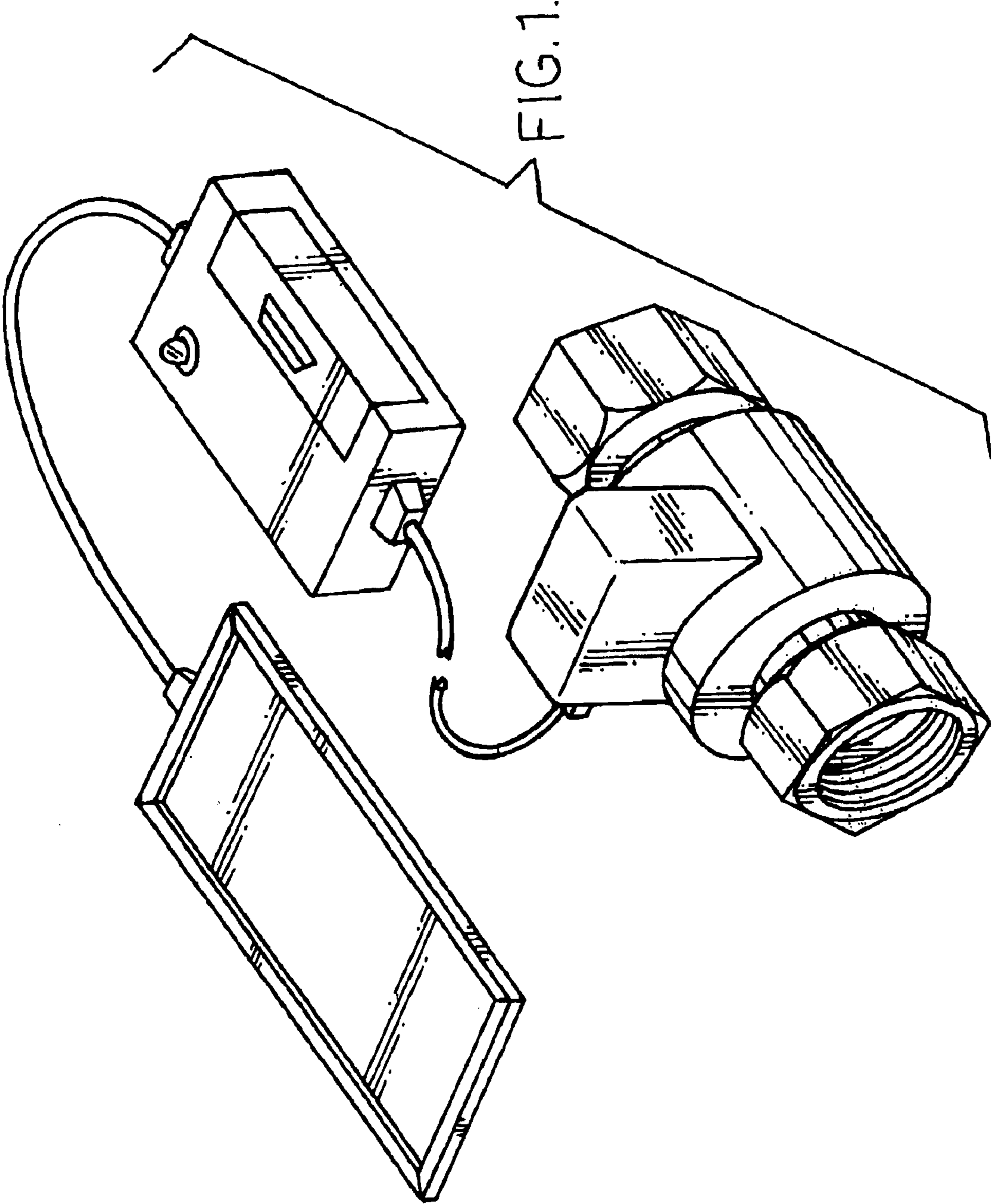
(56) **References Cited**

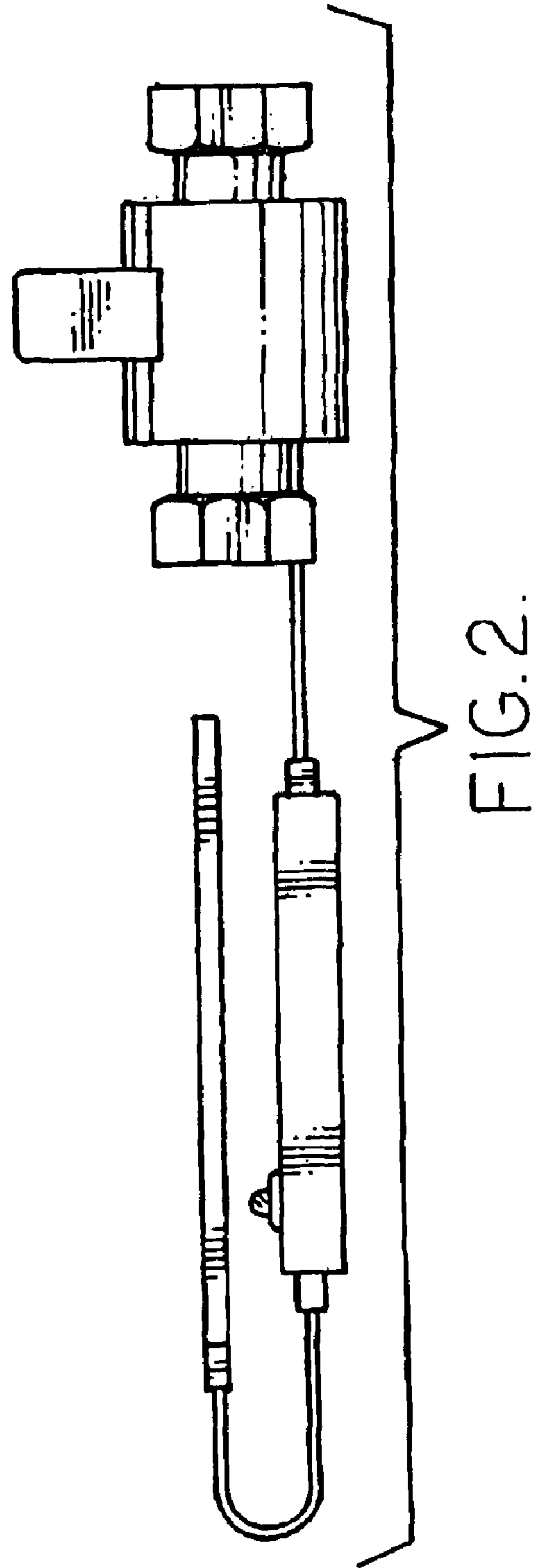
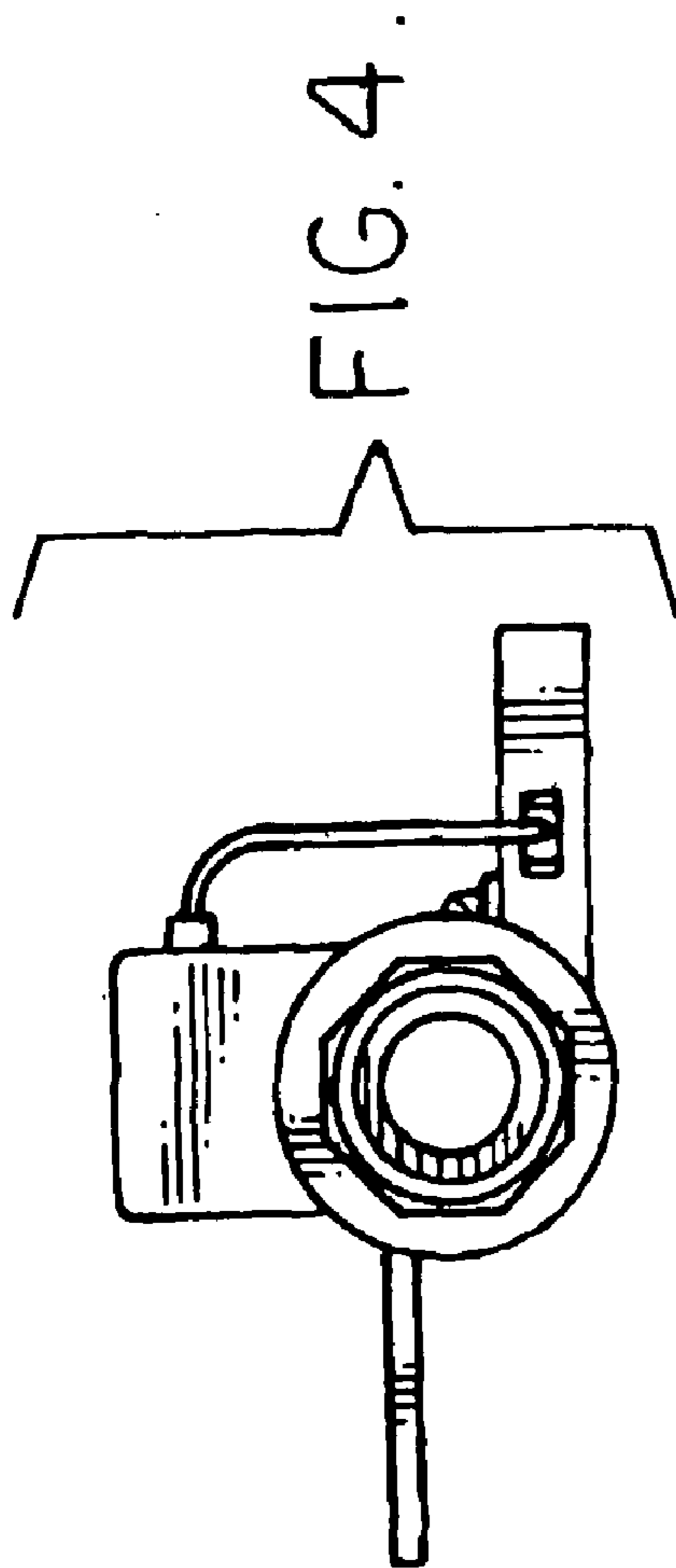
U.S. PATENT DOCUMENTS

4,325,060 A	4/1982	Purtell et al.	
4,845,472 A	7/1989	Gordon et al.	
5,090,436 A	2/1992	Hoch, Jr. et al.	
5,091,715 A	2/1992	Murphy	
D363,444 S	* 10/1995	Davis D10/101
5,655,561 A	8/1997	Wendel et al.	
5,844,492 A	* 12/1998	Buffin, Sr. 137/312
6,389,852 B1	* 5/2002	Montgomery 137/312

1 Claim, 4 Drawing Sheets







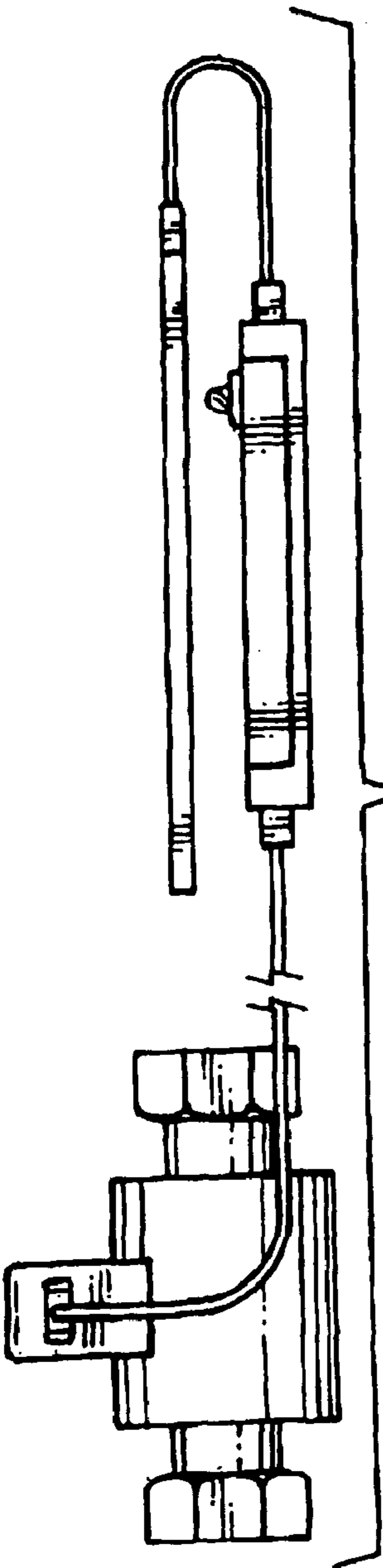


FIG. 3.

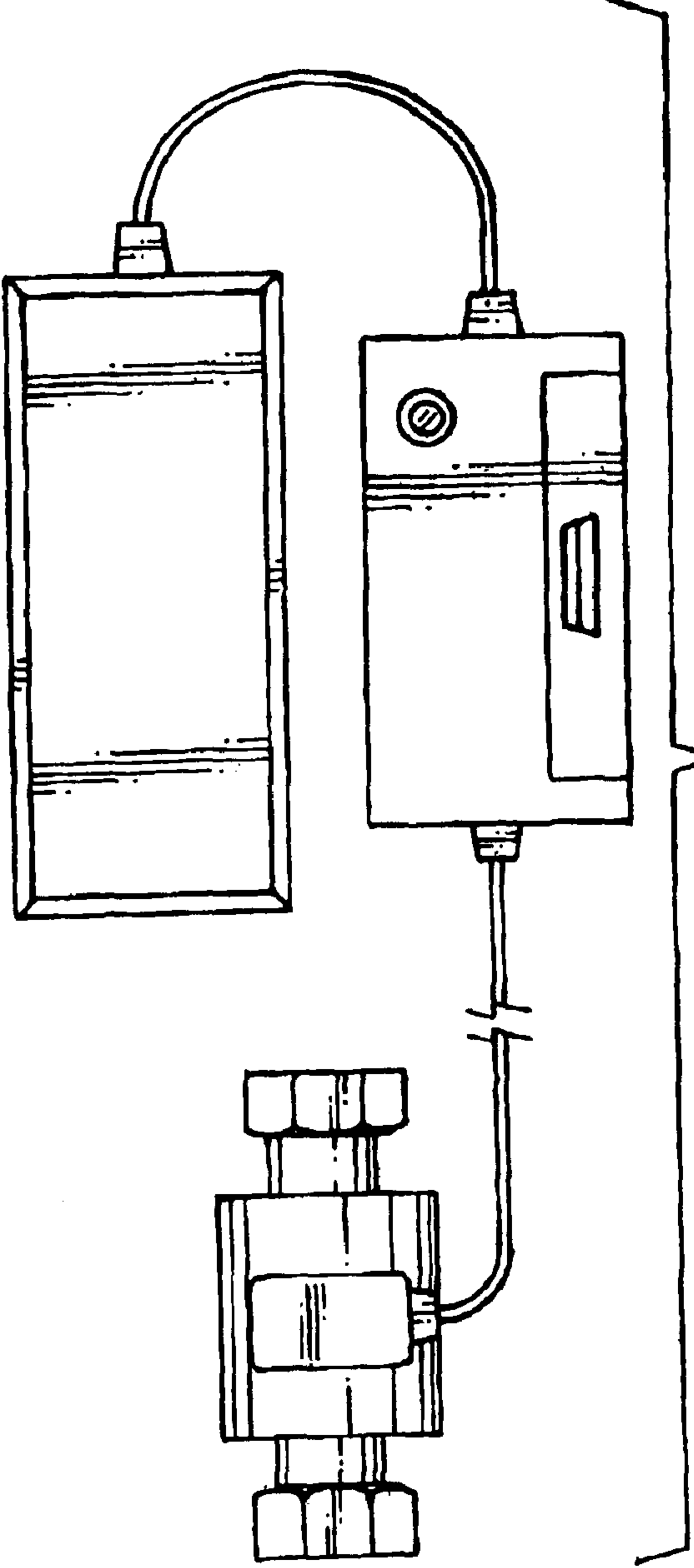


FIG. 6.

