



US00D511702S

(12) **United States Design Patent**  
**Murase**

(10) **Patent No.:** **US D511,702 S**  
(45) **Date of Patent:** **\*\* Nov. 22, 2005**

(54) **SCALE**

(75) **Inventor:** **Miwako Murase, Tokyo (JP)**

(73) **Assignee:** **Tanita Corporation, Tokyo (JP)**

(\*\*) **Term:** **14 Years**

(21) **Appl. No.:** **29/215,471**

(22) **Filed:** **Oct. 21, 2004**

(30) **Foreign Application Priority Data**

Apr. 28, 2004 (JP) ..... 2004-013005

(51) **LOC (8) Cl.** ..... **10-04**

(52) **U.S. Cl.** ..... **D10/92**

(58) **Field of Search** ..... D10/92; 177/238-241,  
177/25.13, 25.16, 126, 127; 600/506, 547

(56) **References Cited**

**U.S. PATENT DOCUMENTS**

- D458,169 S \* 6/2002 Shibata et al. .... D10/92
- D472,485 S \* 4/2003 Murase ..... D10/92
- D495,965 S \* 9/2004 Andrieu ..... D10/92
- D503,899 S \* 4/2005 Yamada et al. .... D10/92

\* cited by examiner

*Primary Examiner*—Antoine D. Davis

(74) *Attorney, Agent, or Firm*—McDermott Will & Emery LLP

(57) **CLAIM**

The ornamental design for scale, as shown and described.

**DESCRIPTION**

FIG. 1 is a front perspective view of a first embodiment of the scale showing the new design;

FIG. 2 is a front view of the first embodiment of the scale;

FIG. 3 is a rear view of the first embodiment of the scale;

FIG. 4 is a side view of the first embodiment of the scale;

FIG. 5 is another side view of the first embodiment of the scale;

FIG. 6 is a top view of the first embodiment of the scale;

FIG. 7 is a bottom view of the first embodiment of the scale;

FIG. 8 is a front perspective view of a second embodiment of the scale showing the new design;

FIG. 9 is a front view of the second embodiment of the scale;

FIG. 10 is a rear view of the second embodiment of the scale;

FIG. 11 is a side view of the second embodiment of the scale;

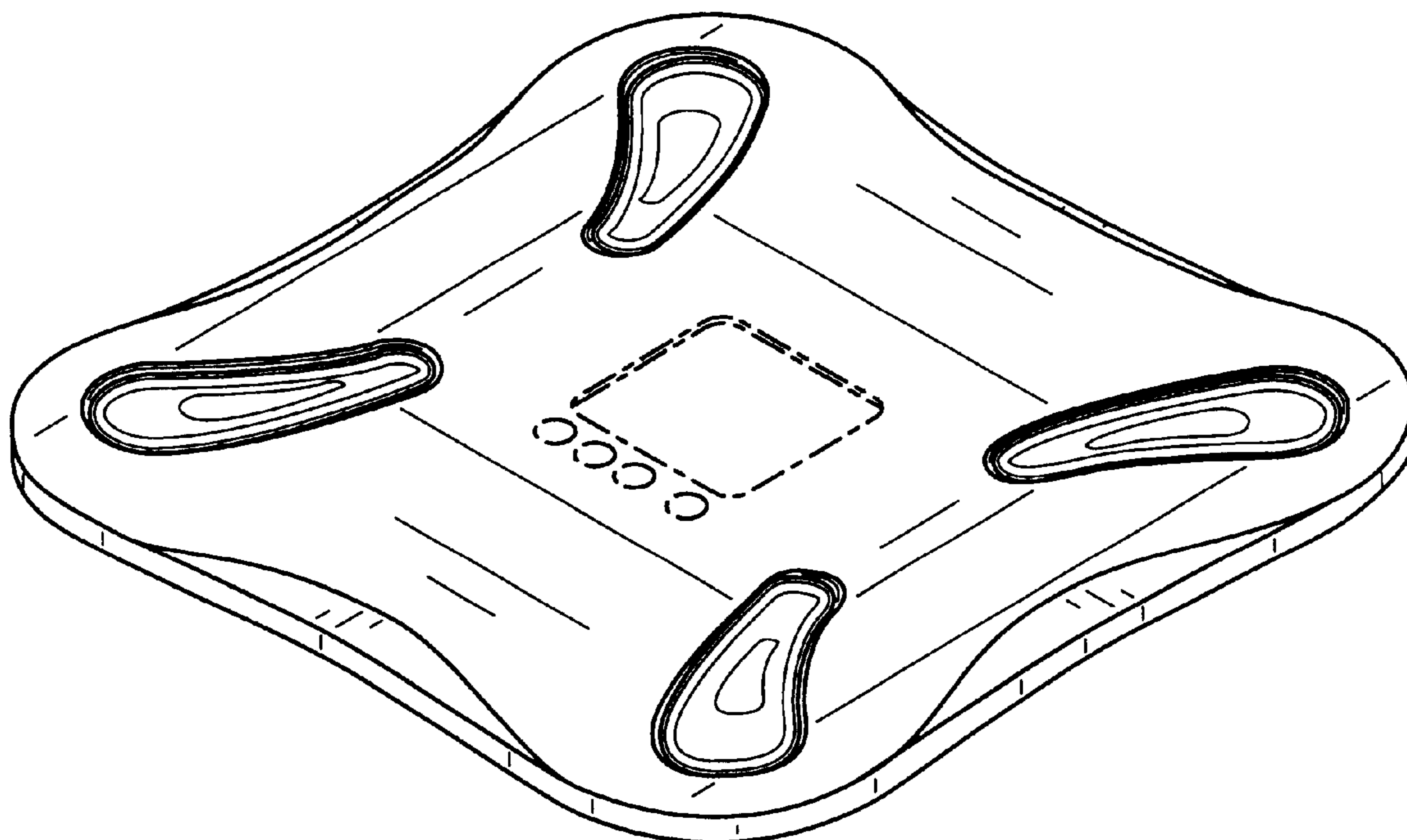
FIG. 12 is another side view of the second embodiment of the scale;

FIG. 13 is a top view of the second embodiment of the scale; and,

FIG. 14 is a bottom view of the second embodiment of the scale.

The broken line showing is for illustrative purposes only and forms no part of the claimed design.

**1 Claim, 14 Drawing Sheets**



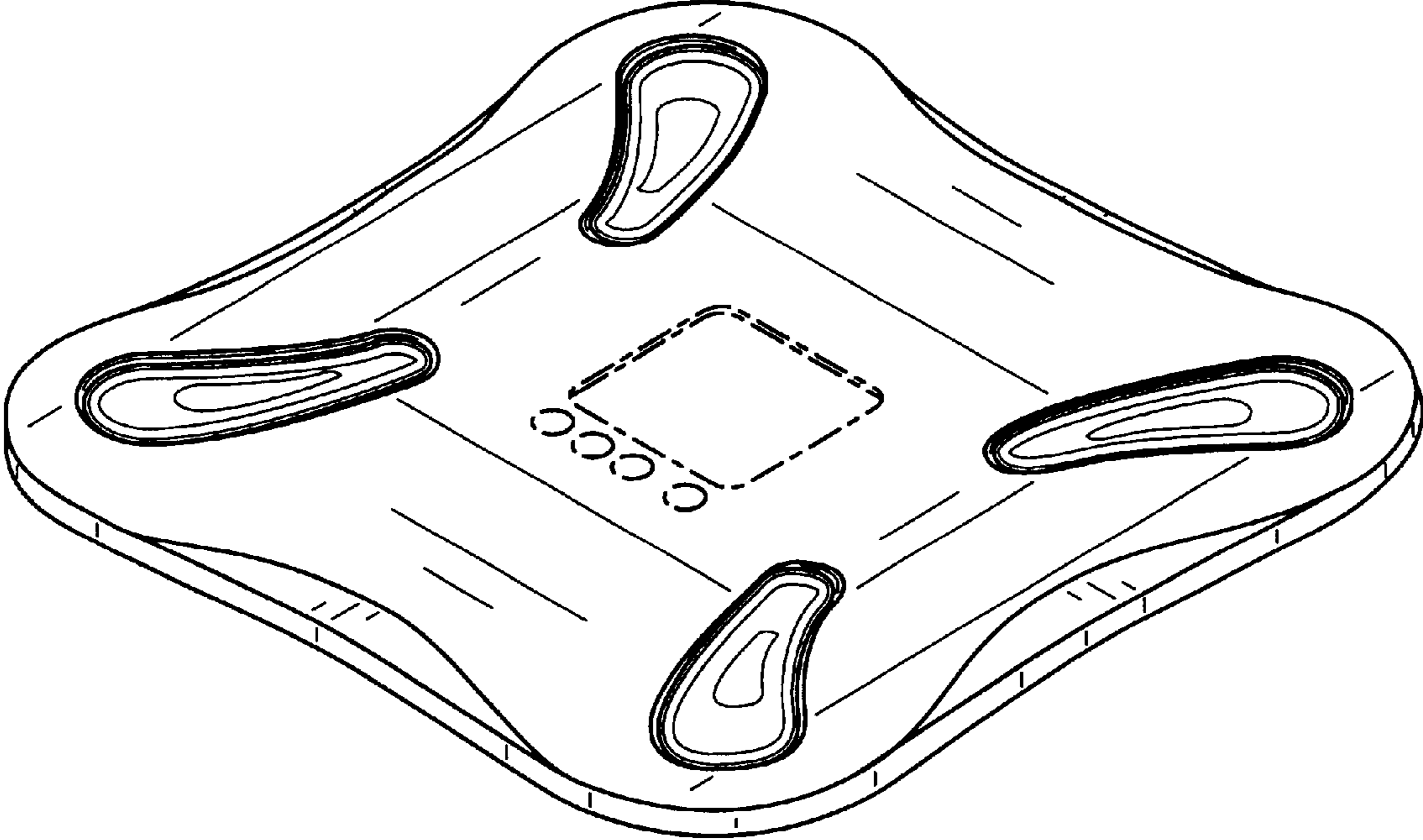


FIG. 1

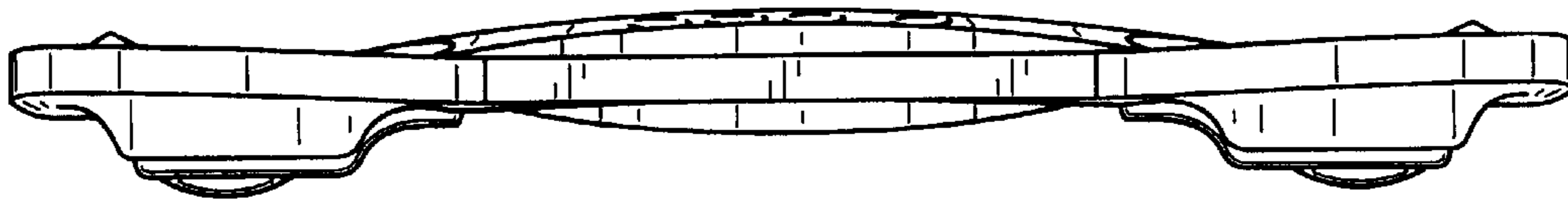


FIG. 2

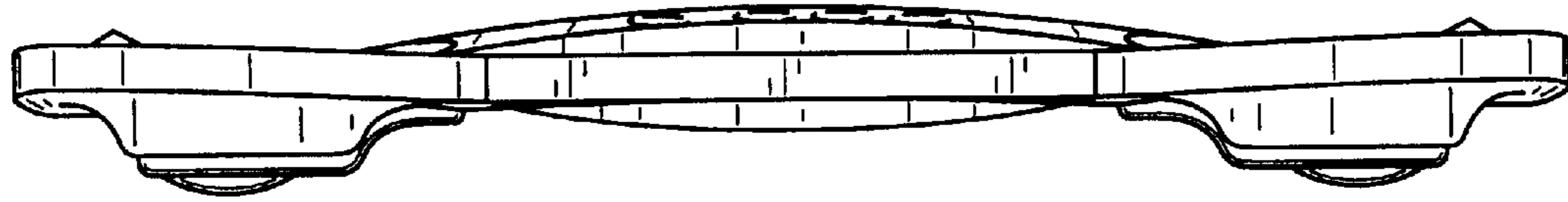


FIG. 3

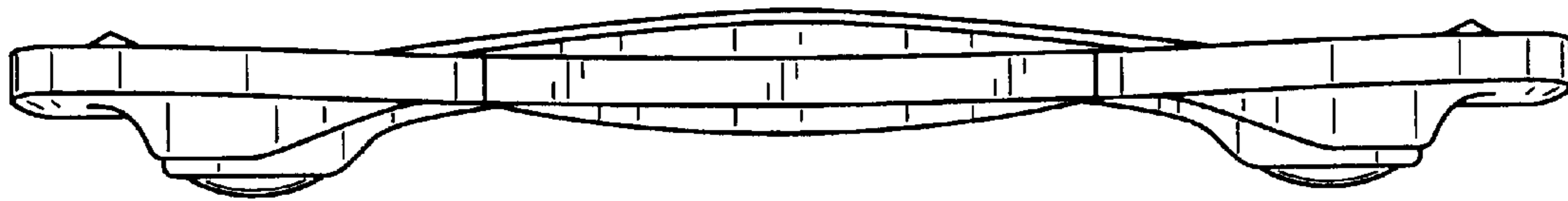


FIG. 4

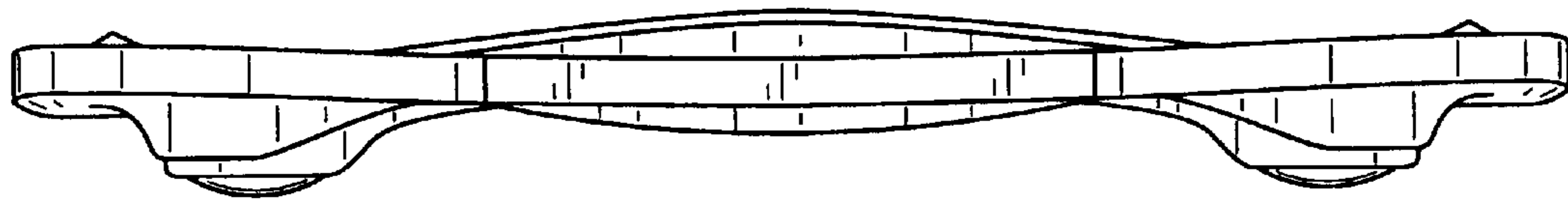


FIG. 5

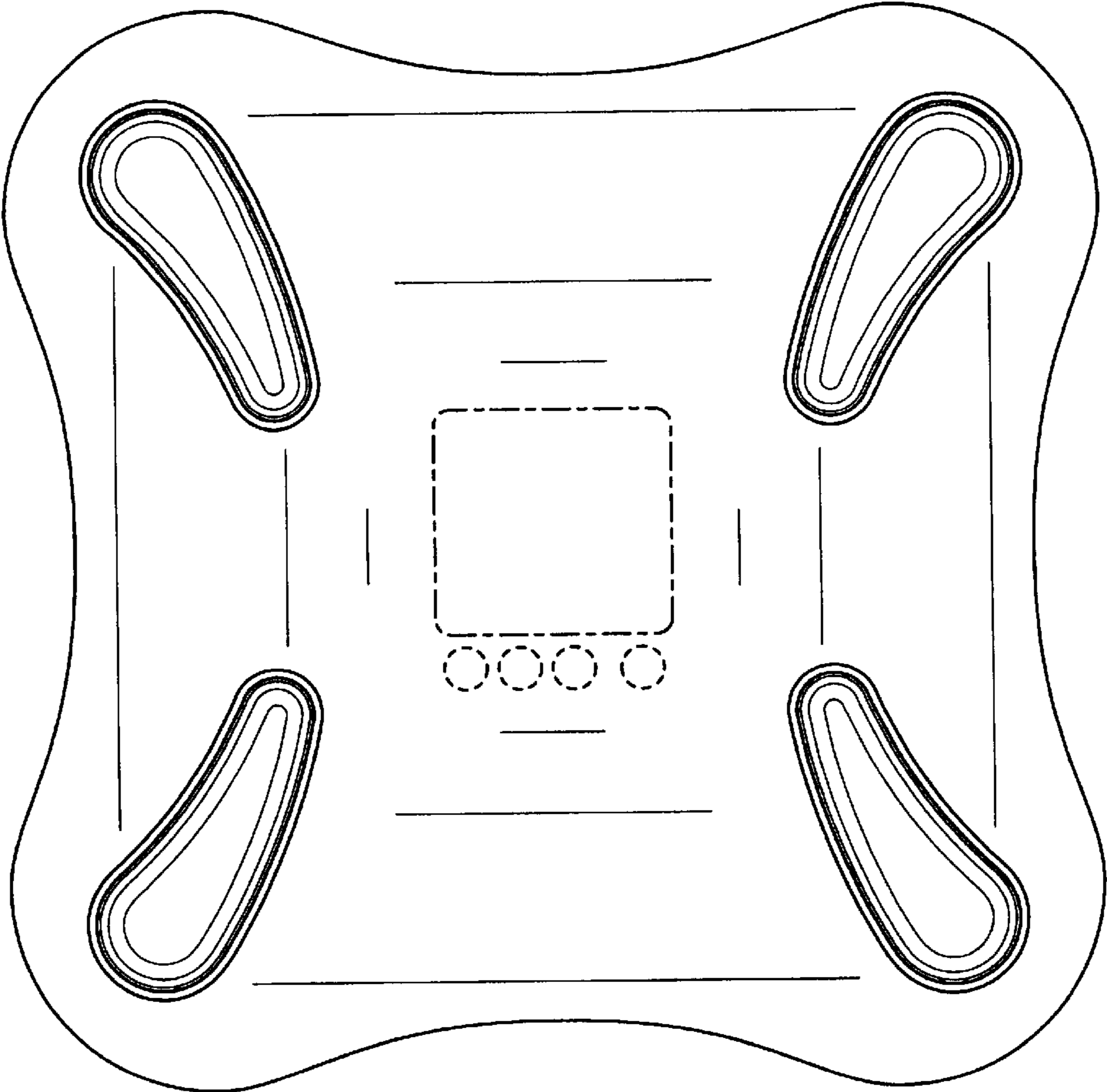


FIG. 6

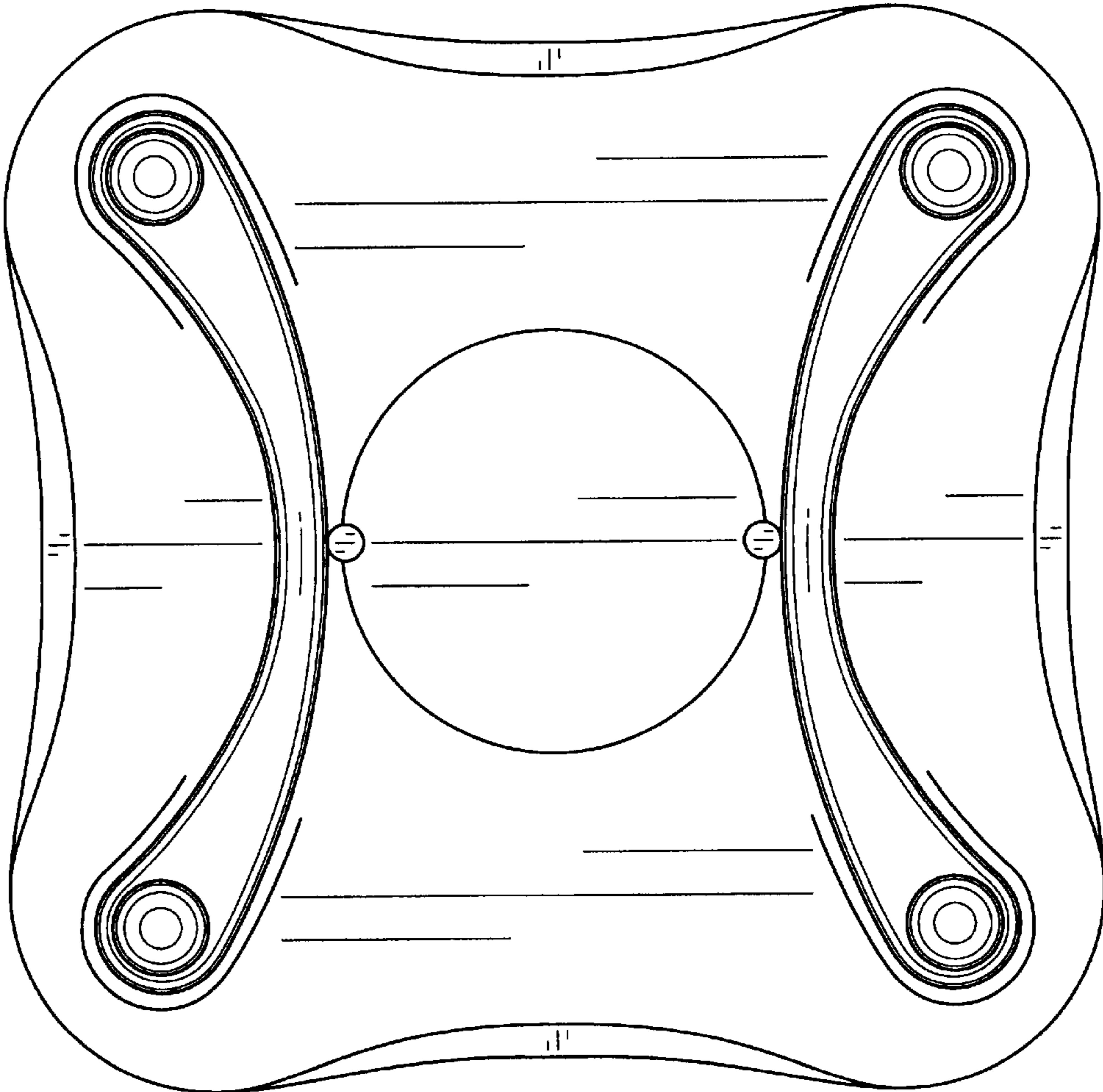


FIG. 7



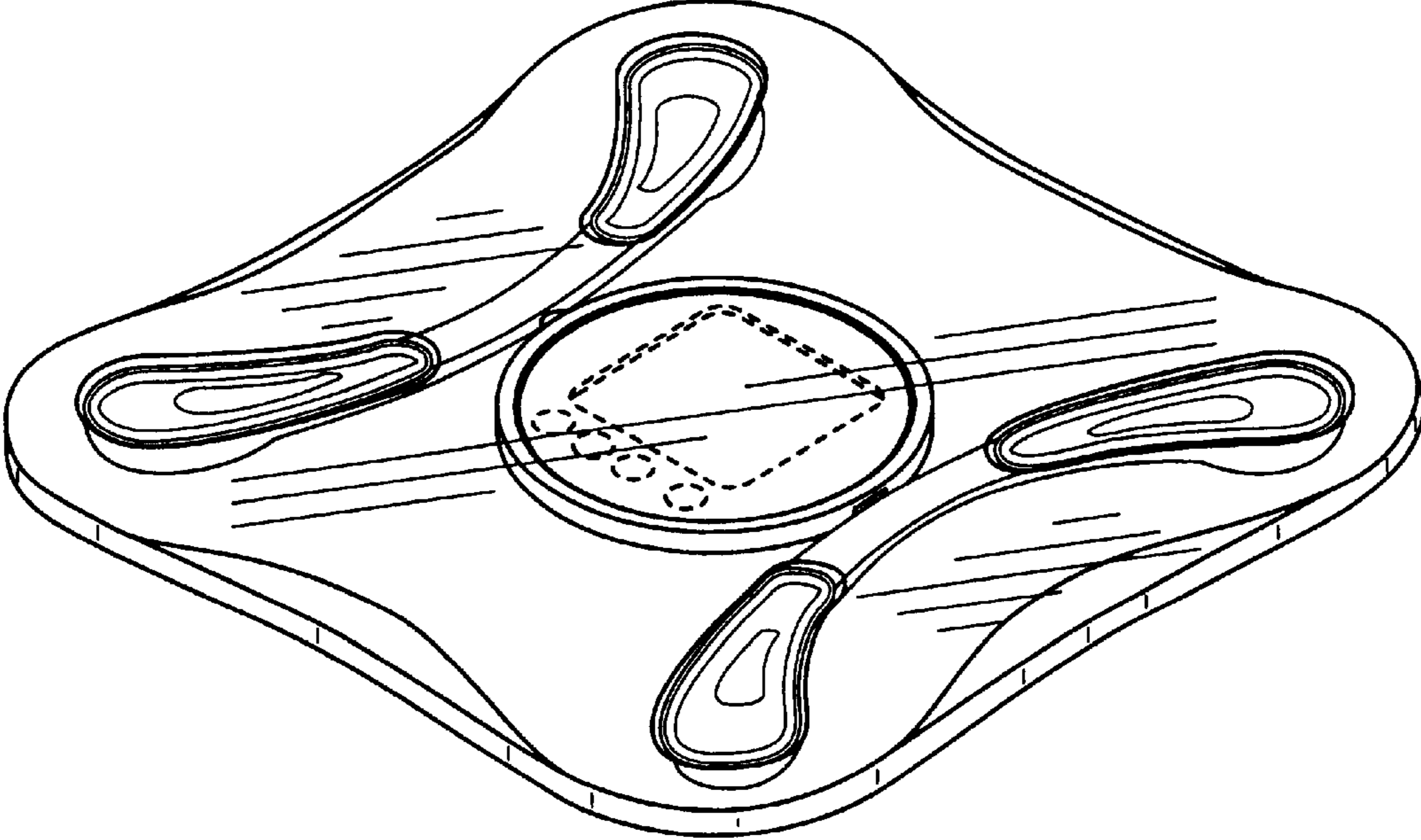


FIG. 8

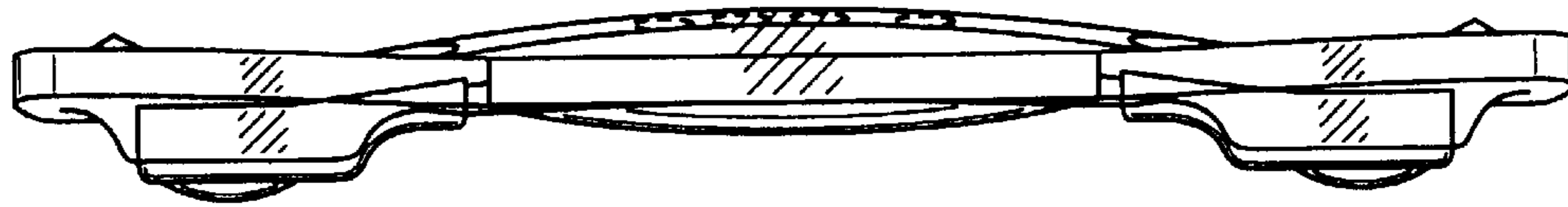


FIG. 9

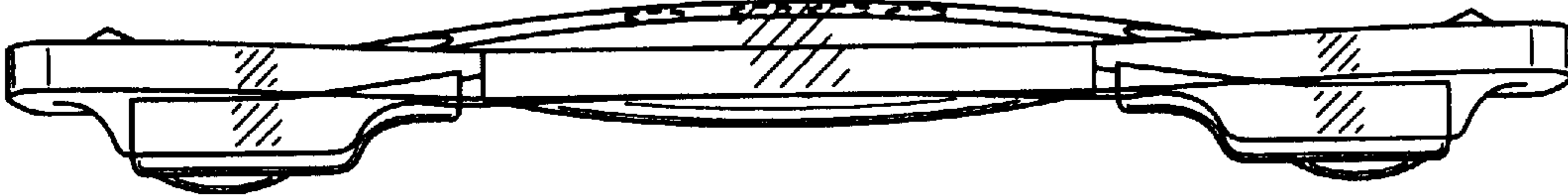


FIG. 10



FIG. 11

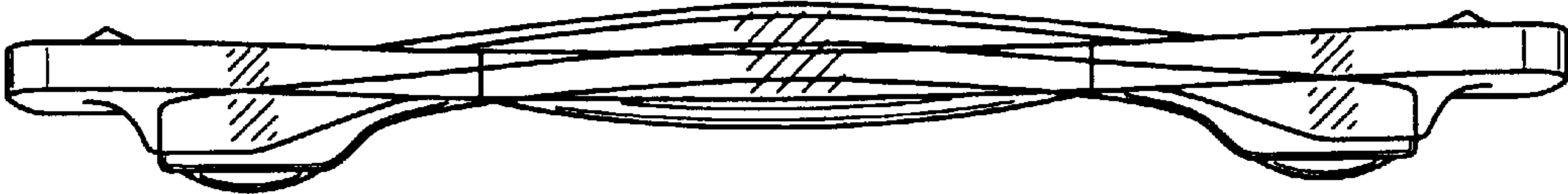


FIG. 12

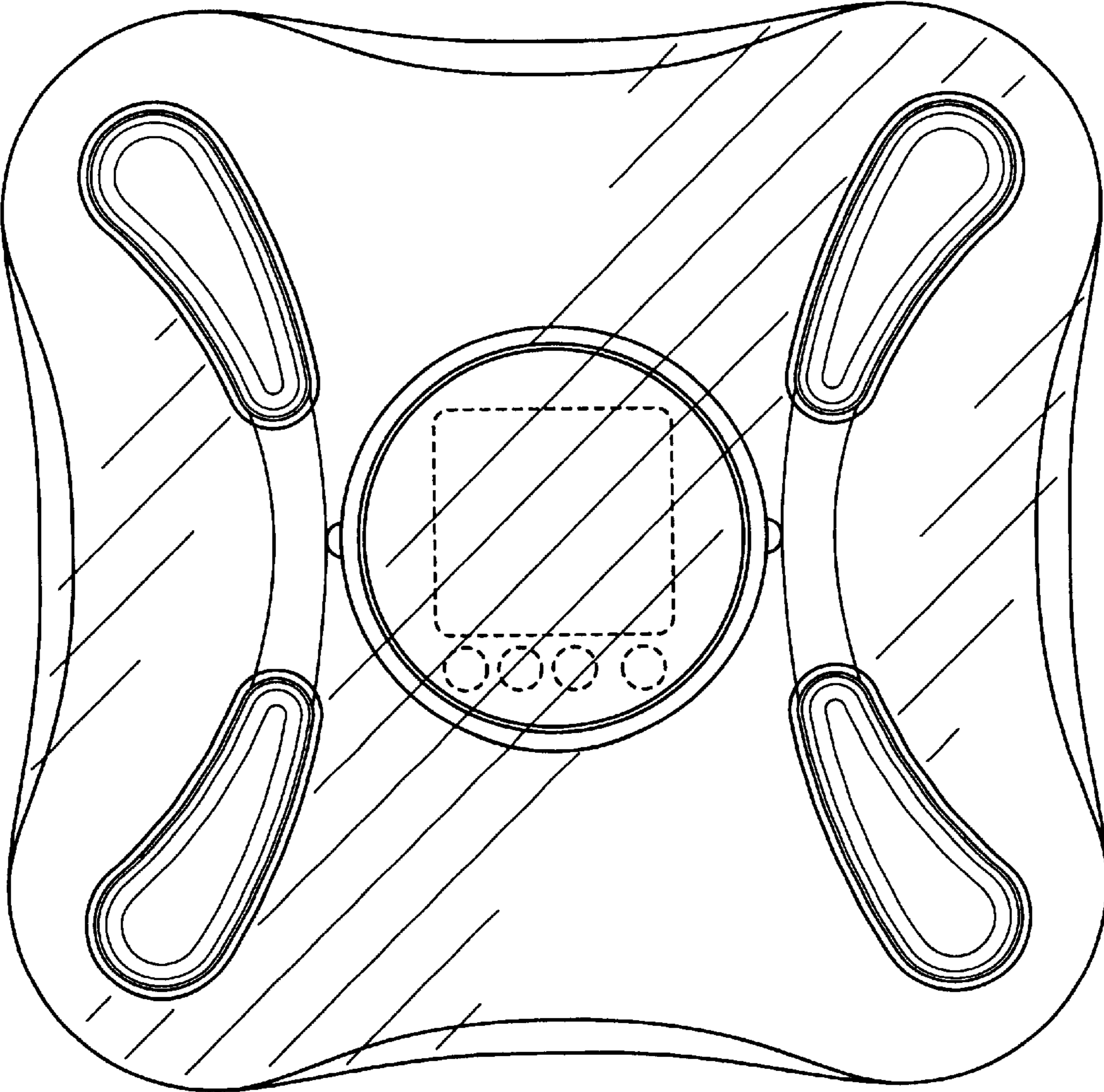


FIG. 13

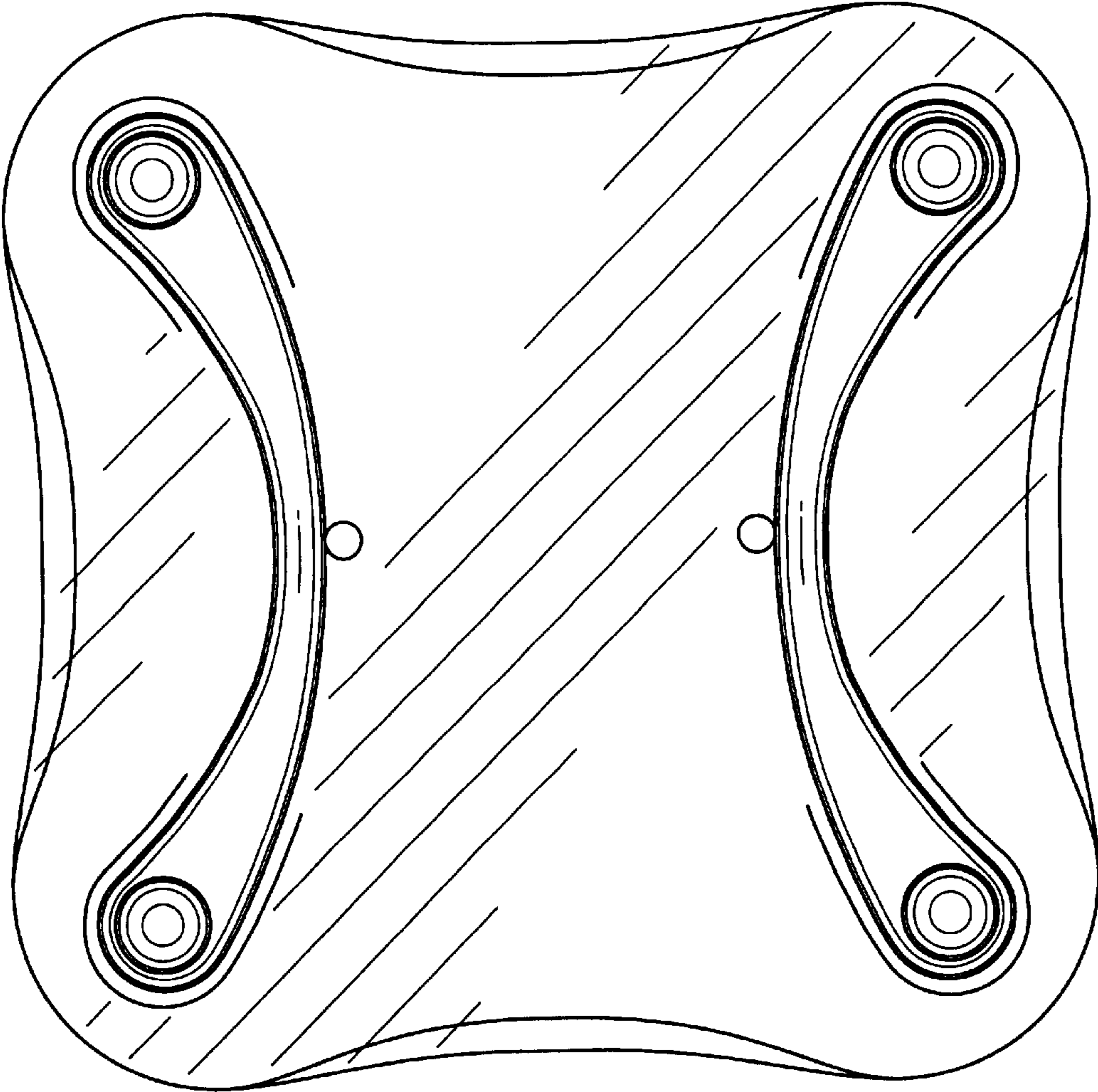


FIG. 14