

US00D511701S

(12) **United States Design Patent**  
**Usui et al.**

(10) **Patent No.: US D511,701 S**  
(45) **Date of Patent: \*\* Nov. 22, 2005**

(54) **PHASE DETECTOR**

(75) Inventors: **Takayuki Usui, Ueda (JP); Koichi Tanaka, Ueda (JP)**

(73) Assignee: **Hioki Denki Kabushiki Kaisha, Ueda (JP)**

(\*\*) Term: **14 Years**

(21) Appl. No.: **29/214,219**

(22) Filed: **Sep. 30, 2004**

(30) **Foreign Application Priority Data**

Apr. 6, 2004 (JP) ..... 2004-010532

(51) **LOC (8) Cl. .... 10-04**

(52) **U.S. Cl. .... D10/78**

(58) **Field of Search** ..... D10/78; 327/7,  
327/149, 153, 156, 157, 158, 161, 257;  
331/1 A, 8, 14, 17, 25, DIG. 2; 375/374,  
376

(56) **References Cited**

**U.S. PATENT DOCUMENTS**

5,473,285 A \* 12/1995 Nuckolls et al. .... 331/1 A

5,485,125 A \* 1/1996 Dufour ..... 331/17  
6,327,319 B1 \* 12/2001 Hietala et al. .... 375/374  
6,340,904 B1 \* 1/2002 Manning ..... 327/156  
6,346,839 B1 \* 2/2002 Mnich ..... 327/158

\* cited by examiner

*Primary Examiner*—Antoine D. Davis

(74) *Attorney, Agent, or Firm*—Manabu Kanesaka

(57) **CLAIM**

The ornamental design for a phase detector, as shown and described.

**DESCRIPTION**

FIG. 1 is a front view of a phase detector showing our new design;

FIG. 2 is a rear view thereof;

FIG. 3 is a top plan view thereof;

FIG. 4 is a bottom view thereof;

FIG. 5 is a left side view thereof;

FIG. 6 is a right side view thereof;

FIG. 7 is a perspective view thereof; and,

FIG. 8 is a rear side perspective view.

The broken line showing is for illustrative purposes only and forms no part of the claimed design.

**1 Claim, 6 Drawing Sheets**

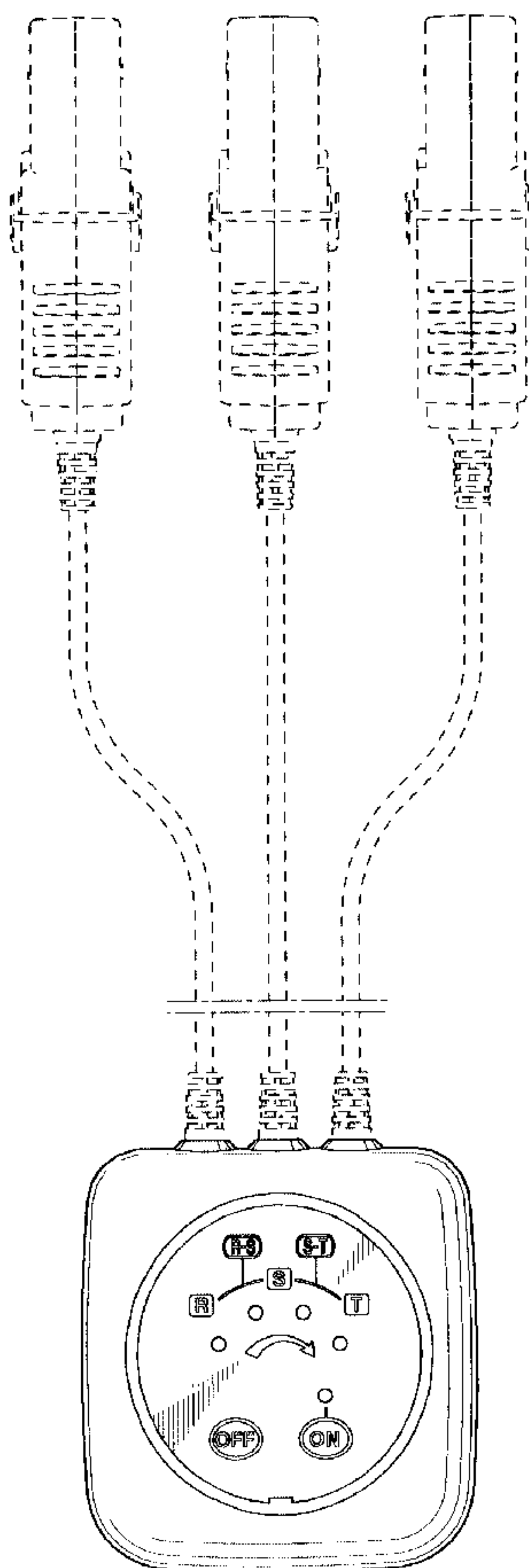


FIG. 1

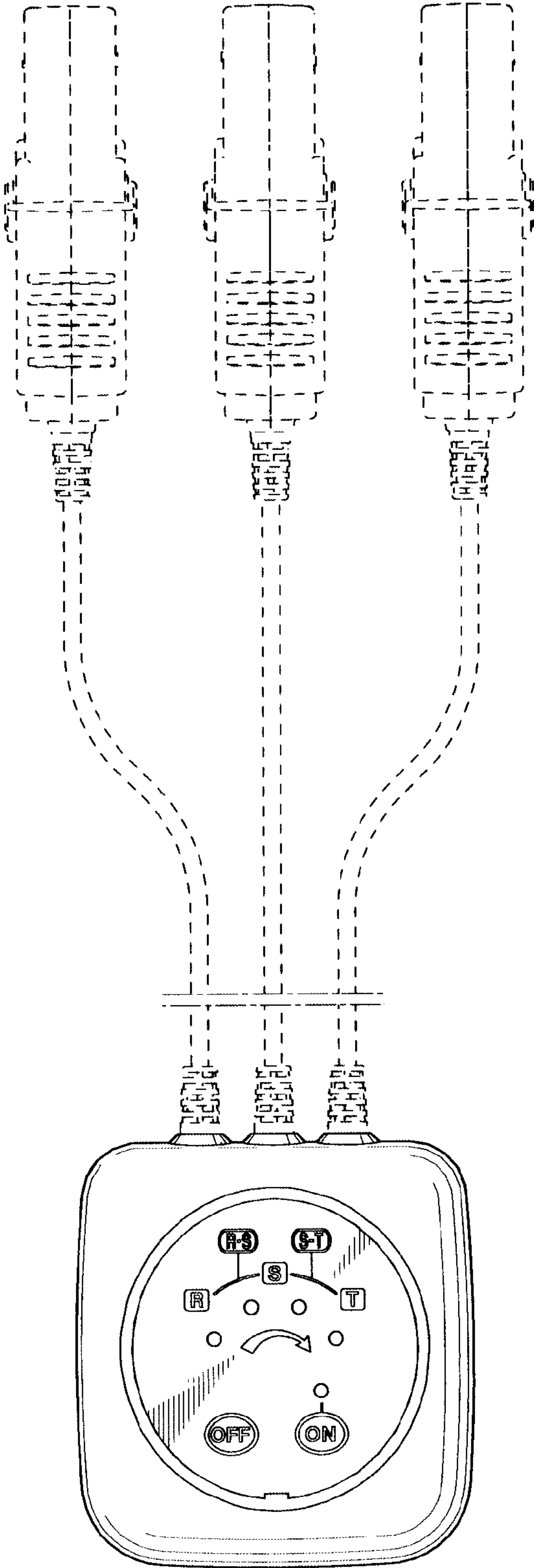


FIG. 2

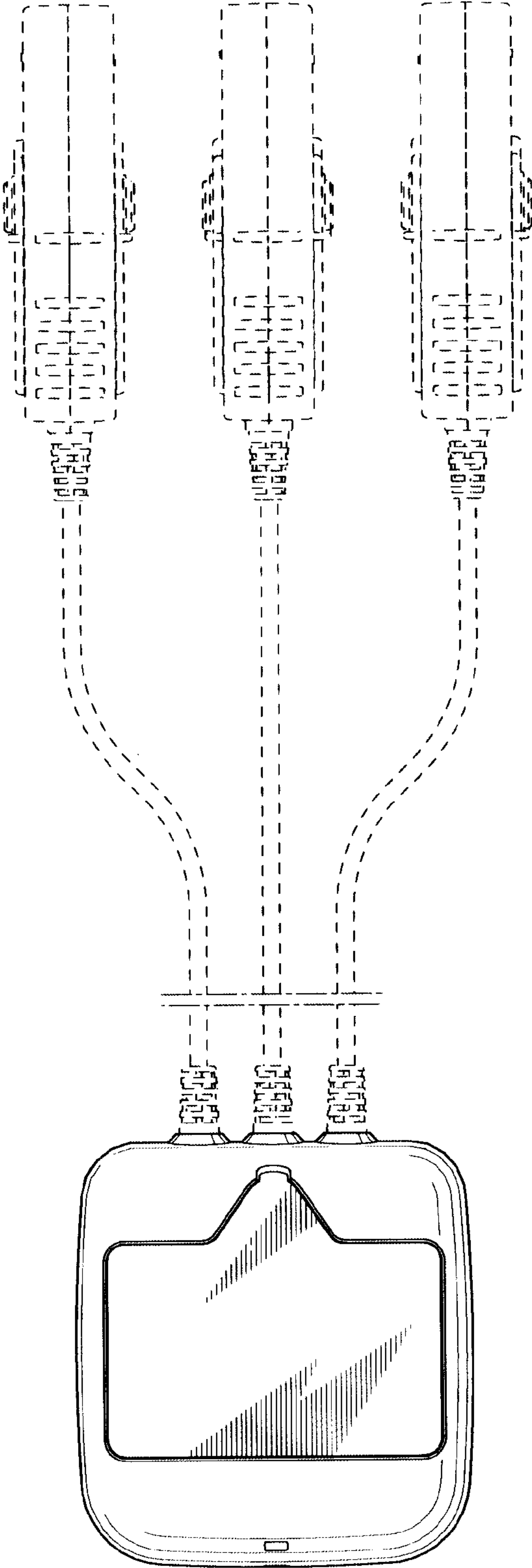


FIG. 3

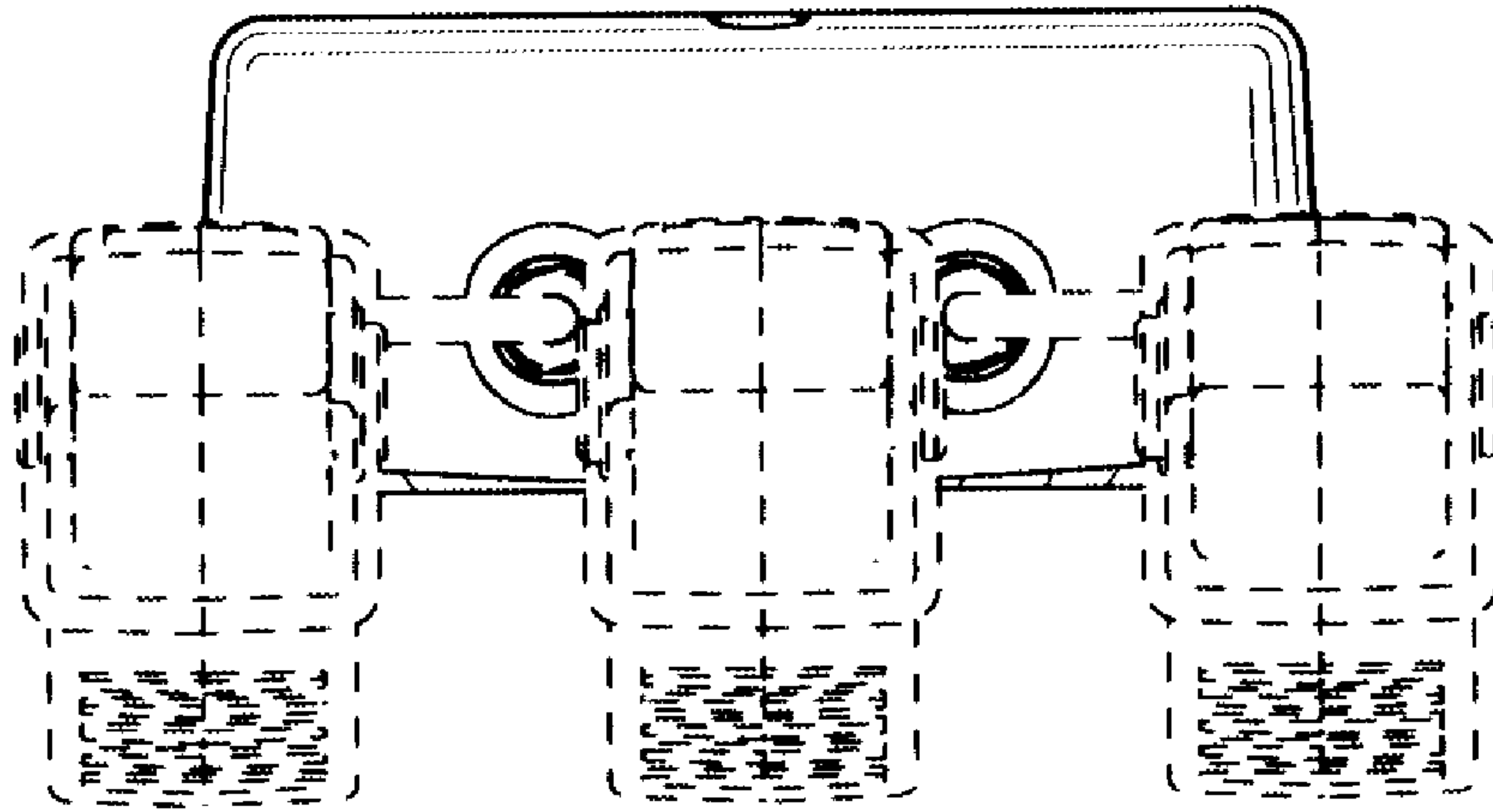


FIG. 4

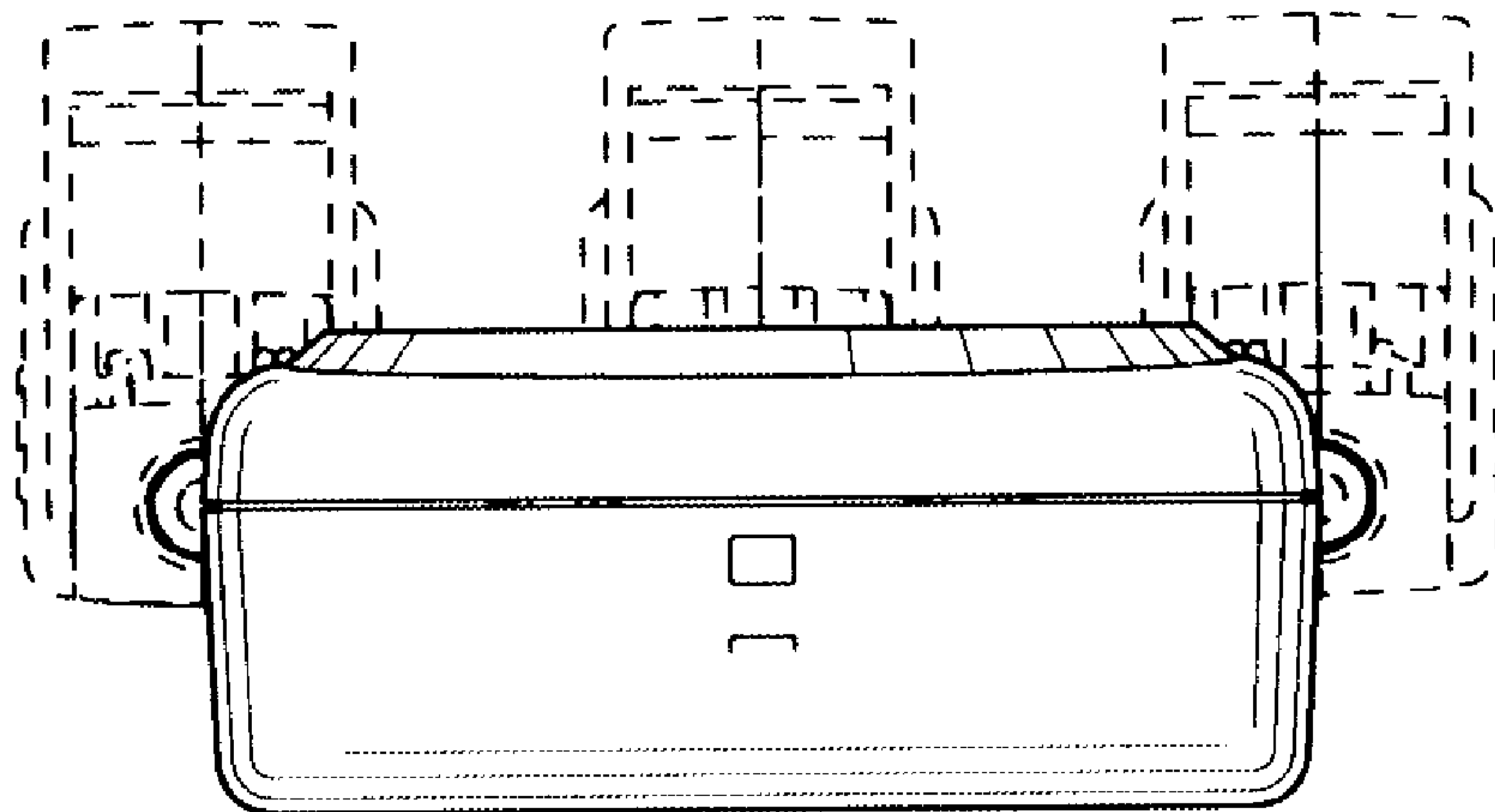


FIG. 5

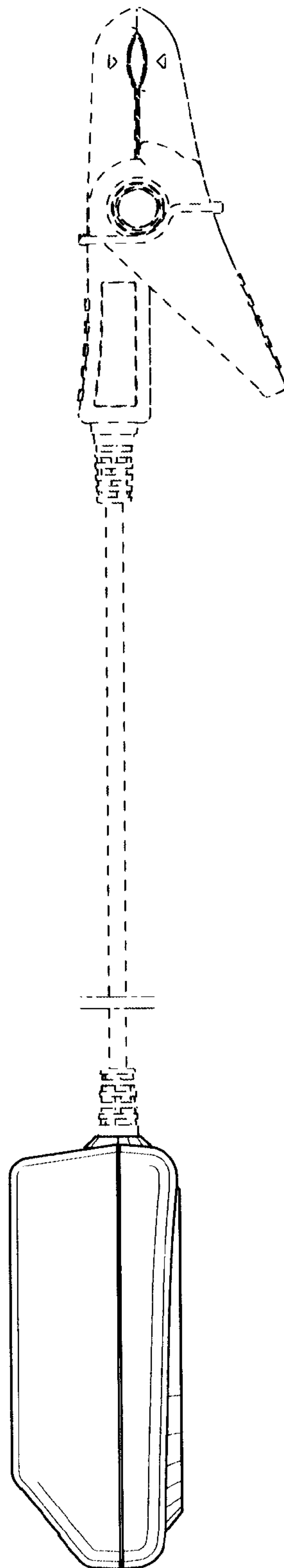


FIG. 6

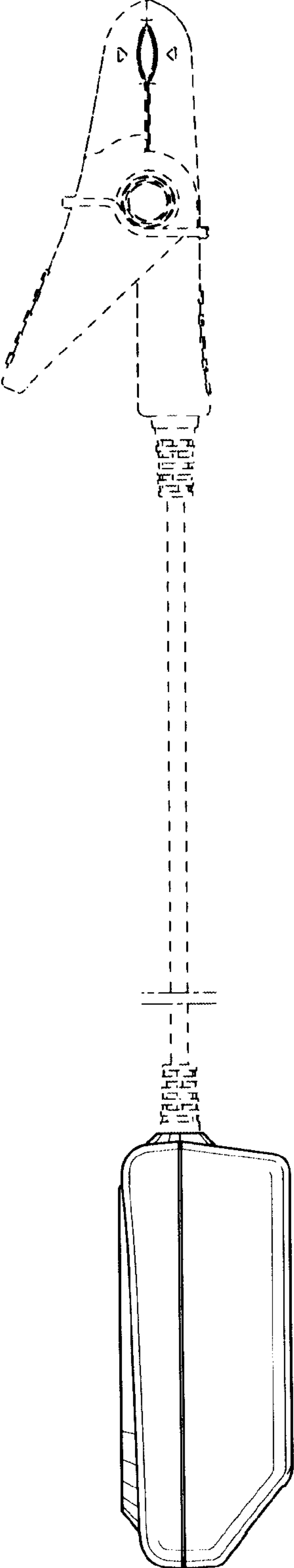


FIG.7

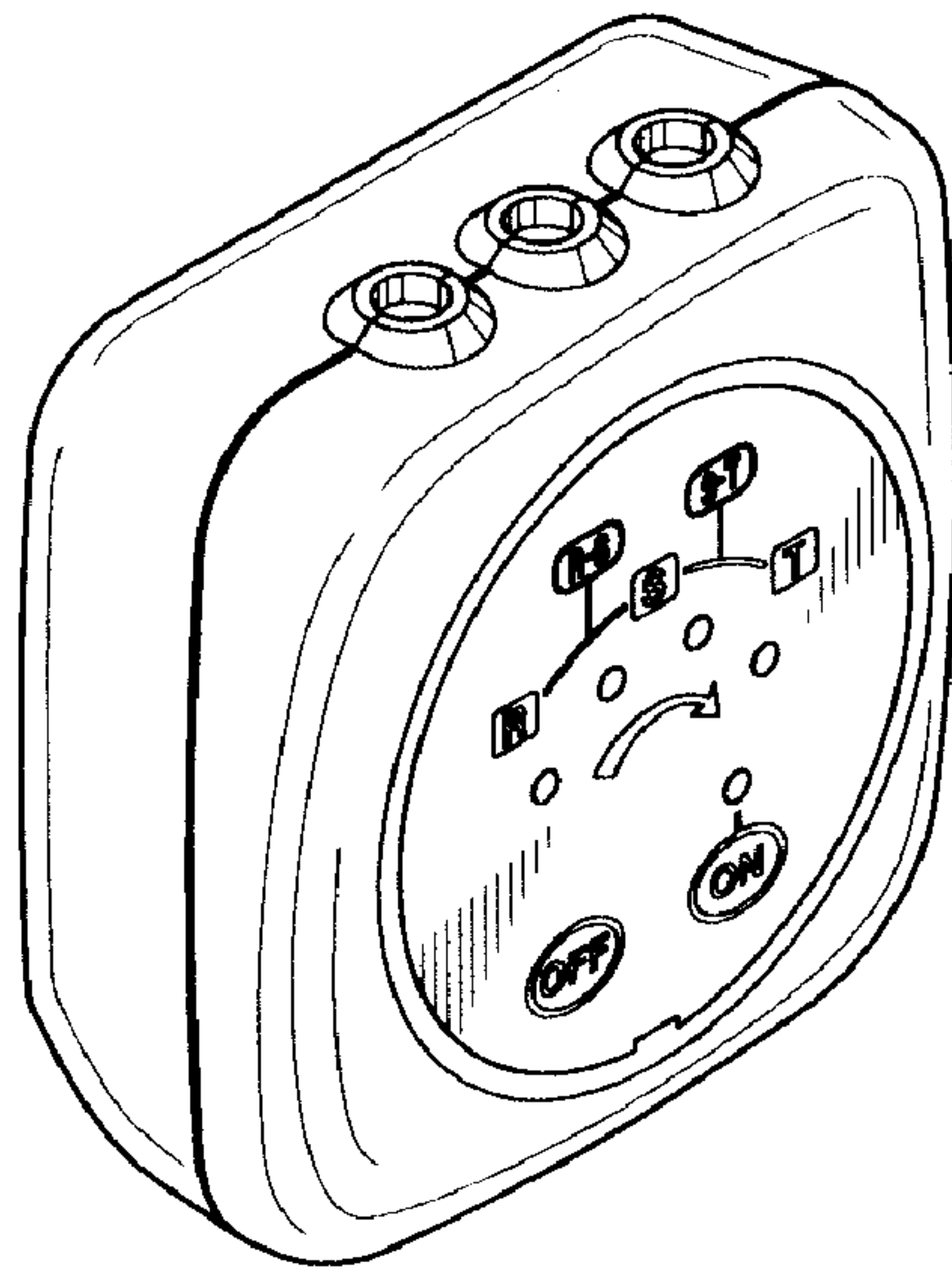


FIG.8

