



US00D511699S

(12) **United States Design Patent**
Pan

(10) **Patent No.:** **US D511,699 S**

(45) **Date of Patent:** **** Nov. 22, 2005**

(54) **STEP COUNTER**

D491,479 S * 6/2004 Hsu D10/70

(76) **Inventor:** **Chien-Chuan Pan**, 4Fl. No. 27, Lane
160, Hsin Sheng S. Rd., Sec. 1, Taipei
(TW), 100

* cited by examiner

Primary Examiner—Antoine D. Davis

(**) **Term:** **14 Years**

(57) **CLAIM**

The ornamental design for a step counter, as shown.

(21) **Appl. No.:** **29/201,174**

DESCRIPTION

(22) **Filed:** **Mar. 12, 2004**

(51) **LOC (8) Cl.** **10-04**

(52) **U.S. Cl.** **D10/70; D10/97**

(58) **Field of Search** D10/70, 97; 377/5,
377/24.2, 26; 702/144, 160, 176

FIG. 1 is a perspective view of the step counter of this invention;

FIG. 2 is a front view thereof;

FIG. 3 is a rear view thereof;

FIG. 4 is a left view thereof;

FIG. 5 is a right view thereof;

FIG. 6 is a top view thereof;

FIG. 7 is a bottom view thereof;

FIG. 8 is a perspective view of this invention in rear view; and,

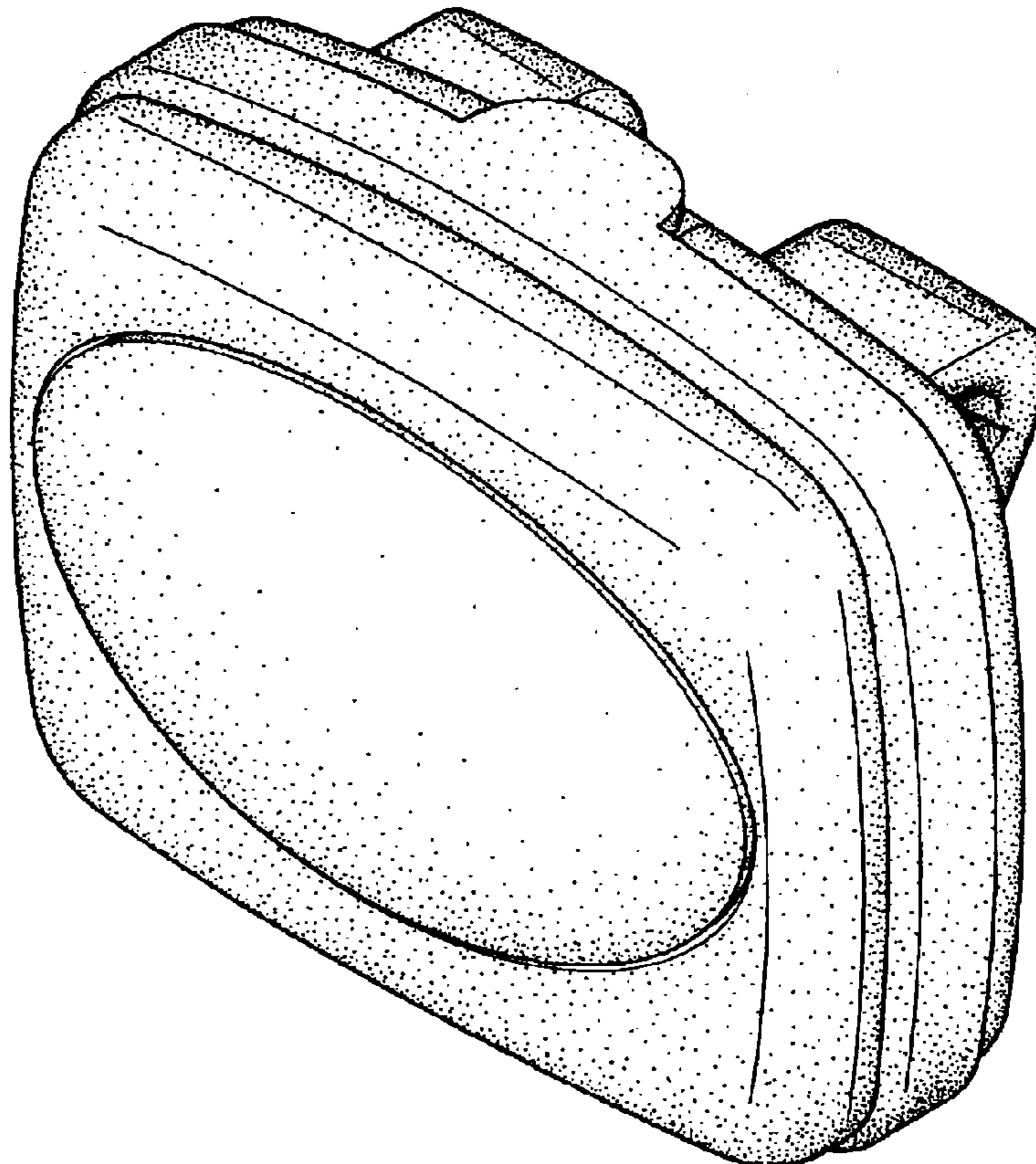
FIG. 9 is a perspective view of the invention in open position.

(56) **References Cited**

U.S. PATENT DOCUMENTS

D328,259 S	*	7/1992	Kobayashi	D10/98
D363,069 S	*	10/1995	Bro	D14/191
D375,695 S	*	11/1996	Narai	D10/70
5,650,982 A	*	7/1997	Takenaka et al.	368/10
6,349,126 B2	*	2/2002	Ogawa et al.	377/24.2
6,674,832 B2	*	1/2004	Yusa	377/24.2

1 Claim, 6 Drawing Sheets



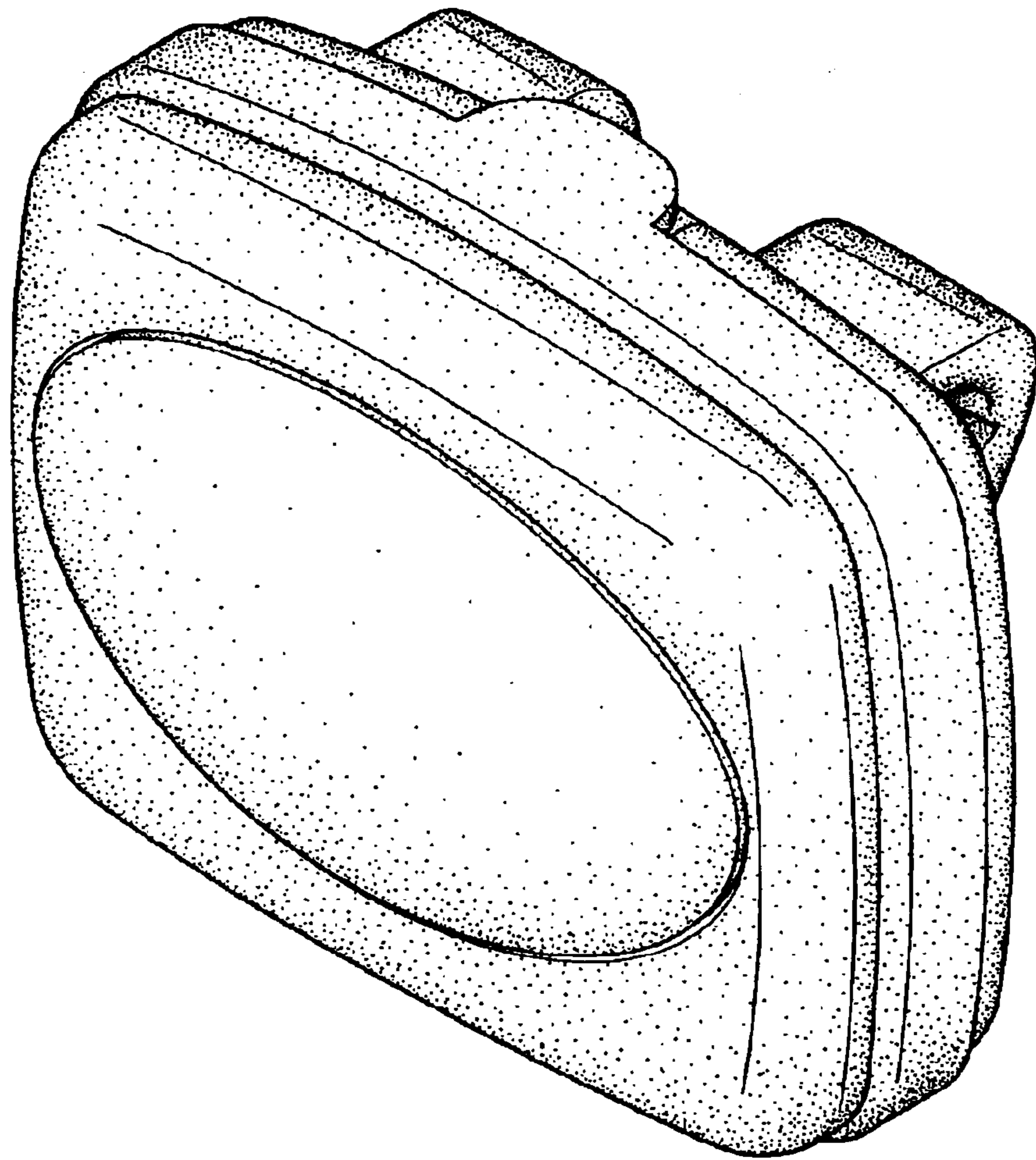


FIG. 1

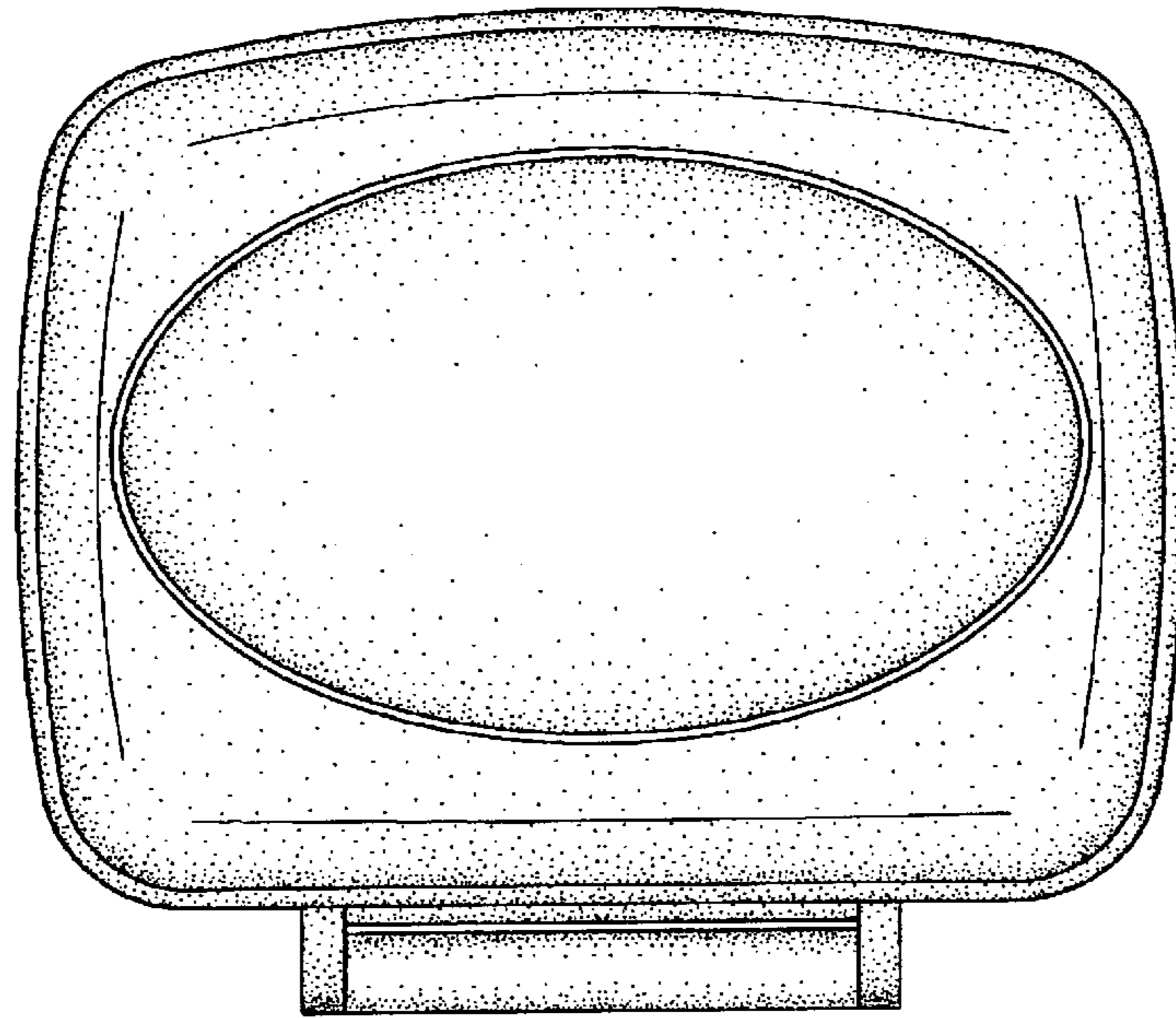


FIG. 2

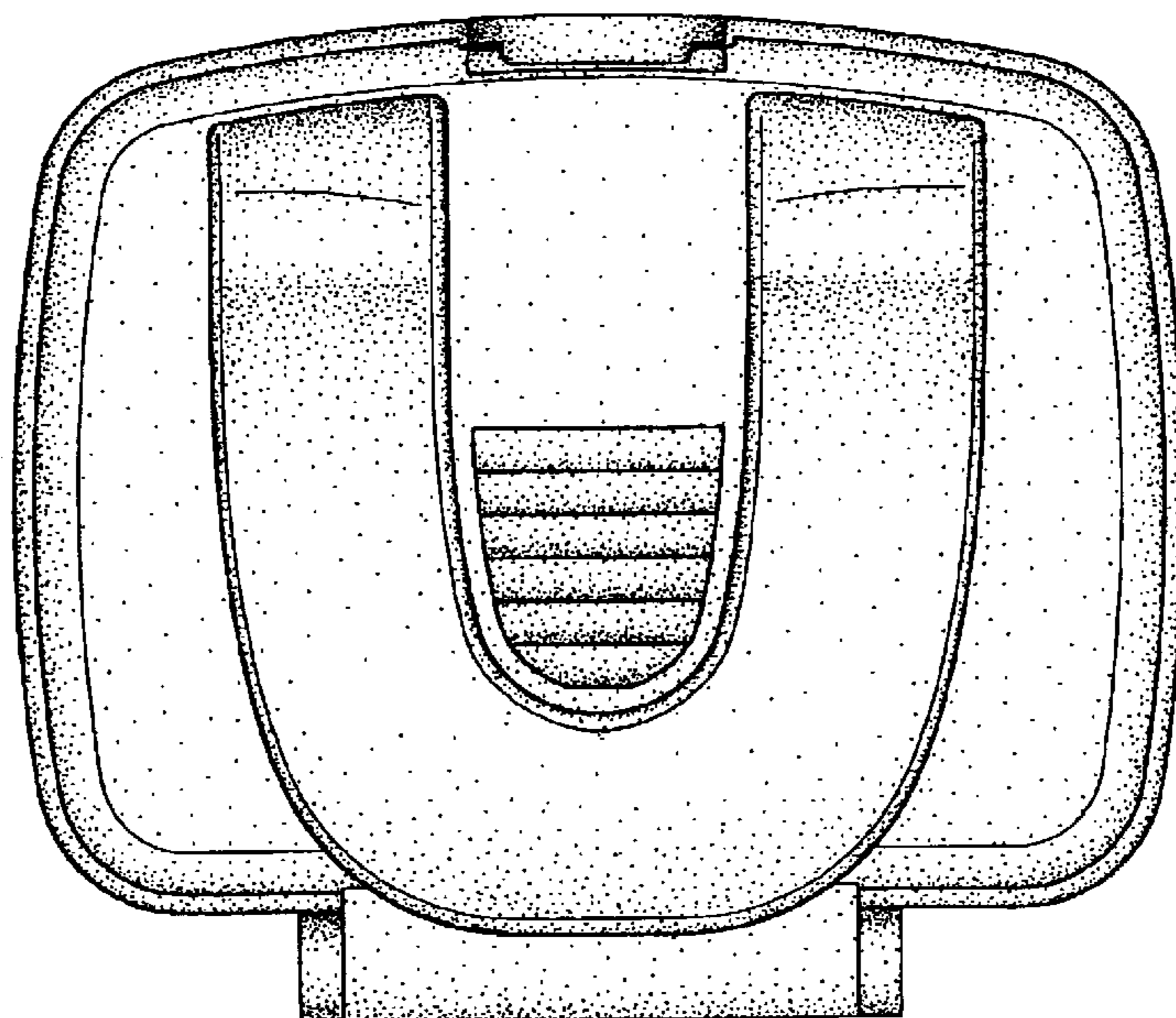


FIG. 3

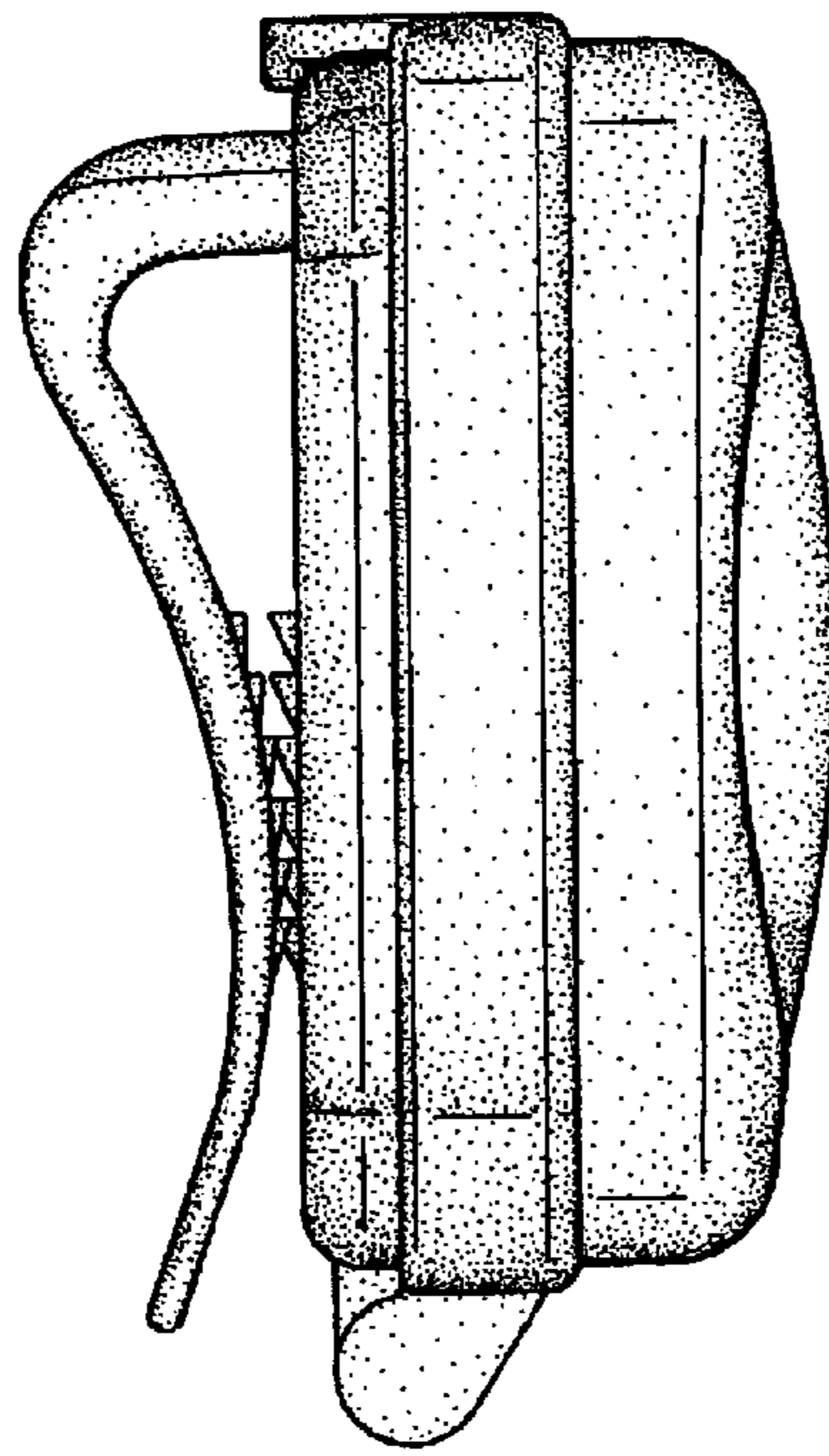


FIG. 4

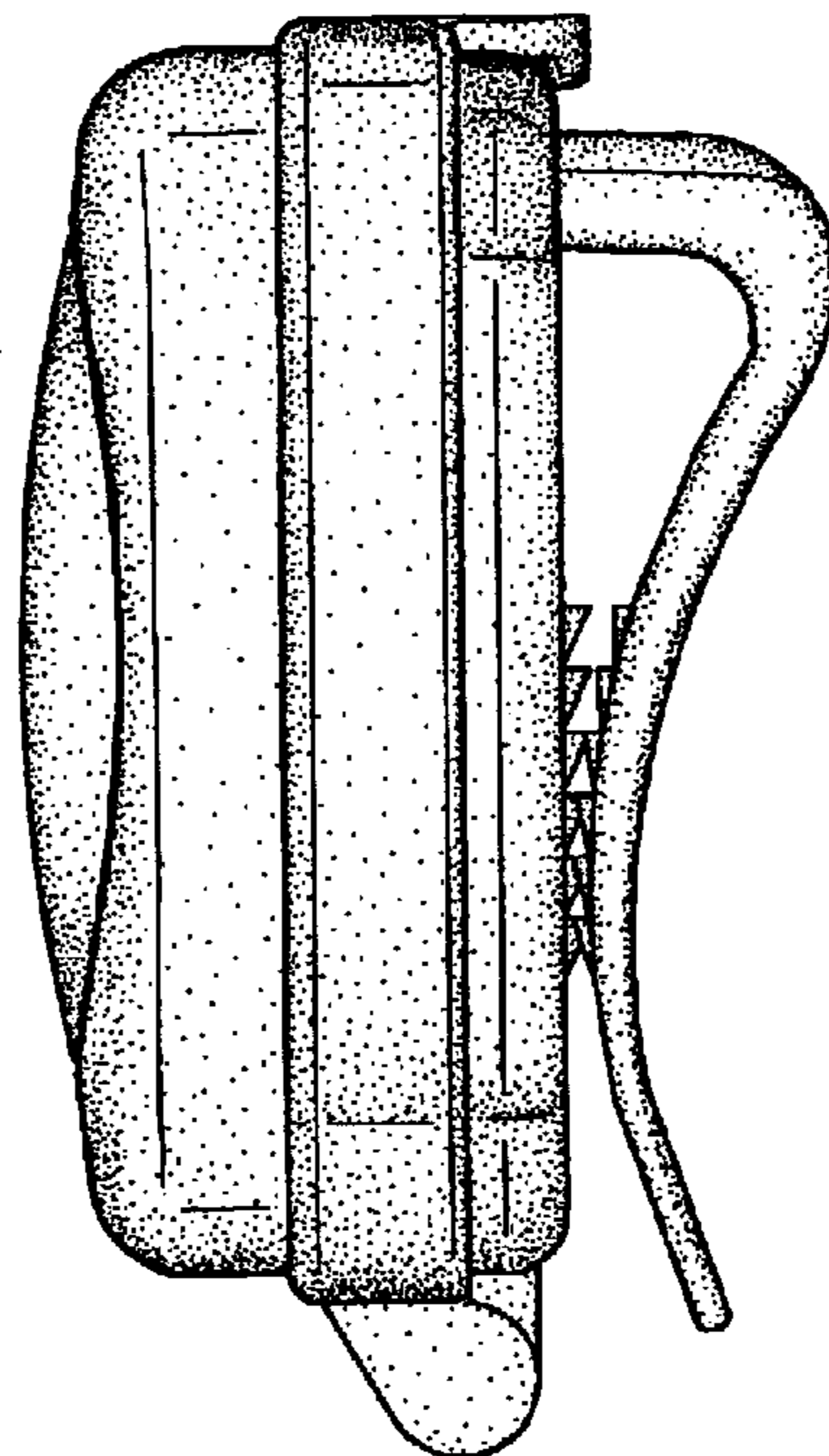


FIG. 5

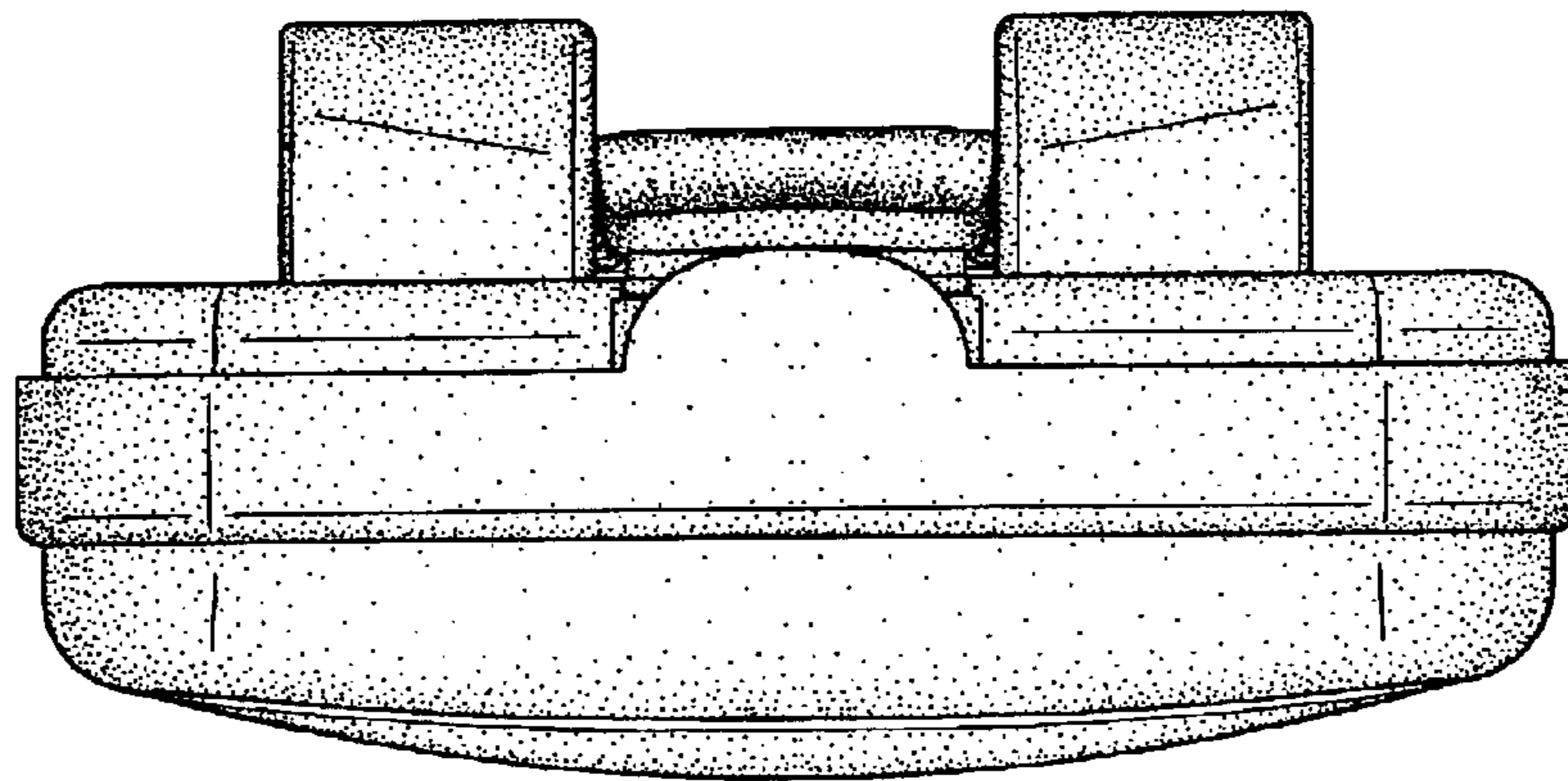


FIG. 6

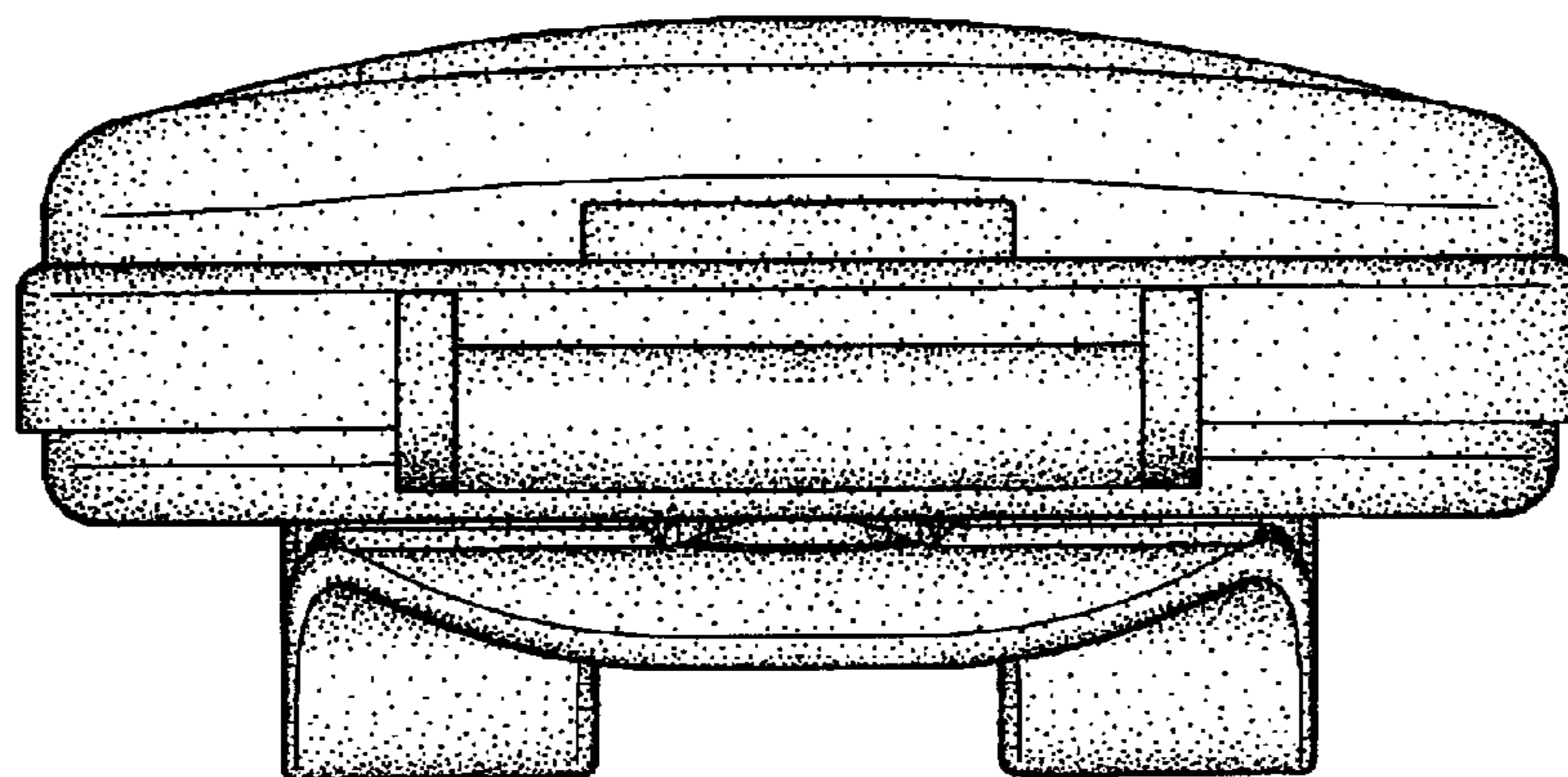


FIG. 7

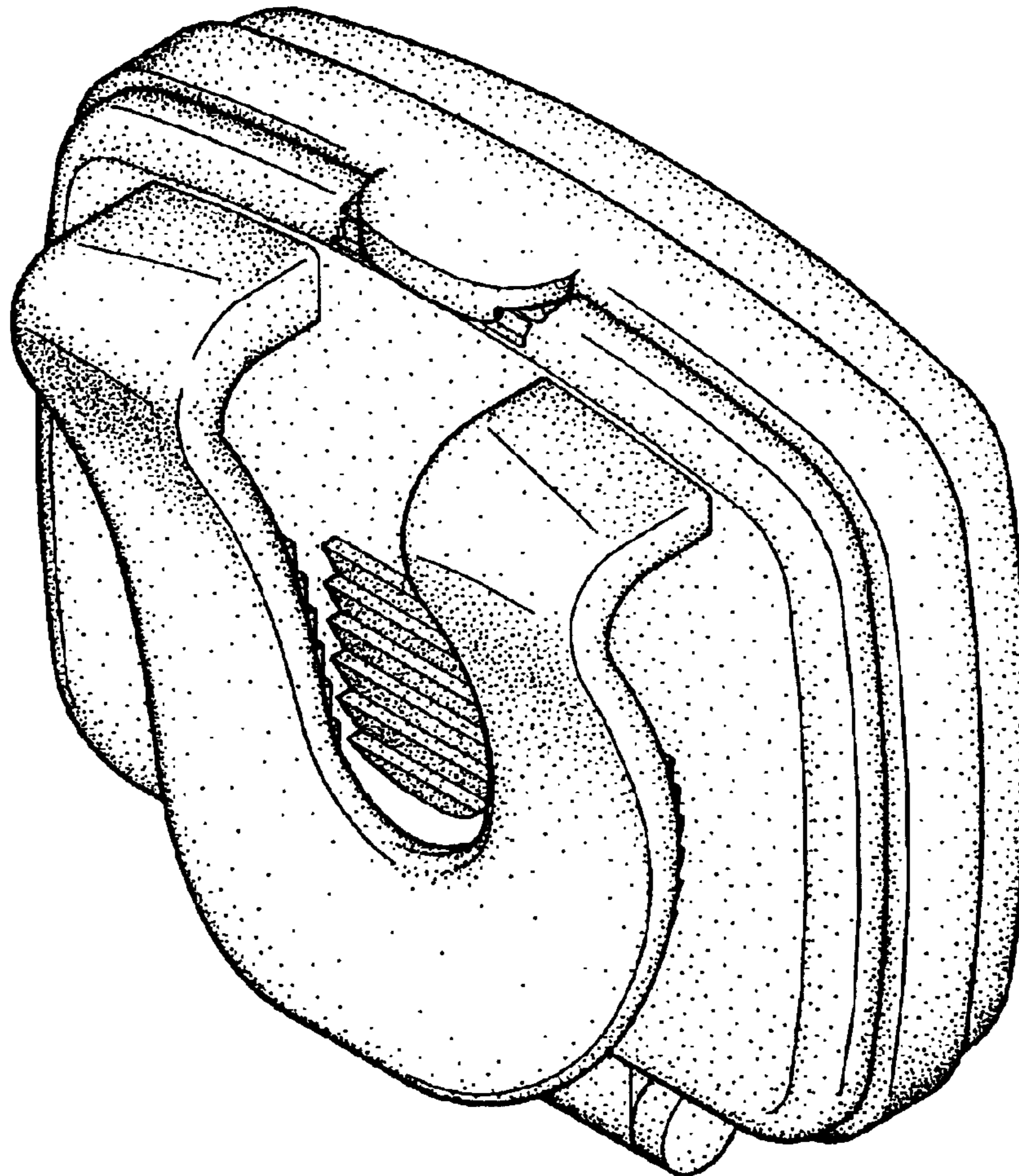


FIG. 8

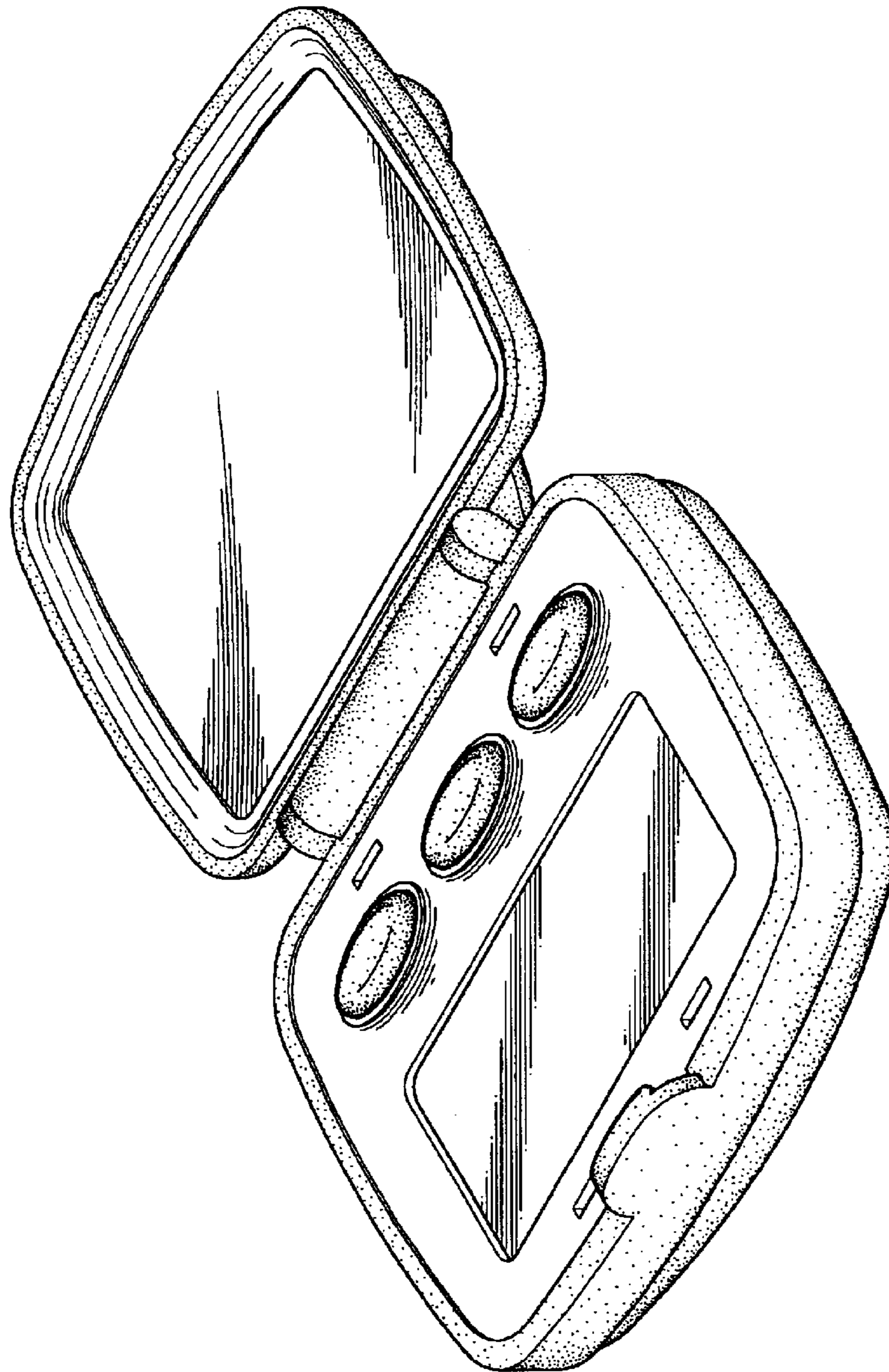


FIG. 9