



US00D511696S

(12) **United States Design Patent**
Stekelenburg

(10) **Patent No.:** **US D511,696 S**

(45) **Date of Patent:** **** Nov. 22, 2005**

(54) **OUTDOOR TIMER STAKE**

D453,732 S * 2/2002 Stekelenburg D13/139.4
D460,415 S * 7/2002 Stekelenburg D13/139.4

(76) Inventor: **Albert Stekelenburg**, 9th Fl., 102
Kuang-Fu S. Rd., Taipei (TW)

(**) Term: **14 Years**

(21) Appl. No.: **29/220,306**

(22) Filed: **Dec. 30, 2004**

(51) **LOC (8) Cl.** **10-03**

(52) **U.S. Cl.** **D10/40**

(58) **Field of Search** D10/40, 41, 2;
D13/139.4; 368/97-123, 276-278, 285,
10, 316, 317; 307/141, 141.4; 200/38 R,
38 D, 38 DA, 38 A, 38 F, 33 R; 439/502,
640, 142, 519

(56) **References Cited**

U.S. PATENT DOCUMENTS

D355,890 S * 2/1995 Lentz D13/139.4
5,562,341 A * 10/1996 Strauss 362/226
5,649,760 A * 7/1997 Beadle 362/270
5,879,184 A * 3/1999 Lopez 307/141
D431,477 S * 10/2000 Stekelenburg D10/40
D439,999 S * 4/2001 Stekelenburg D26/65
6,296,522 B1 * 10/2001 Ho 439/640
D453,497 S * 2/2002 Stekelenburg D13/139.4

OTHER PUBLICATIONS

Home Trends, Winter, 2002, p. 25, outdoor power post, item #36631 and outdoor outlets with timer, item #35544, [retrieved Apr. 22, 2005]. Retrieved using Google Catalog search, <URL:www.picketfencecatalog.com>.*

* cited by examiner

Primary Examiner—Lucy Lieberman

(74) *Attorney, Agent, or Firm*—Troxell Law Office, PLLC

(57) **CLAIM**

The ornamental design for an outdoor timer stake, as shown and described.

DESCRIPTION

FIG. 1 is a top view of an outdoor timer stake showing of my new design;

FIG. 2 is a front view thereof;

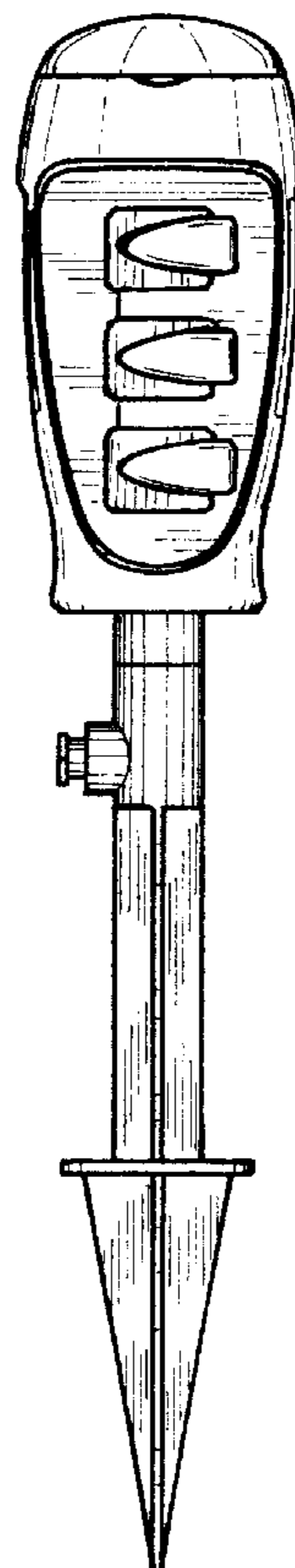
FIG. 3 is a right side elevational view thereof;

FIG. 4 is a rear view thereof;

FIG. 5 is a bottom view thereof; and,

FIG. 6 is a left side elevational view thereof.

1 Claim, 2 Drawing Sheets



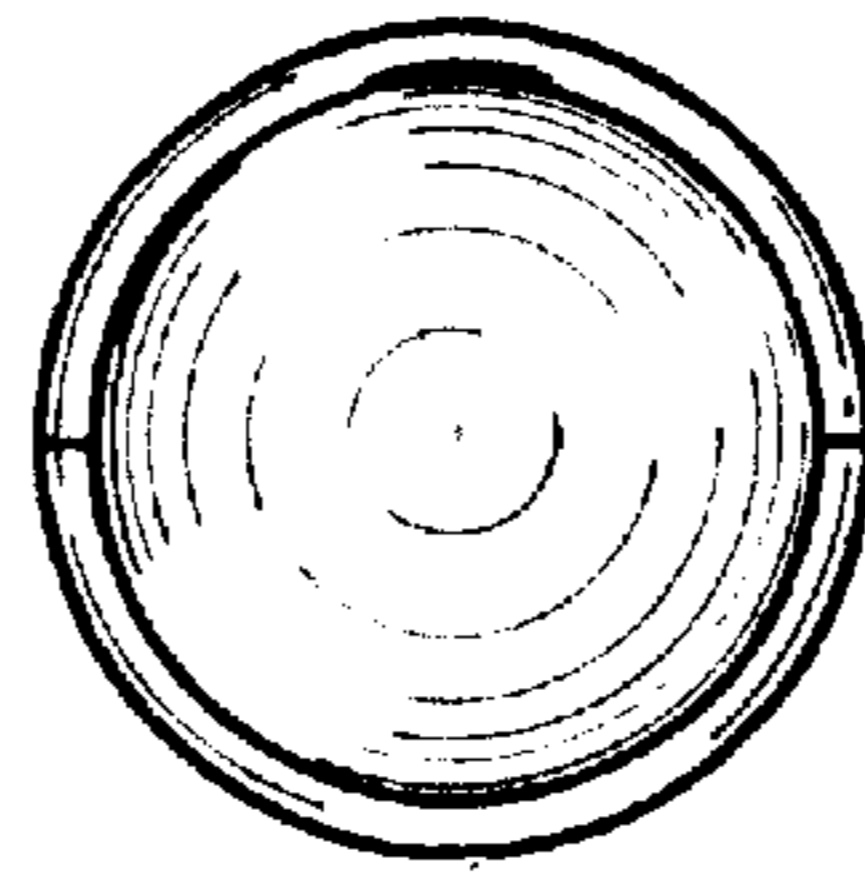


FIG. 1

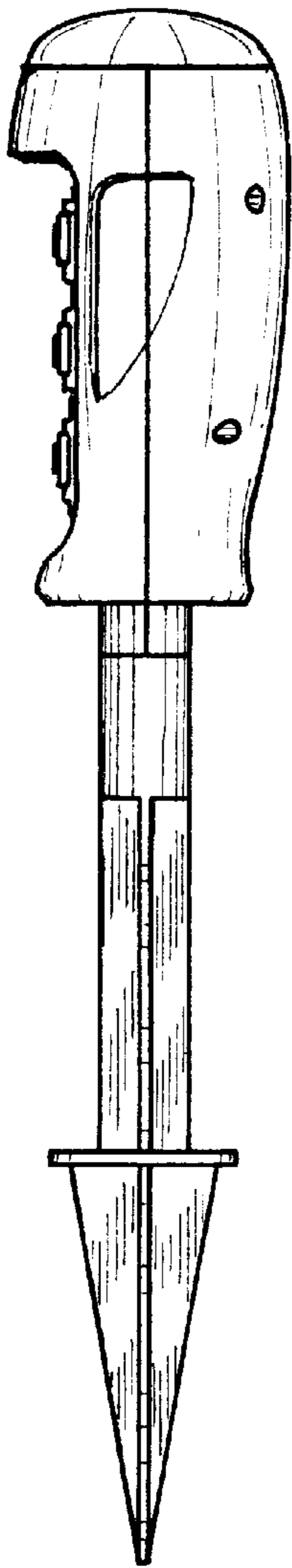


FIG. 3

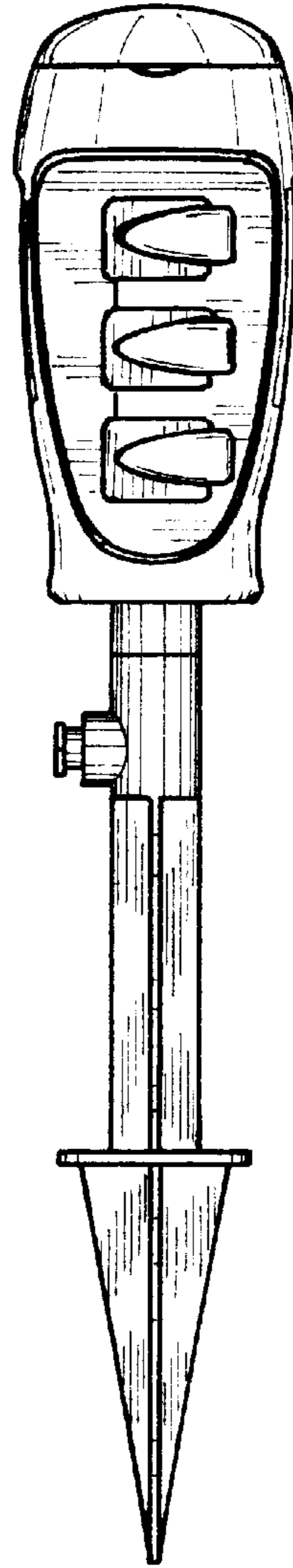


FIG. 2

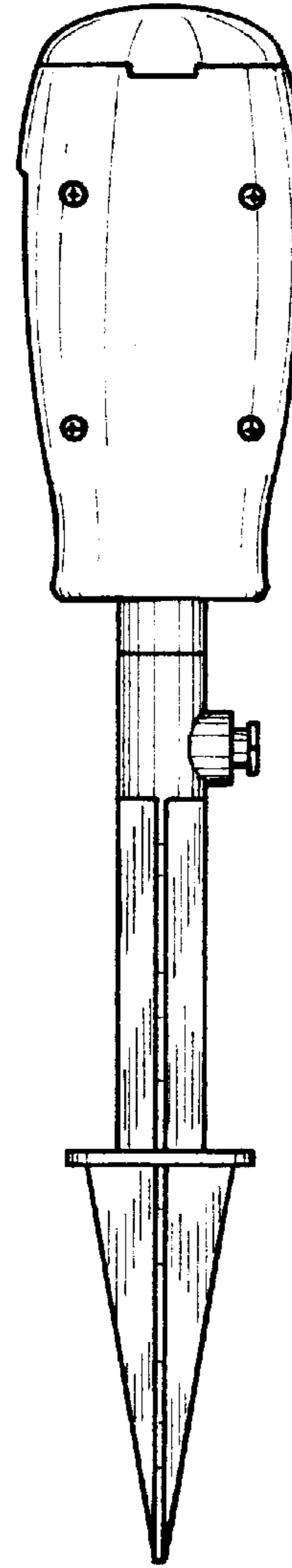


FIG. 4

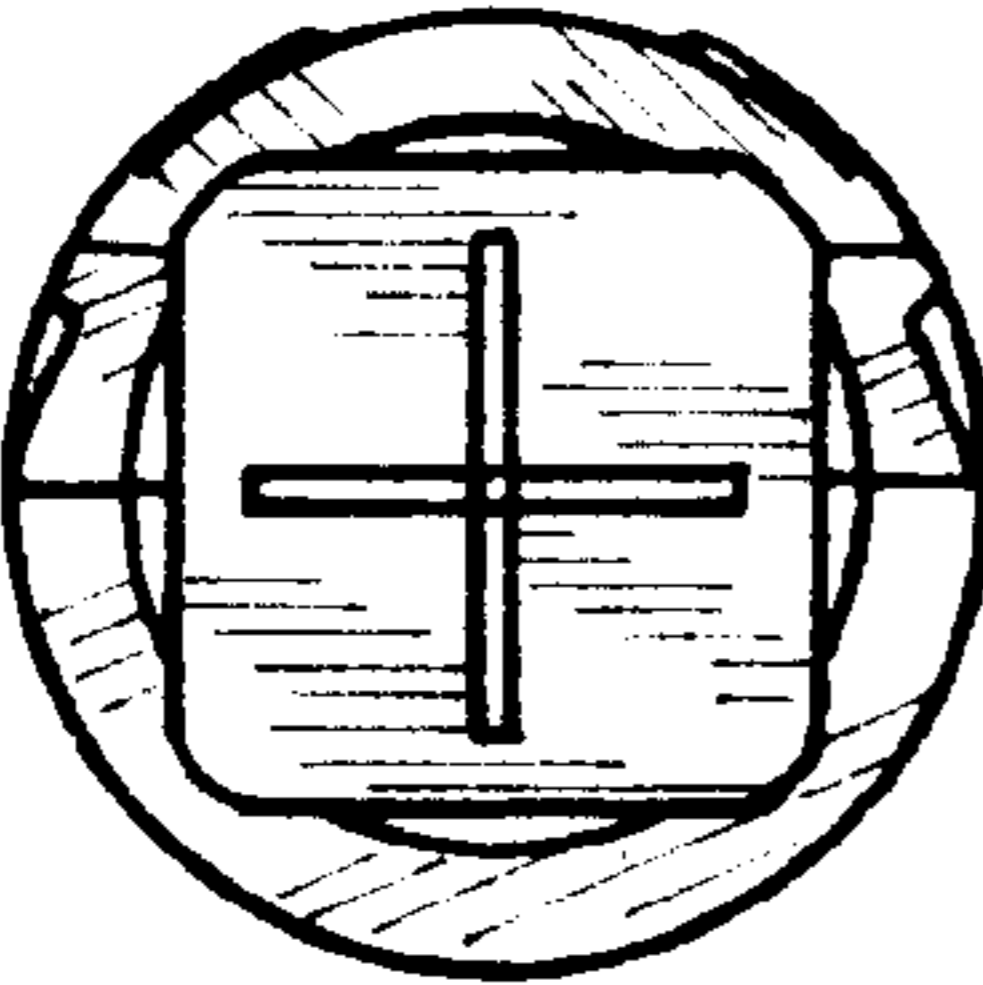


FIG. 5

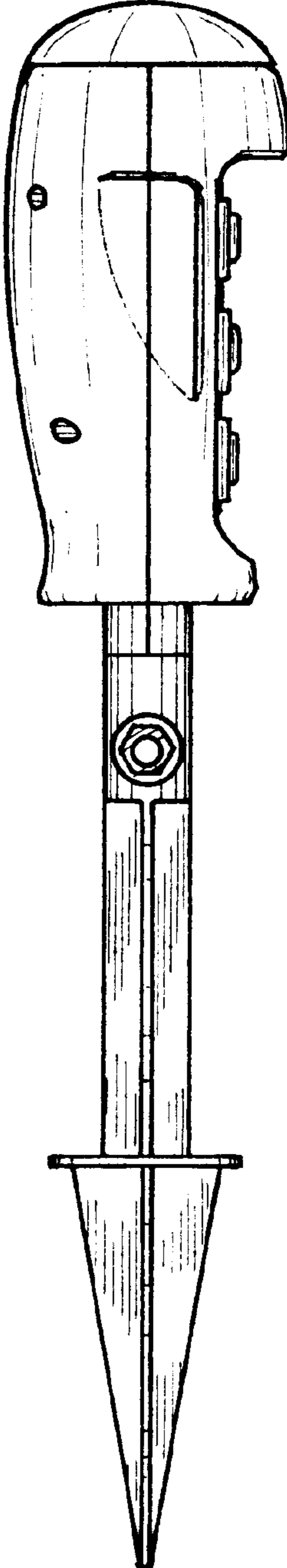


FIG. 6