



US00D511694S

(12) **United States Design Patent**
Bhavnani

(10) **Patent No.:** **US D511,694 S**

(45) **Date of Patent:** **** Nov. 22, 2005**

(54) **CLOCK**

(75) **Inventor:** **Dilip Bhavnani**, Beverly Hills, CA (US)

(73) **Assignee:** **Sun Coast Merchandise Corp.**, Commerce, CA (US)

(**) **Term:** **14 Years**

(21) **Appl. No.:** **29/219,522**

(22) **Filed:** **Dec. 16, 2004**

(51) **LOC (8) Cl.** **10-01**

(52) **U.S. Cl.** **D10/23**

(58) **Field of Search** D10/1-29, 40, D10/128; 368/276-278, 285, 10, 316, 317

(56) **References Cited**

U.S. PATENT DOCUMENTS

D1,966 S	*	6/1864	Dunne	D10/28
D79,747 S	*	10/1929	Ogden	D10/1
D79,748 S	*	10/1929	Ogden	D10/21
D150,663 S	*	8/1948	Van Dyck	D10/128

D197,617 S	*	3/1964	Shanck et al.	D10/1
D222,378 S	*	10/1971	Berkoff	D10/26
D335,633 S	*	5/1993	Wada	D10/28
D354,008 S	*	1/1995	Takashima	D10/28
D358,551 S	*	5/1995	Silver	D10/28
D361,040 S	*	8/1995	Shinozaki	D10/23
D361,519 S	*	8/1995	Inora	D10/18

* cited by examiner

Primary Examiner—Lucy Lieberman

(74) *Attorney, Agent, or Firm*—Brian M. Carpenter

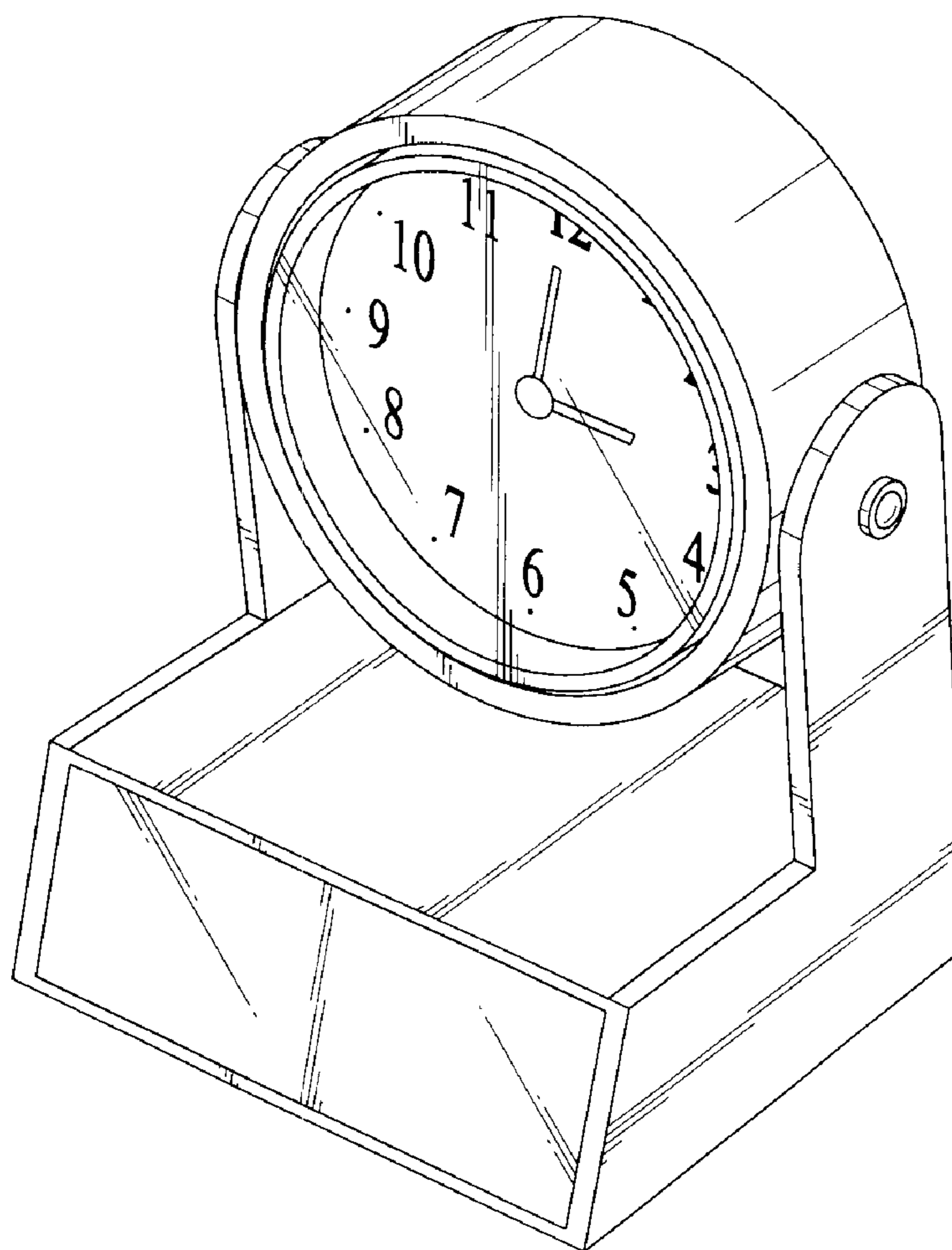
(57) **CLAIM**

The ornamental design for a clock, as shown and described.

DESCRIPTION

FIG. 1 is a top front perspective view of a clock; FIG. 2 is a front elevation view of the clock of FIG. 1; FIG. 3 is a right side elevation view of the clock of FIG. 1; FIG. 4 is a left side elevation view of the clock of FIG. 1; FIG. 5 is a top plan view of the clock of FIG. 1; FIG. 6 is a bottom plan view of the clock of FIG. 1; and, FIG. 7 is a back elevation view of a clock of FIG. 1.

1 Claim, 3 Drawing Sheets



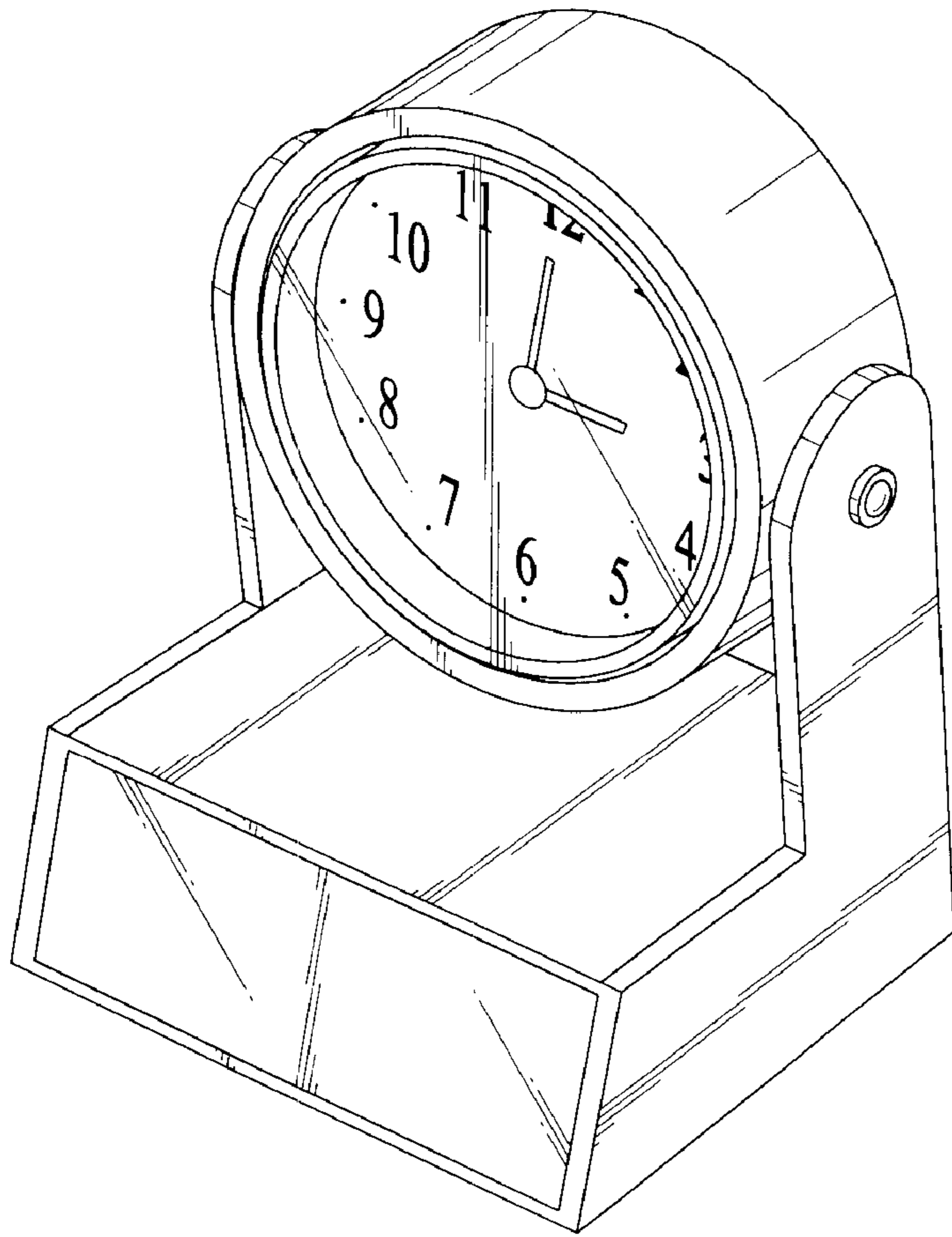


FIG. 1

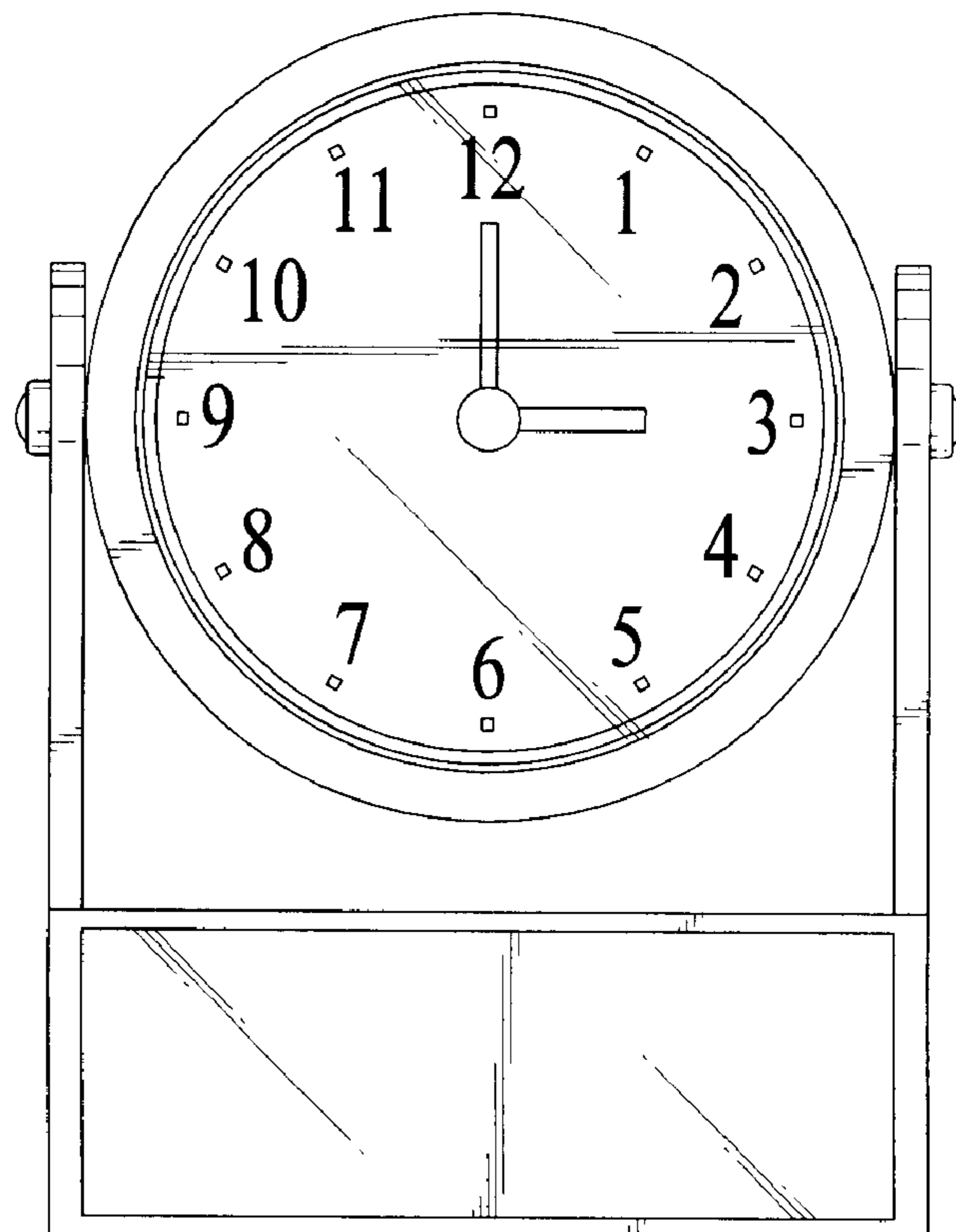


FIG. 2

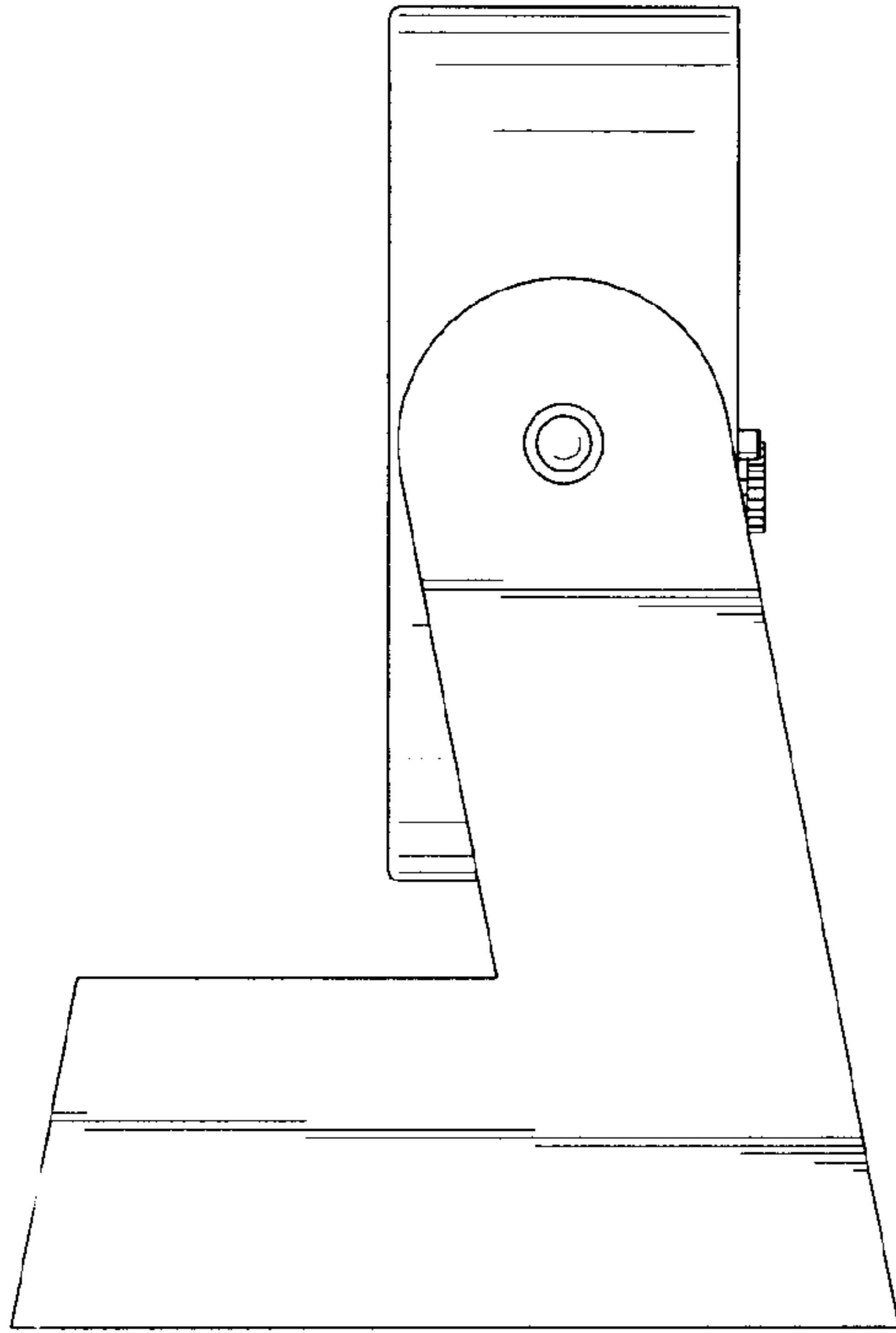


FIG. 3

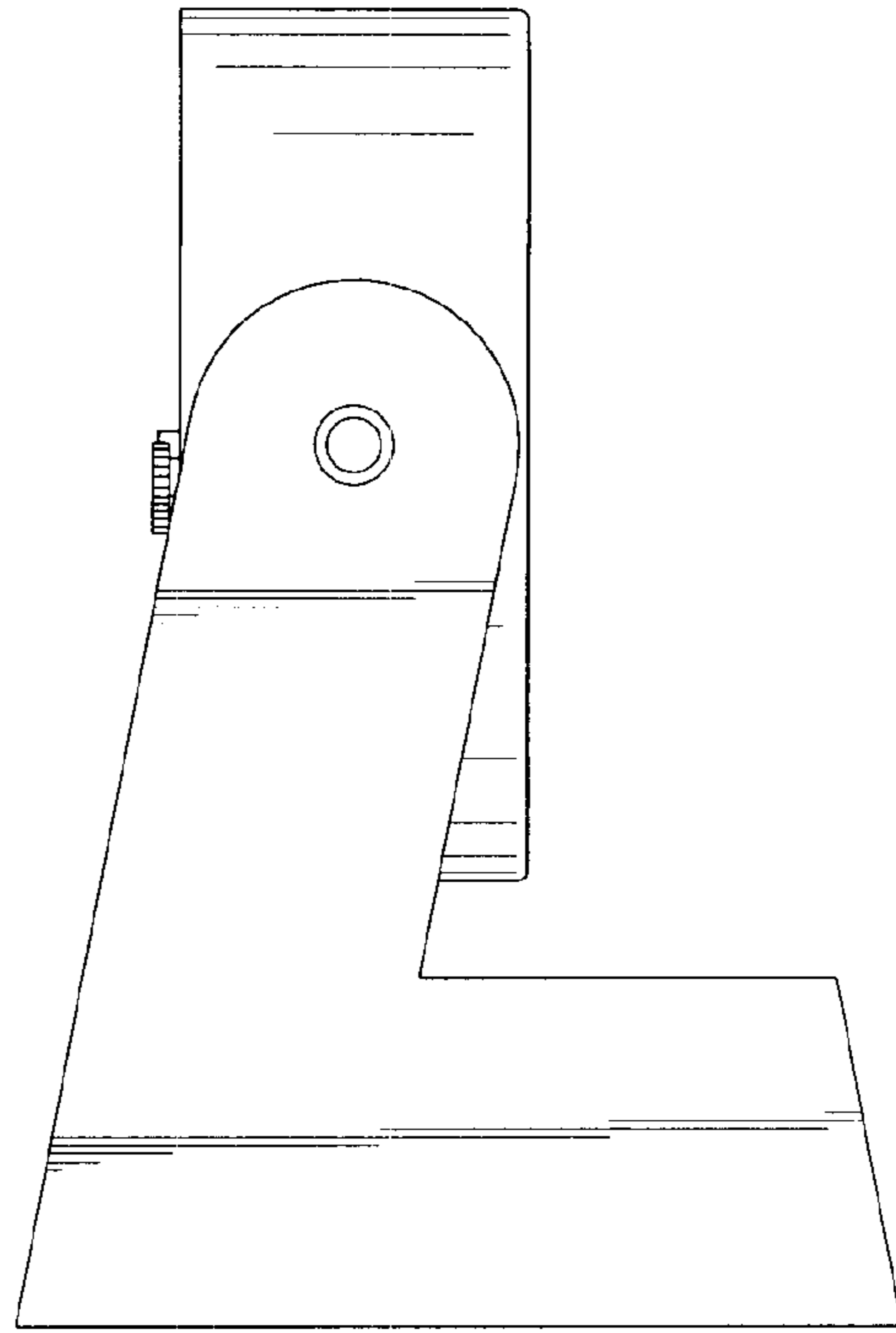


FIG. 4

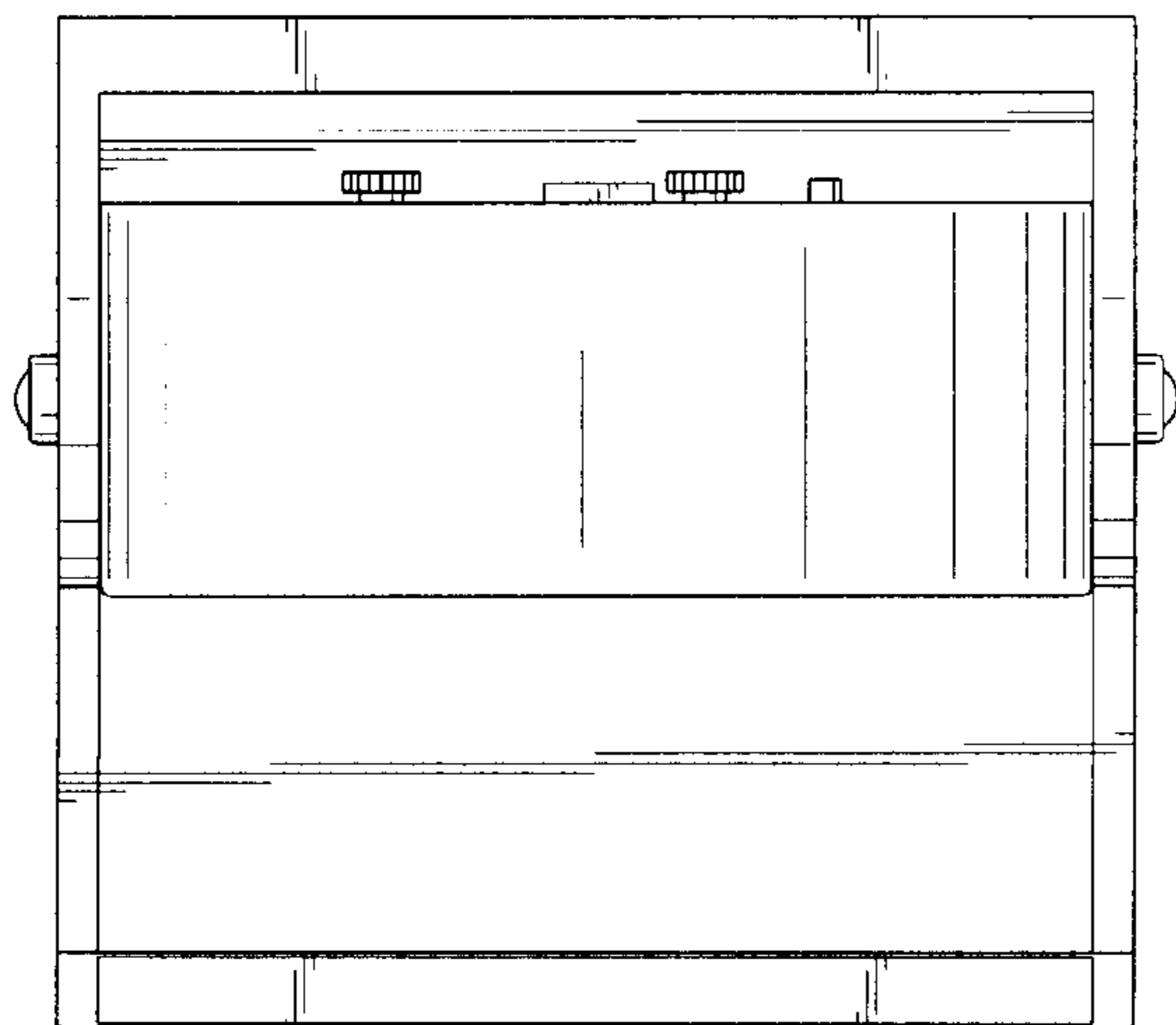


FIG. 5

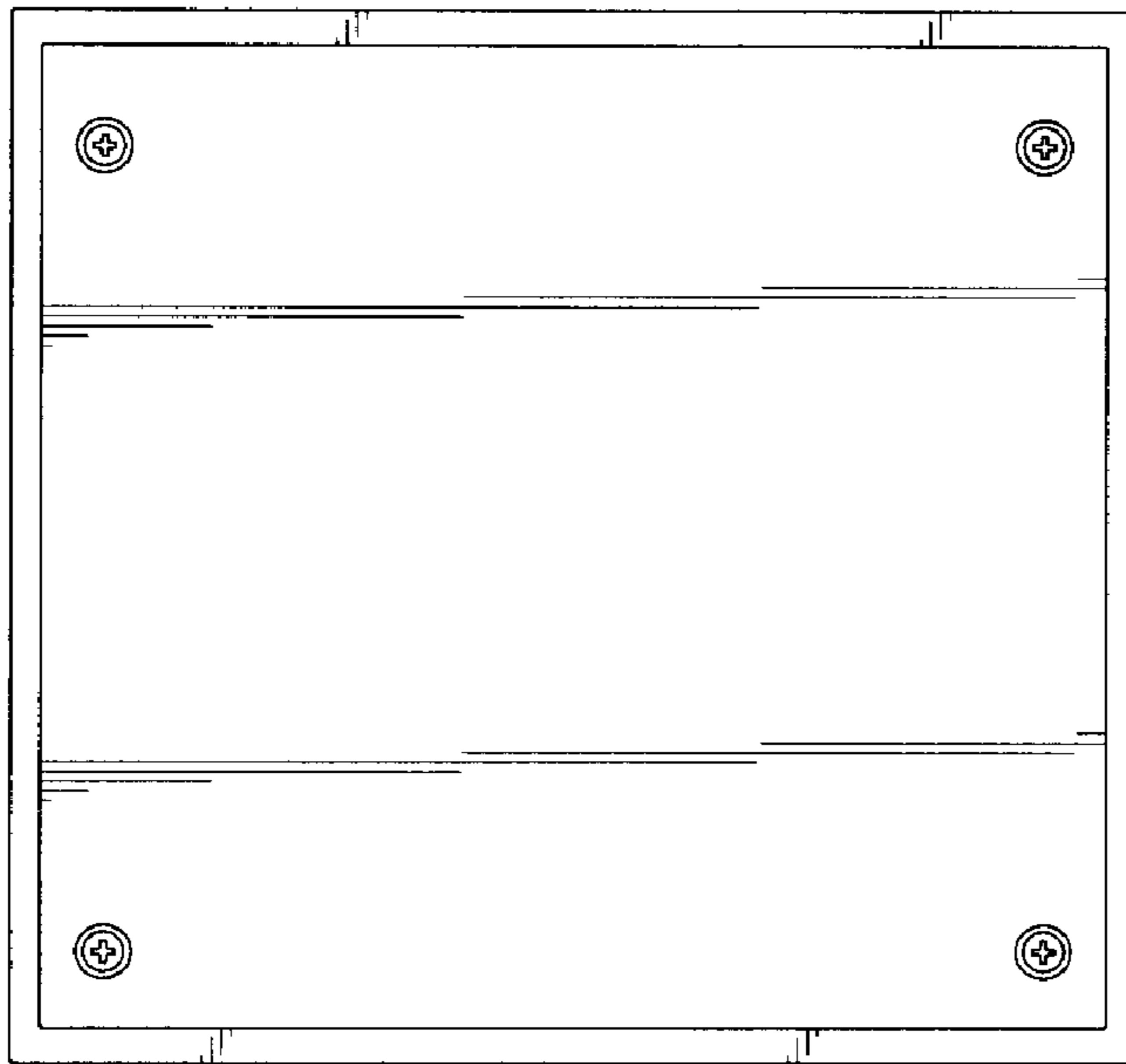


FIG. 6

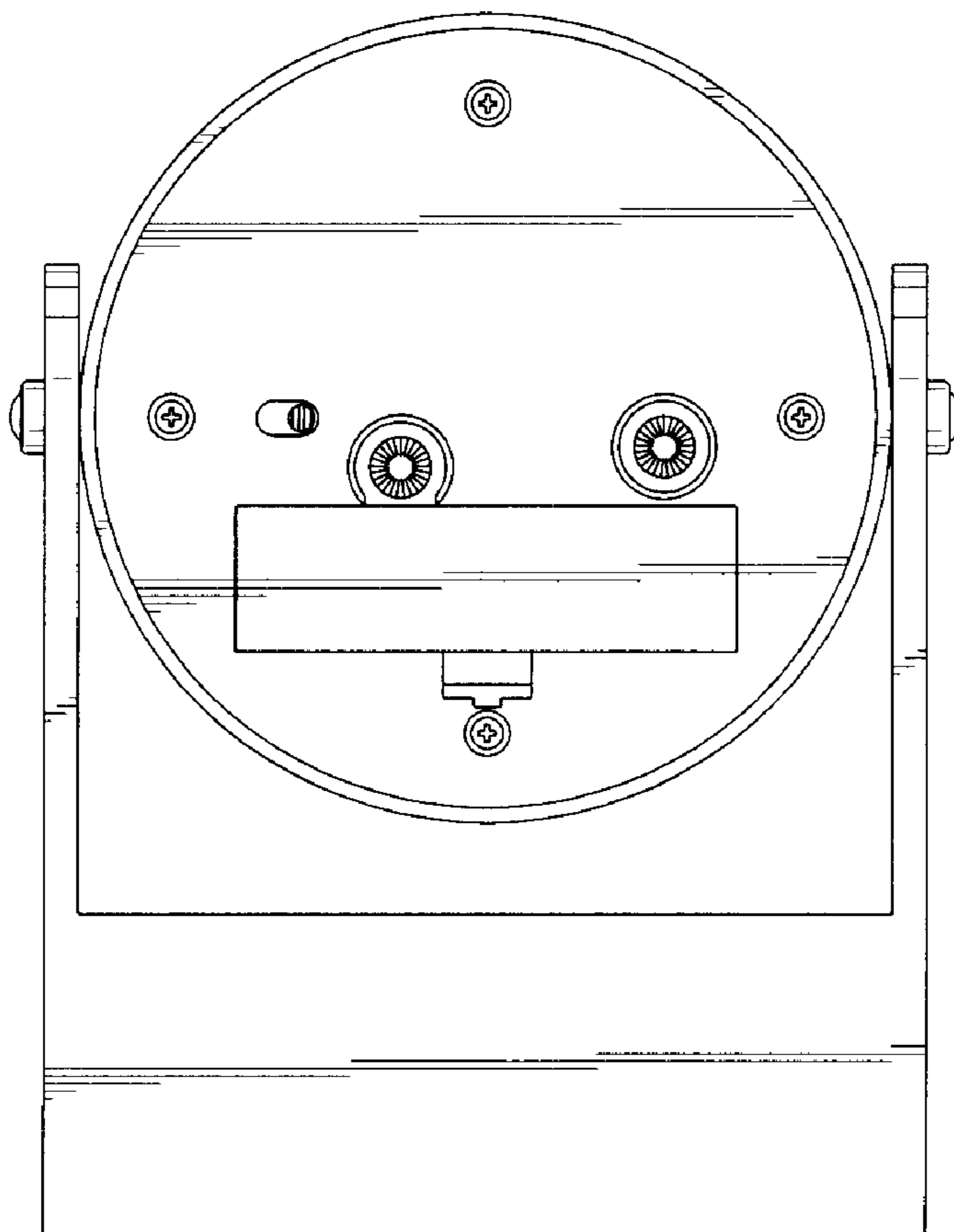


FIG. 7