



US00D511693S

(12) **United States Design Patent**
Ma

(10) **Patent No.:** **US D511,693 S**

(45) **Date of Patent:** **** Nov. 22, 2005**

(54) **SWIVELLING CLOCK**

(75) **Inventor:** **Evan Ma, Kwai Chung (HK)**

(73) **Assignee:** **Good Fortune Electronics (HK) Ltd.,
New Territories (HK)**

(**) **Term:** **14 Years**

(21) **Appl. No.:** **29/217,544**

(22) **Filed:** **Nov. 19, 2004**

(51) **LOC (8) Cl.** **10-01**

(52) **U.S. Cl.** **D10/23**

(58) **Field of Search** D10/1-29, 40,
D10/128; 368/276-278, 285, 10, 316, 317

(56) **References Cited**

U.S. PATENT DOCUMENTS

- D75,623 S * 6/1928 Herbermann D10/23
- D319,589 S * 9/1991 Unruh et al. D10/23
- D335,633 S * 5/1993 Wada D10/28
- D343,798 S * 2/1994 Peersmann D10/23

- D361,040 S * 8/1995 Shinozaki D10/23
- D361,519 S * 8/1995 Inora D10/18
- D473,145 S * 4/2003 Chang D10/2
- D475,930 S * 6/2003 Chang D10/1

* cited by examiner

Primary Examiner—Lucy Lieberman

(74) *Attorney, Agent, or Firm*—Rabin & Berdo, P.C.

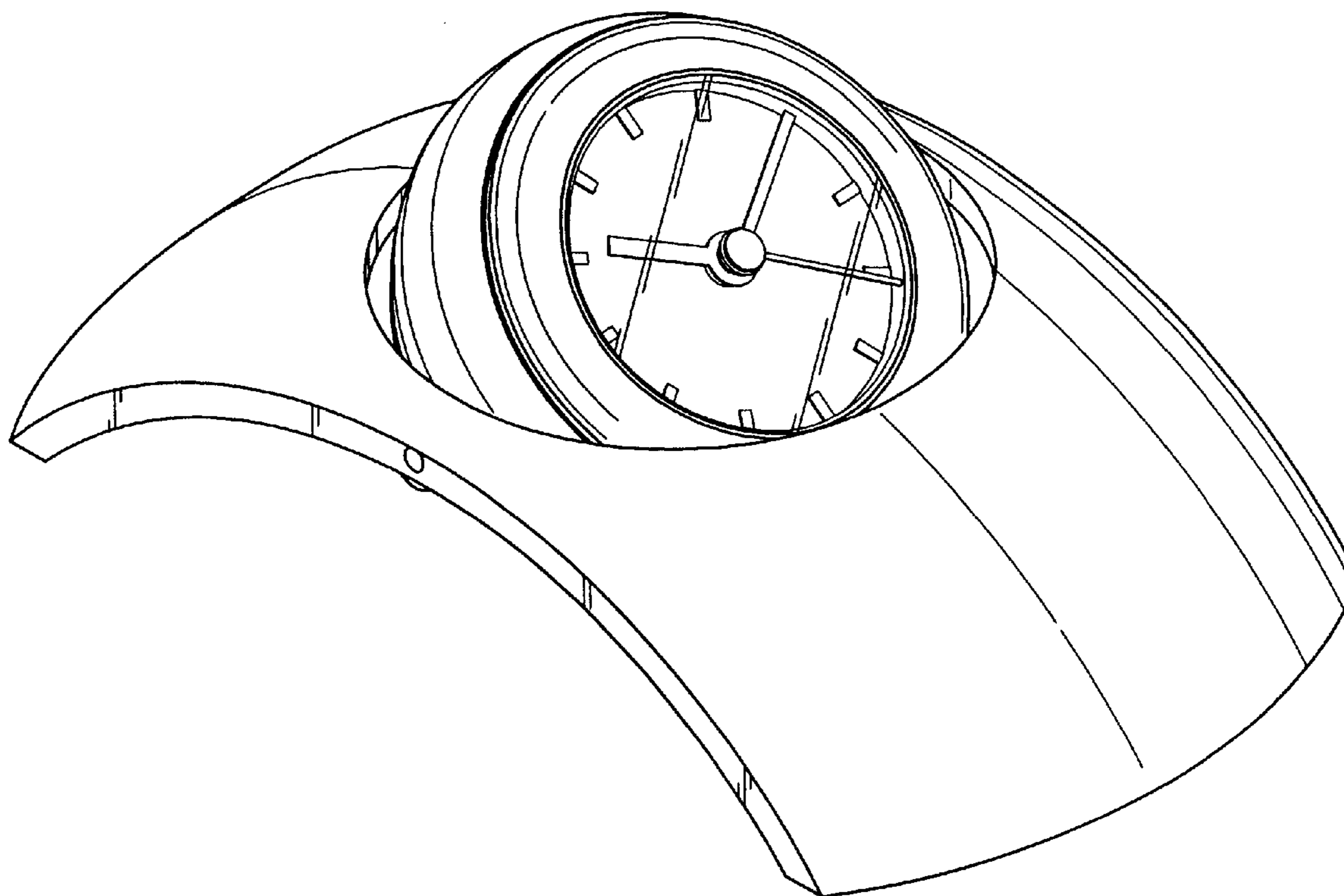
(57) **CLAIM**

The ornamental design for a swivelling clock, as shown and described.

DESCRIPTION

FIG. 1 is a perspective view of a swivelling clock showing my new design;
 FIG. 2 is a front view thereof;
 FIG. 3 is a rear view thereof;
 FIG. 4 is a left side view thereof;
 FIG. 5 is a right side view thereof;
 FIG. 6 is a top plan view thereof; and,
 FIG. 7 is a bottom plan view thereof.

1 Claim, 5 Drawing Sheets



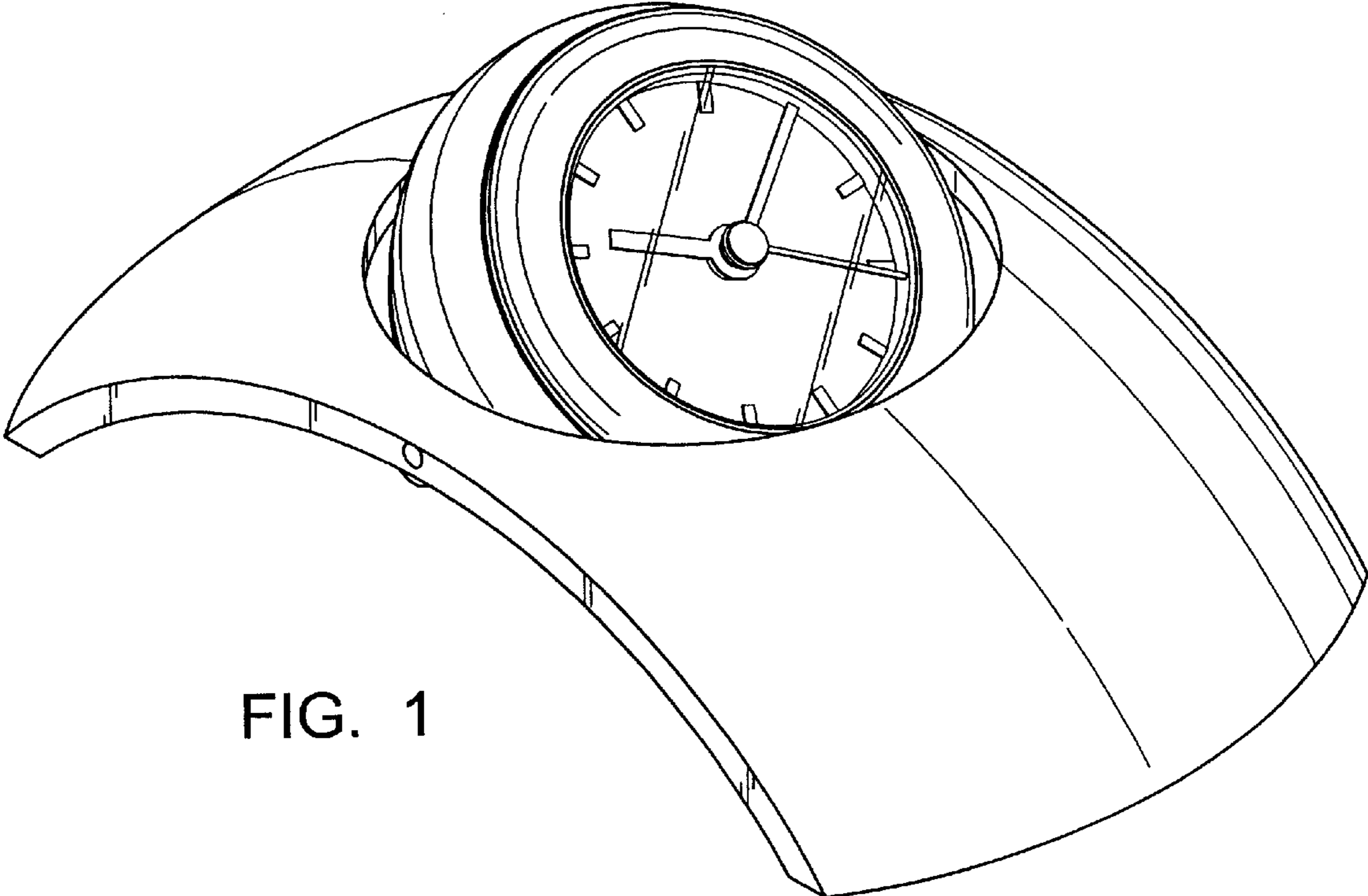


FIG. 1

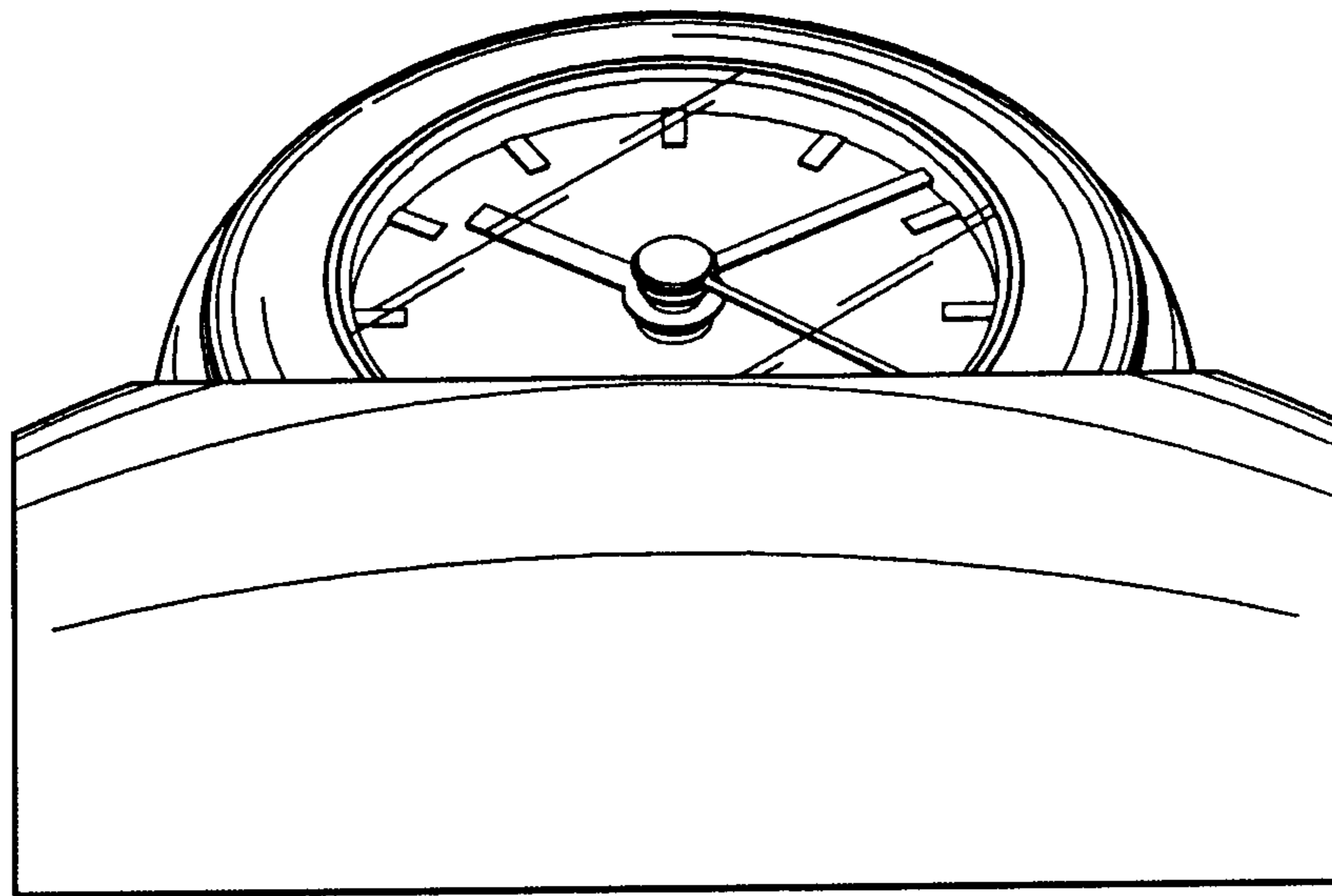


FIG. 2

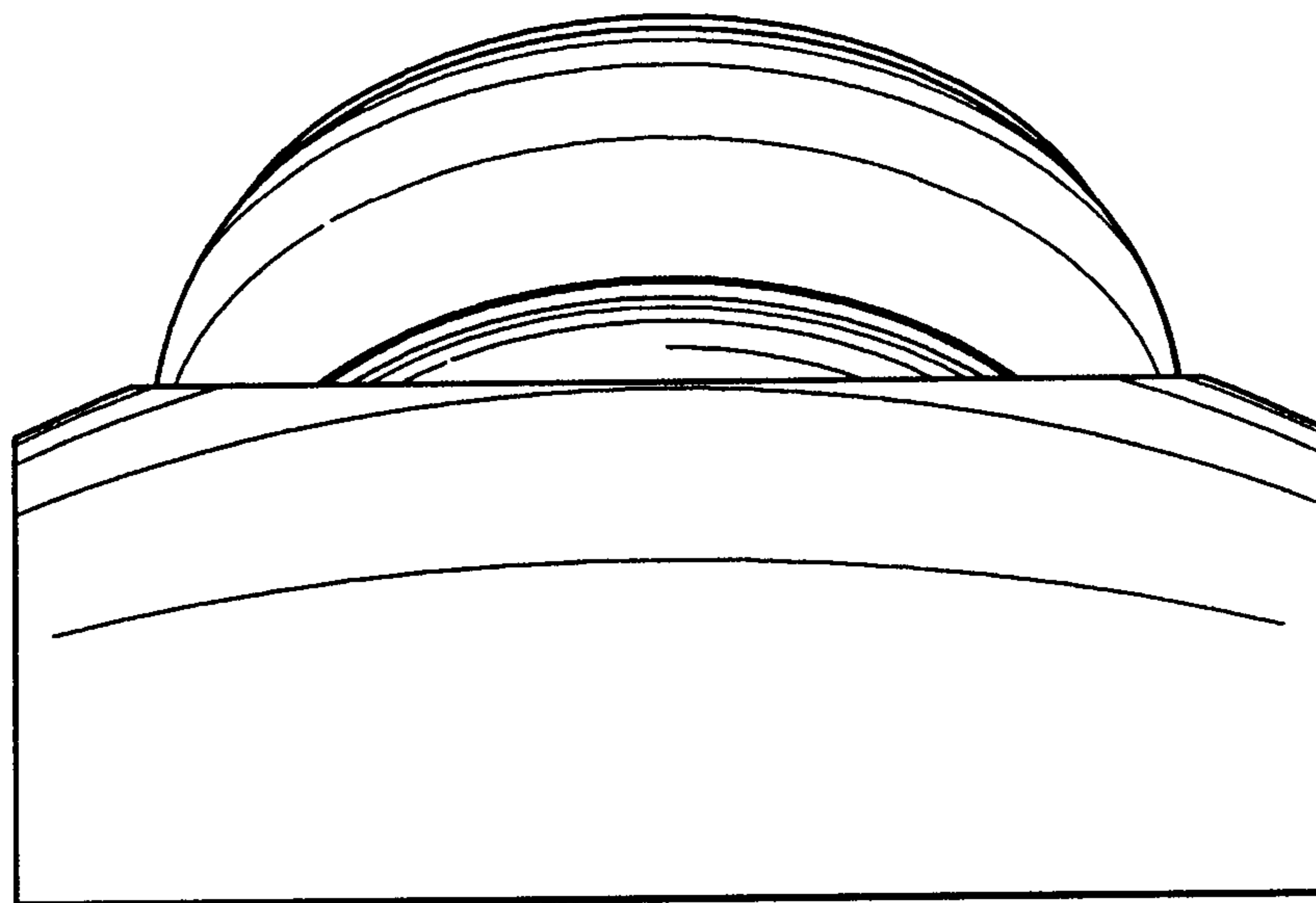


FIG. 3

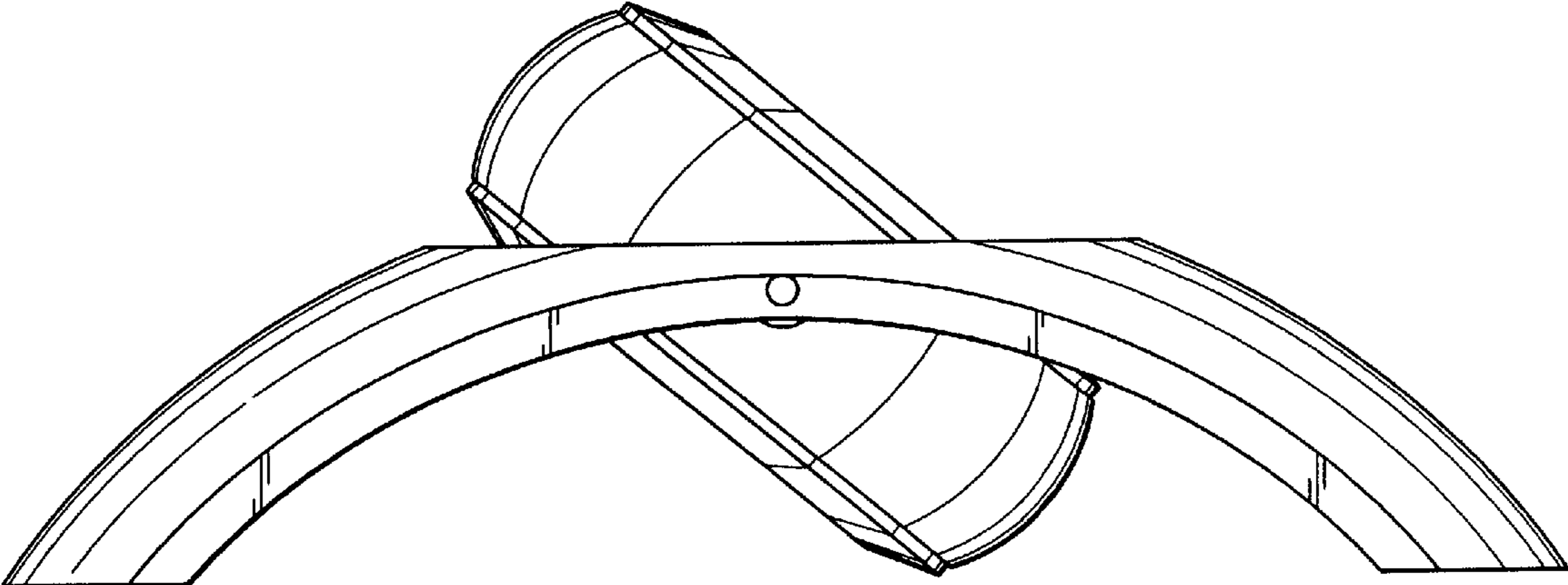


FIG. 4

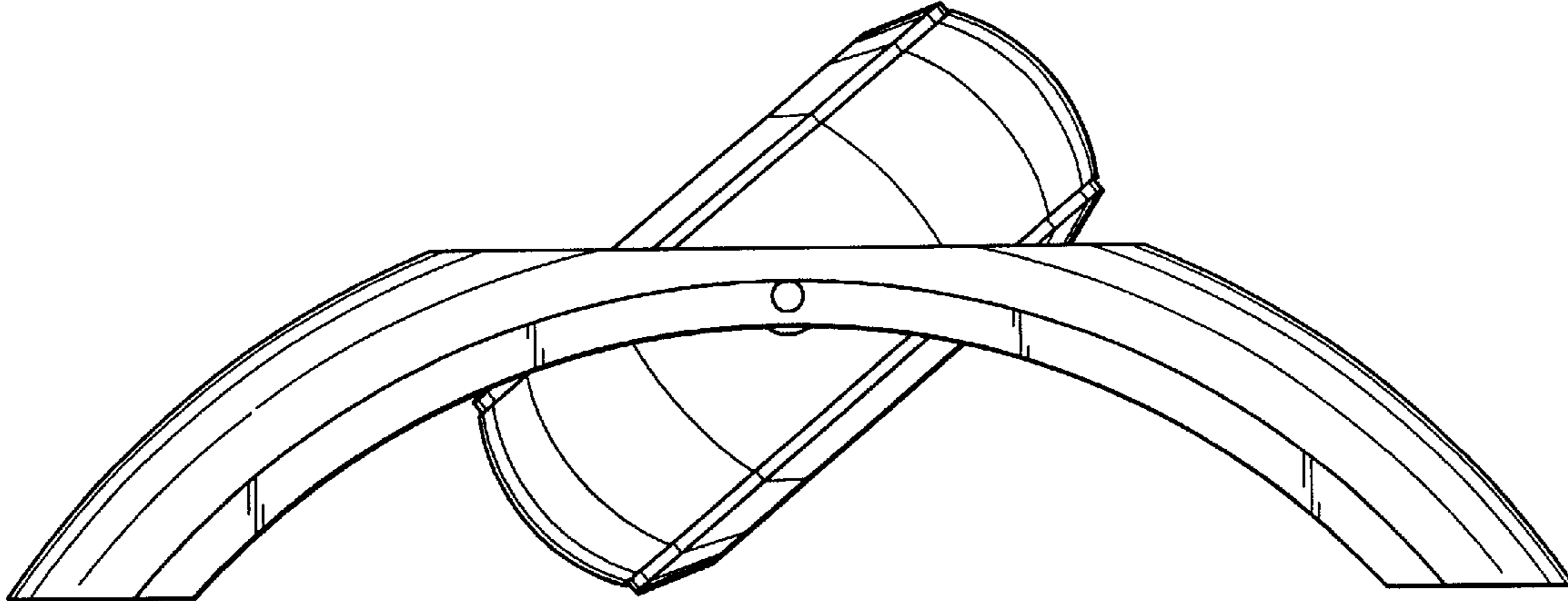


FIG. 5

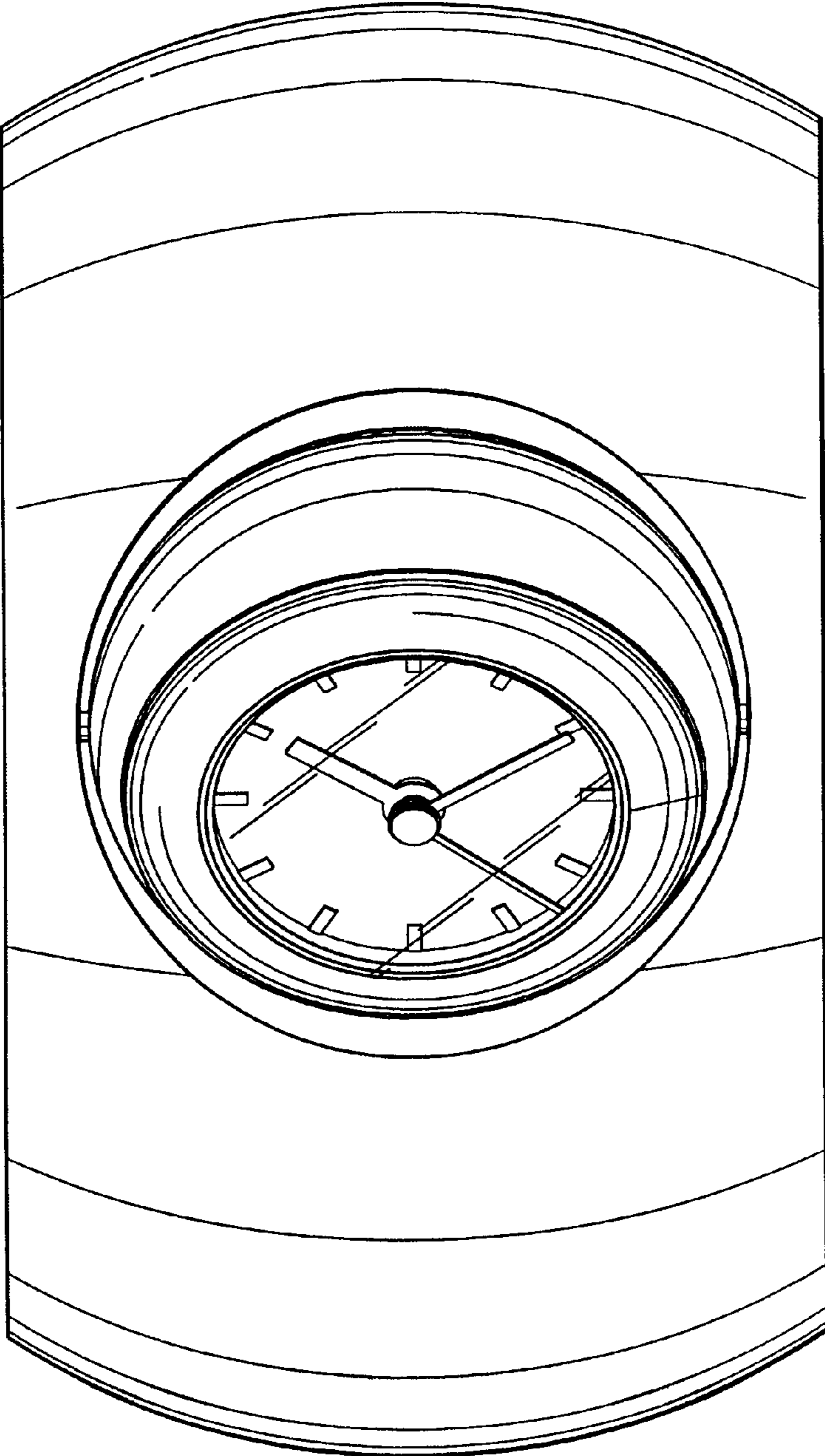


FIG. 6

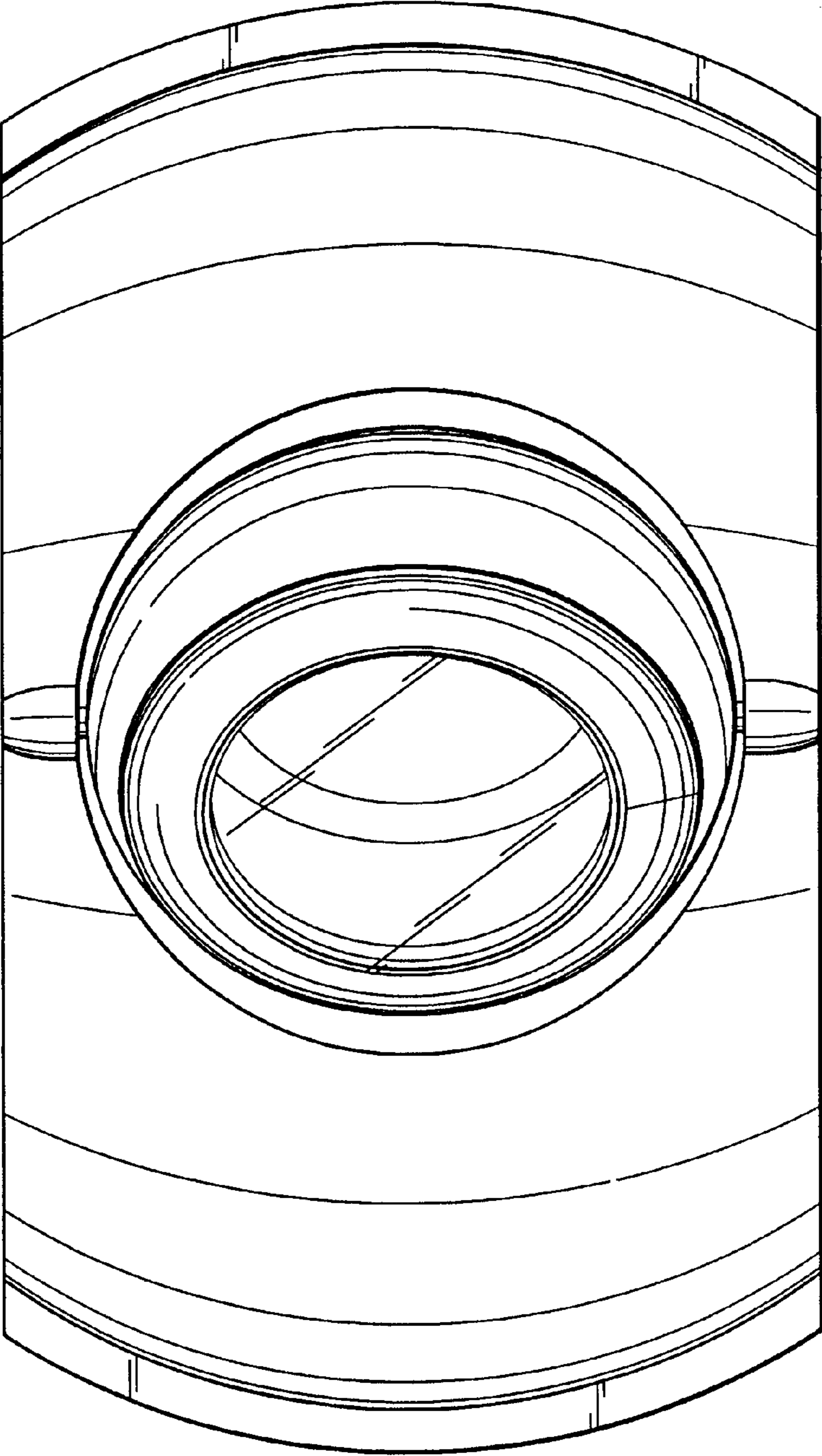


FIG. 7