

US00D511692S

(12) **United States Design Patent**
Chan

(10) **Patent No.:** **US D511,692 S**

(45) **Date of Patent:** **** Nov. 22, 2005**

(54) **CLOCK**

(75) **Inventor:** **Sik-Leung Chan**, New Territories (CN)

(73) **Assignee:** **C. C. & L Company Limited**, Hong Kong (CN)

(**) **Term:** **14 Years**

(21) **Appl. No.:** **29/213,482**

(22) **Filed:** **Sep. 17, 2004**

(30) **Foreign Application Priority Data**

Mar. 19, 2004 (HK) 0410627

(51) **LOC (8) Cl.** **10-01**

(52) **U.S. Cl.** **D10/15; D10/2; D10/18**

(58) **Field of Search** D10/1-29, 40,
D10/128; 368/28-30, 41-44, 82-84, 239-249,
276, 277, 280, 285, 88, 226, 227, 223,
316, 317, 278, 284, 10

(56) **References Cited**

U.S. PATENT DOCUMENTS

D274,042 S * 5/1984 Bulgari D10/18
D337,950 S * 8/1993 Davis D10/15

D375,902 S * 11/1996 Wong D10/15
D386,094 S * 11/1997 Ventrella D10/30
D436,868 S * 1/2001 Chan D10/15
D444,072 S * 6/2001 Chan D10/3
D459,383 S * 6/2002 Li D18/2
D491,816 S * 6/2004 Leung D10/5

* cited by examiner

Primary Examiner—Lucy Lieberman

(74) *Attorney, Agent, or Firm*—Alix, Yale & Ristas, LLP

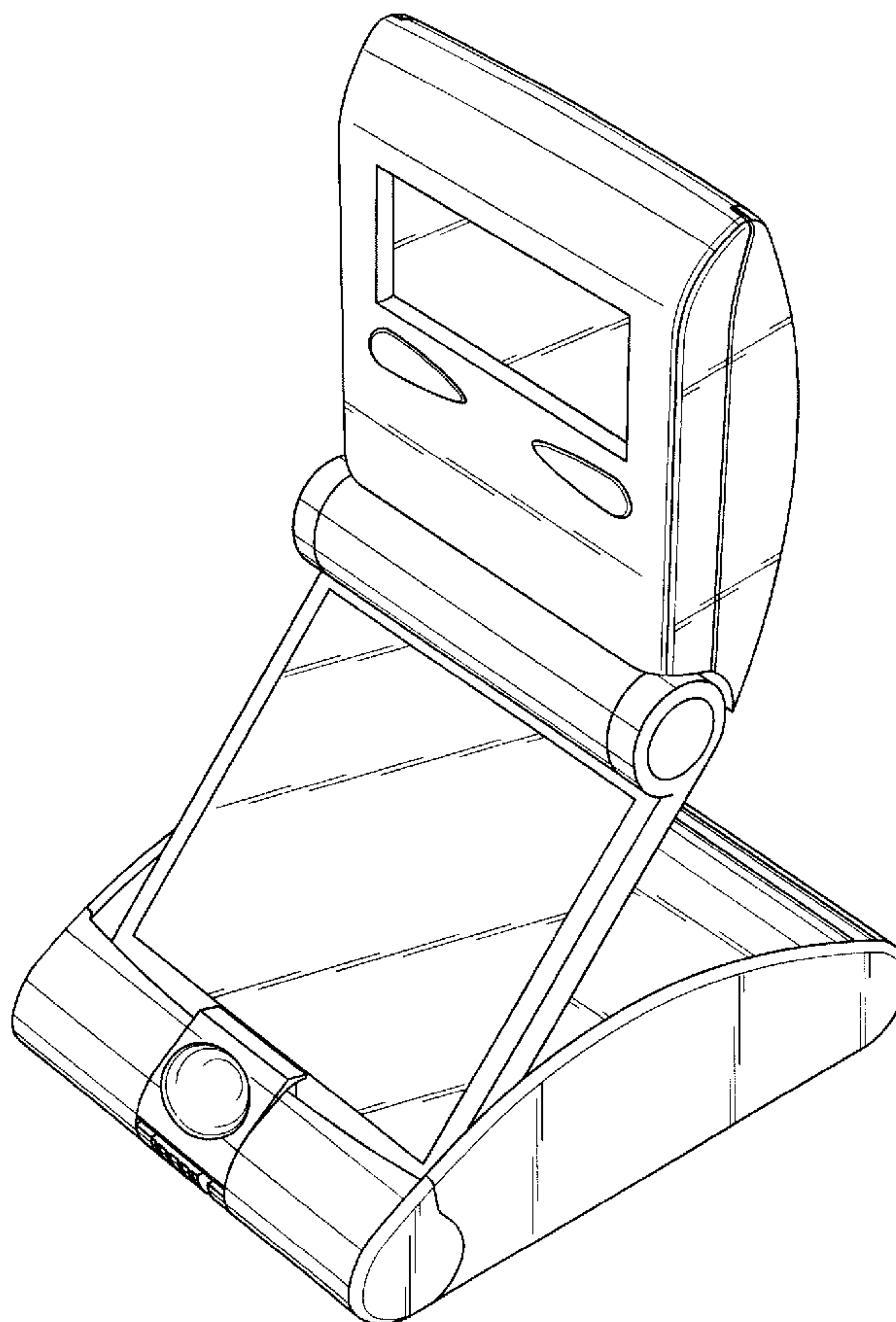
(57) **CLAIM**

The ornamental design for a clock, as shown and described.

DESCRIPTION

FIG. 1 is a front perspective view of a clock showing my new design;
FIG. 2 is a front elevational view thereof;
FIG. 3 is a top plan view thereof;
FIG. 4 is a left side elevational view thereof;
FIG. 5 is a right side elevational view thereof;
FIG. 6 is a rear elevational view thereof;
FIG. 7 is a bottom plan view thereof; and,
FIG. 8 is a front perspective view thereof in an open position.

1 Claim, 5 Drawing Sheets



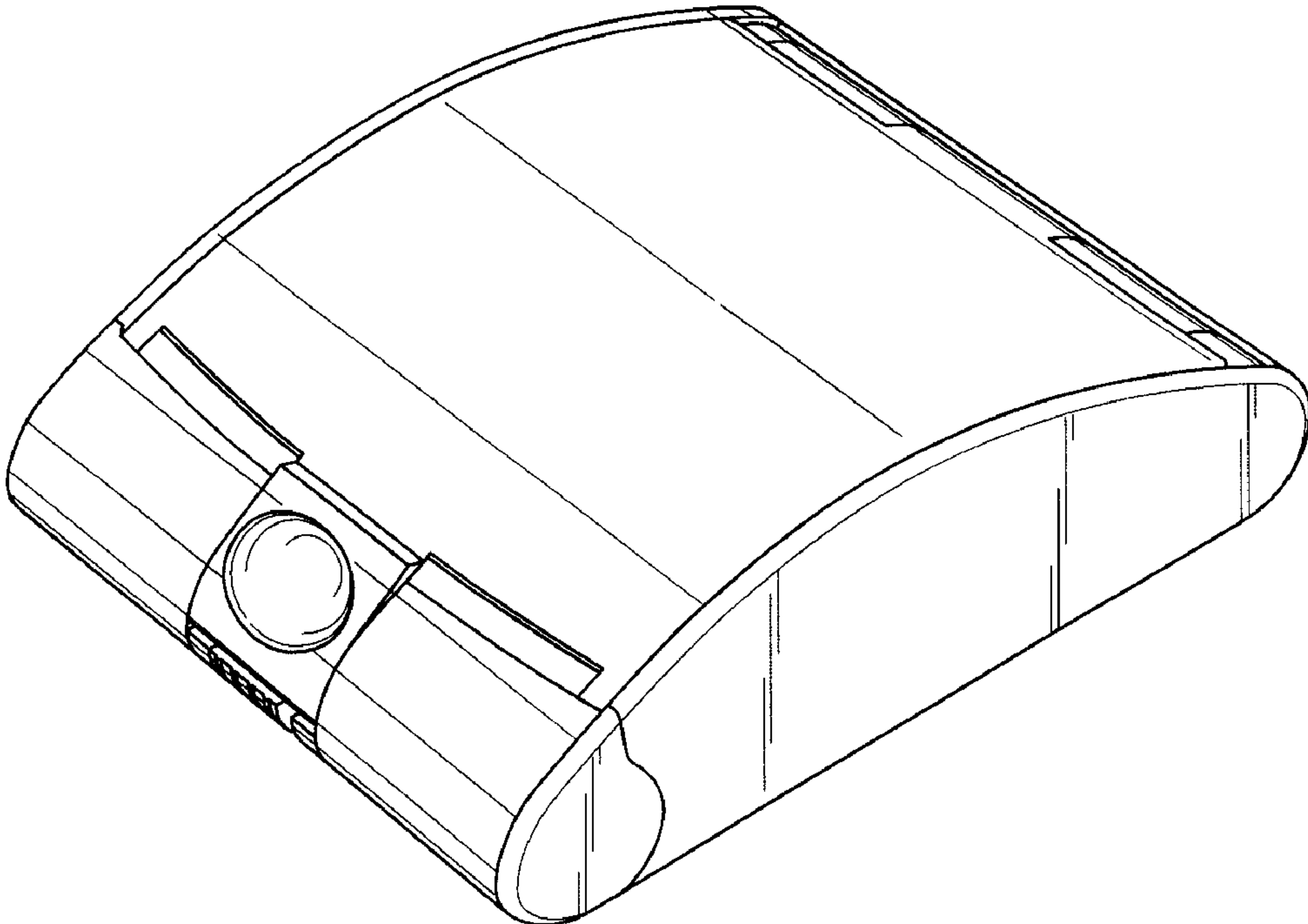


FIG. 1

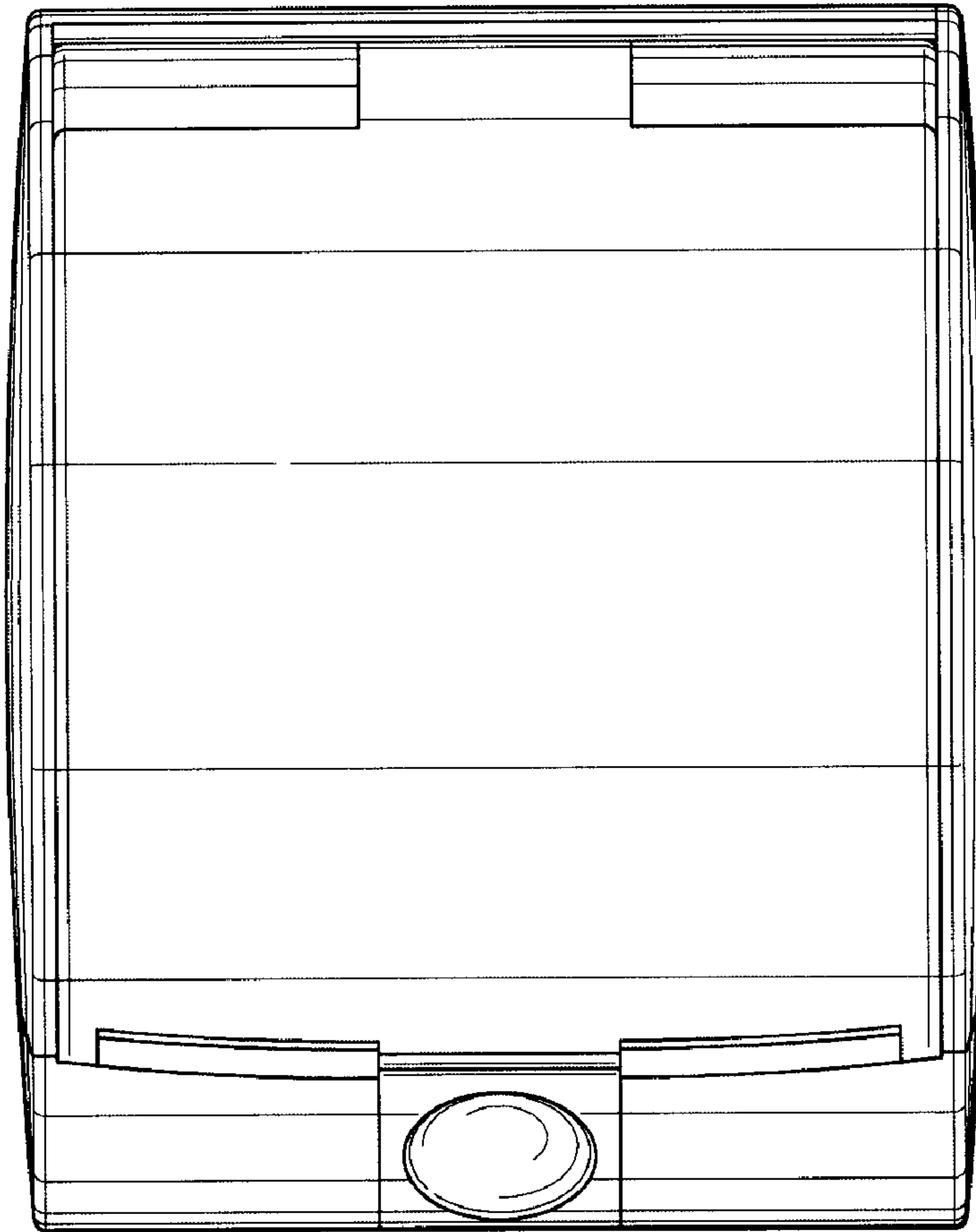


FIG. 3

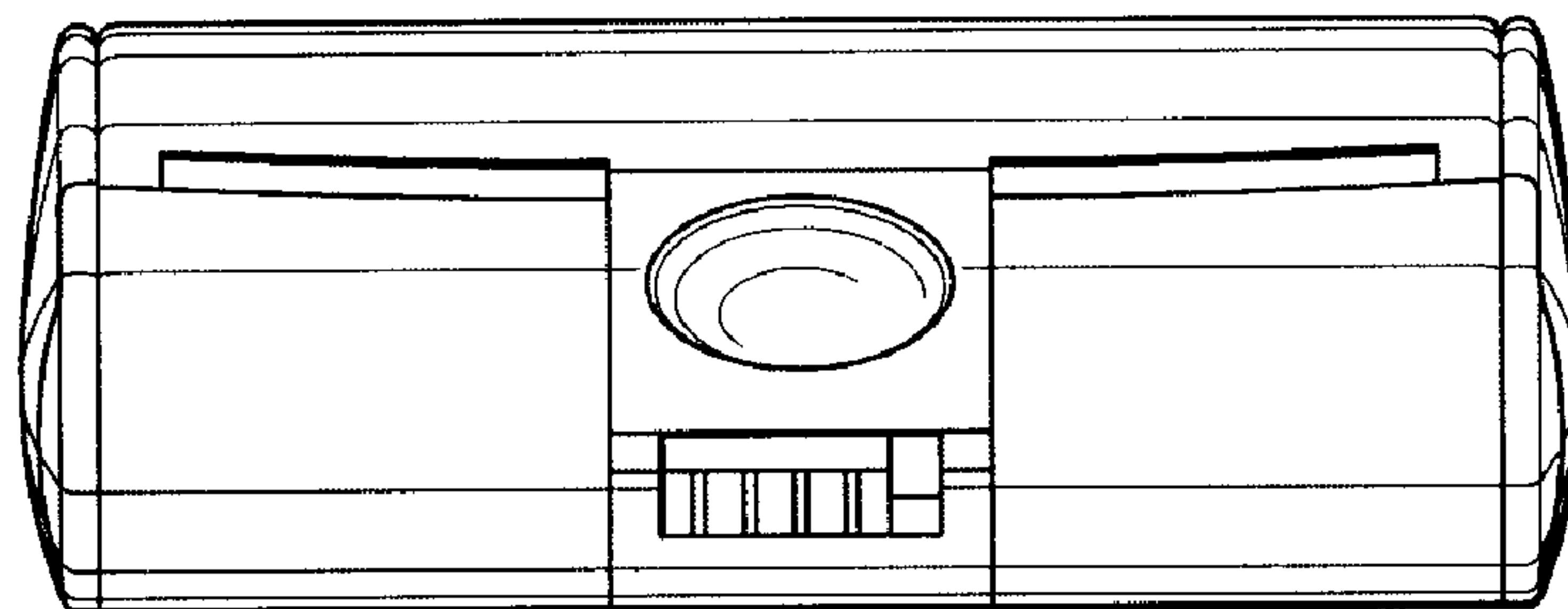


FIG. 2

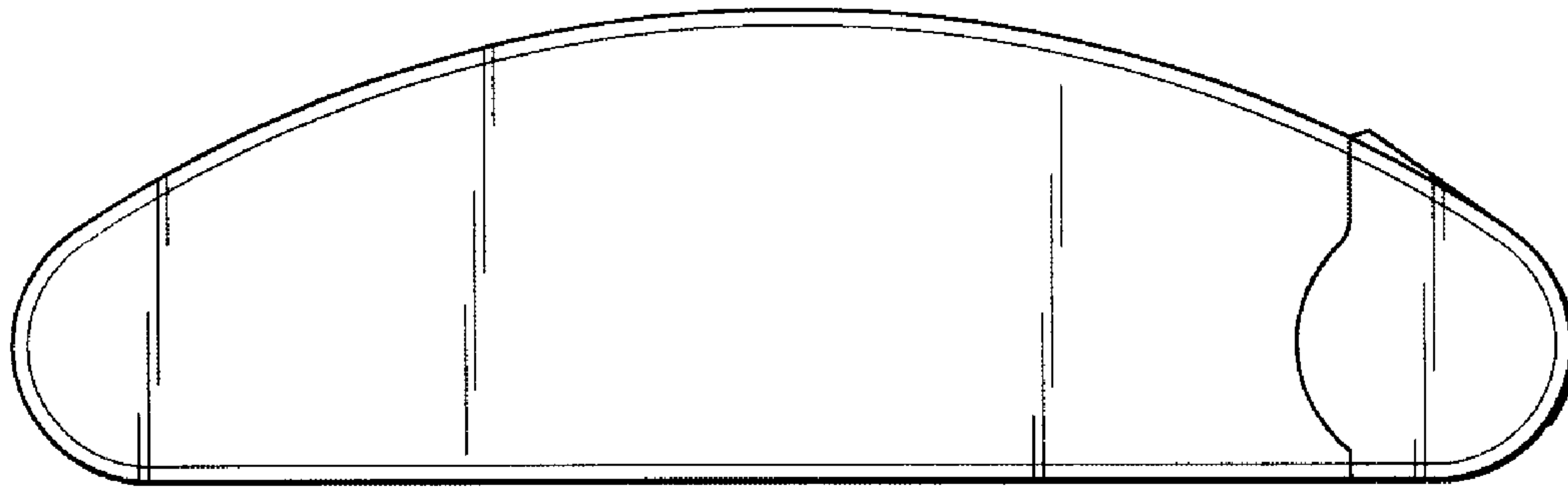


FIG. 4

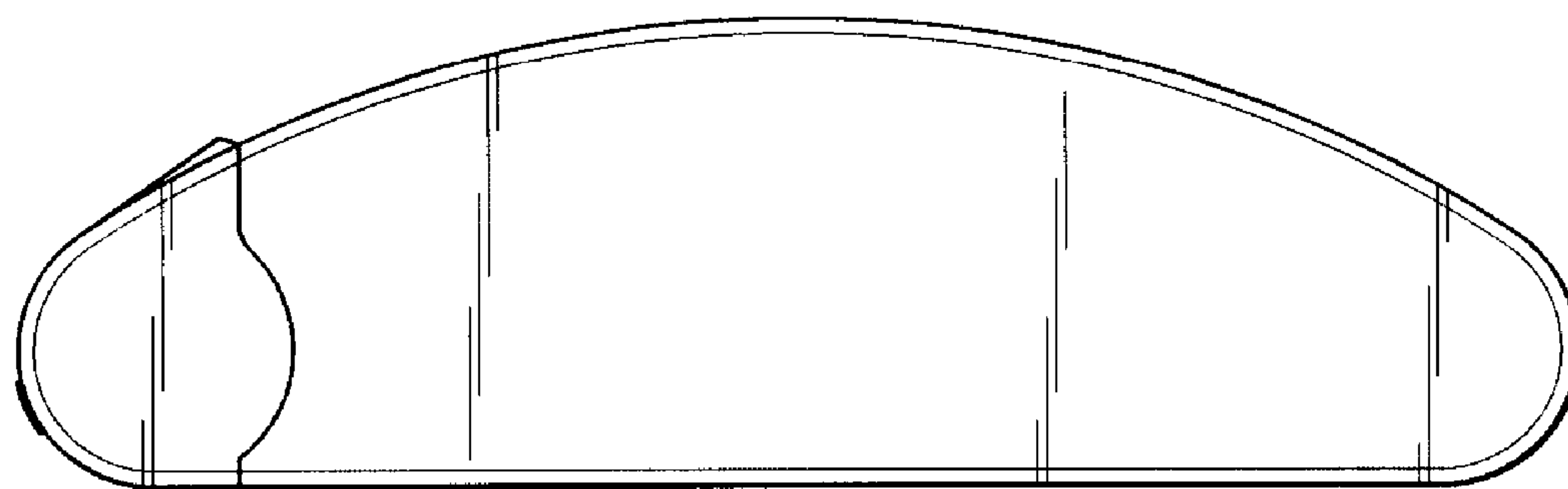


FIG. 5

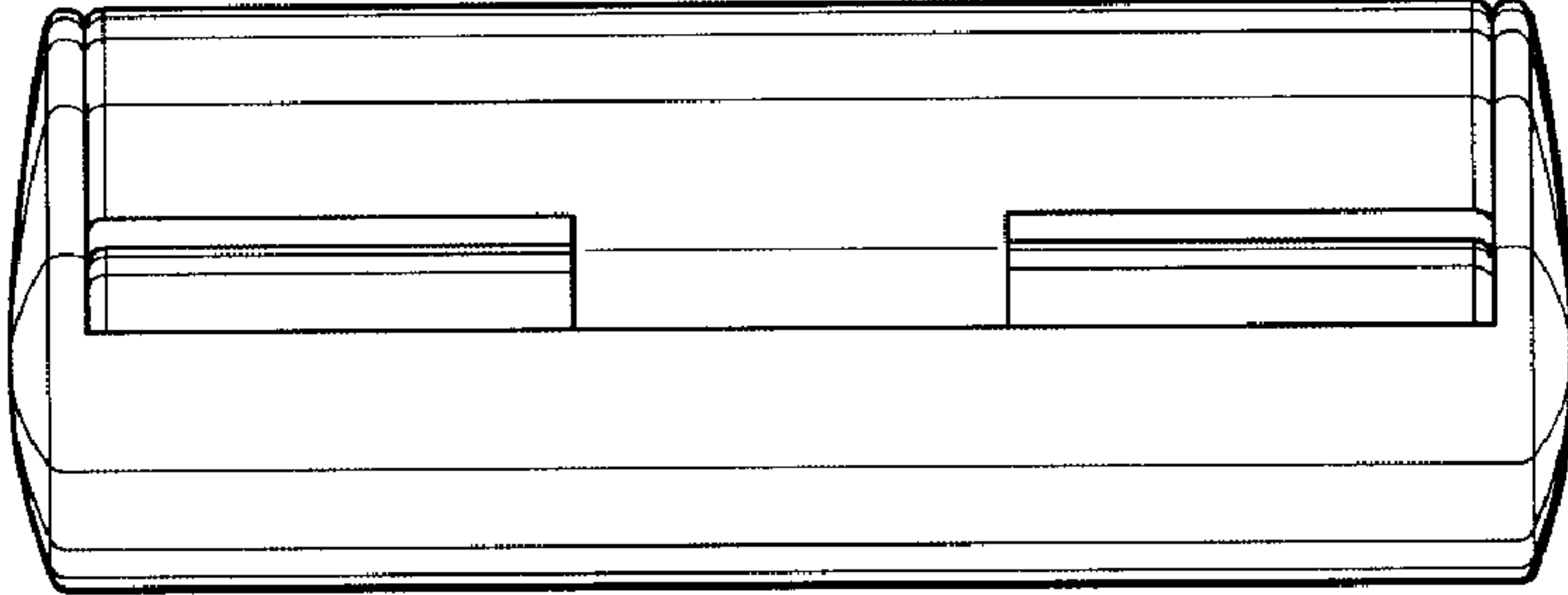


FIG. 6

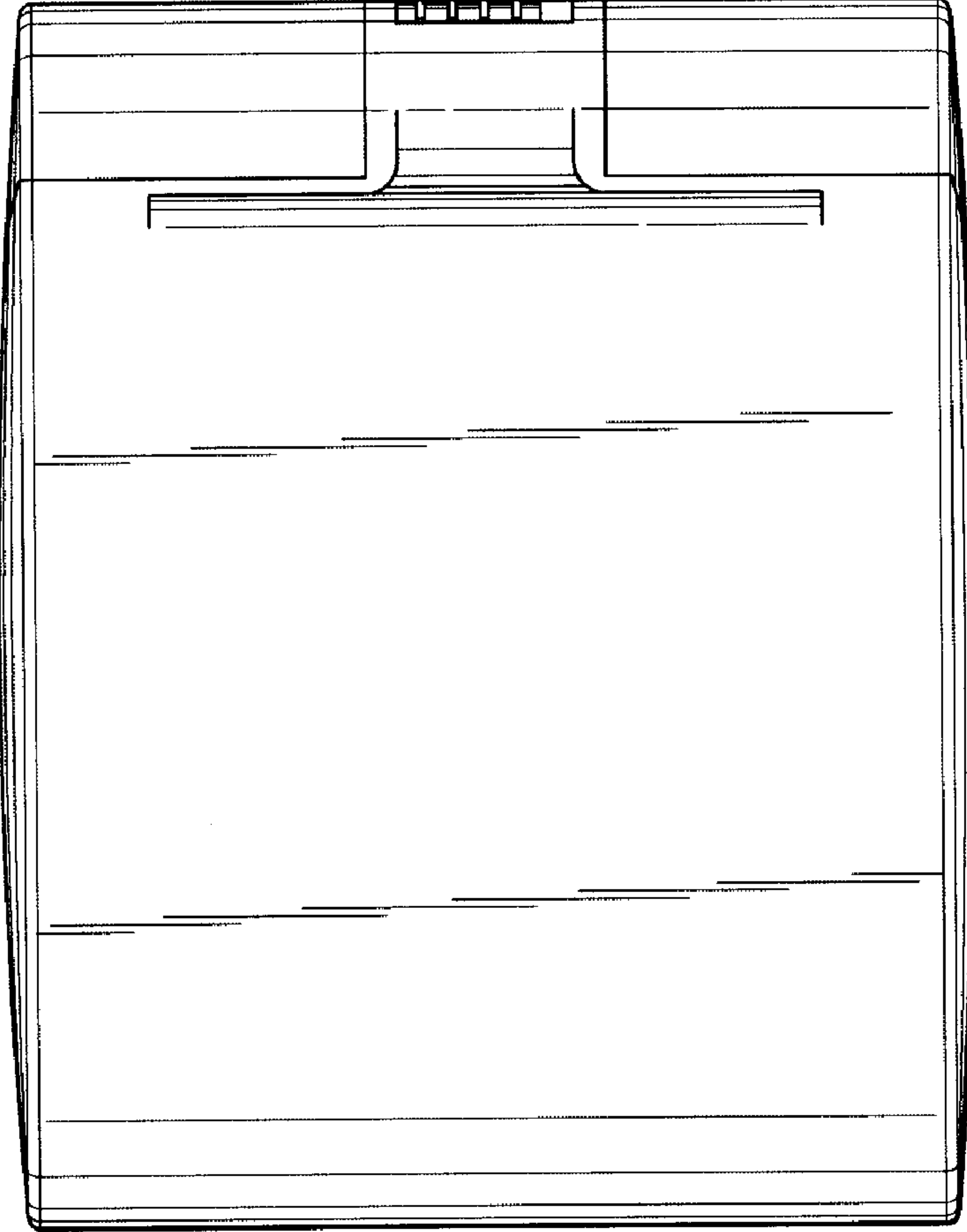


FIG. 7

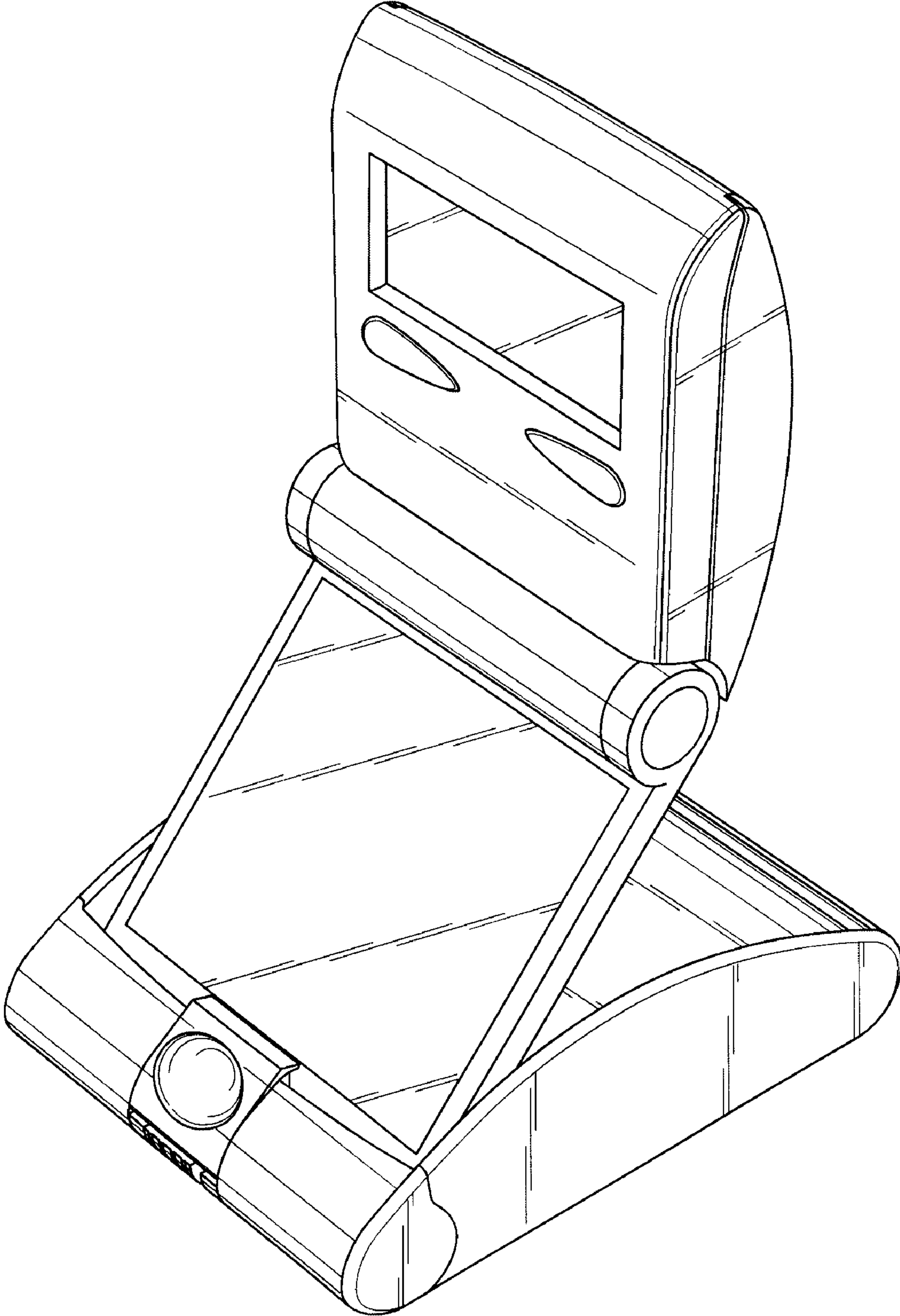


FIG. 8