



US00D511685S

(12) **United States Design Patent**
Choi

(10) **Patent No.:** **US D511,685 S**

(45) **Date of Patent:** **** Nov. 22, 2005**

(54) **DISPENSING LID**

6,766,919 B2 * 7/2004 Huang et al. 221/63
6,889,867 B1 * 5/2005 Smith 221/33

(75) **Inventor:** **Carol Choi, Irvine, CA (US)**

OTHER PUBLICATIONS

(73) **Assignee:** **United Exchange Corporation,**
Cerritos, CA (US)

The file history of U.S. Design Patent No. D471,456S.

(**) **Term:** **14 Years**

* cited by examiner

(21) **Appl. No.:** **29/197,876**

Primary Examiner—Robert M. Spear

Assistant Examiner—Susan Bennett Hattan

(22) **Filed:** **Jan. 21, 2004**

(74) *Attorney, Agent, or Firm*—Kathleen L. Choi

(51) **LOC (8) Cl.** **09-07**

(52) **U.S. Cl.** **D9/449**

(58) **Field of Search** D9/454, 449, 447,
D9/446, 442, 440, 435, 434; 222/556; 220/254.3;
215/235; D6/518; 221/63, 306, 33, 36

(57) **CLAIM**

The ornamental design for a dispensing lid, as shown and described herein.

(56) **References Cited**

DESCRIPTION

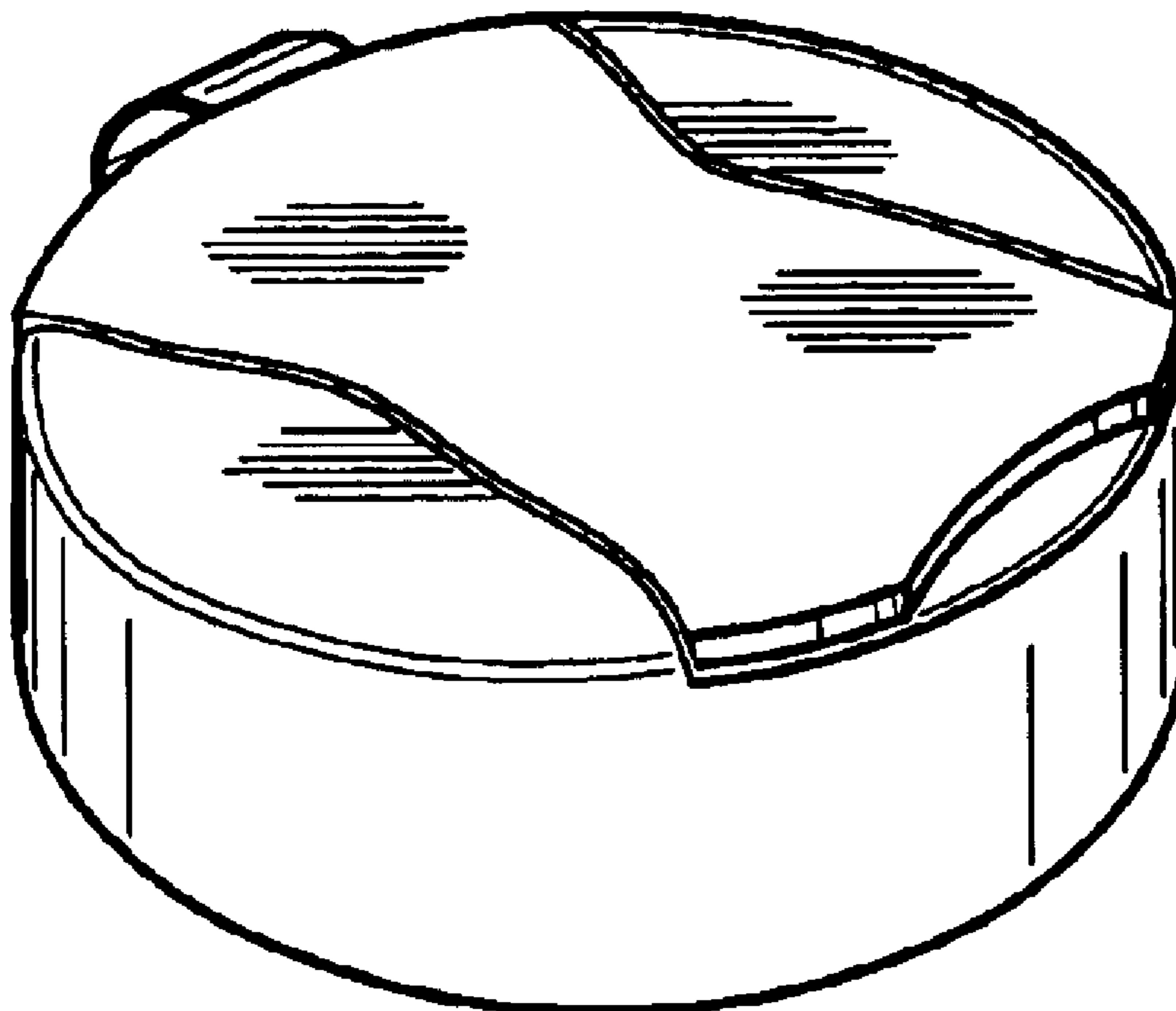
U.S. PATENT DOCUMENTS

4,337,876 A	*	7/1982	Thompson	221/36
D286,750 S	*	11/1986	Hamilton et al.	D9/446
D296,765 S		7/1988	Urion		
D355,121 S	*	2/1995	Kohl	D9/447
5,908,138 A		6/1999	Vlahakis et al.		
D414,637 S	*	10/1999	Amundson et al.	D6/518
D444,063 S		6/2001	Buck et al.		
D471,456 S		3/2003	Young et al.		
6,554,156 B1	*	4/2003	Chong	221/63

FIG. 1 is a perspective view of a dispensing lid showing my new design in a closed position;
FIG. 2 is a perspective view thereof, in an open position;
FIG. 3 is a top plan view thereof;
FIG. 4 is a front elevation view thereof;
FIG. 5 is a rear elevation view thereof; and,
FIG. 6 is a right elevation view thereof, which is a mirror image of a left elevation view thereof.

The broken lines in the following drawings form no part of the claimed design.

1 Claim, 2 Drawing Sheets



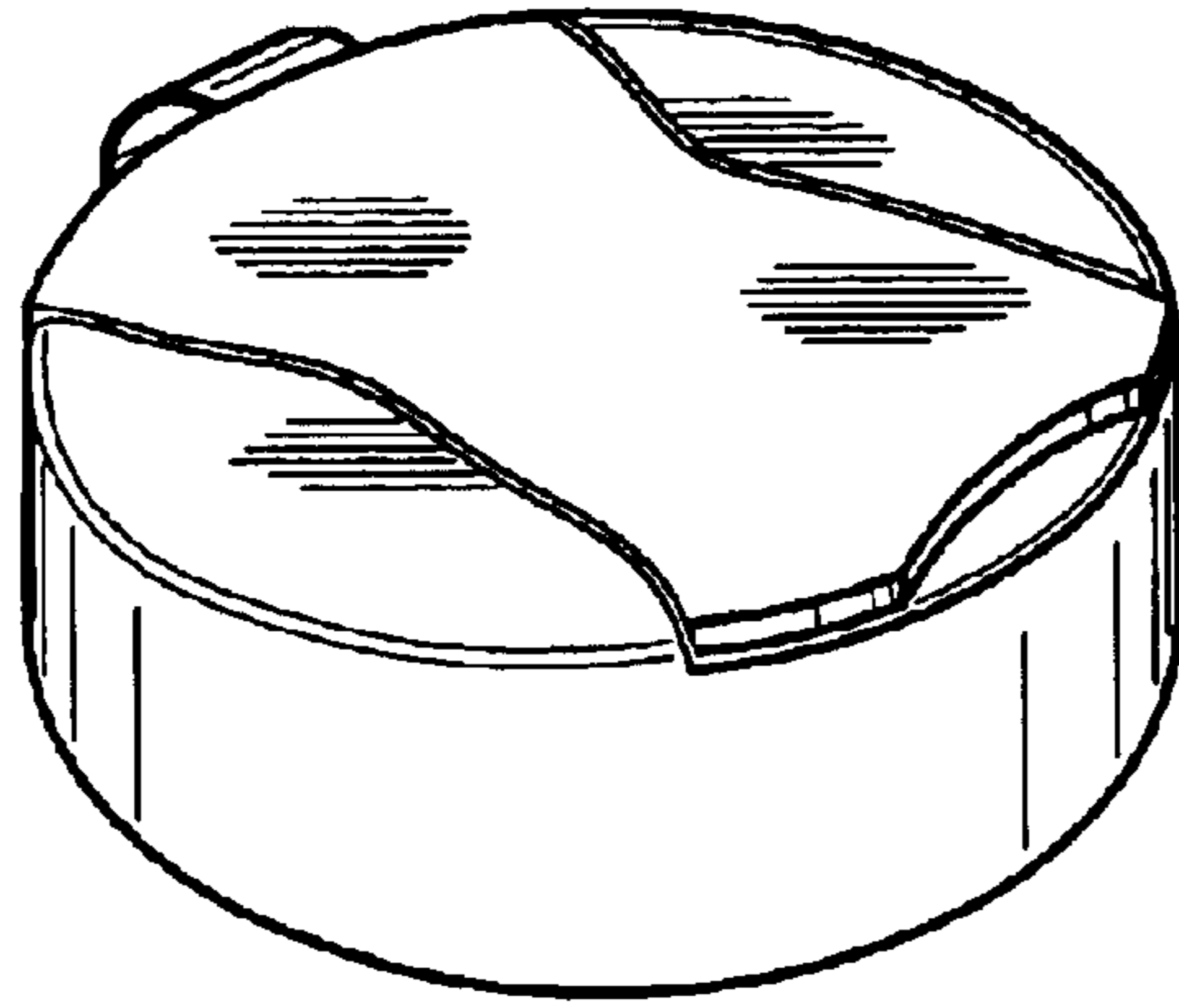


FIG. 1

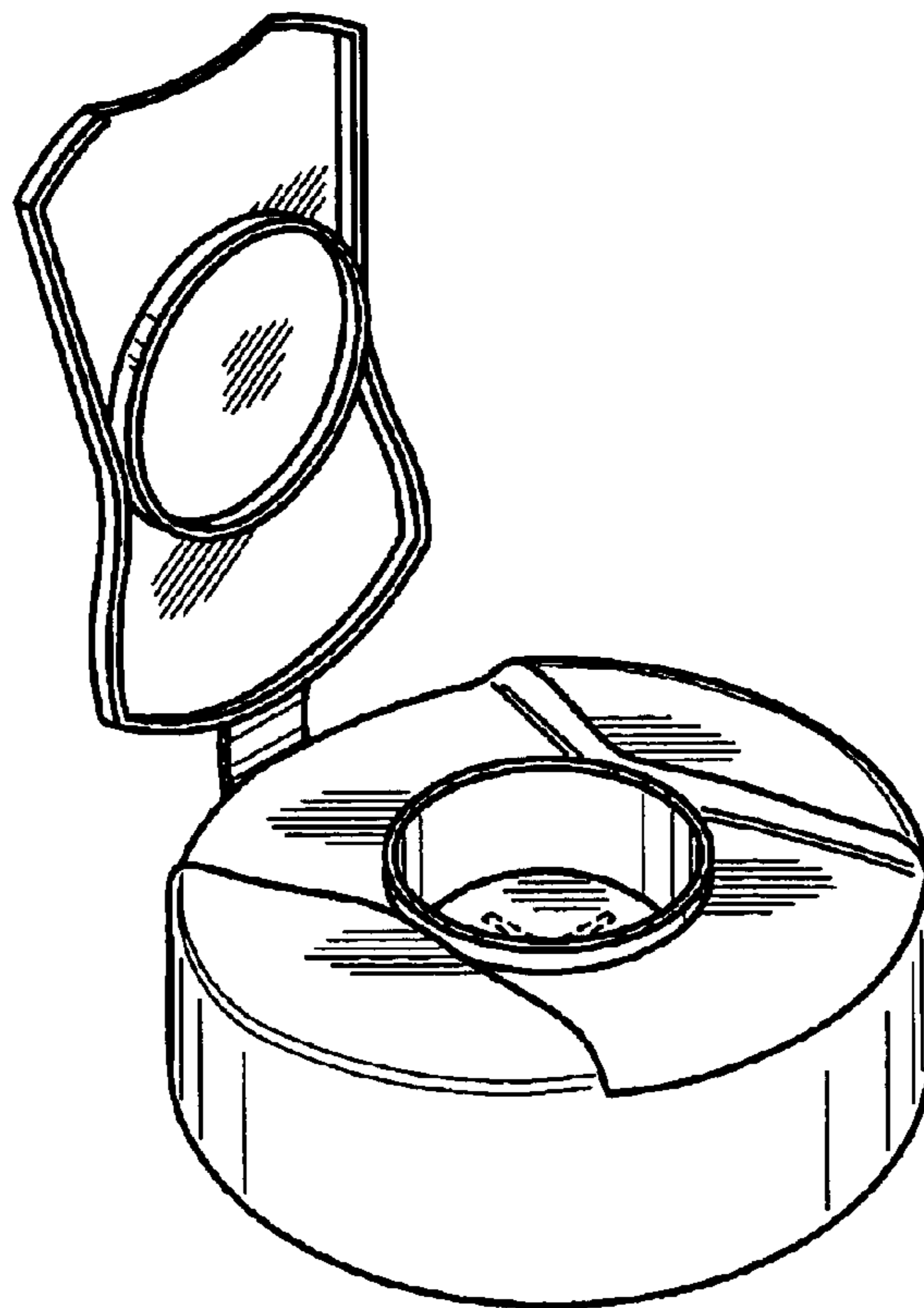


FIG. 2

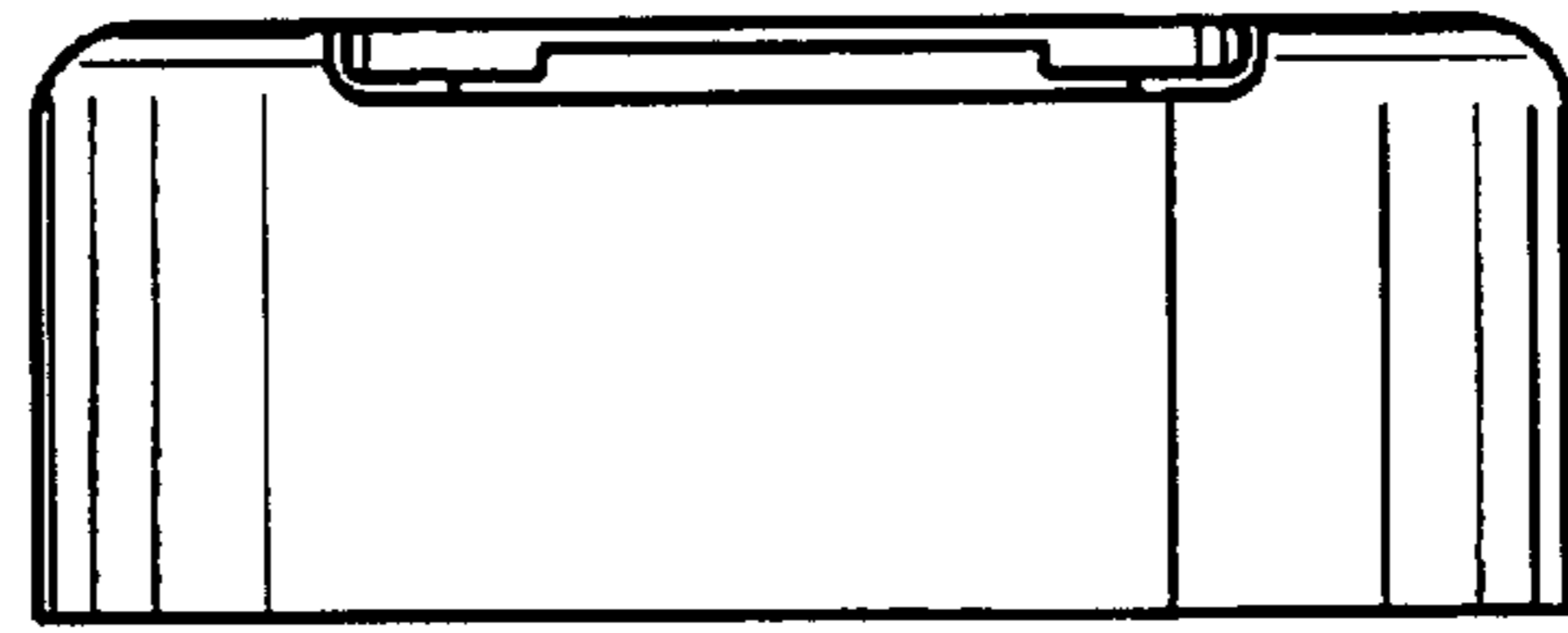


FIG. 4

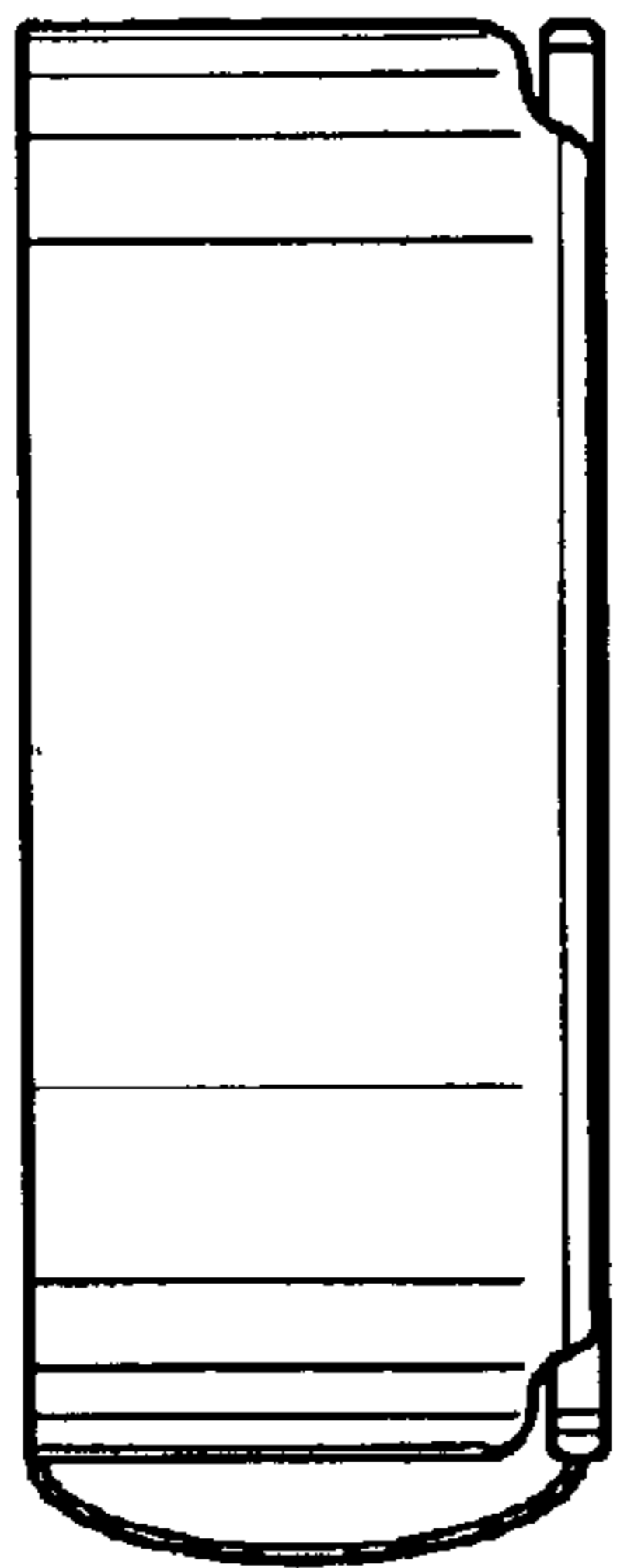


FIG. 6

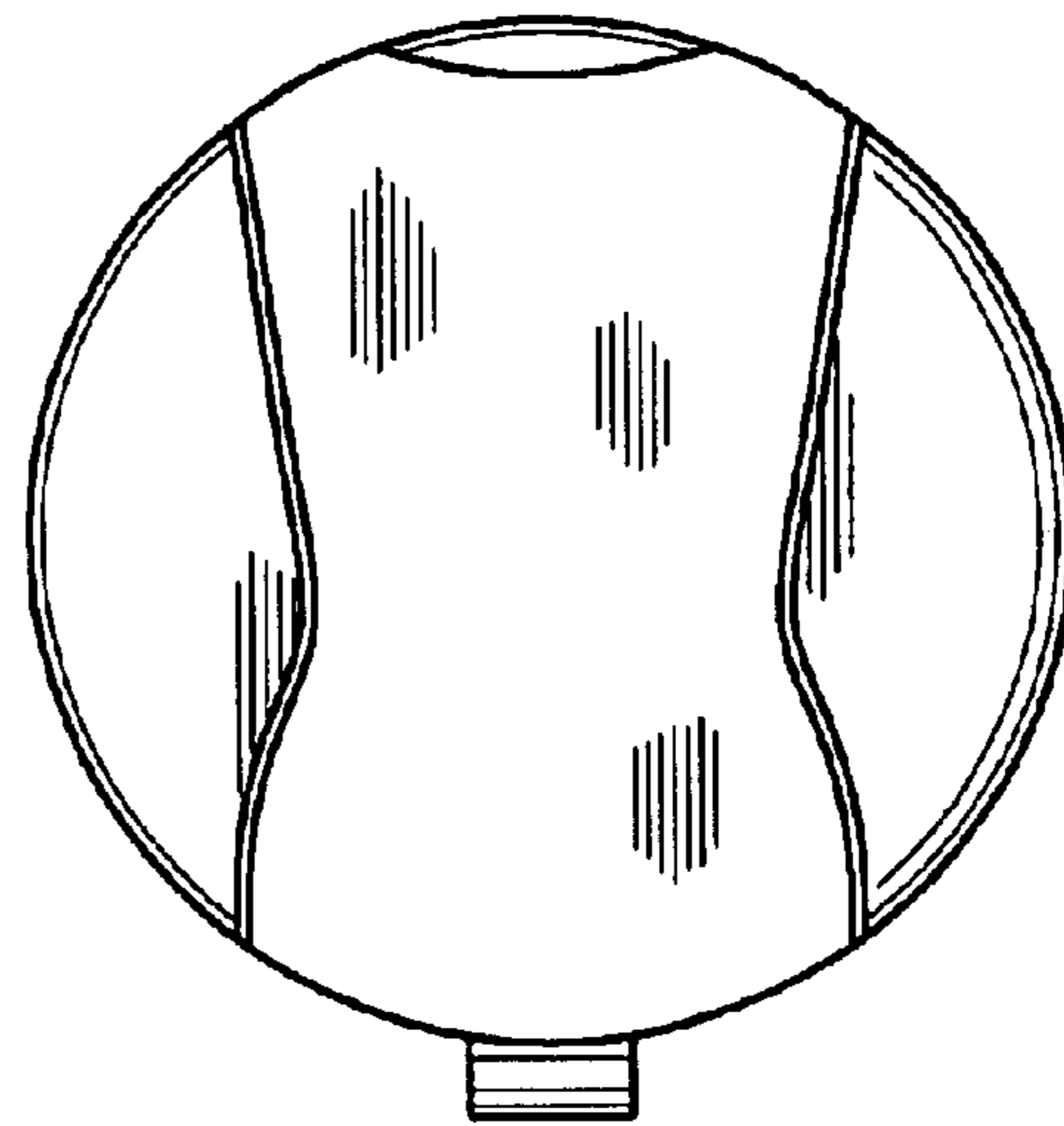


FIG. 3

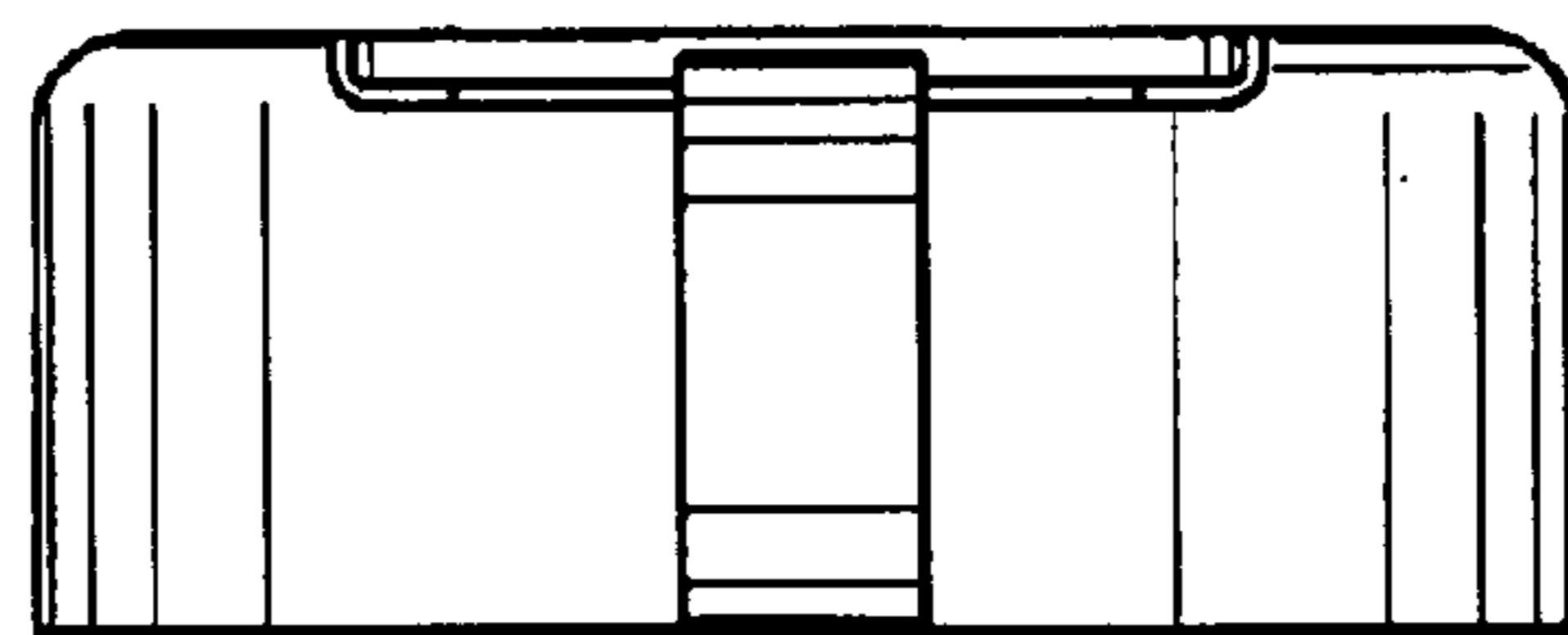


FIG. 5