



US00D511684S

(12) **United States Design Patent**  
**Guyot**

(10) **Patent No.:** **US D511,684 S**

(45) **Date of Patent:** **\*\* Nov. 22, 2005**

(54) **BOTTLE TOP, VALVE, AND HANDLE**

(76) **Inventor:** **Joshua Guyot**, P.O. Box 1566, El Granada, CA (US) 94018

(\*\*) **Term:** **14 Years**

(21) **Appl. No.:** **29/215,110**

(22) **Filed:** **Oct. 13, 2004**

(51) **LOC (8) Cl.** ..... **09-07**

(52) **U.S. Cl.** ..... **D9/443**

(58) **Field of Search** ..... D9/499, 455, 443, D9/434, 435; D8/303, 315; D7/601, 393, 394, 395, 387, 662; D3/318, 307, 327; 220/773, 755, 742, 759, 769; 383/20, 13; 493/226; 215/399, 396, 395; 24/30.5 R; 248/312.1; 294/33

(56) **References Cited**

**U.S. PATENT DOCUMENTS**

- D186,338 S \* 10/1959 Stow ..... D9/434
- D215,748 S \* 10/1969 Wallace ..... D9/434
- 4,660,876 A \* 4/1987 Weldin et al. .... 294/33
- D327,221 S \* 6/1992 Simmons ..... D9/434
- 5,203,471 A \* 4/1993 Widman ..... 220/759

- 5,505,330 A \* 4/1996 Nunes ..... 220/755
- 5,816,631 A \* 10/1998 Kochan ..... D9/443
- 6,729,496 B2 \* 5/2004 Kenny ..... 220/742

\* cited by examiner

*Primary Examiner*—Robert M. Spear  
*Assistant Examiner*—Susan Bennett Hattan  
(74) *Attorney, Agent, or Firm*—Johnson & Stainbrook LLP; Craig M. Stainbrook; Larry D. Johnson

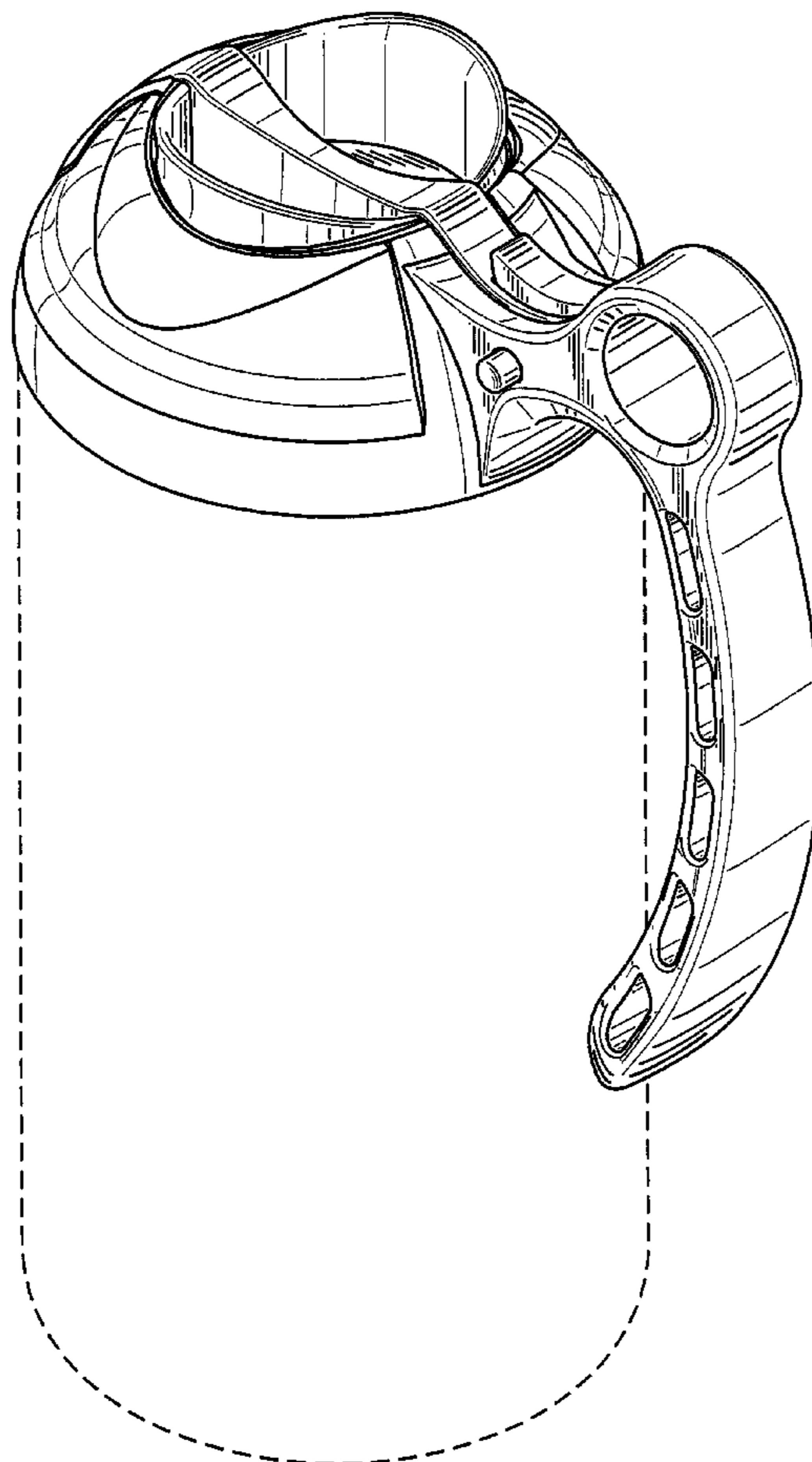
(57) **CLAIM**

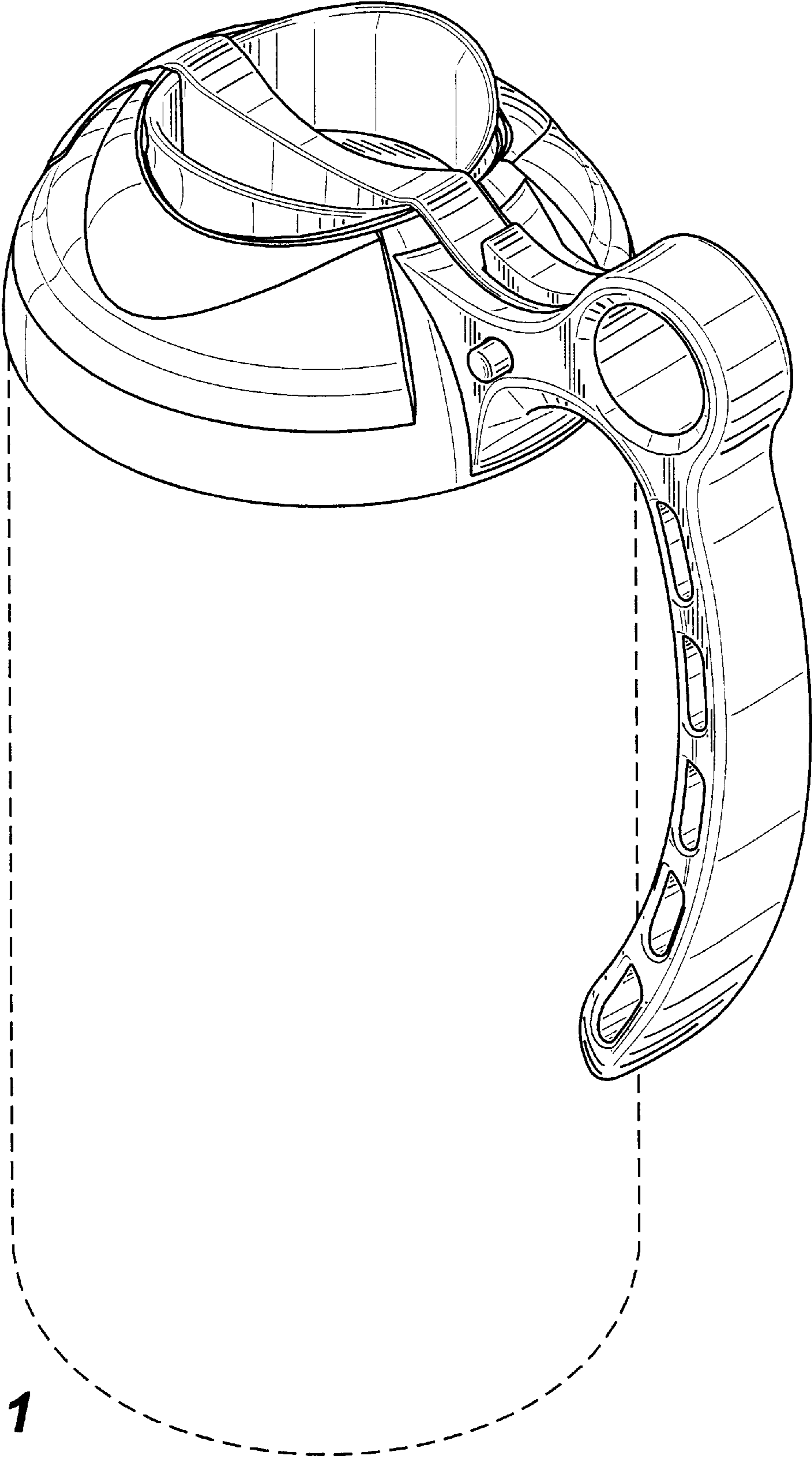
The ornamental design for a bottle top, valve, and handle, as shown and described.

**DESCRIPTION**

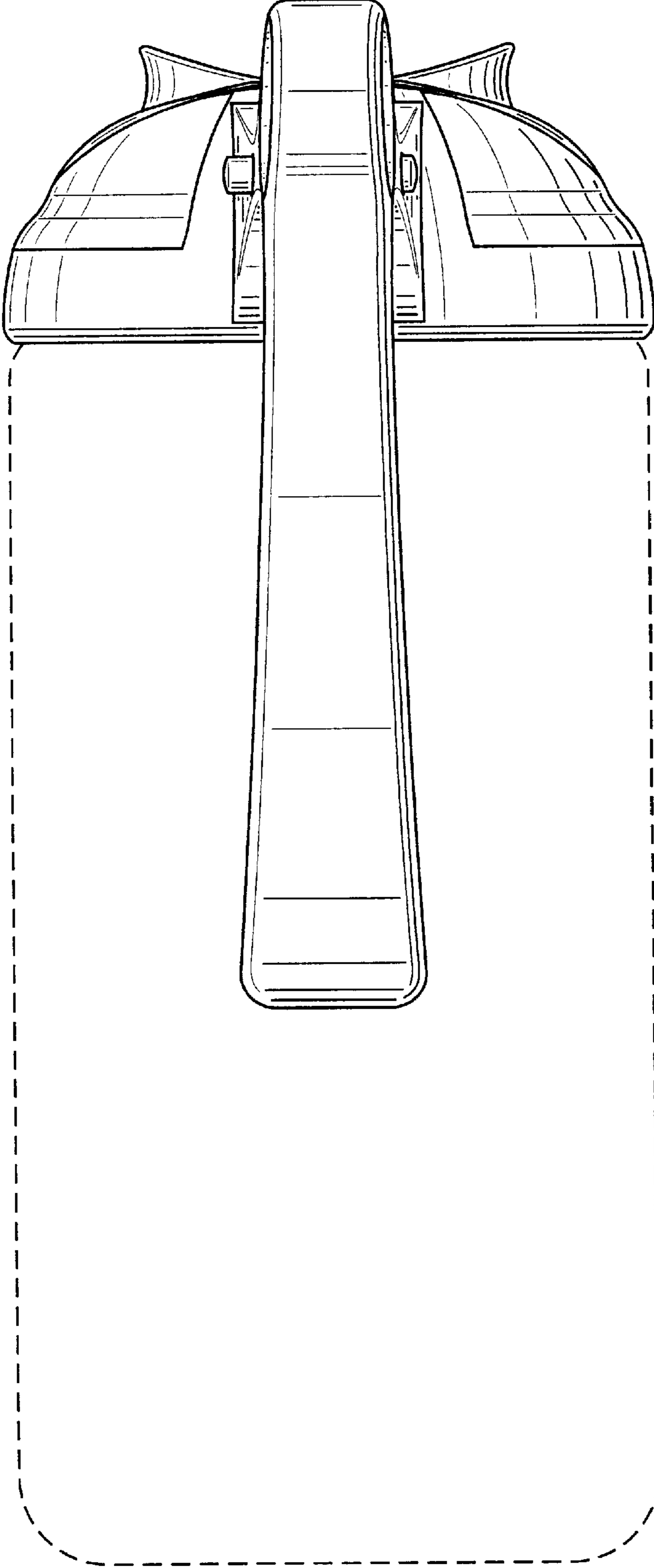
FIG. 1 is an upper left front perspective view; FIG. 2 is a front elevational view; FIG. 3 is a right side elevational view, the left is a mirror image thereof; FIG. 4 is a rear elevational view; FIG. 5 is a top view; and, FIG. 6 is a bottom plan view. The broken lines in the drawings are for illustrative purposes only and form no part of the claimed design.

**1 Claim, 5 Drawing Sheets**

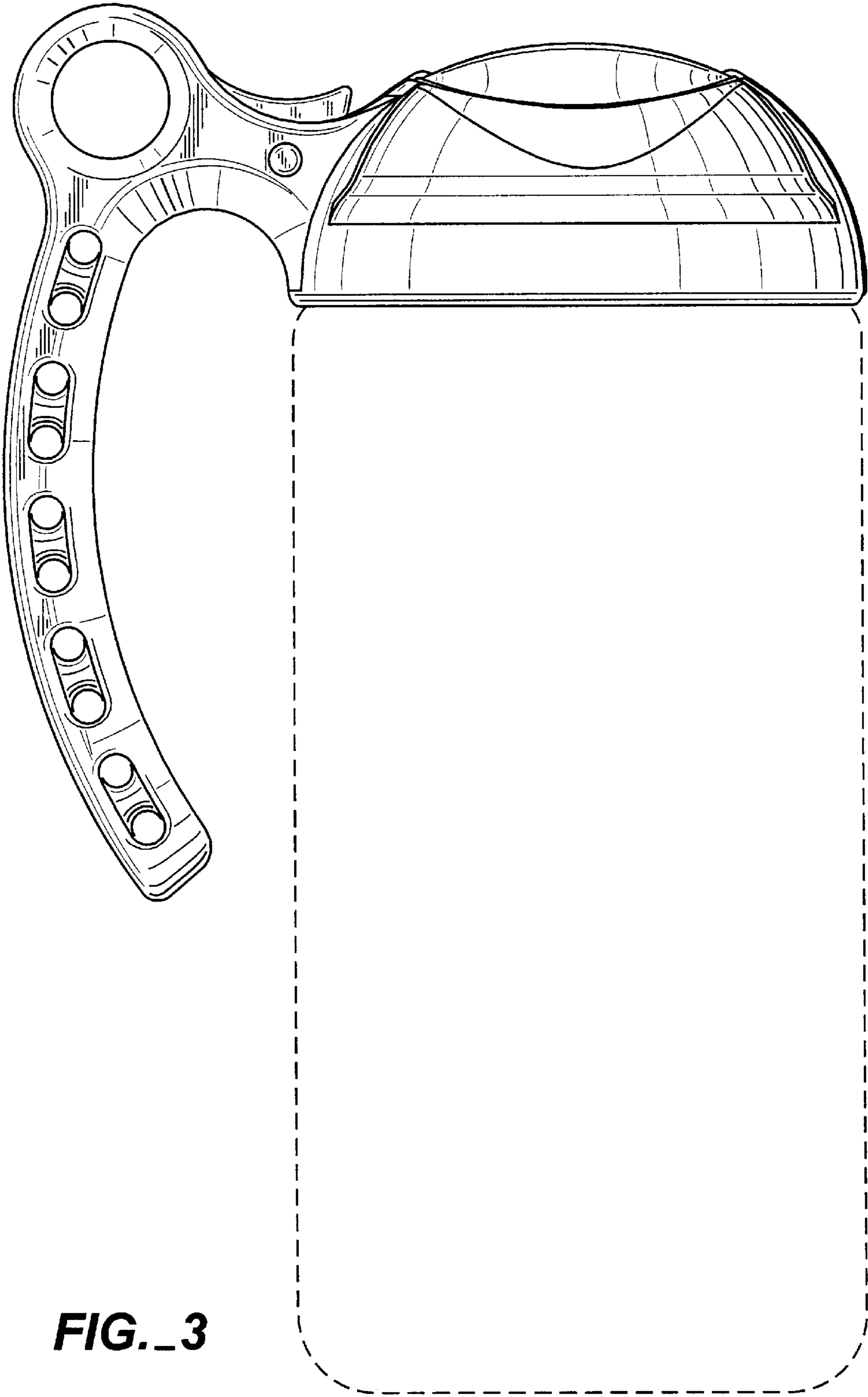




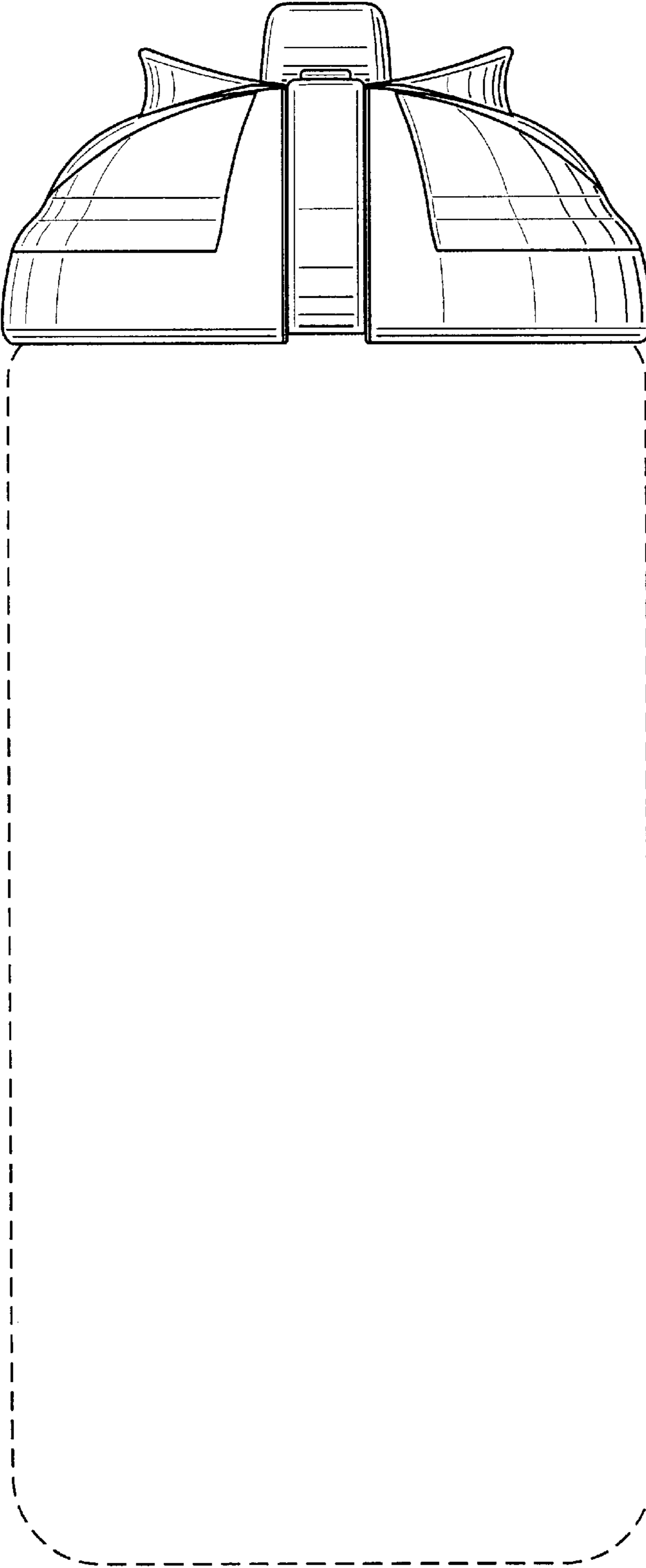
**FIG. 1**



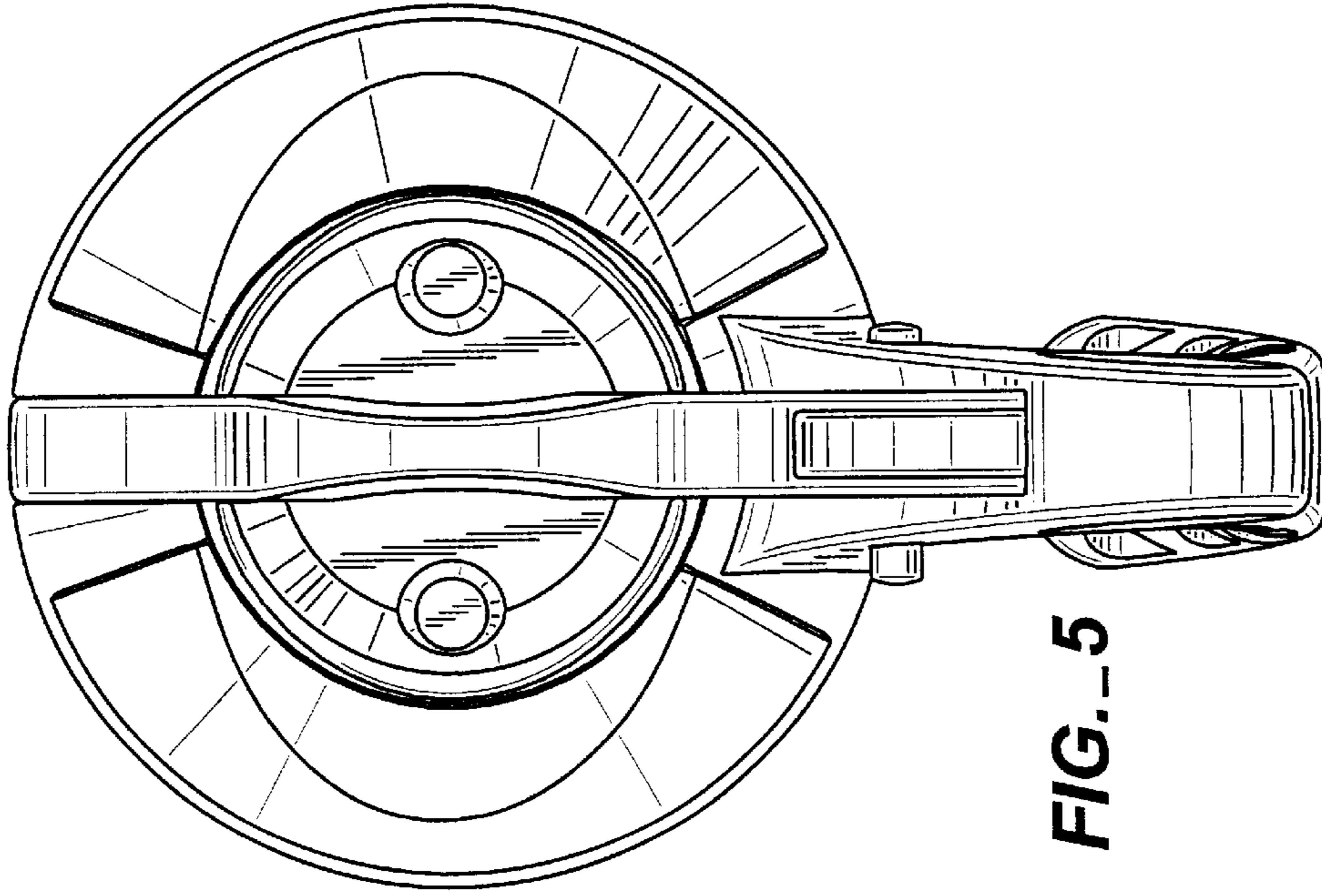
**FIG. 2**



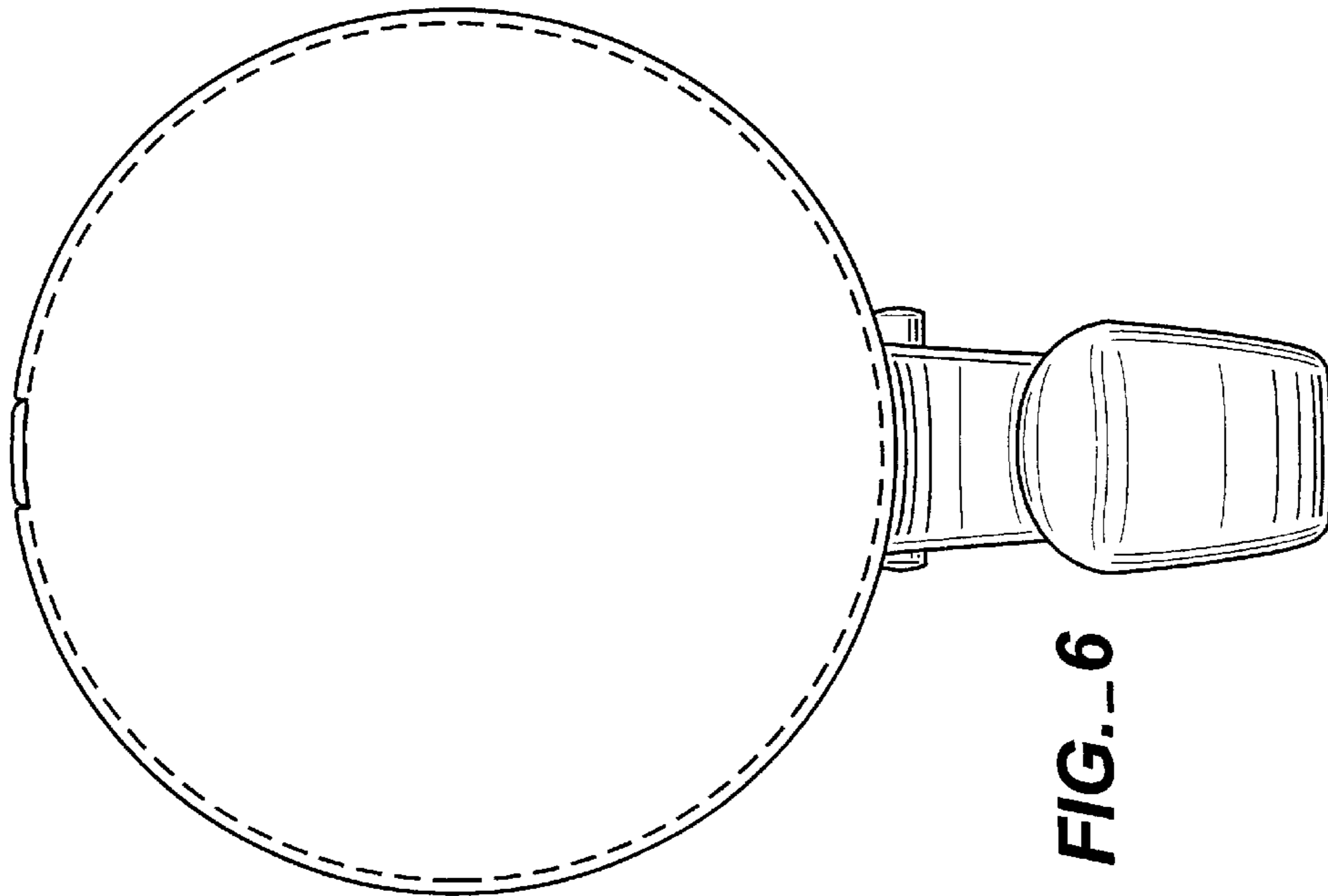
**FIG. 3**



**FIG. 4**



**FIG. 5**



**FIG. 6**