



US00D511682S

(12) **United States Design Patent** (10) **Patent No.: US D511,682 S**  
**Doucette** (45) **Date of Patent: \*\* \*Nov. 22, 2005**

(54) **TWIN PACKAGE FOR FOOD PRODUCTS**

(75) Inventor: **Daniel Eugene Doucette**, DeForest, WI (US)

(73) Assignee: **Kraft Foods Holdings, Inc.**, Northfield, IL (US)

(\*) Notice: This patent is subject to a terminal disclaimer.

(\*\*) Term: **14 Years**

(21) Appl. No.: **29/122,029**

(22) Filed: **Apr. 18, 2000**

(51) **LOC (8) Cl.** ..... **09-03**

(52) **U.S. Cl.** ..... **D9/425**

(58) **Field of Search** ..... D9/423-426, 432, D9/418, 715; 206/508, 541, 525.1, 557; 220/556, 241, 242; 229/406, 407, 5.8, 902-906, 938, 915; D7/629; 426/106, 128, 129, 138

(56) **References Cited**

**U.S. PATENT DOCUMENTS**

3,468,468 A	9/1969	Foote	
3,715,218 A	2/1973	Feely	
3,883,000 A	5/1975	Gibbs	
4,013,798 A *	3/1977	Goltsos	426/107
4,046,256 A	9/1977	Congleton	
D305,204 S	12/1989	Reifein et al.	
D305,205 S	12/1989	Grindrod et al.	
4,935,252 A *	6/1990	Huang et al.	426/107
5,119,940 A *	6/1992	Grindrod	426/120
5,123,527 A	6/1992	Hustad	
5,167,973 A	12/1992	Snyder	
D335,442 S *	5/1993	Detert et al.	D9/418

D336,241 S *	6/1993	Detert et al.	D9/418
5,381,901 A	1/1995	Hundley	
D381,264 S *	7/1997	Lippincott	D9/418
5,747,084 A *	5/1998	Cochran et al.	426/120
5,900,264 A *	5/1999	Gics	426/107
5,922,376 A	7/1999	Privert	
6,048,558 A	4/2000	Feldmeier et al.	
6,092,664 A	7/2000	Bartosek	
D432,414 S *	10/2000	Simpson et al.	D9/418
6,152,302 A	11/2000	Miller et al.	
D443,510 S *	6/2001	Doucette	D9/425

**OTHER PUBLICATIONS**

U.S. Appl. No. 09/551,423.

U.S. Appl. No. 09/551,489.

\* cited by examiner

*Primary Examiner*—Mitchell Siegel

*Assistant Examiner*—Mark A. Goodwin

(74) *Attorney, Agent, or Firm*—Fitch, Even, Tabin & Flannery

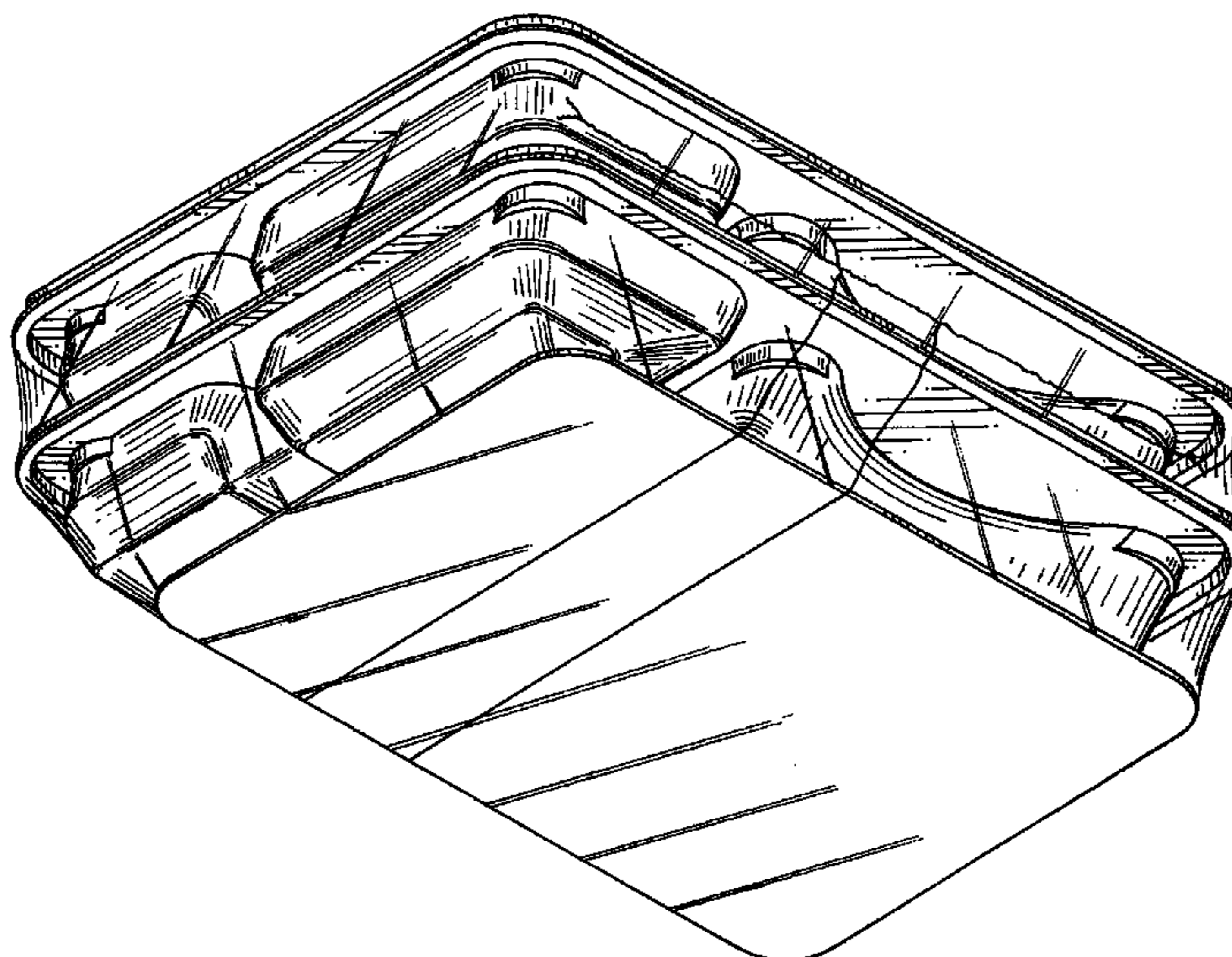
(57) **CLAIM**

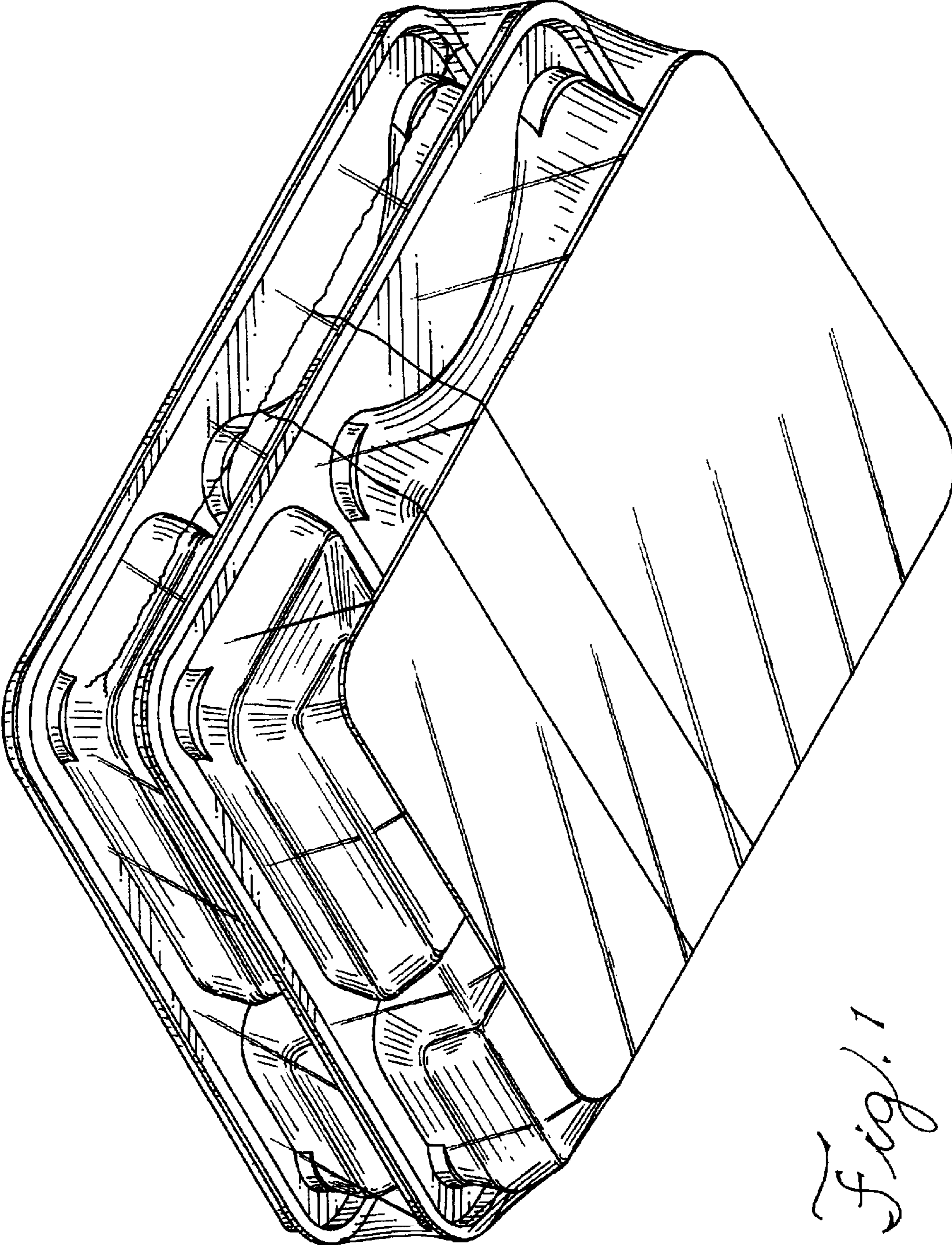
The ornamental design for a twin package for food products, as shown and described.

**DESCRIPTION**

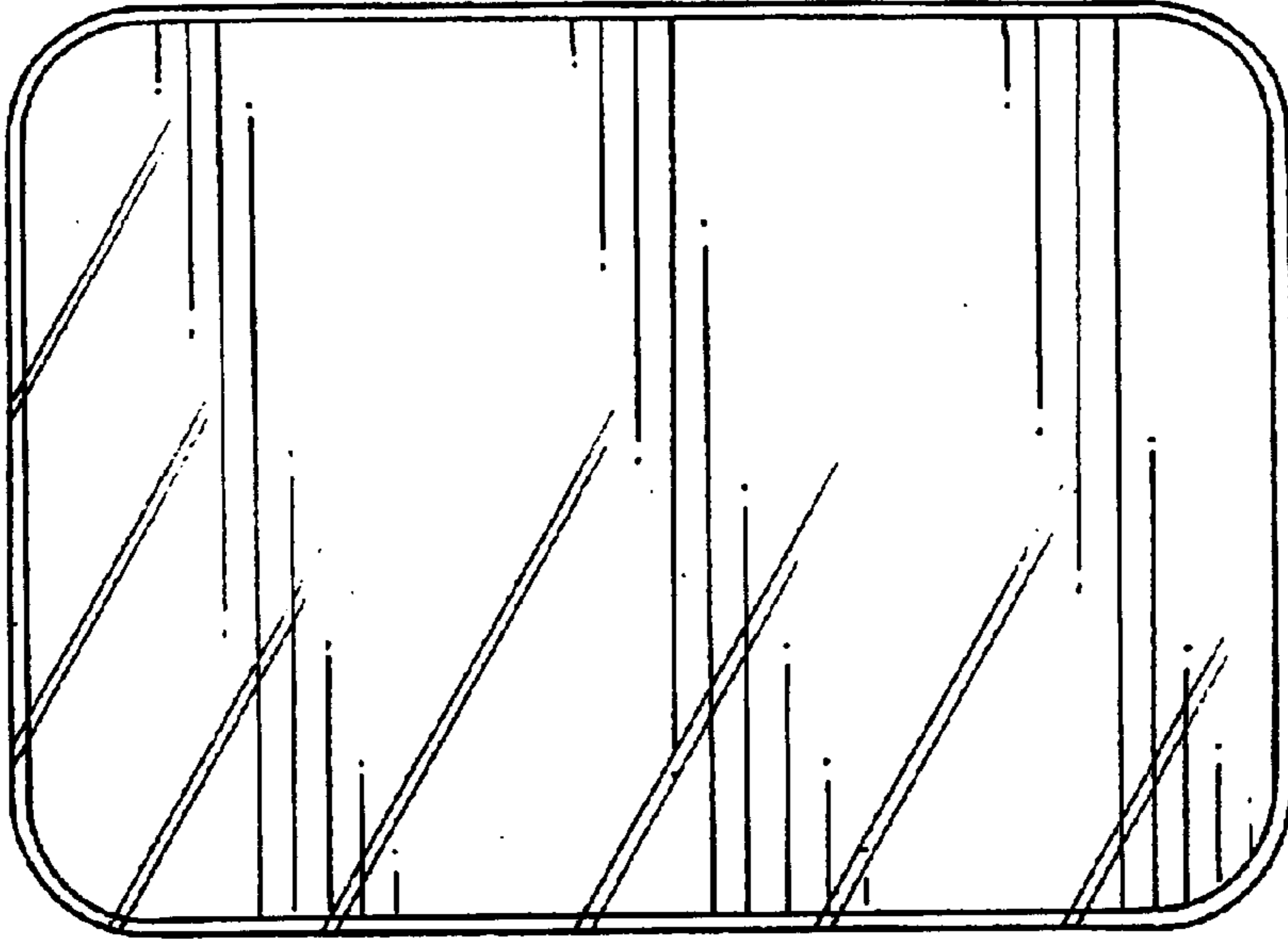
FIG. 1 is a bottom perspective view of a twin package for food products showing my new design; FIG. 2 is a top plan view thereof; FIG. 3 is a bottom plan view thereof; FIG. 4 is a left-side elevational view thereof; FIG. 5 is a back elevational view thereof; FIG. 6 is a right-side elevational view thereof; and, FIG. 7 is a front elevational view thereof.

**1 Claim, 3 Drawing Sheets**

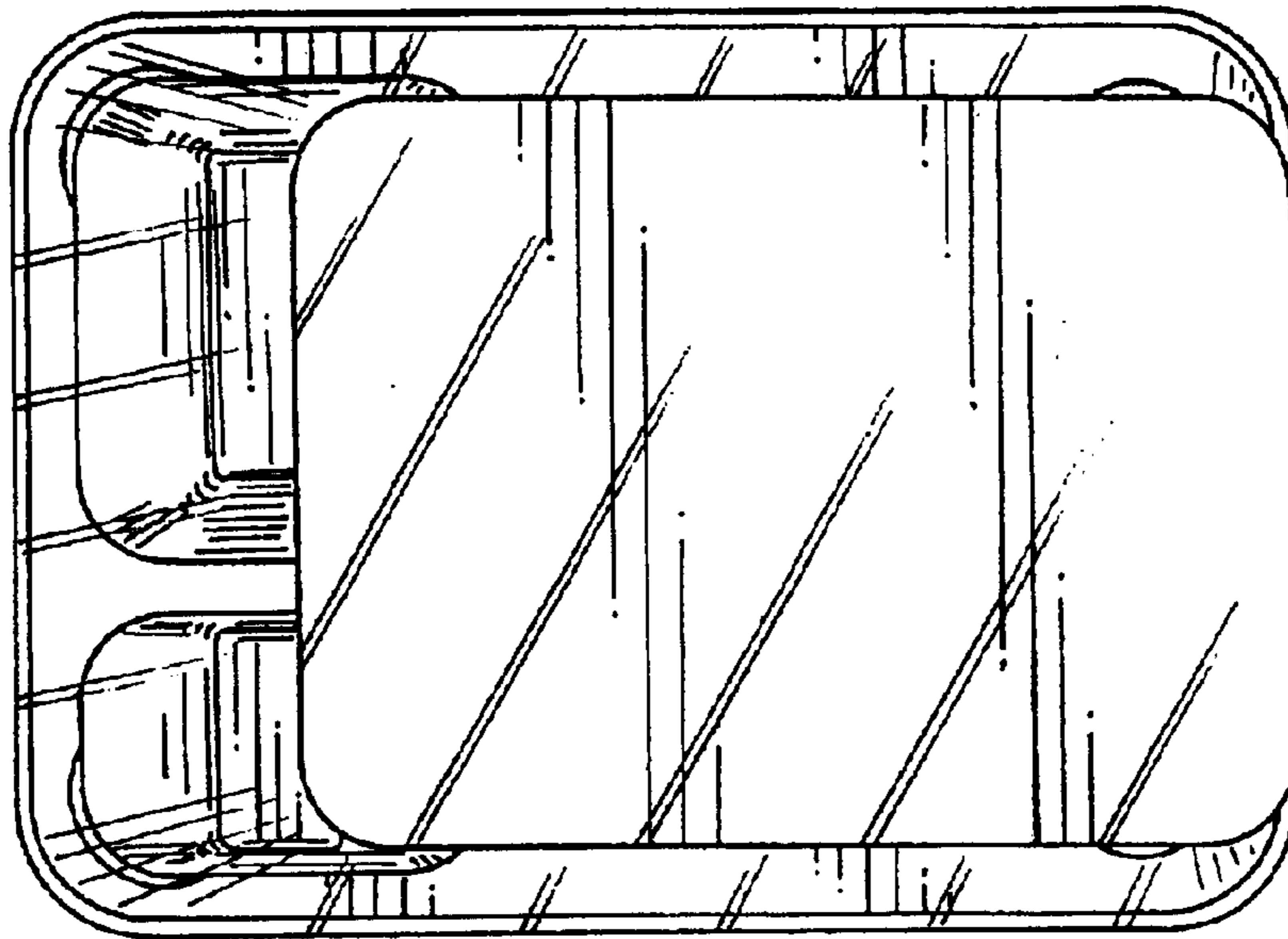




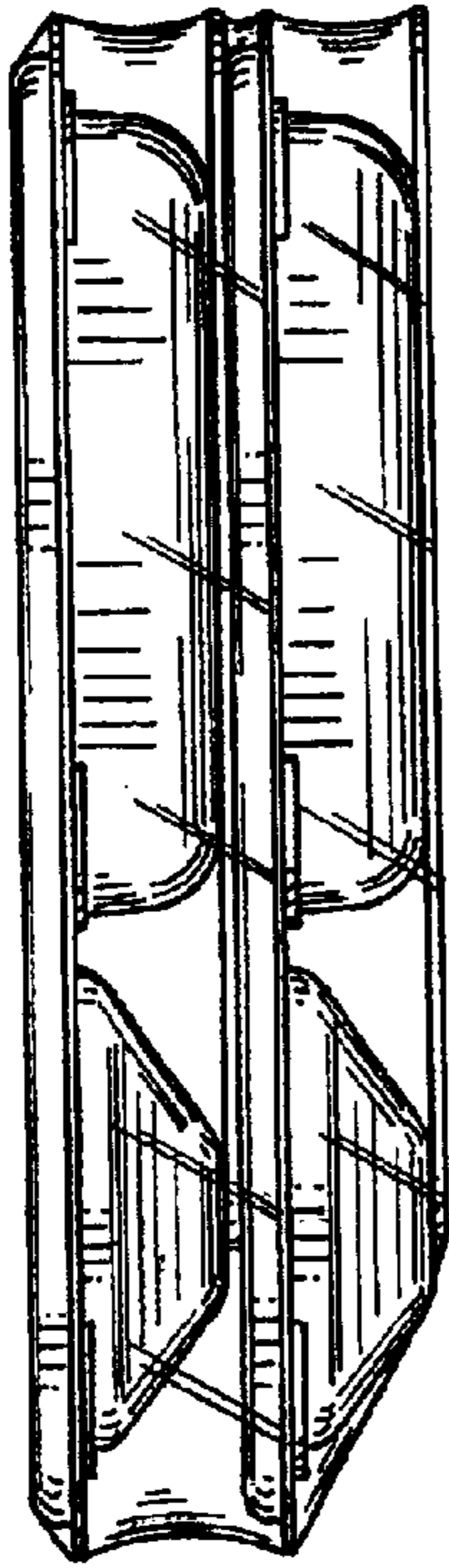
*Fig. 1*



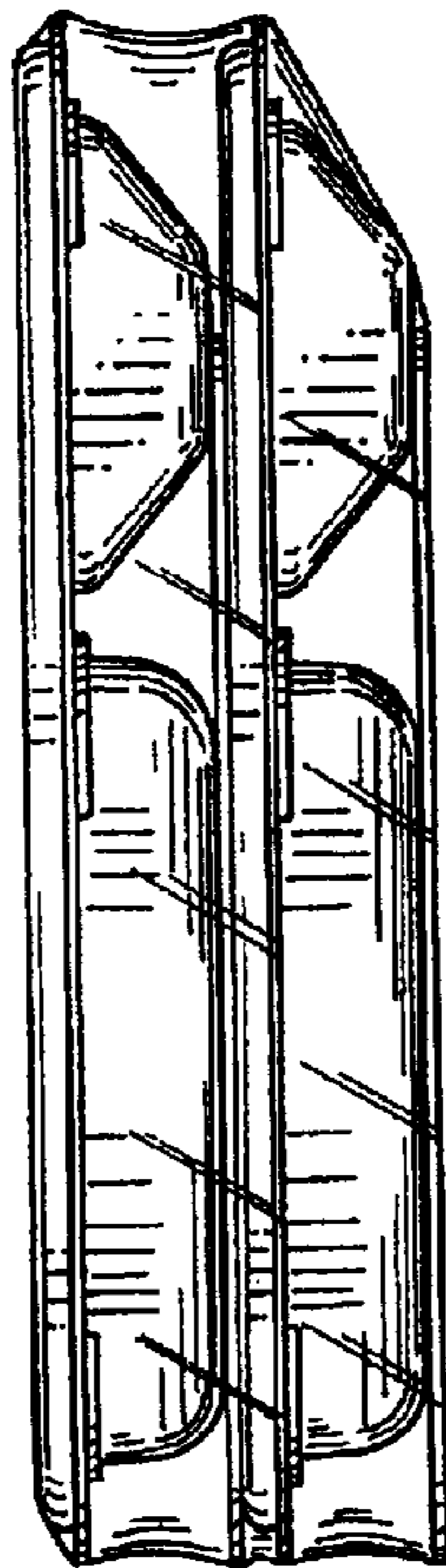
*Fig. 2*



*Fig. 3*

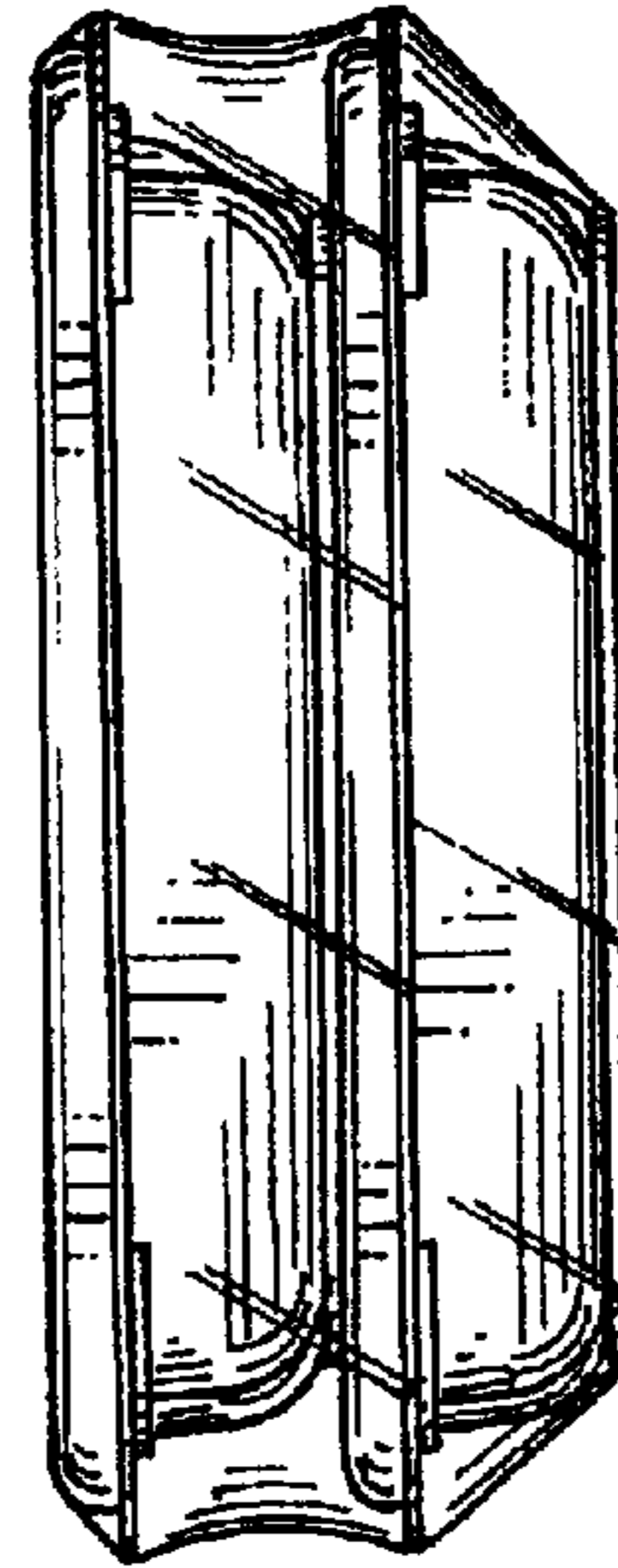


*Fig. 4*



*Fig. 6*

*Fig. 5*



*Fig. 7*