



US00D511681S

(12) **United States Design Patent**  
**Cogley et al.**

(10) **Patent No.: US D511,681 S**  
(45) **Date of Patent: \*\* Nov. 22, 2005**

- (54) **FOOD PACKAGING CARTON WITH SUSCEPTOR TRAY**
- (75) Inventors: **Paul Andrew Cogley**, Chicago, IL (US); **Derek Joseph Romeo**, Evanston, IL (US); **Neil Edward Darin**, Grayslake, IL (US)
- (73) Assignee: **Kraft Foods Holdings, Inc.**, Northfield, IL (US)

5,247,149 A	9/1993	Peleg	
5,260,070 A	11/1993	Peleg	
5,416,304 A	5/1995	De La Cruz et al.	
5,445,286 A *	8/1995	Guimarin .....	229/117.34
5,542,540 A *	8/1996	Knapp et al. ....	206/525
5,543,606 A	8/1996	Gics	
5,556,026 A *	9/1996	Blankitny .....	229/123.1
5,743,402 A *	4/1998	Gics .....	206/459.5
D406,759 S *	3/1999	Lawrence .....	D9/430
6,359,272 B1	3/2002	Sadek et al.	
D462,264 S *	9/2002	Barr et al. ....	D9/416

(\*\*) Term: **14 Years**

\* cited by examiner

(21) Appl. No.: **29/200,574**

*Primary Examiner*—Prabhakar Deshmukh

(22) Filed: **Mar. 1, 2004**

(74) *Attorney, Agent, or Firm*—Fitch, Even, Tabin & Flannery

(51) **LOC (8) Cl.** ..... **09-07**

(57) **CLAIM**

(52) **U.S. Cl.** ..... **D9/416; D9/423; D9/432**

The ornamental design for a food packaging carton with susceptor tray, as shown and described.

(58) **Field of Search** ..... D9/420, 423, 416, D9/414, 432; 206/497, 821, 541; 229/123.3, 210, 221, 229, 901–906, 938; 219/730–735, 762; 426/107, 234, 114–118, 243

**DESCRIPTION**

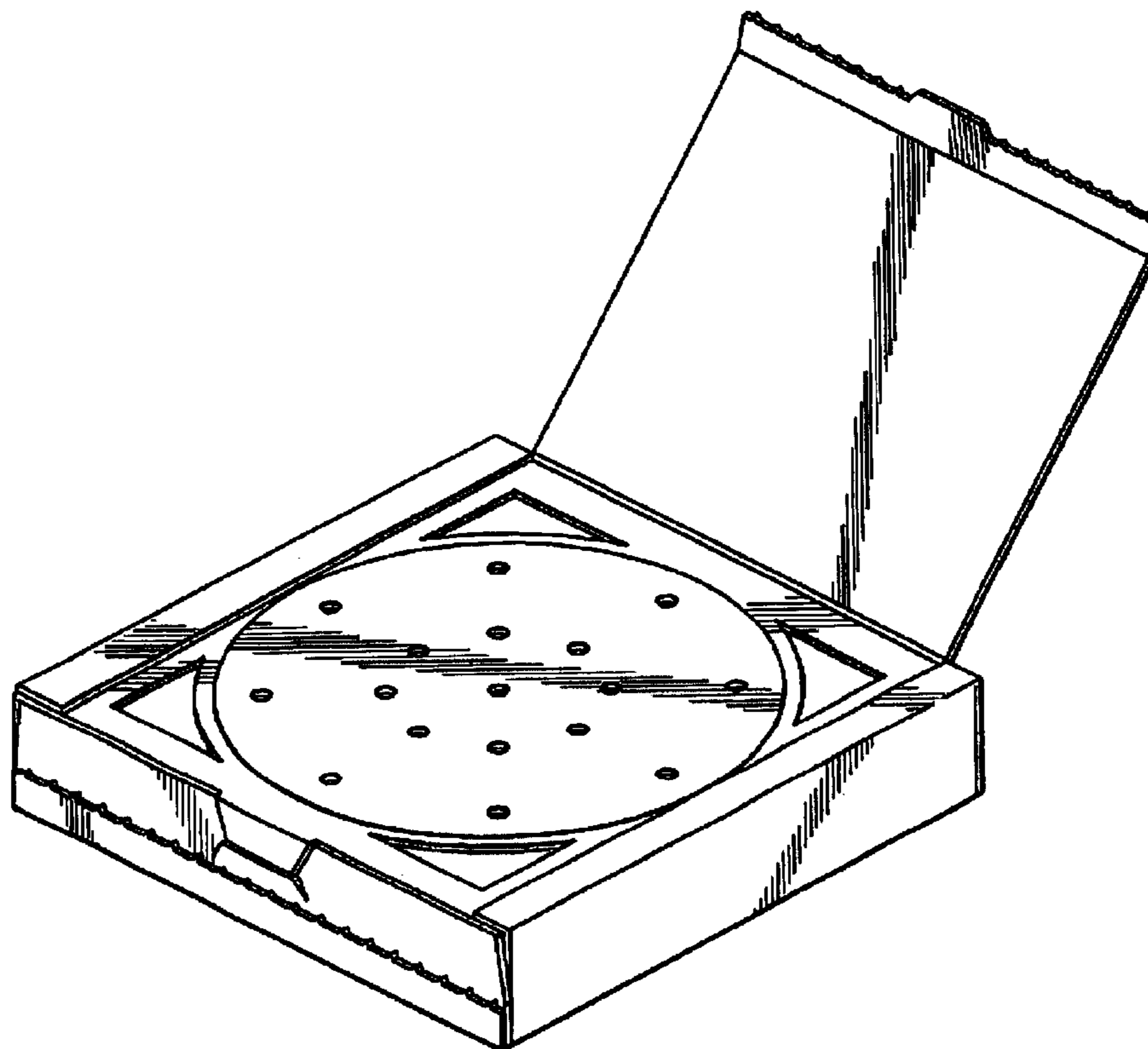
(56) **References Cited**

FIGS. 1 and 2 are perspective views of a carton showing the new design;  
FIG. 3 is a top plan view thereof;  
FIG. 4 is a bottom plan view thereof;  
FIGS. 5 and 6 are side elevational views thereof;  
FIG. 7 is a front elevational view thereof; and,  
FIG. 8 is a rear elevational view thereof.

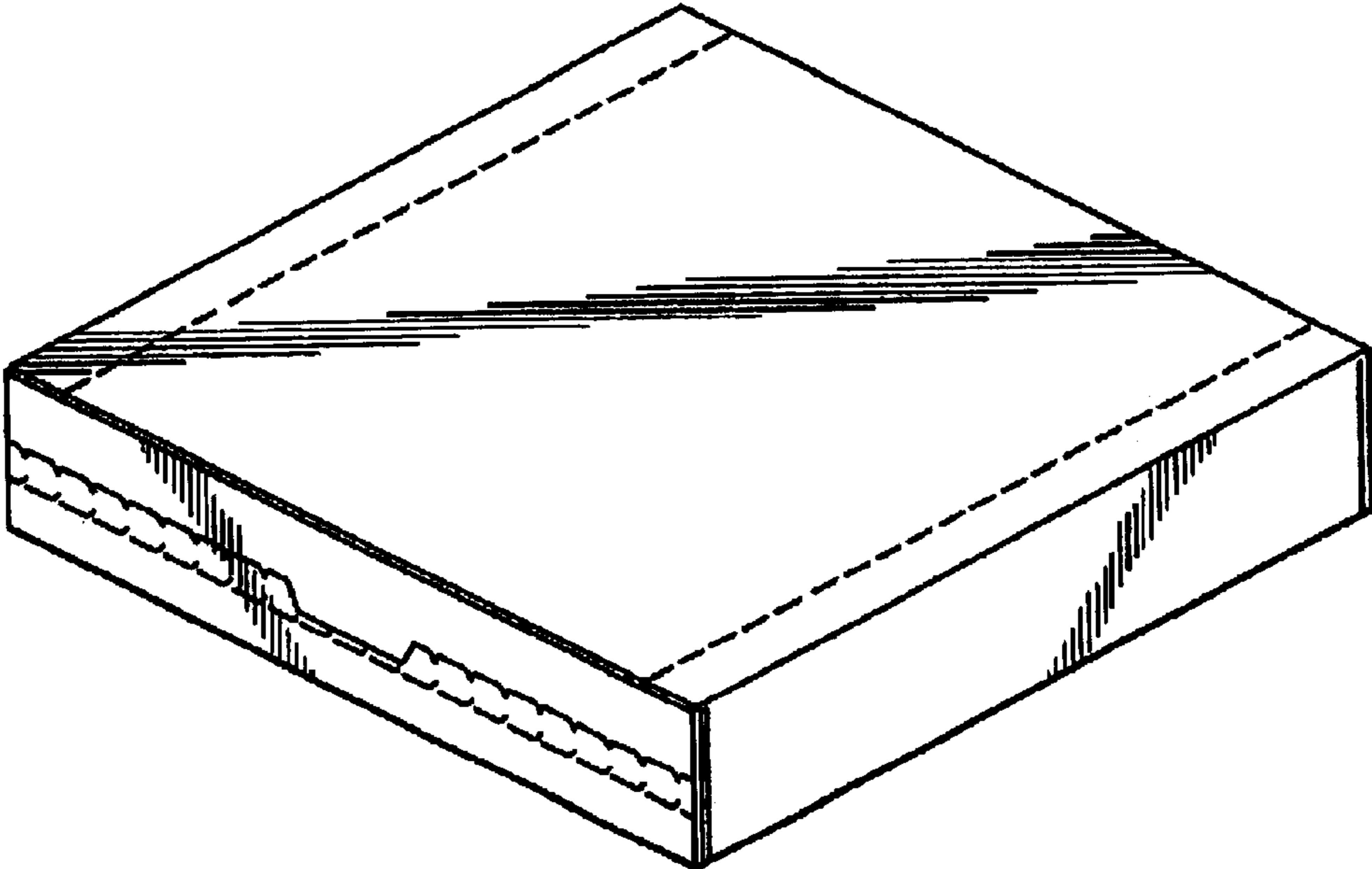
**U.S. PATENT DOCUMENTS**

1,361,882 A *	12/1920	List .....	206/45.25
4,265,393 A *	5/1981	Orchard .....	229/103.3
4,441,626 A *	4/1984	Hall .....	229/154
4,738,365 A *	4/1988	Prater .....	229/123.3
D311,493 S *	10/1990	Boone .....	D9/416

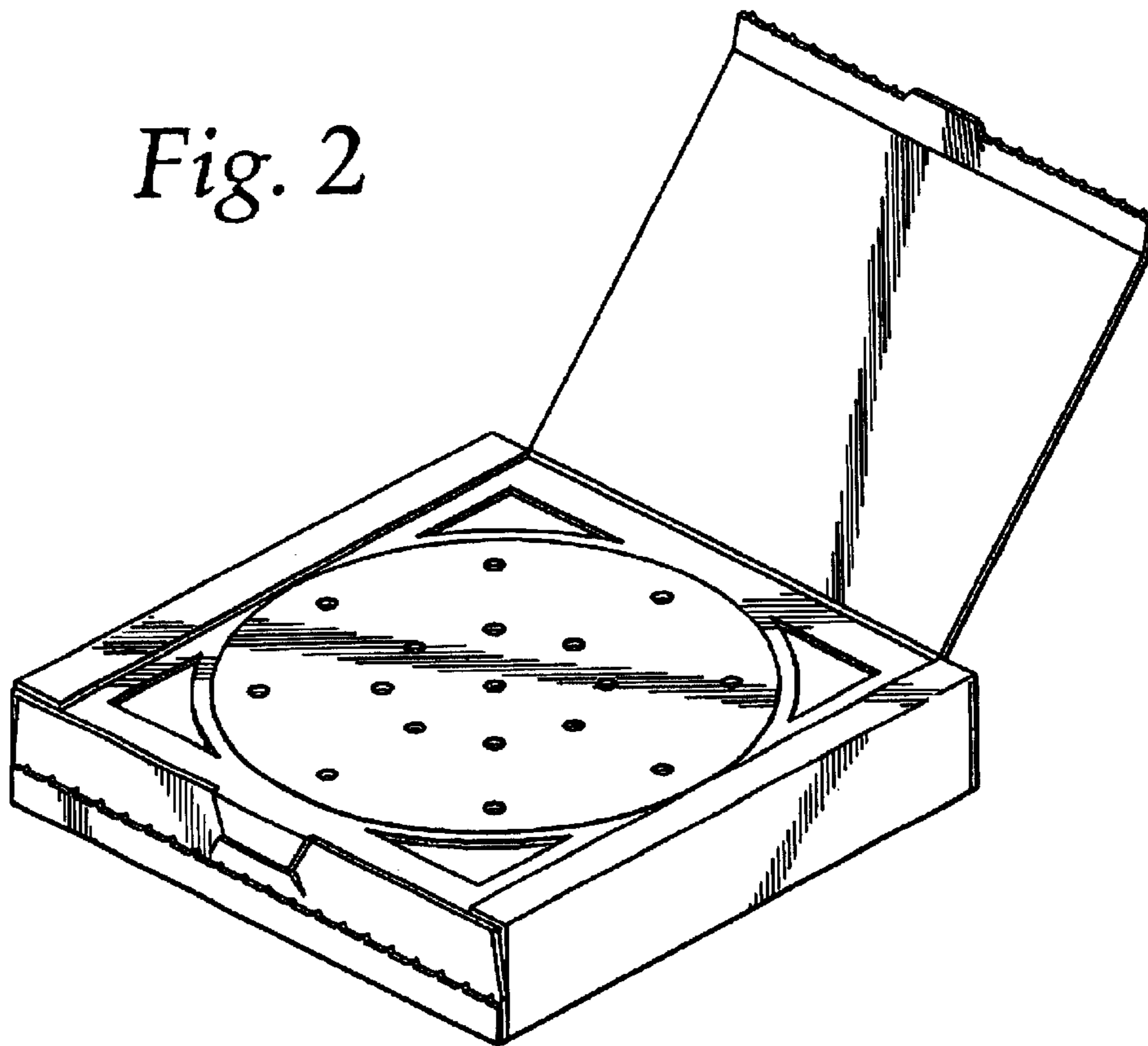
**1 Claim, 5 Drawing Sheets**



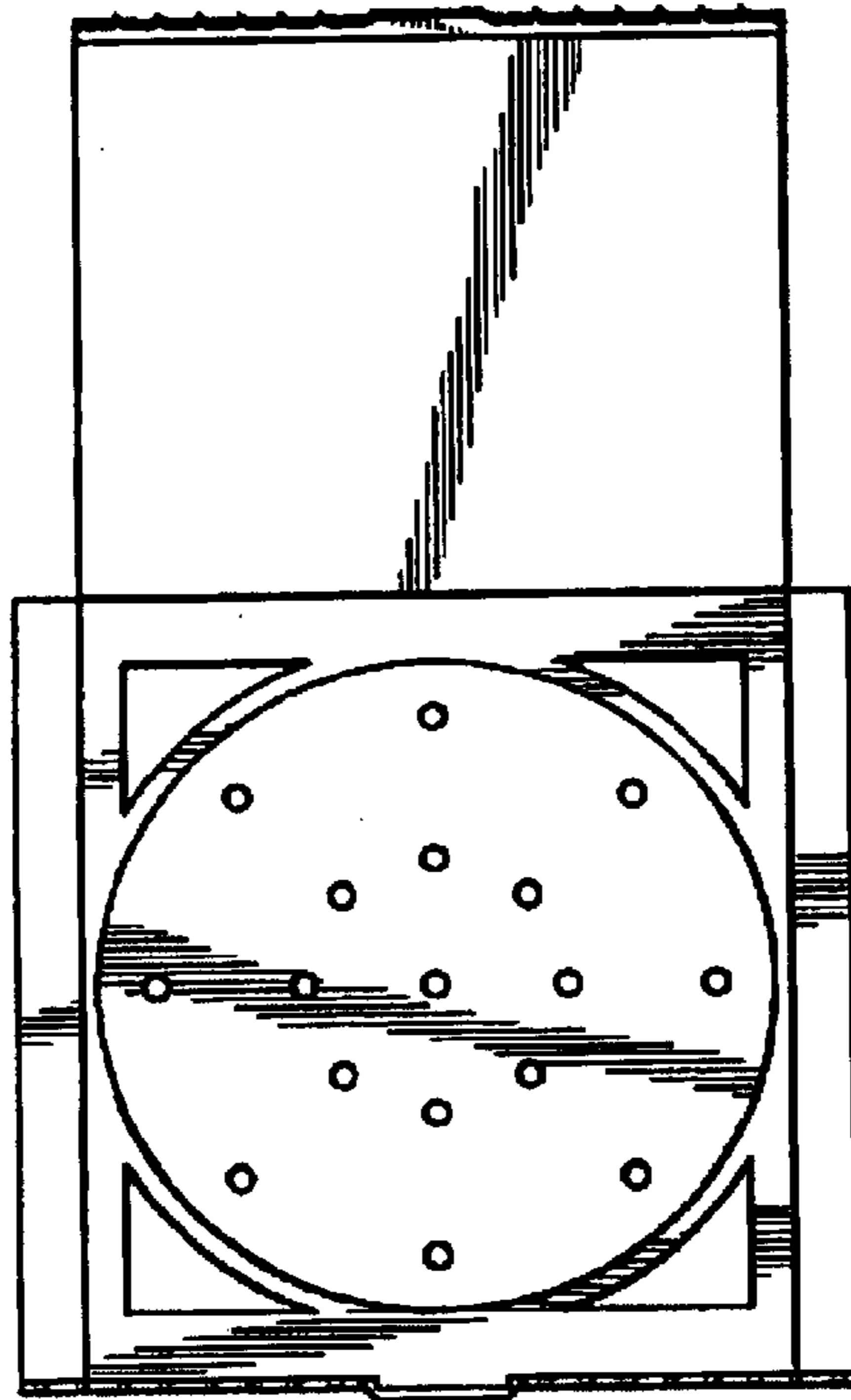
*Fig. 1*



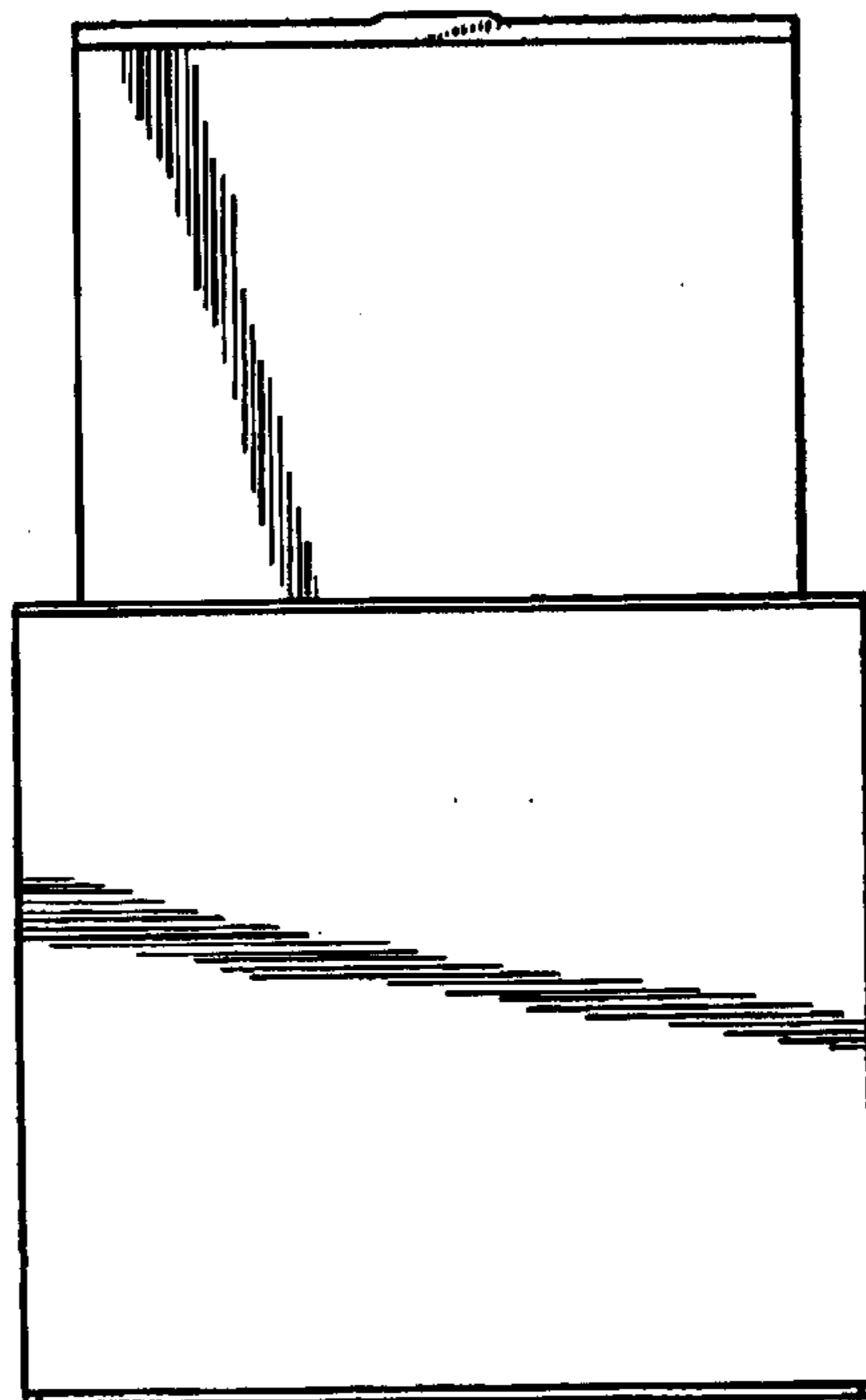
*Fig. 2*



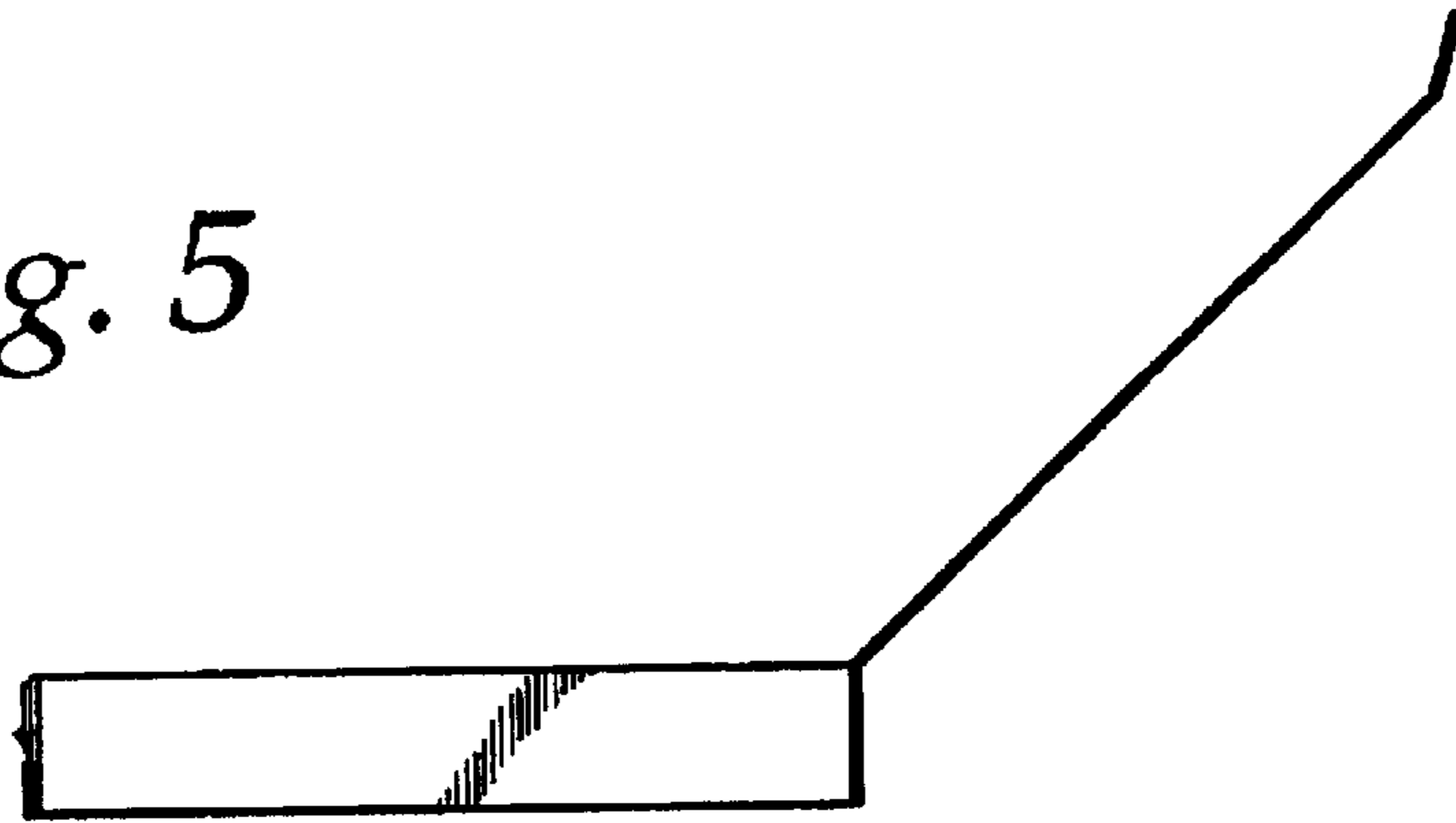
*Fig. 3*



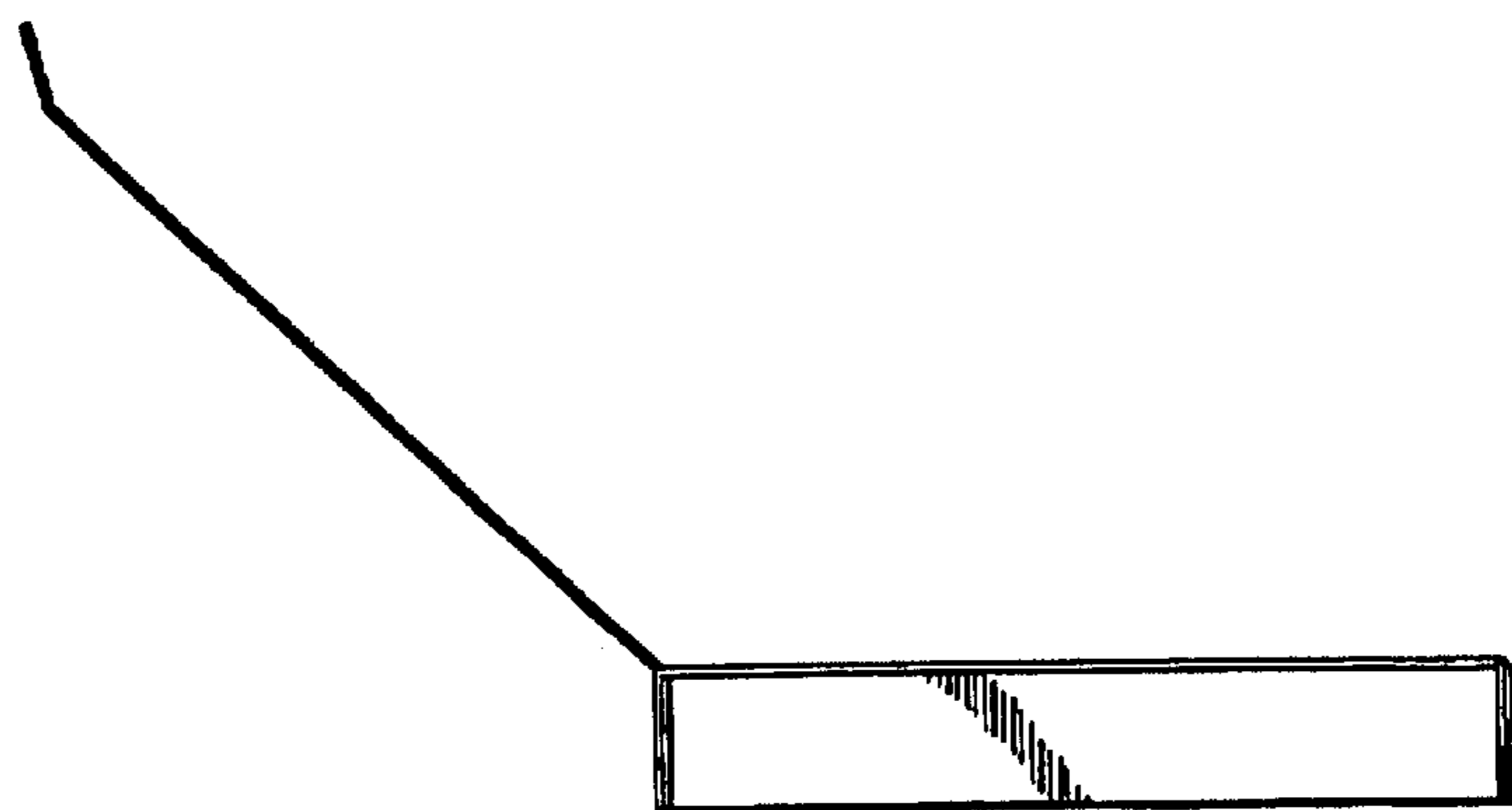
*Fig. 4*



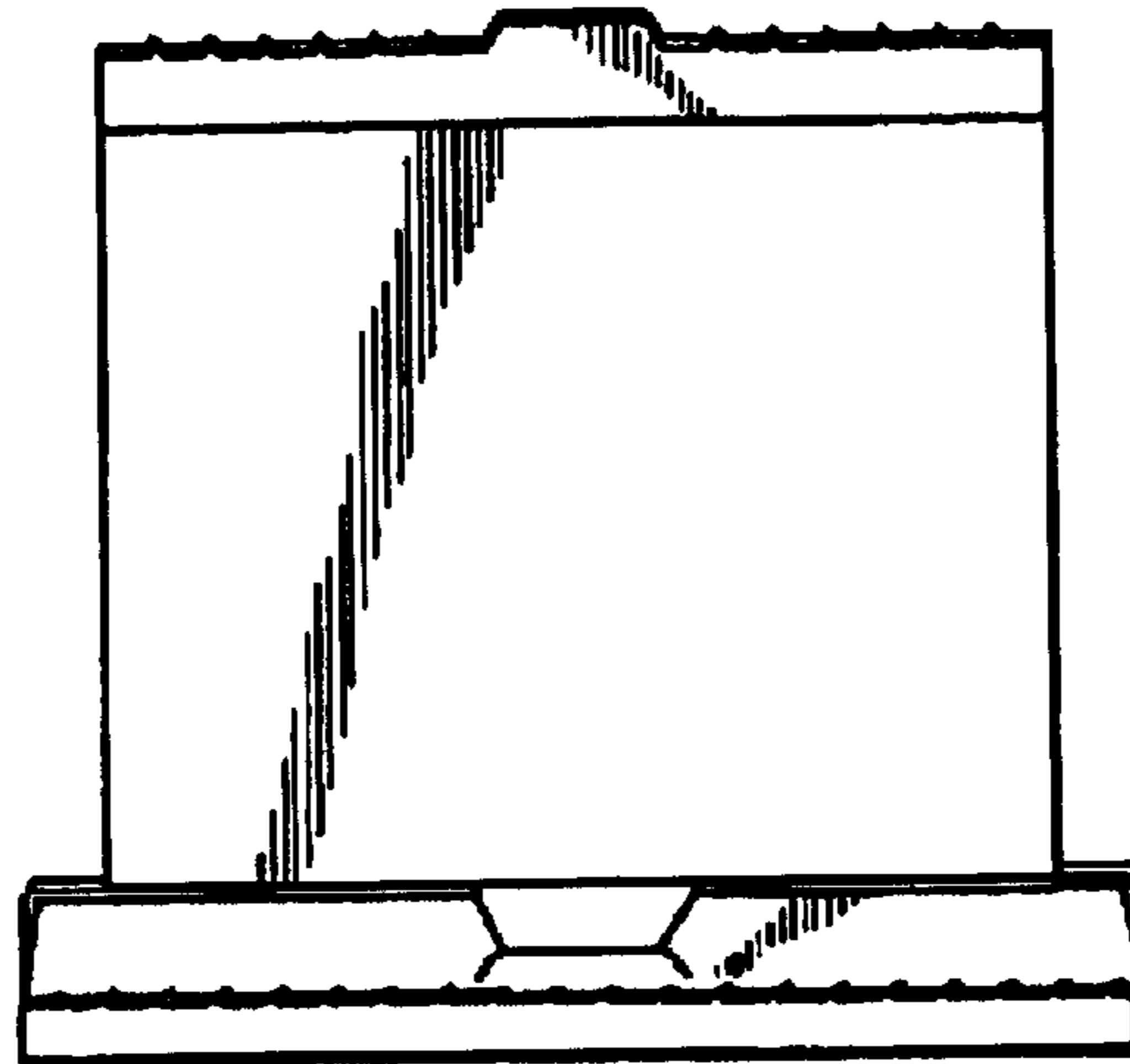
*Fig. 5*



*Fig. 6*



*Fig. 7*



*Fig. 8*

