



US00D511679S

(12) **United States Design Patent**
Malin

(10) **Patent No.:** **US D511,679 S**
(45) **Date of Patent:** **** Nov. 22, 2005**

- (54) **SCREW CLIP**
- (75) Inventor: **Glen K. Malin**, New York, NY (US)
- (73) Assignee: **Allied Bolt, Inc.**, Hollis, NY (US)
- (**) Term: **14 Years**
- (21) Appl. No.: **29/189,701**
- (22) Filed: **Sep. 9, 2003**

- 5,759,049 A 6/1998 Gerber
- D398,218 S 9/1998 Coll et al.
- D400,090 S 10/1998 Coll
- D474,679 S * 5/2003 Malin D8/394
- D481,303 S * 10/2003 Fell et al. D8/395

Related U.S. Application Data

- (63) Continuation-in-part of application No. 29/144,907, filed on Jul. 12, 2001, now Pat. No. Des. 486,728.
- (51) **LOC (8) Cl.** **08-08**
- (52) **U.S. Cl.** **D8/396**
- (58) **Field of Search** D8/354, 371, 394-396,
D8/399; 248/71, 74.1, 214, 300, 222.14,
229.26

References Cited

U.S. PATENT DOCUMENTS

- 1,578,634 A 3/1926 Borgmann
- 1,968,596 A 7/1934 Benander
- 2,545,347 A 3/1951 Embree
- 3,378,806 A 4/1968 Wilkerson et al.
- D239,911 S * 5/1976 Schmidt D8/396
- 4,042,198 A 8/1977 Takeuchi
- 4,667,910 A 5/1987 Atterby et al.
- 4,823,752 A 4/1989 Uuskallio
- D302,655 S 8/1989 Sachs
- D331,358 S * 12/1992 Sachs D8/356
- D342,013 S 12/1993 Sachs
- 5,521,460 A 5/1996 Zhu

OTHER PUBLICATIONS

Telewire Supply Catalog (p. E19) Entitled "Screw & Snaps Clips".

* cited by examiner

Primary Examiner—Louis S. Zarfaz

Assistant Examiner—John Windmuller

(74) *Attorney, Agent, or Firm*—Baker Botts LLP

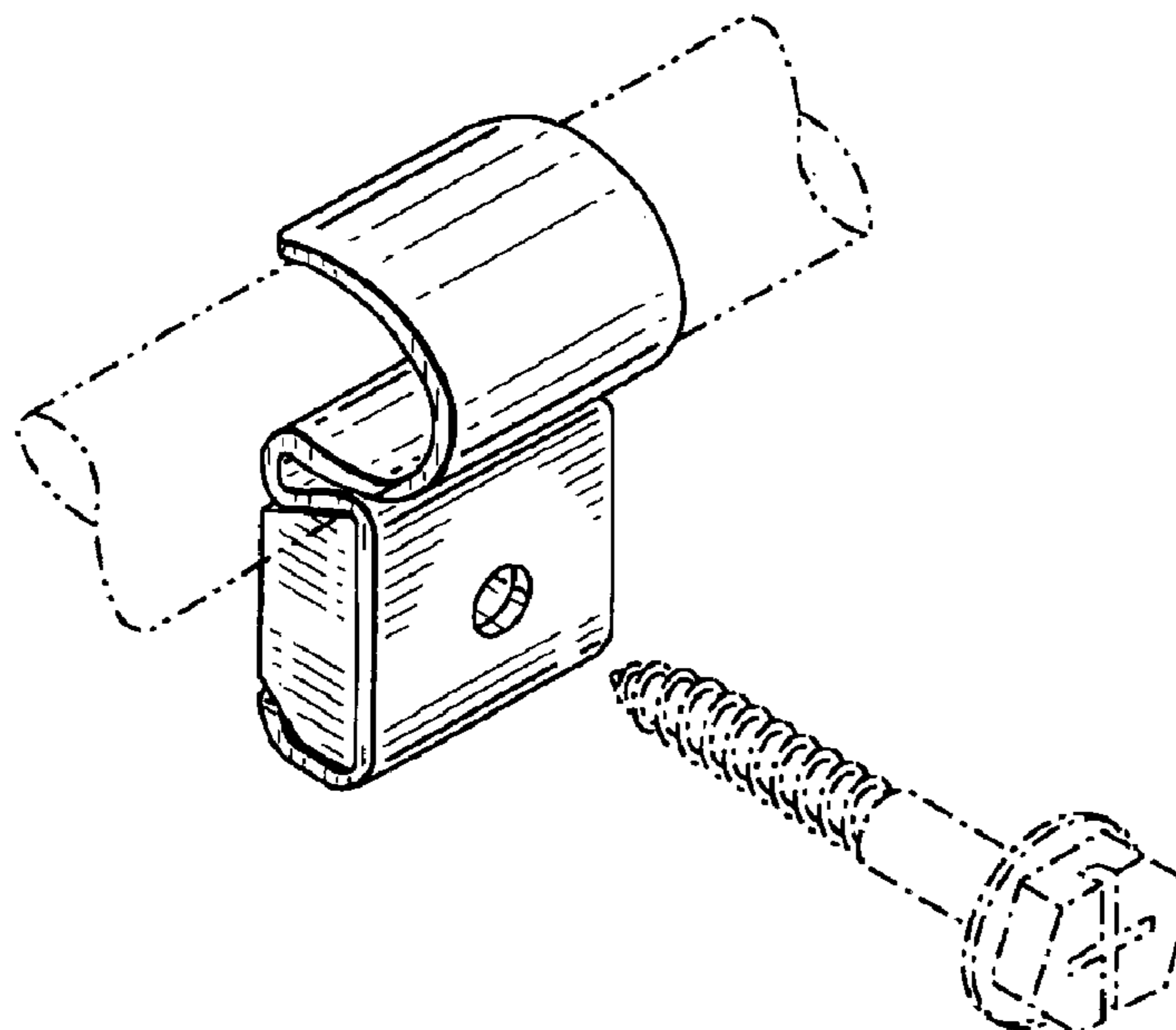
(57) **CLAIM**

The ornamental design for a screw clip, as shown and described.

DESCRIPTION

FIG. 1 is a perspective view of a screw clip showing my new design;
 FIG. 2 is a front elevational view of the screw clip of FIG. 1;
 FIG. 3 is a left-side elevational view of the screw clip of FIG. 1;
 FIG. 4 is a rear elevational view of the screw clip of FIG. 1;
 FIG. 5 is a top plan view of the screw clip of FIG. 1; and,
 FIG. 6 is a bottom plan view of the screw clip of FIG. 1.
 The broken lines are provided for illustrative purposes only and form no part of the claimed design. In addition, the portions of the screw clip that are not shown in the drawing do not form any part of the claimed design.

1 Claim, 1 Drawing Sheet



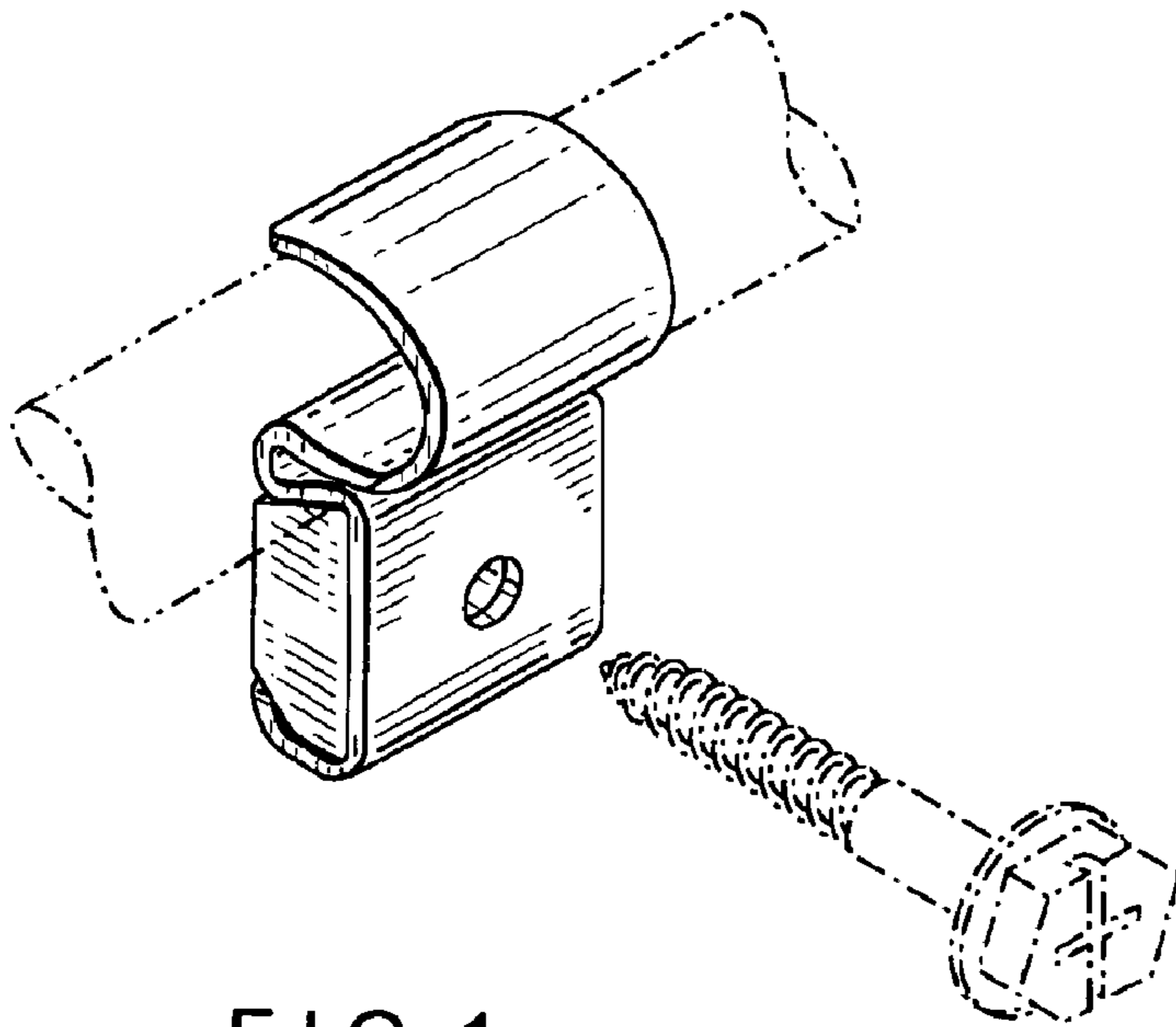


FIG. 1



FIG. 2

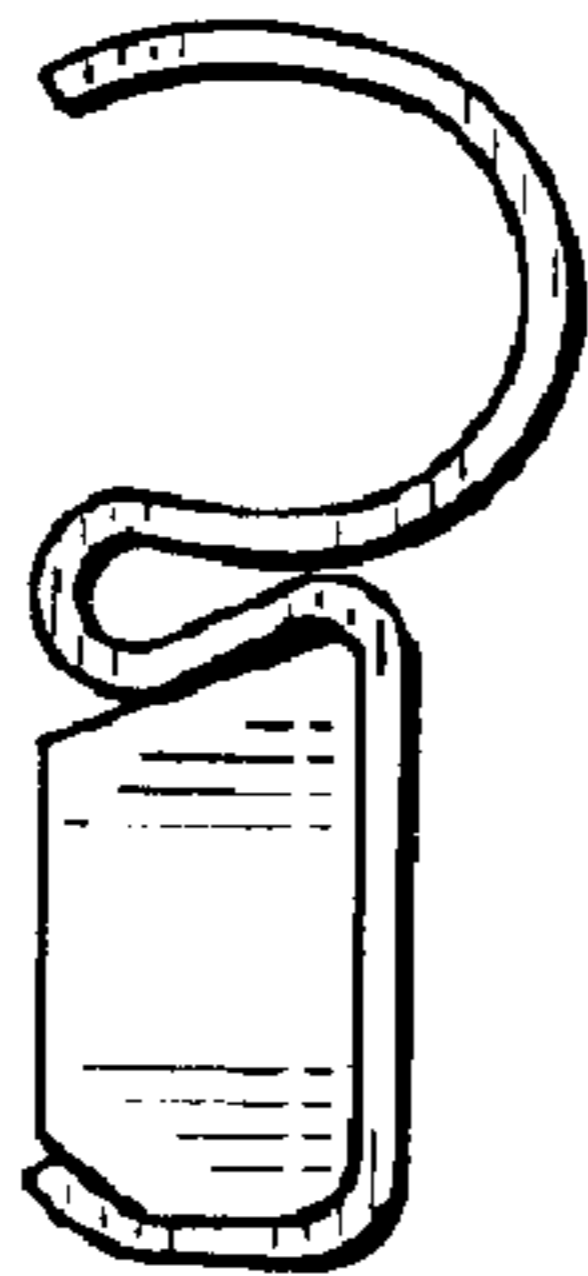


FIG. 3

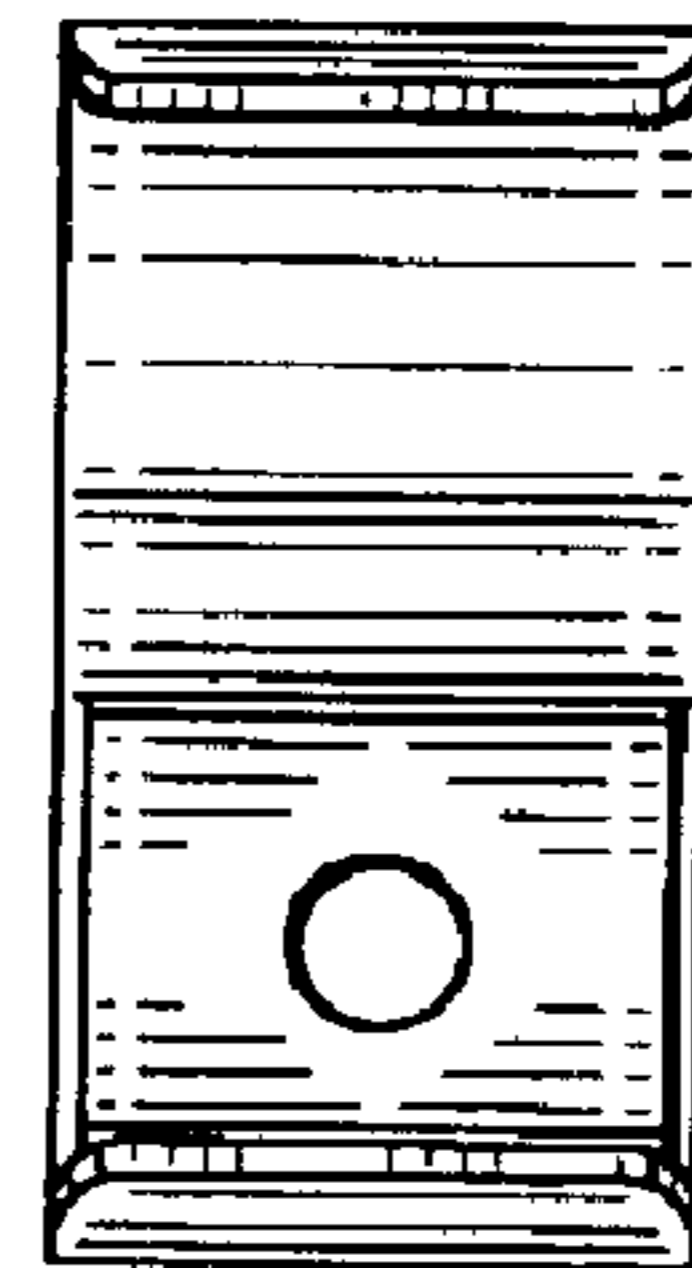


FIG. 4

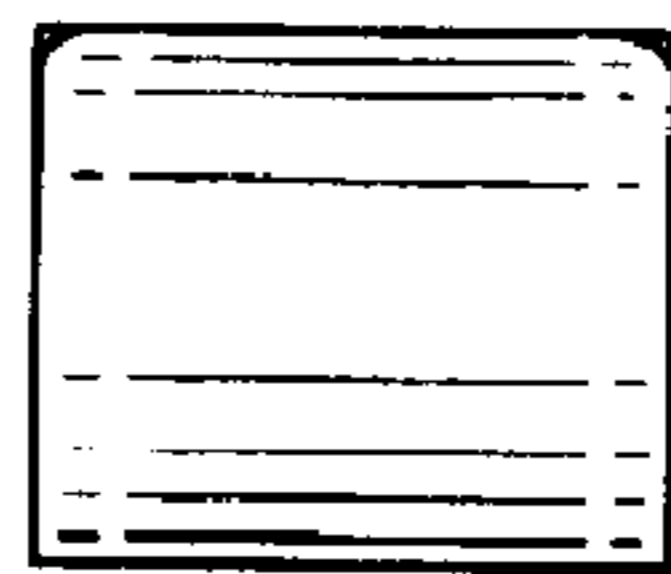


FIG. 5



FIG. 6