



US00D511677S

(12) **United States Design Patent**
DeBiasio, Jr. et al.

(10) **Patent No.:** **US D511,677 S**
(45) **Date of Patent:** **** Nov. 22, 2005**

(54) **BACKPLATE**

(76) Inventors: **Lorenzo DeBiasio, Jr.**, 9 Enfield St.,
Johnston, RI (US) 02919; **Daniel
Lipman**, 5 Taylor Ct., Locust Valley,
NY (US) 11560

(**) Term: **14 Years**

(21) Appl. No.: **29/200,324**

(22) Filed: **Feb. 26, 2004**

(51) **LOC (8) Cl.** **08-05**

(52) **U.S. Cl.** **D8/366; D8/354**

(58) **Field of Search** D8/366, 354, 349,
D8/363; D6/114, 116, 125; 248/220.41,
220.2, 220.3, 220.4, 302; 211/59.1, 87,
105.1

(56) **References Cited**

U.S. PATENT DOCUMENTS

3,216,584	A	*	11/1965	Sedo	248/220.41
3,724,792	A	*	4/1973	Thalenfeld	248/220.41
D272,414	S	*	1/1984	Barnes	D8/363
6,378,828	B1	*	4/2002	Valiulis et al.	211/59.1
D467,792	S	*	12/2002	Zadak et al.	D8/354
D470,395	S	*	2/2003	Valiulis et al.	D8/354

* cited by examiner

Primary Examiner—Ruth McInroy
Assistant Examiner—Terrence Huang

(74) *Attorney, Agent, or Firm*—Cantor Colburn LLP

(57) **CLAIM**

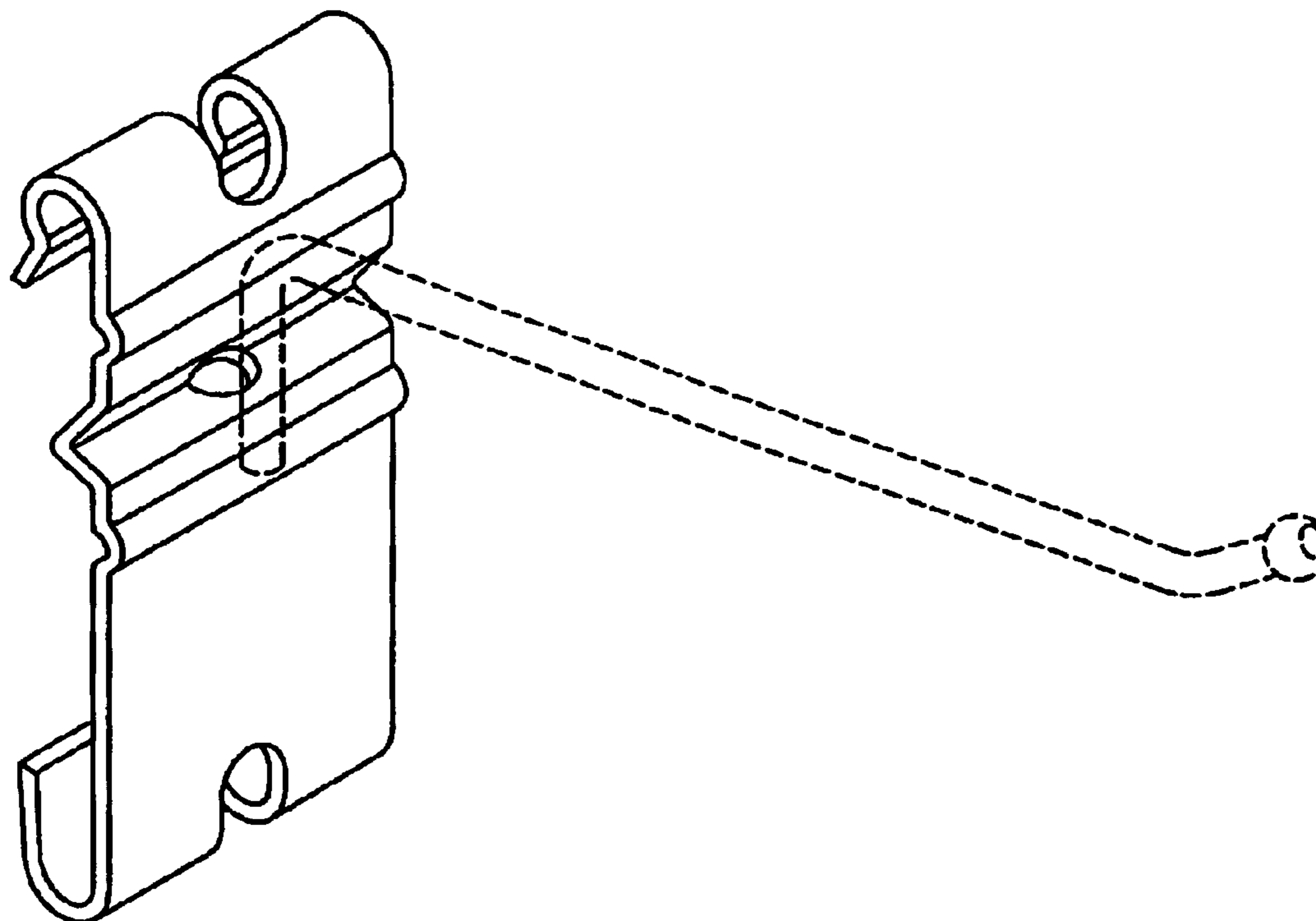
The ornamental design for a backplate, as shown and described.

DESCRIPTION

FIG. 1 is a front perspective view of a backplate showing my new design, with a hook affixed thereto;
FIG. 2 is a rear perspective view thereof, with a hook affixed thereto;
FIG. 3 is a left side elevational view thereof;
FIG. 4 is a right side elevational view thereof;
FIG. 5 is a front plan view thereof;
FIG. 6 is a rear plan view thereof;
FIG. 7 is a top plan view thereof; and,
FIG. 8 is a bottom plan view thereof.

The hook shown in broken lines in FIGS. 1 and 2 is included for illustrative purpose only and form no part of the claimed design.

1 Claim, 3 Drawing Sheets



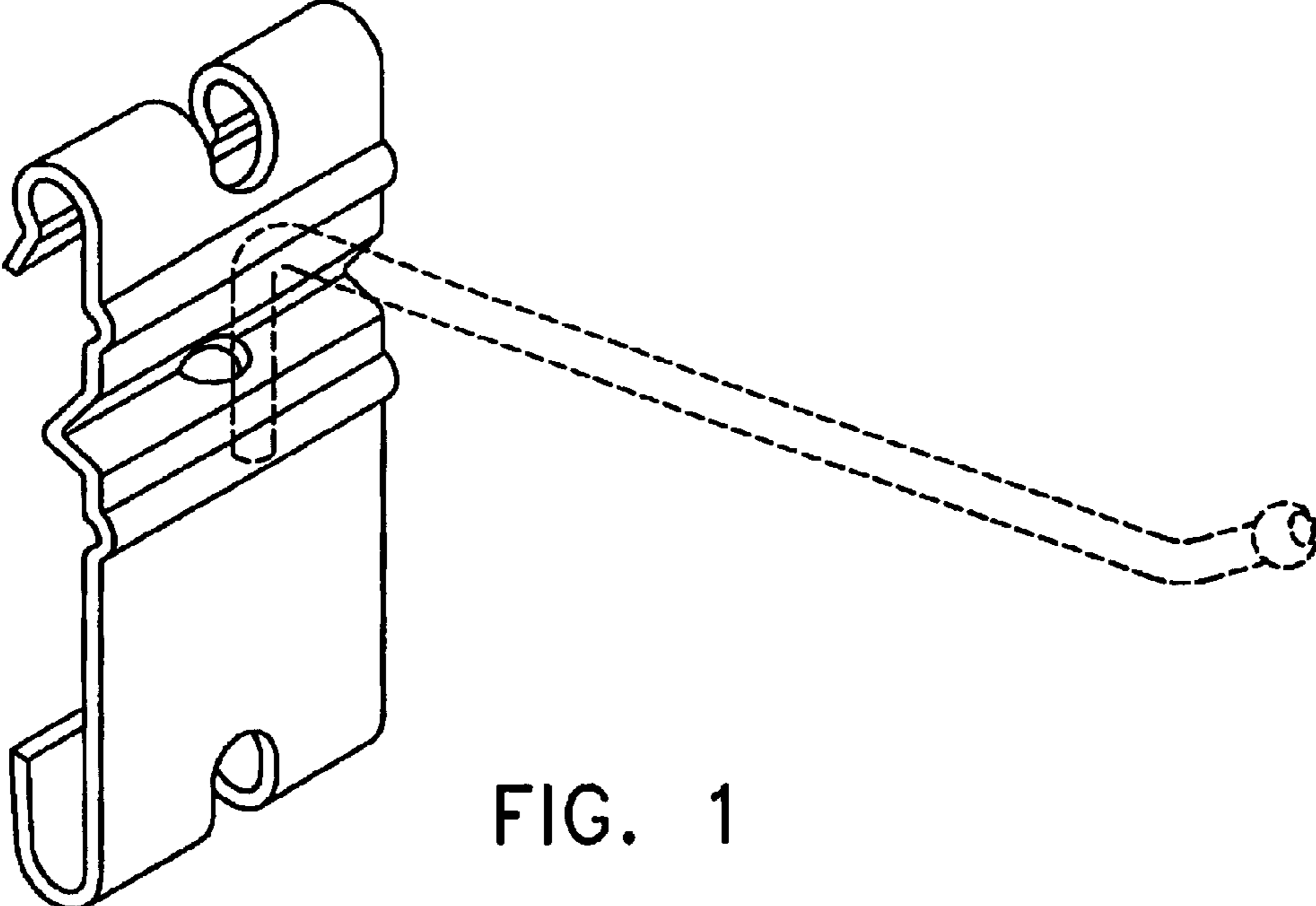


FIG. 1

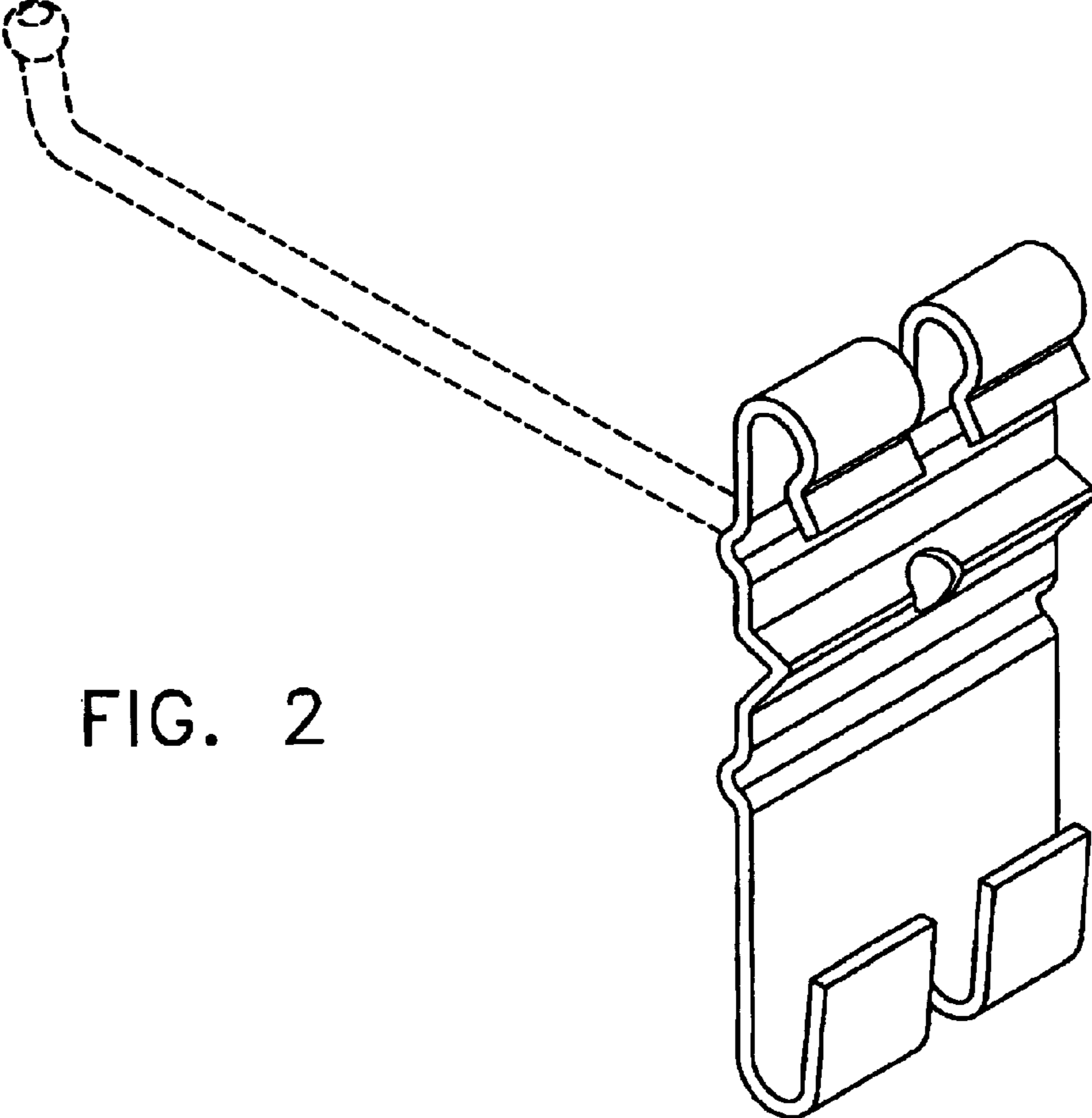


FIG. 2



FIG. 3

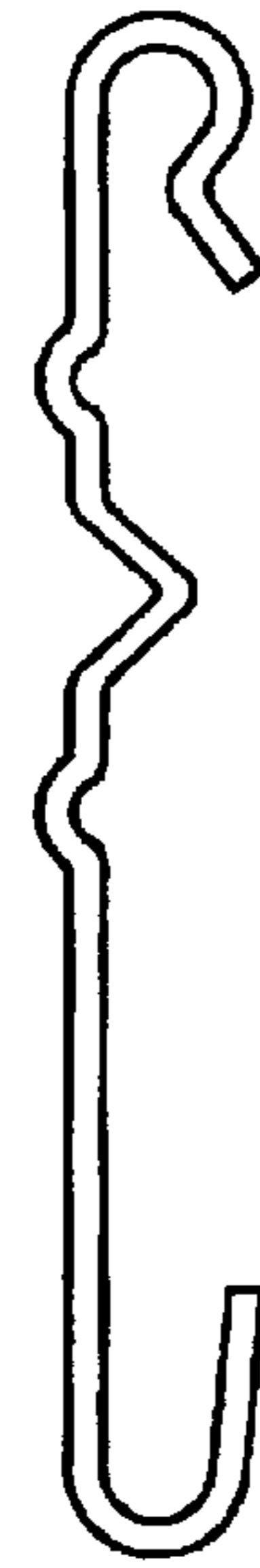


FIG. 4

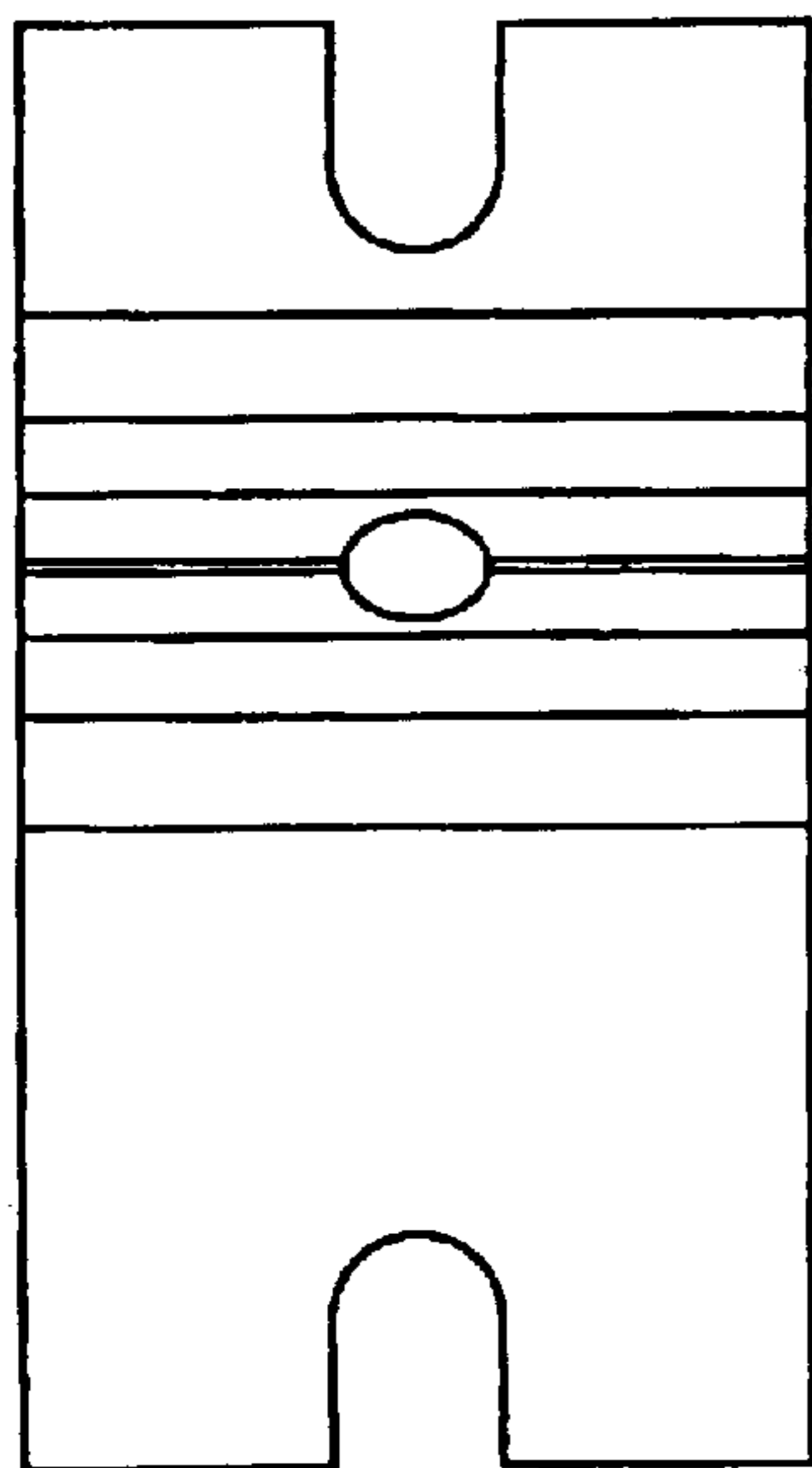


FIG. 5

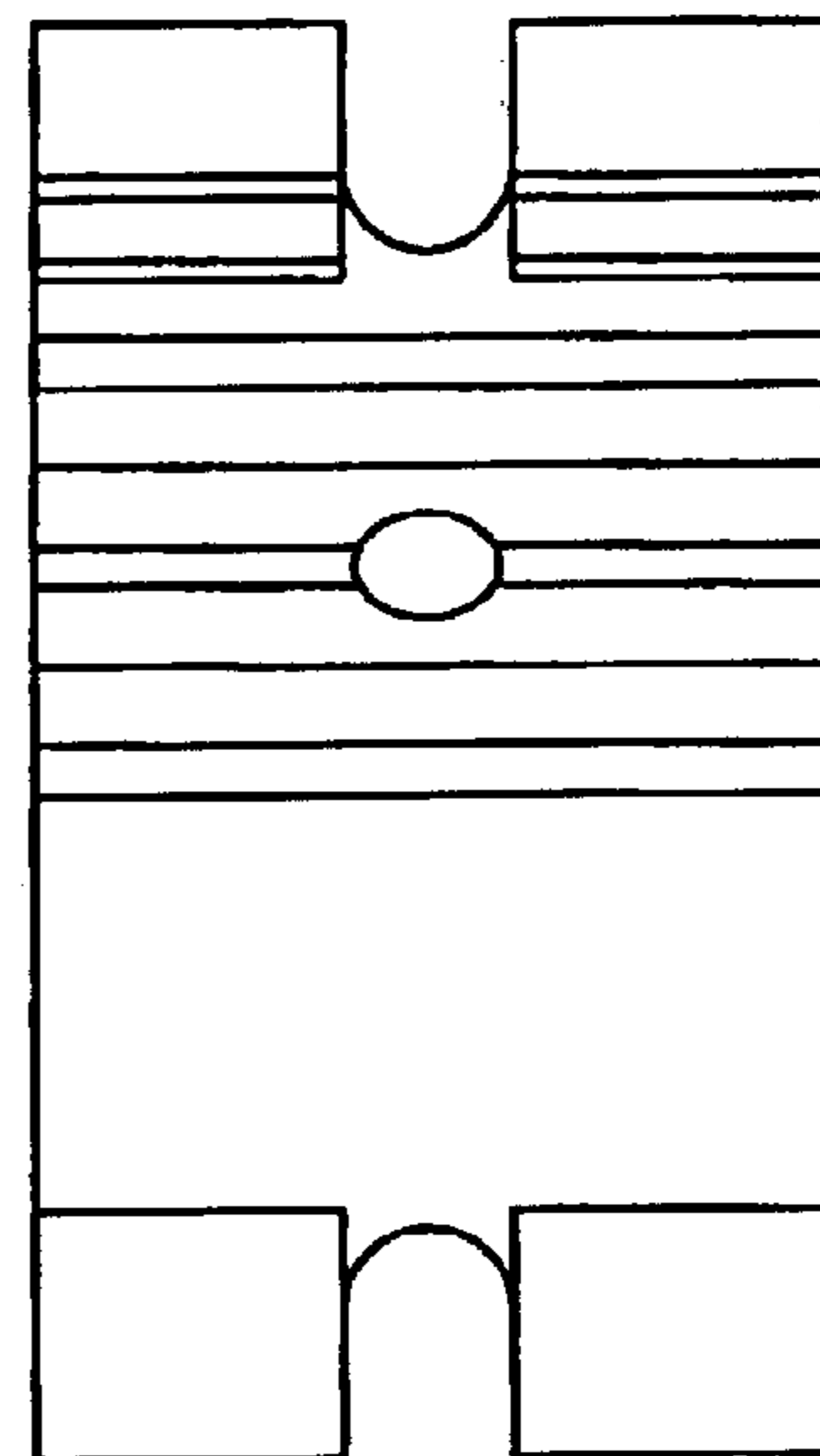


FIG. 6

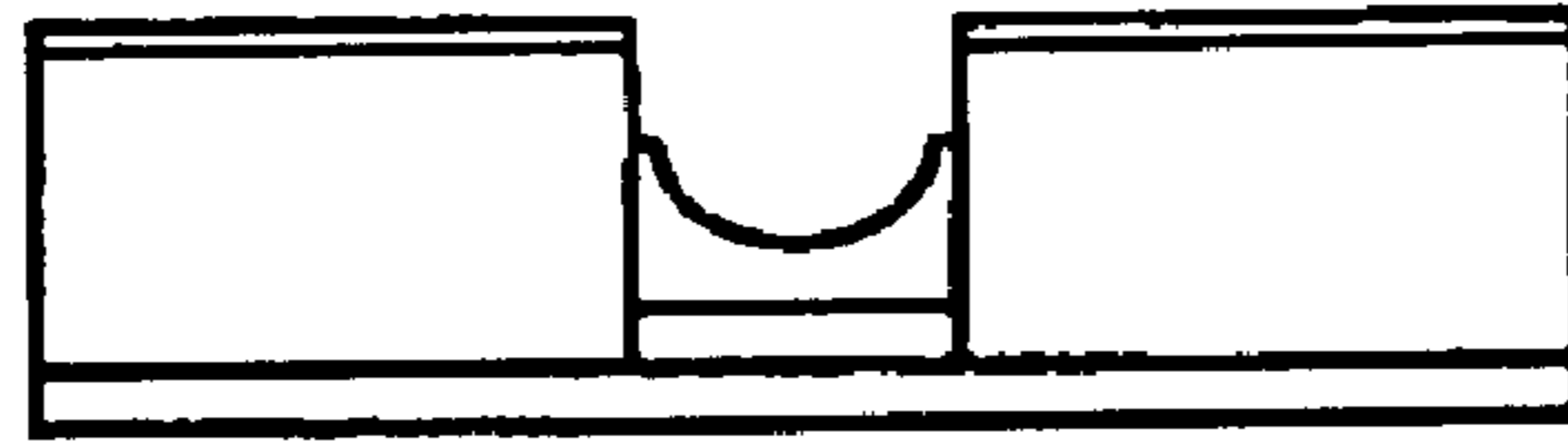


FIG. 7

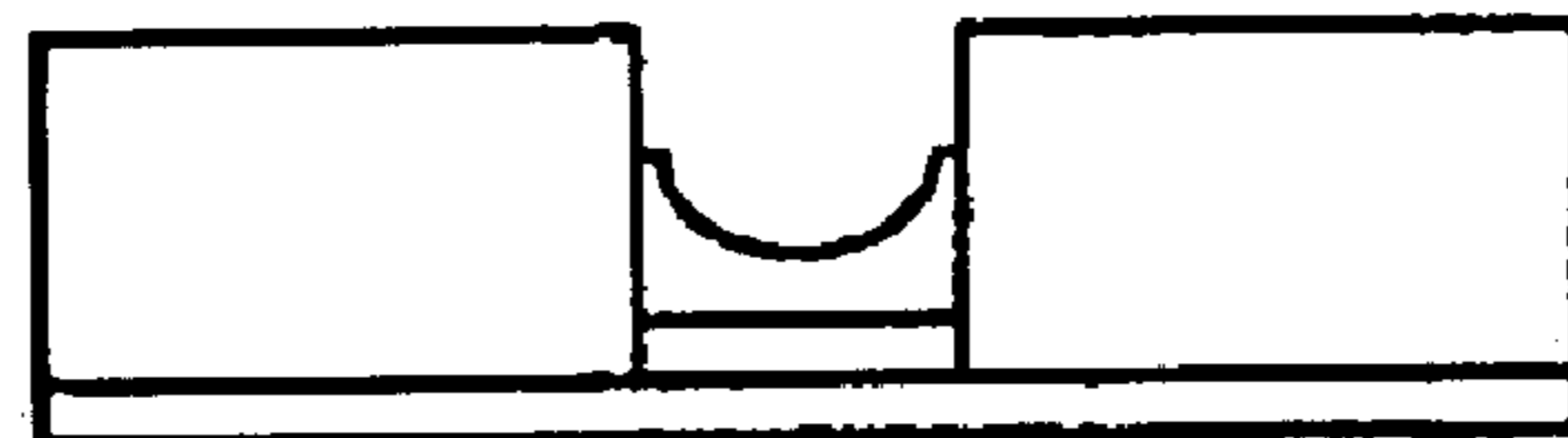


FIG. 8