



US00D511674S

(12) **United States Design Patent**
Myers et al.

(10) **Patent No.: US D511,674 S**
(45) **Date of Patent: ** Nov. 22, 2005**

(54) **LOCK SHELL**

(75) Inventors: **Gary L. Myers**, Monee, IL (US);
Richard Paeth, St. Charles, IL (US);
Catalin Captarencu, Wheeling, IL
(US); **Calin V. Roatis**, Long Grove, IL
(US)

(73) Assignee: **TriTeq Lock and Security, L.L.C.**, Elk
Grove, IL (US)

(**) Term: **14 Years**

(21) Appl. No.: **29/195,748**

(22) Filed: **Dec. 17, 2003**

(51) **LOC (8) Cl.** **08-07**

(52) **U.S. Cl.** **D8/343; D8/331**

(58) **Field of Search** D8/330, 331, 343,
D8/339, 341, 301, 302; 70/77-79, 57, 58,
89, 158, 447, 448, 230, 372, 431; 292/307,
DIG. 11

(56) **References Cited**

U.S. PATENT DOCUMENTS

4,442,341 A * 4/1984 Lesquereux et al. 219/201
D350,686 S * 9/1994 Myers D8/343

5,435,159 A * 7/1995 Ramsauer 70/370
5,479,800 A * 1/1996 Myers 70/365
D410,190 S * 5/1999 Freck D8/331
D435,781 S * 1/2001 Freck D8/338
D469,680 S * 2/2003 Laabs et al. D8/343
D482,596 S * 11/2003 Laabs et al. D8/343
D494,839 S * 8/2004 Ford D8/343

* cited by examiner

Primary Examiner—Prabhakar Deshmukh

(74) *Attorney, Agent, or Firm*—Leydig, Voit & Mayer, Ltd.

(57) **CLAIM**

The ornamental design for a lock shell, substantially as
shown and described.

DESCRIPTION

FIG. 1 is a front, side and right perspective view of a lock
shell showing our new design. The dotted line portions are
for reference only and do not form a part of our design;

FIG. 2 is a top plan view thereof;

FIG. 3 is a front elevational view thereof;

FIG. 4 is a rear elevational view thereof;

FIG. 5 is a left side plan view thereof; and,

FIG. 6 is a right side plan view thereof.

1 Claim, 1 Drawing Sheet

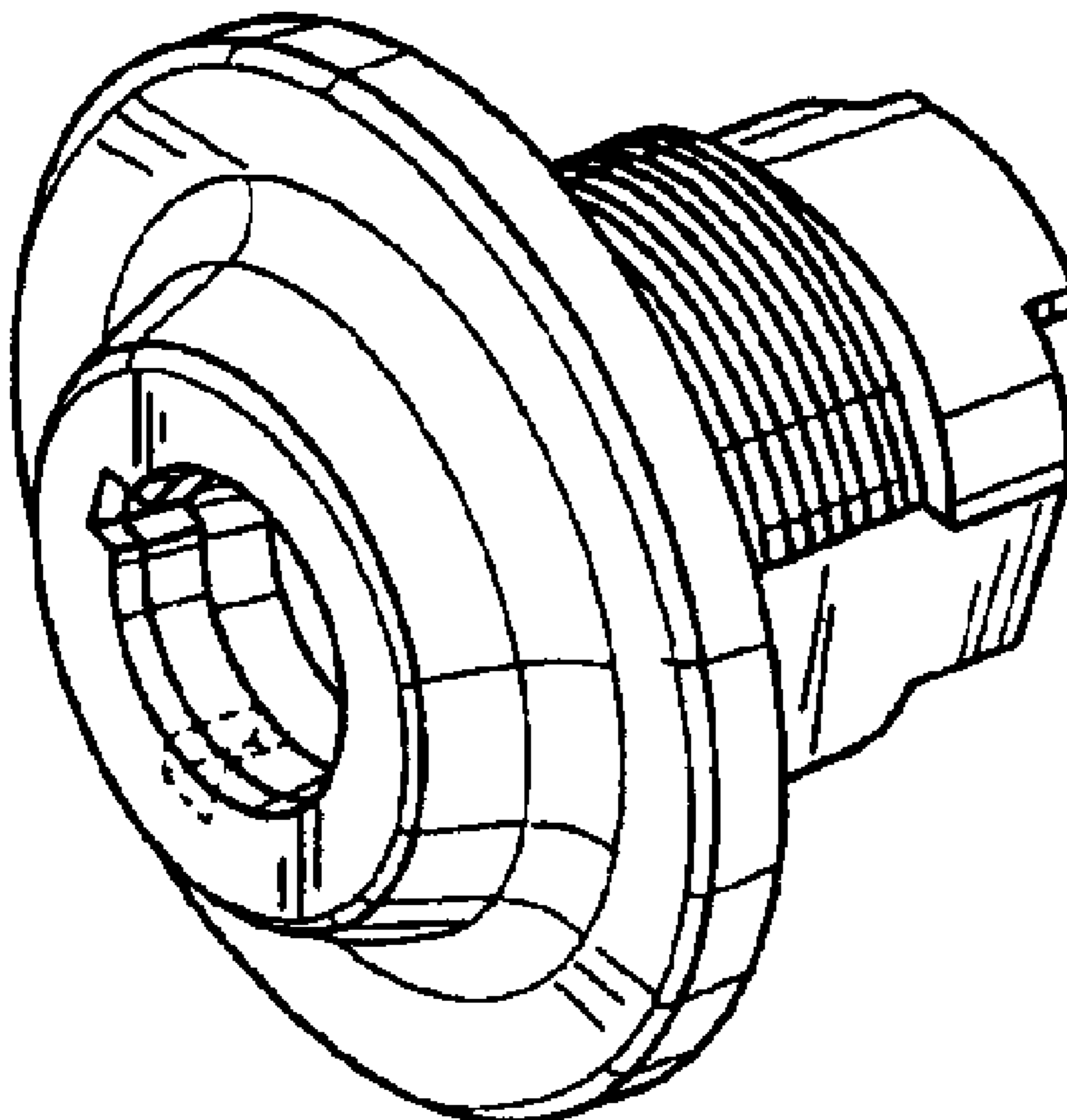


FIG. 1

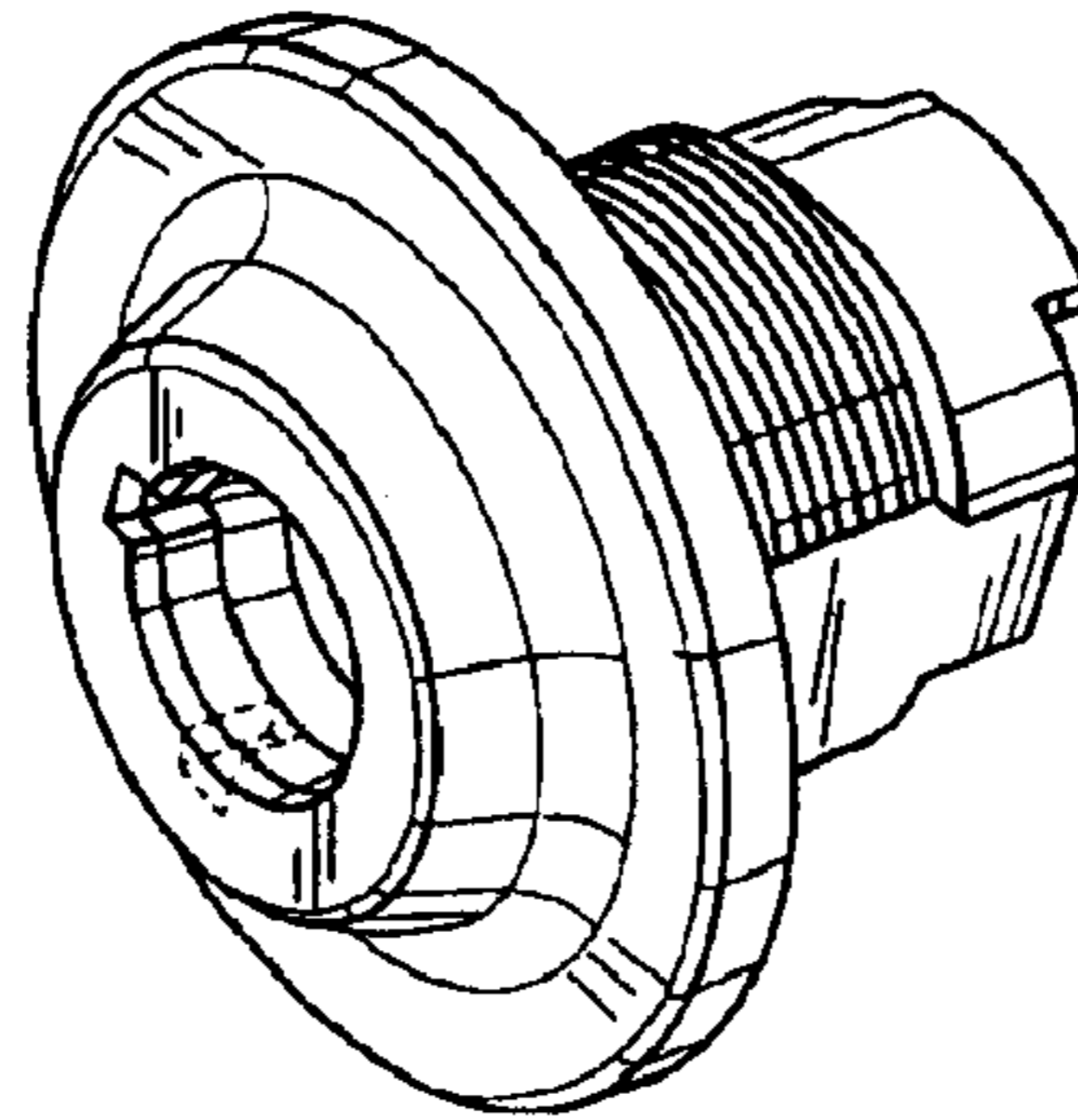


FIG. 5

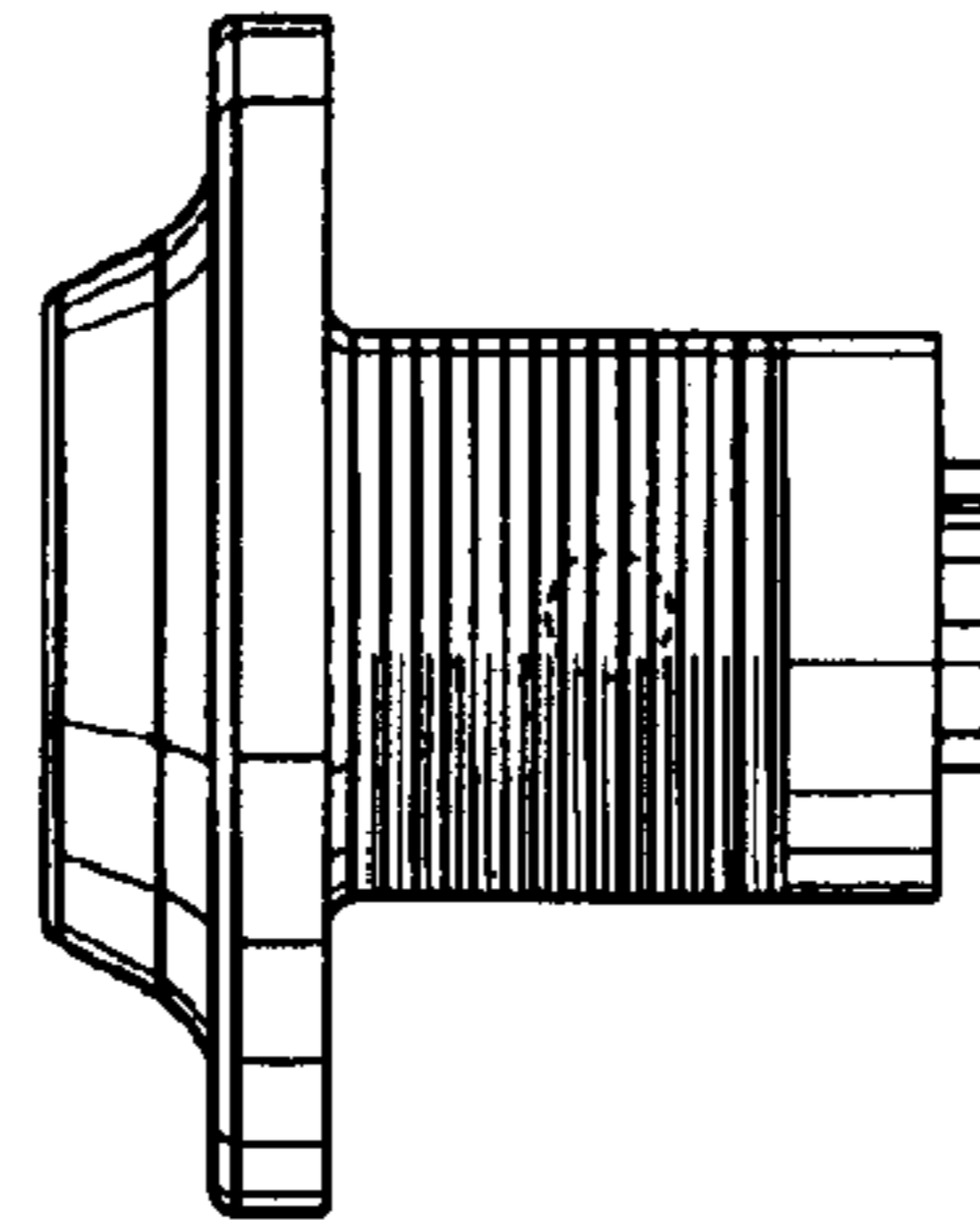


FIG. 3

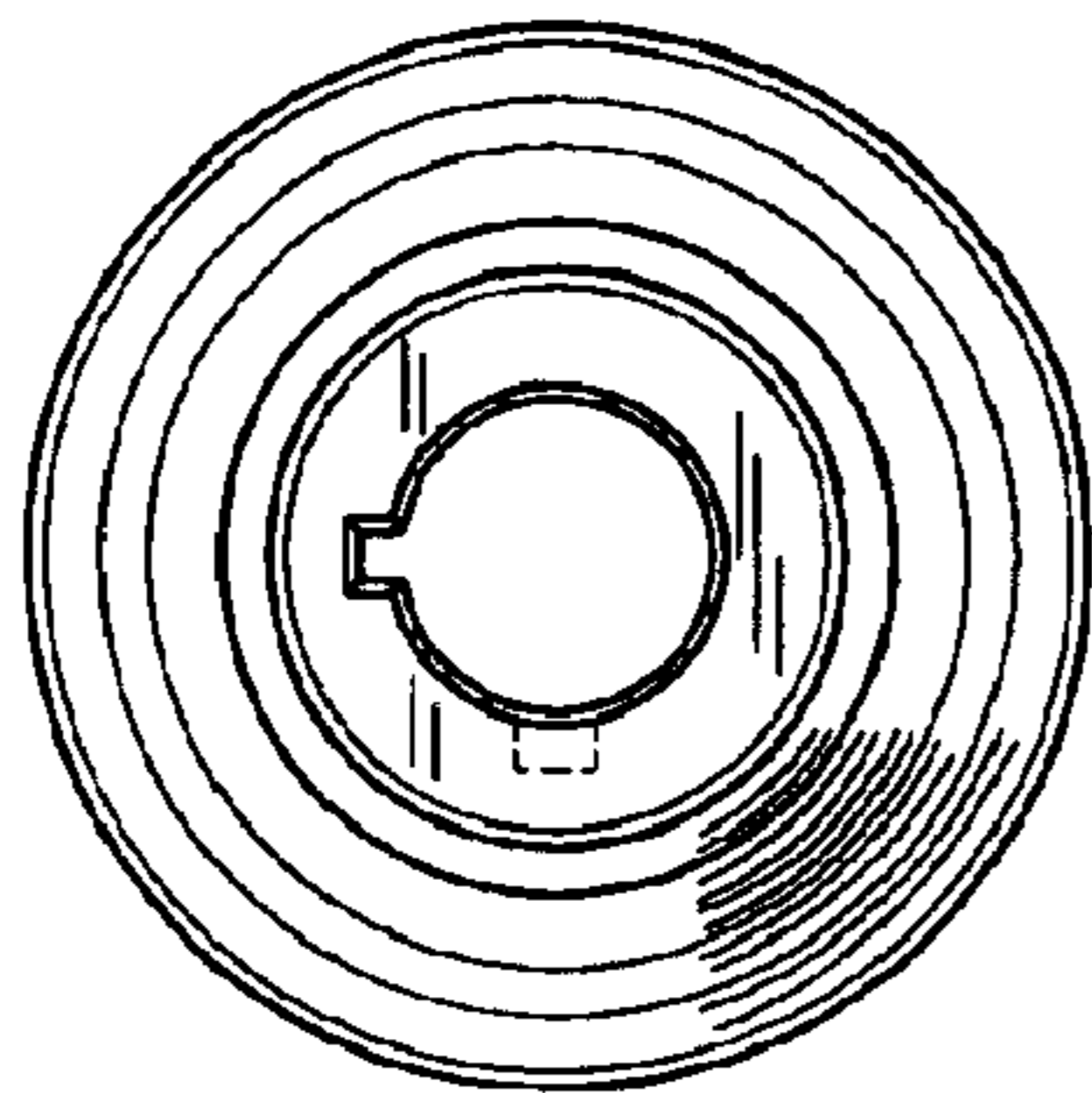


FIG. 2

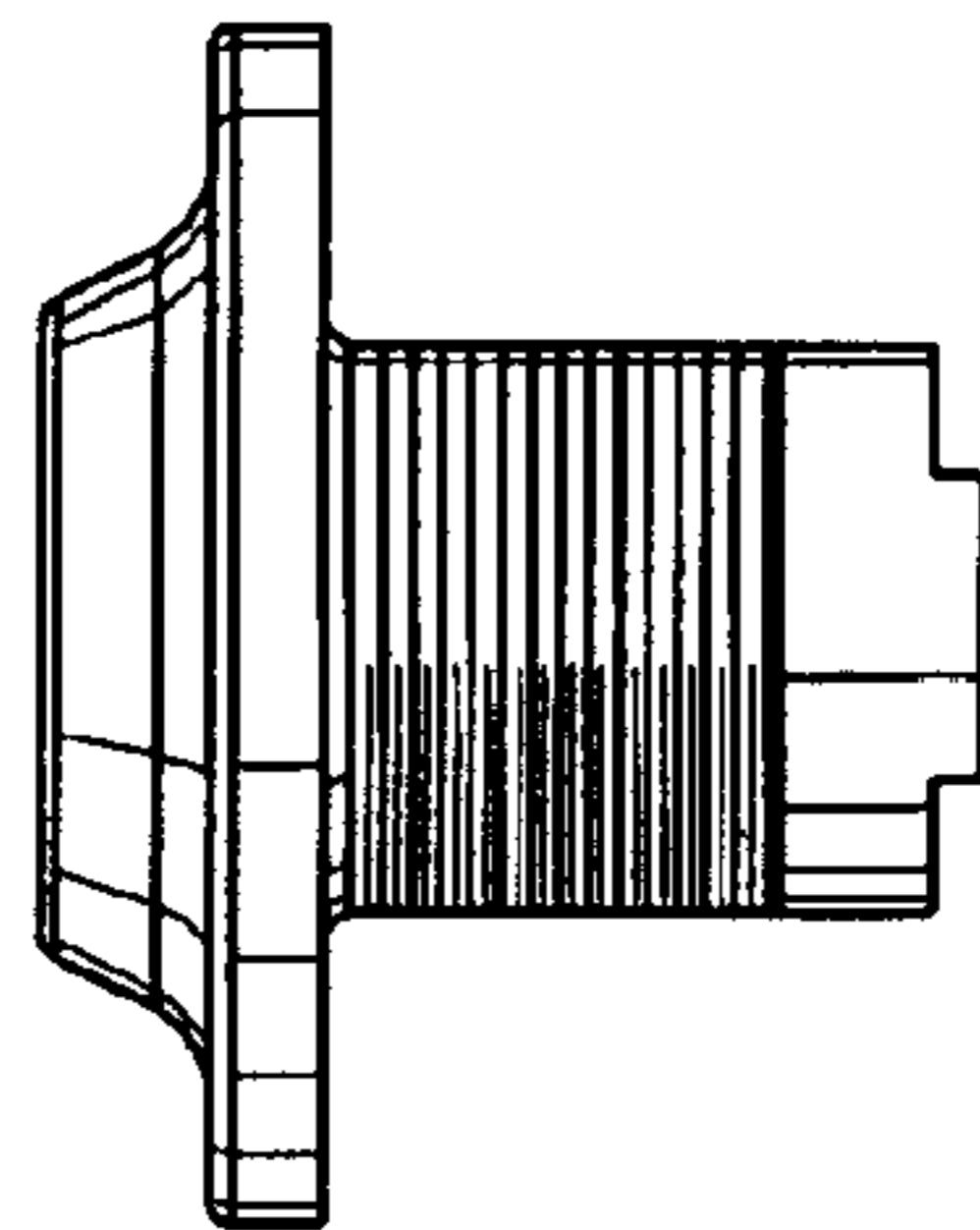


FIG. 4

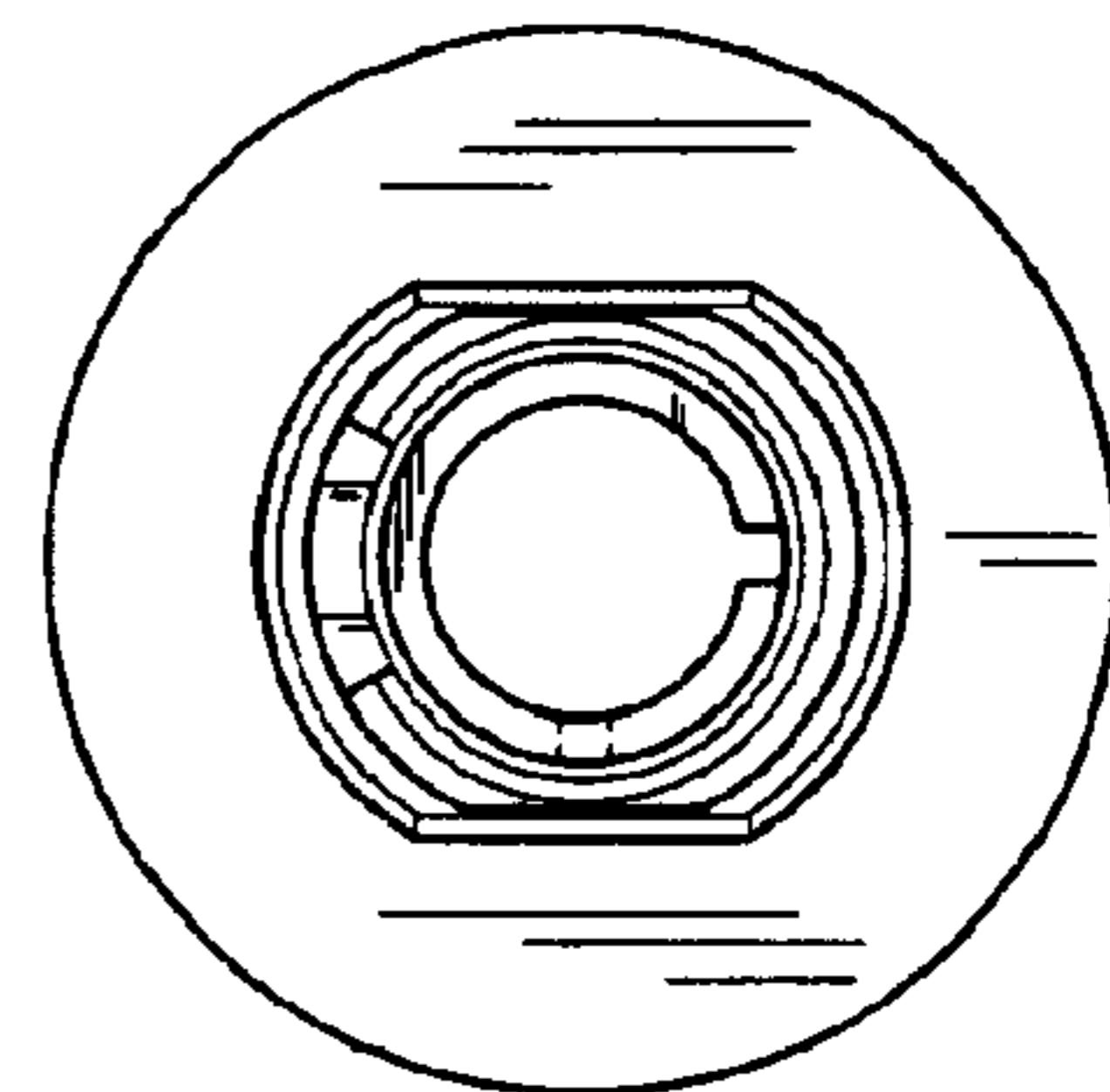


FIG. 6

